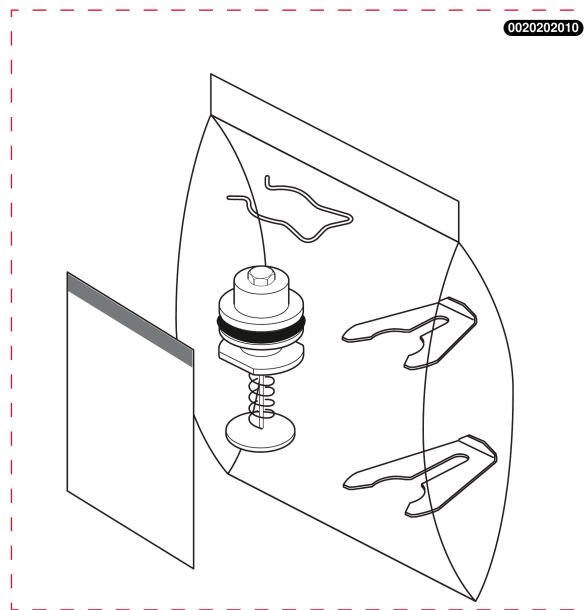


Accessoires

Kit bypass anti coup de belier
- Kit bypass



SP_01

Accessoires

Kit bypass anti coup de belier
- Kit bypass

Pos.	Référence	Désignation	Remarque
	0020202010	Kit, bypass anti coup de belier	