

## SPARE PARTS EXPLODED VIEW GAS BURNERS

Model

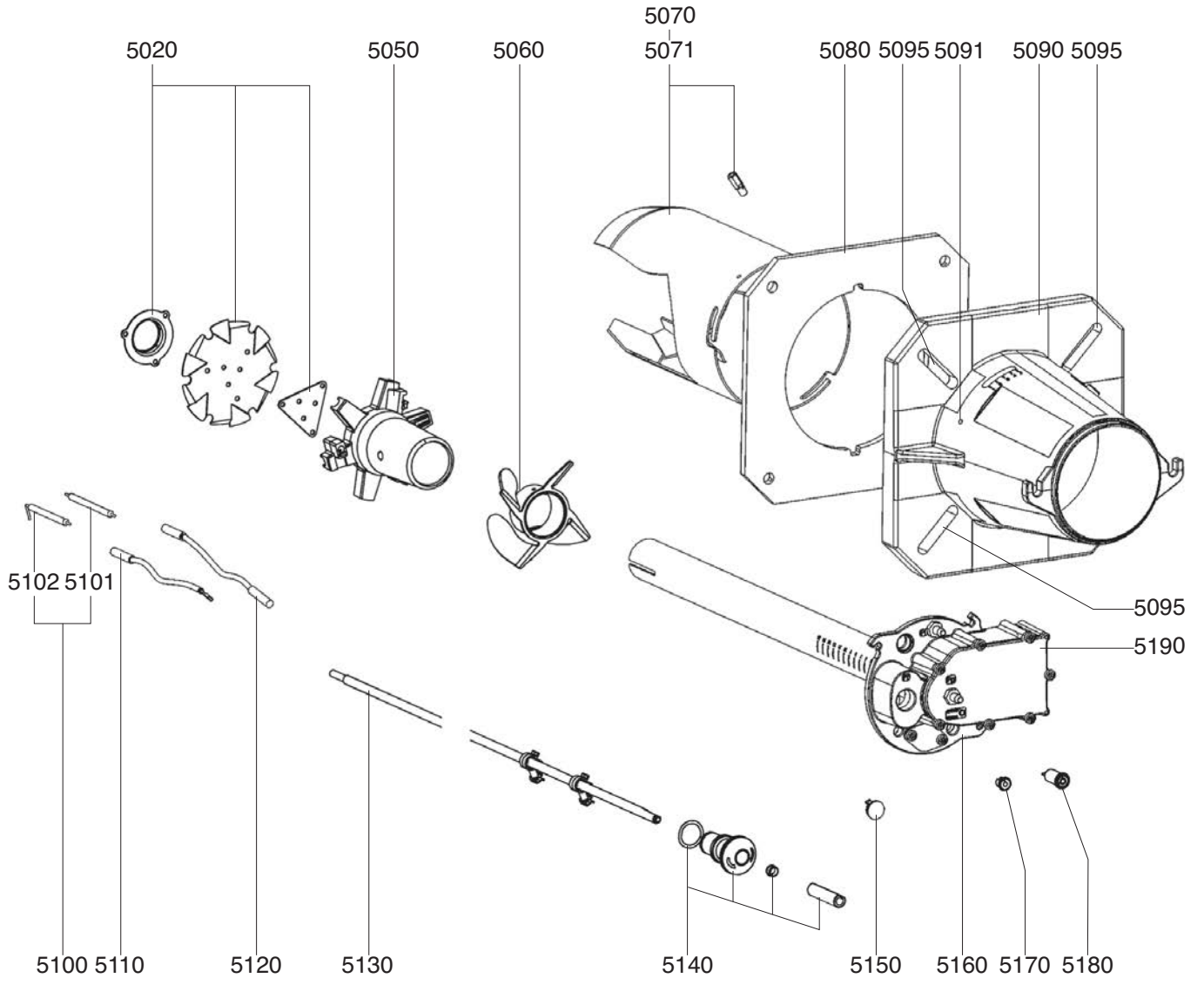
**C43, C54 GX507/8**

R8220230-01 - 26/01/2018

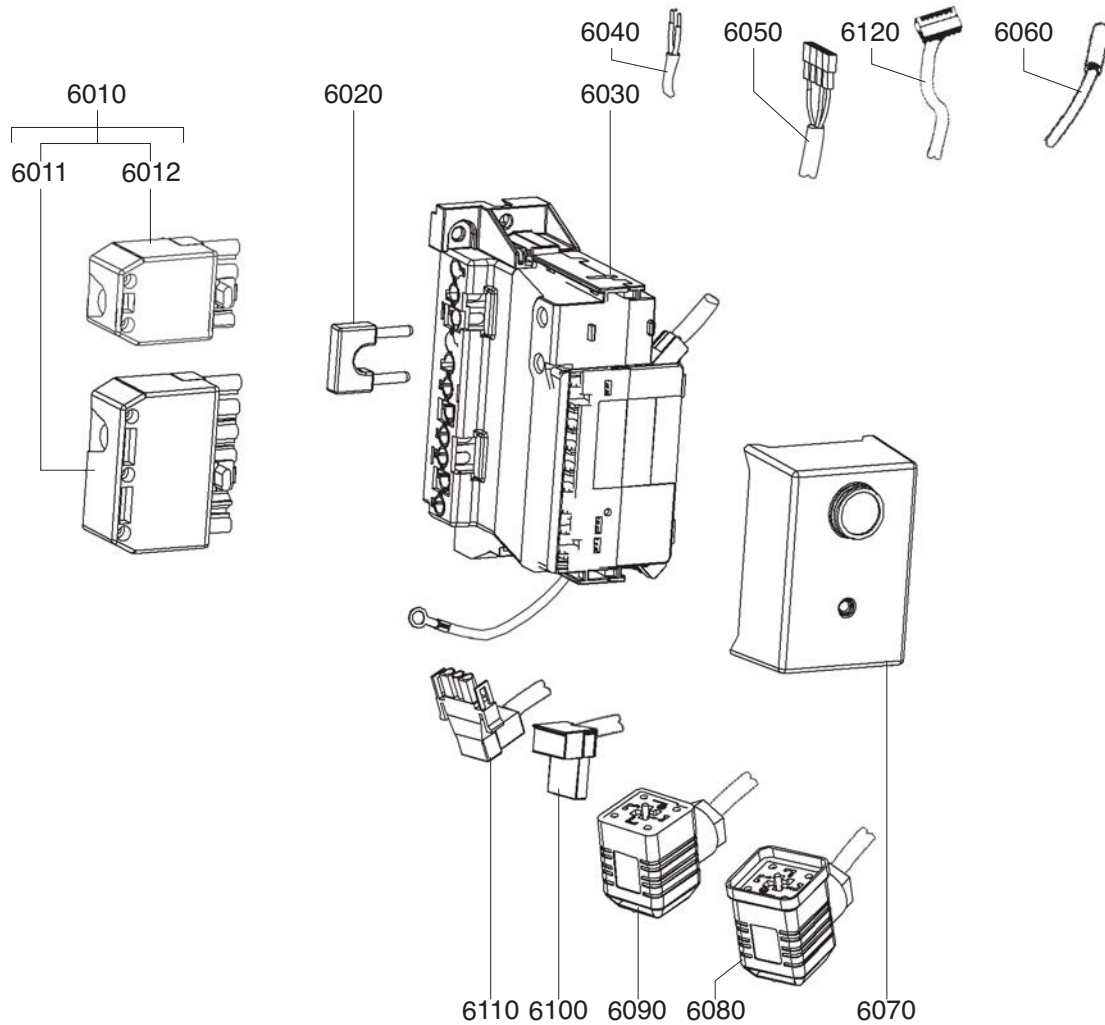
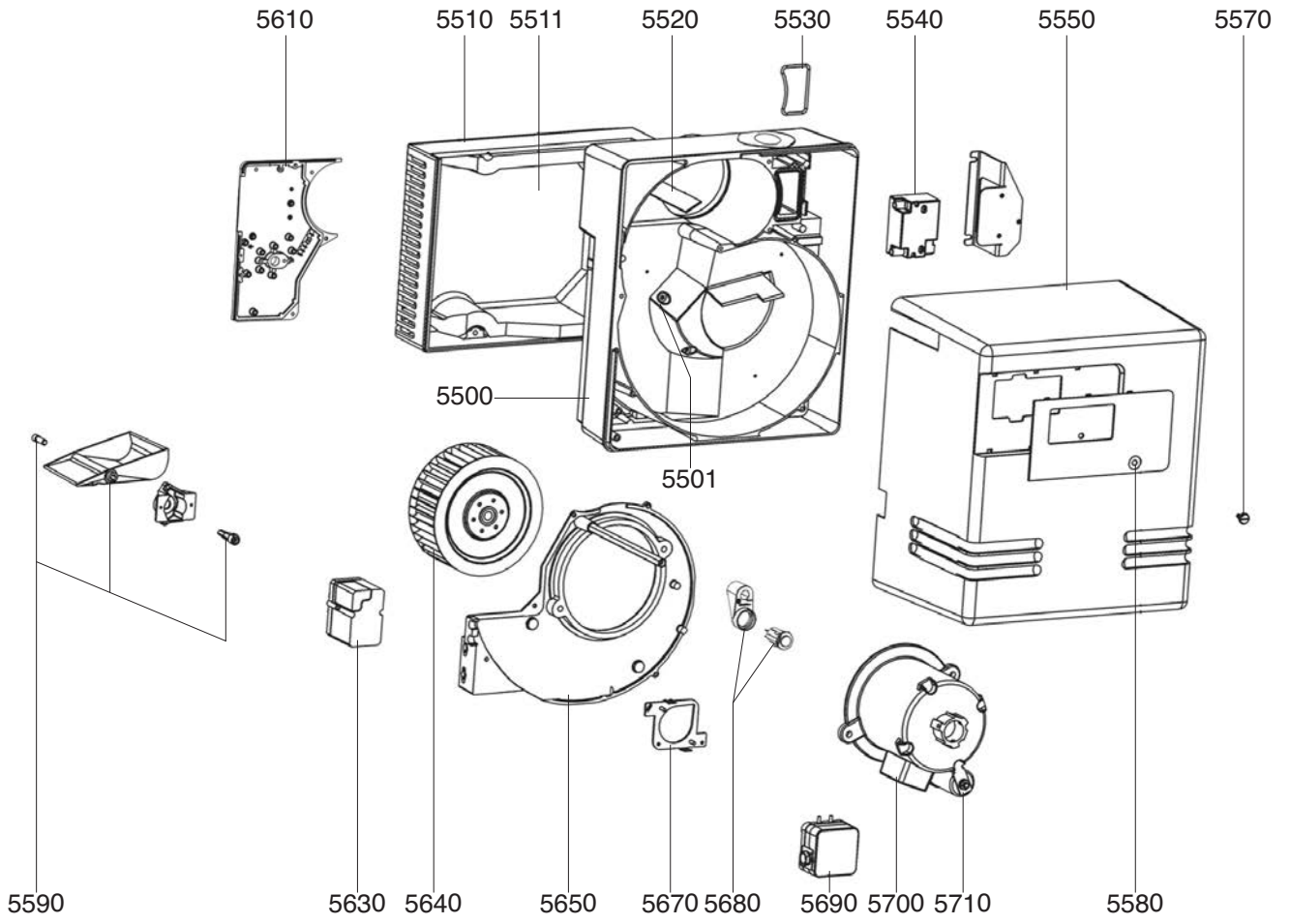
C43, C54 GX507/8

Gas burners

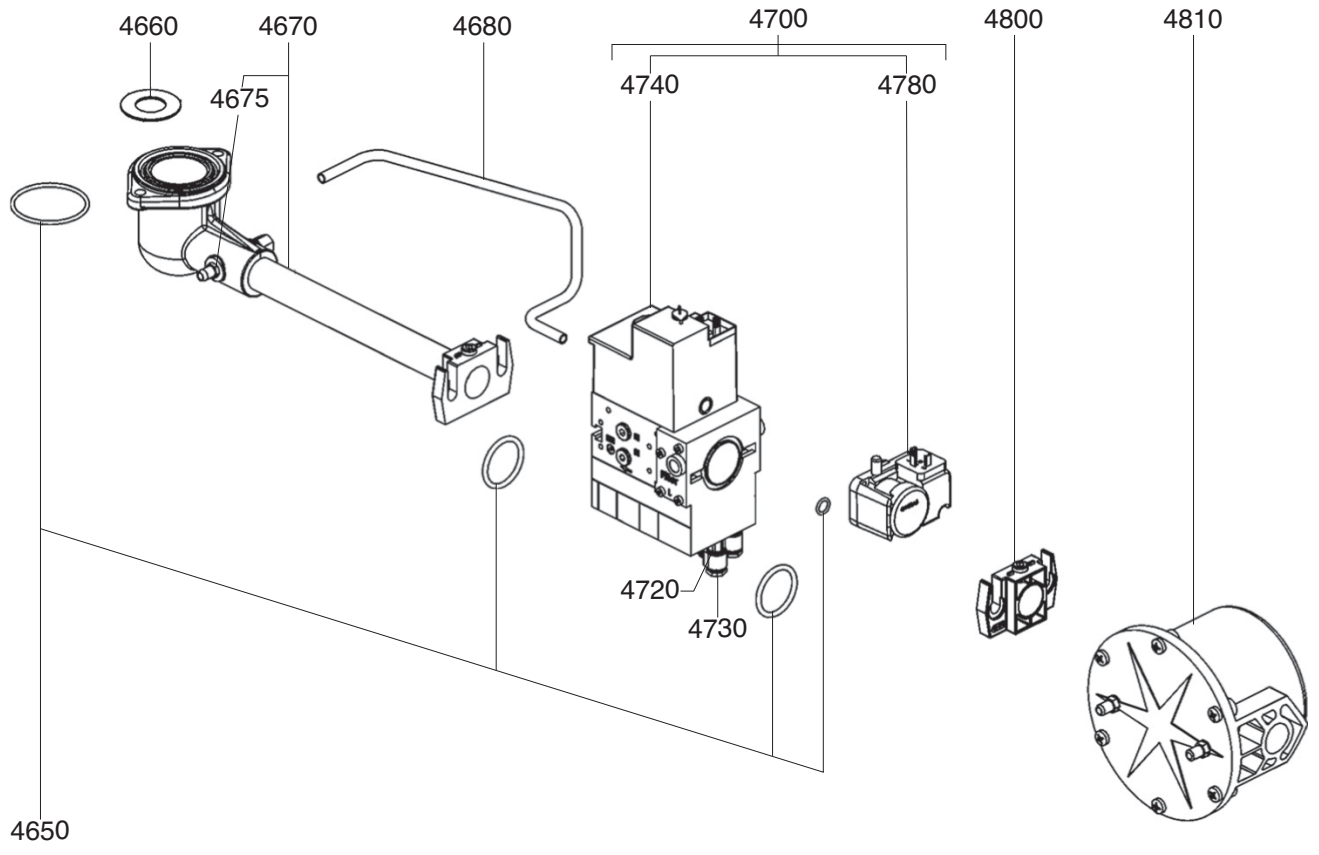
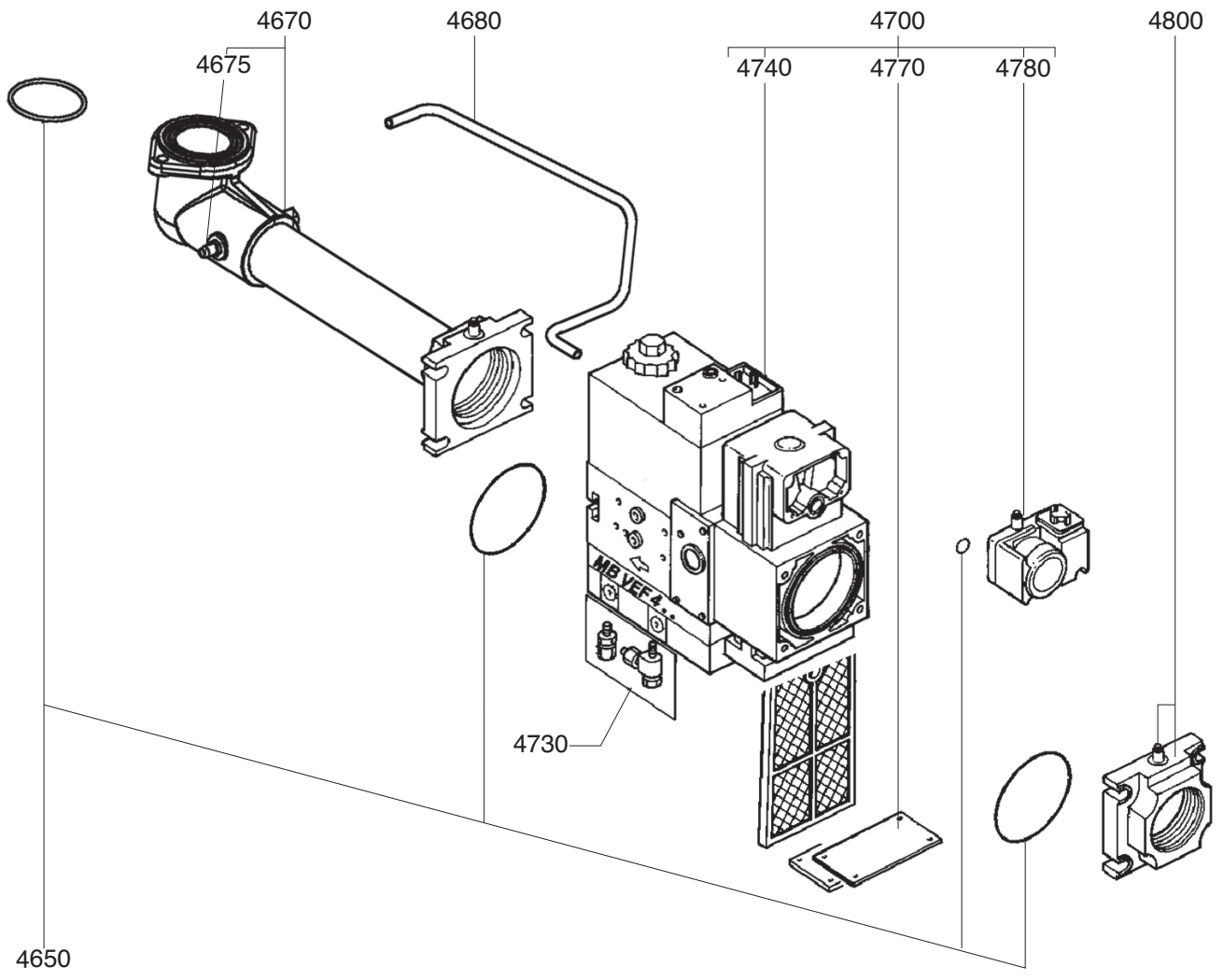
1	13008853	BB-C43/54 GX507/8	06-2002	09-2012
2	13008855	CH-G531 - T1/KN	06-2002	02-2015
3	13008856	CH-G531 - T2/KL	06-2002	02-2015
4	13008857	CH-G532 - T1/KN	06-2002	02-2015
5	13008858	CH-G532 - T2/KL	06-2002	02-2015
6	13008545	GT -D319 - 3/4 -RP3/4	06-2002	12-2010
7	13010839	GT -D318 - 1 1/4-RP1 1/4	06-2002	12-2010
8	13010838	GT -D320 - 1 1/2-RP1 1/2	06-2002	12-2010
Col	Reference	Model type	Begin	End



☉⇒	Description	Manf. Pt. N	Type	<div style="display: flex; justify-content: space-between; font-size: small;"> <span>BB-C43/54 GX507/8</span> <span>CH-C531 T1/KN</span> <span>CH-C531 T2/KN</span> <span>CH-C532 T1/KN</span> <span>CH-C532 T2/KN</span> <span>GT 83/9-3/4" R93/4"</span> <span>GT 83/8-1" 1/4-R91"1/4</span> <span>GT 83/20-1" 1/2-R91"1/2</span> </div>																		<div style="border: 1px solid black; padding: 2px; display: inline-block;"> <span style="font-size: x-small;">0-0</span>  <span style="font-size: large; font-weight: bold;">31</span> </div>	
				1	2	3	4	5	6	7	8	9	10	11	12	13	14	15	16	17	18	From	to
5020	SET BAFFLE PLATE D100 6SL H6+NOZ.D50+CAP	13006684		●	●	●	●																
5050	GAS HEAD L107 D110/40 6 BRANCH.	13007798		●	●	●	●																
5060	TURBULATOR	13007799		●	●	●	●																
5070	FLAME TUBE D150/115 L268	13007905		●																			
	FLAME TUBE D150/115 L418	13007906			●																		
	FLAME TUBE D150/125 L268	13007800					●																
	FLAME TUBE D150/125 L418	13007801						●															
5071	FLAME TUBE ROTATION LEVER	13007802		●	●	●	●																
5080	GASKET/BURNER FLANGE 244X244X8 D158	13007803		●	●	●	●																
5090	TETE FIX 54.60 GAZ	65300595		●	●	●	●																
5091	SCREWS M6 FIX FLAME TUBE (3 PIECES)	13007804		●	●	●	●																
5095	KIT HEXAGONAL NUT+SCREWS M10X40	13016814		●	●	●	●																
5100	ELECTRODE IGN.+ION. D8X80 d4 D2X27 80°	13015841		●	●	●	●																
5101	IGNITION ELECTRODE D6X80 d4 D2X7 FLANGE	13010528		●	●	●	●																
5102	IONISATION PROBE D8X80 D4 D2X27 80° F+S	13010529		●	●	●	●																
5110	IONISATION CABLE CLP 6,35/D4 L550	13007805		●		●																	
	IONISATION CABLE CLP 6,35/D4 L700	13007806			●		●																
5120	IGNITION CABLE D4/D4 L1050	13014615			●		●																
	IGNITION CABLE D4/D4 L850	13014614		●		●																	
5130	ADJUST ROD D8/4 L646 M8	13014258		●		●																	
	ADJUST ROD D8/4 L796 M8	13014259			●		●																
5140	BUTTON D35/20X60+VERNIER D12/8X48+CLIPS	13007852		●	●	●	●																
5150	INSPECTION GLASS BLU D14XD18	13007807		●	●	●	●																
5160	GAS ELBOW+ TUBE L646 T2-KL	13014257			●		●																
	GAS ELBOW+TUBE L496 T1-KN	13014256		●		●																	
5170	CABLE GROMMET D5/9 (2 pieces)	13007808		●	●	●	●																
5180	SOCKET BI-SLB4-F 6,3	13007849		●	●	●	●																
5190	O-RING D111X2 GAS COVER NBR	13021248		●	●	●	●																







BB-C43/54 GX507/8  
 CH-C531 T1/KN  
 CH-C531 T2/KL  
 CH-C532 T1/KN  
 CH-C532 T2/KL  
 GT 83 19-3/4" Rp3/4"  
 GT 83 18-1" 1A-Rp1"1/4  
 GT 8320-1" 1/2-Rp1"1/2

	Description	Manf. Pt. N	Type																			
				1	2	3	4	5	6	7	8	9	10	11	12	13	14	15	16	17	18	

				1	2	3	4	5	6	7	8	9	10	11	12	13	14	15	16	17	18	From	to
4650	O-RING KIT D56X3+D36X3 (2)+D11X2/MB..407	13011313								●													
	O-RING KIT D56X3+D50X3 (2)+D11X2/MB..412	13011314									●												
	O-RING KIT D56X3+D50X3+D86X3/MB..412-420	13016259										●											
4660	DIAPHRAGM / GAS ELBOW D47/24X1,5	13020287								●													
4670	FLANGE/GAS TUBE CPL.	13014253									●												
	GAS COLLECTOR 1 1/2 C28-34	13015702										●											
	MONTE COLLECTOR 3/4 (MOD)	13015707								●													
4675	PRESSURE TAP R1/8	13009722								●	●	●											
4680	GAS P.TUBE+PL+PF+UNIONS MBVEF412	13013911									●												
	GAS P.TUBE+PL+PF+UNIONS(20MBAR)MBVEF420	13013908										●											
	GAS P.TUBE+PL+PF+UNIONS(300MBAR)MBVEF407	13013917								●													
4700	GAS VALVE MB-VEF407 B01 S30 RP3/4 PL=1,2	13011113								●													
	GAS VALVE MB-VEF412 B01 S10 RP1 1/4	13010082									●												
	GAS VALVE MBVEF420 B01 S10 RP2"+FP	13011725										●											
4720	ADJUTAGE DUN D 0,3 + SEAL	13018855								●													
4730	BANJO UNION LCK-G1/8-PK4	13020682								●	●	●											
4740	COIL DUN N° 1105 MBVEF407	13010083								●													
	COIL DUN N° 1205 MBVEF412	13010084									●												
	DUN COIL No. 1215 MBVEF420	13011726										●											
4770	STRAINER GRID MB..420	13007901										●											
	STRAINER MB..405-407 P300	13013978								●													
	STRAINER MB..410-412	13016012									●												
4780	GAS PRESS.SWITCH GW 150 A5 30-150MB DIN	13010078								●	●	●											
4800	FLANGE MB405/407 RP3/4 +O-RING	13010074								●													
	FLANGE MB410/412 RP1 1/4	13010085									●												
	FLANGE MB420 RP1 1/2	65322638										●											
4810	STRAINER GF 510-515+O-RING	13010093								●													

# ADDRESSES

[www.bosch.com](http://www.bosch.com)



# VARIANTEN- und ZULASSUNGSZUSAMMENFASSUNG

- : Nicht messen, prüfen, Öl- und Gasdruck messen / Nicht reparieren!  
: Für Messung von Gasdruck / Öl- und Gasdruck / Öl- und Gasdruck messen
- : Nicht messen, prüfen, Öl- und Gasdruck messen / Nicht reparieren!  
: Für Messung von Gasdruck / Öl- und Gasdruck / Öl- und Gasdruck messen
- : Nicht messen, prüfen, Öl- und Gasdruck messen / Nicht reparieren!  
: Für Messung von Gasdruck / Öl- und Gasdruck / Öl- und Gasdruck messen

# IDENTIFICATION DÉTAILLÉE

## SÉRIE 770

