



SPARE PARTS EXPLODED VIEW GAS BURNERS

Model

CB-NC46 GX E 907/8A/TC

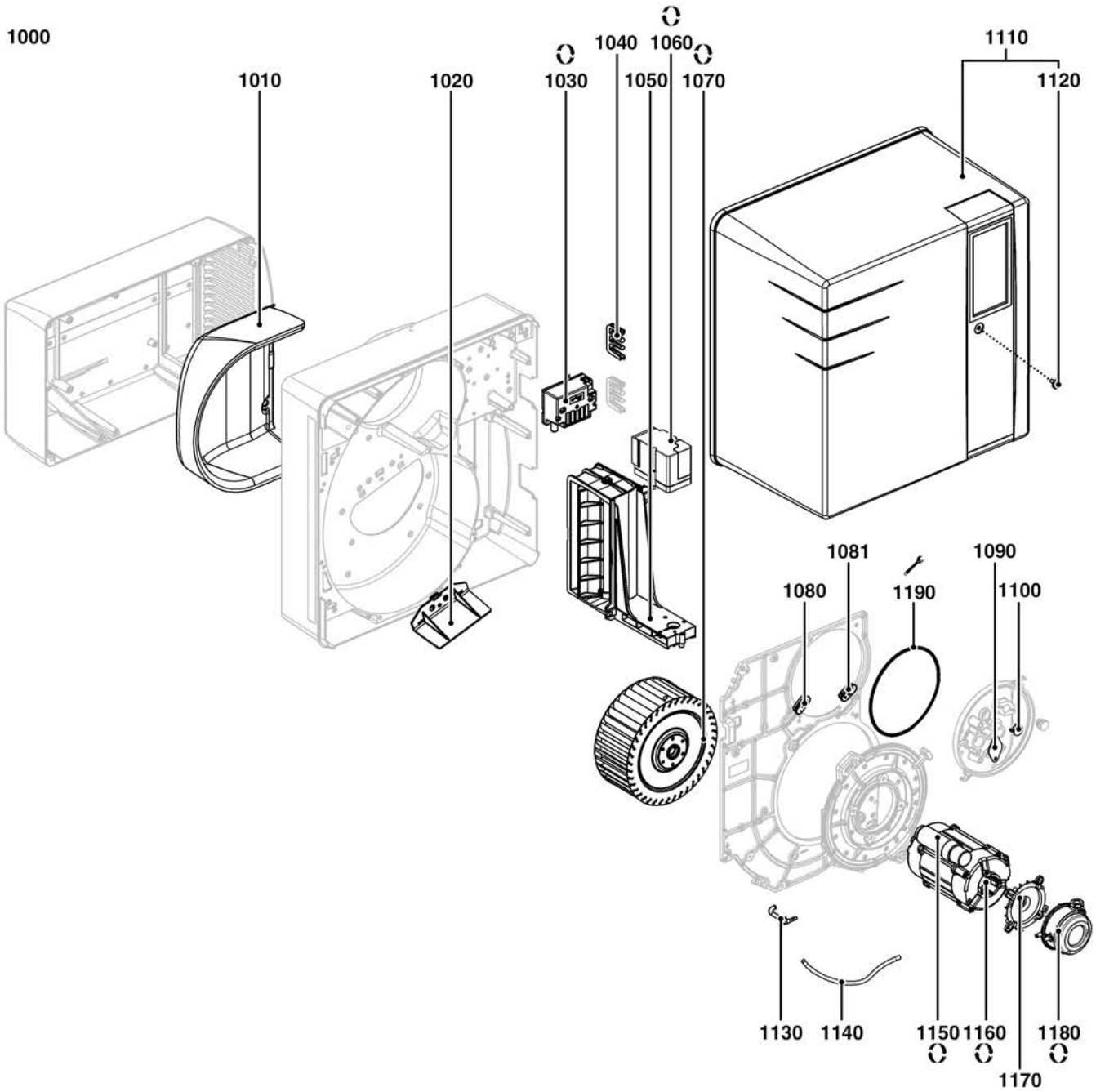
R8220302-01 - 21/08/2018

CB-NC46 GX E 907/8A/TC

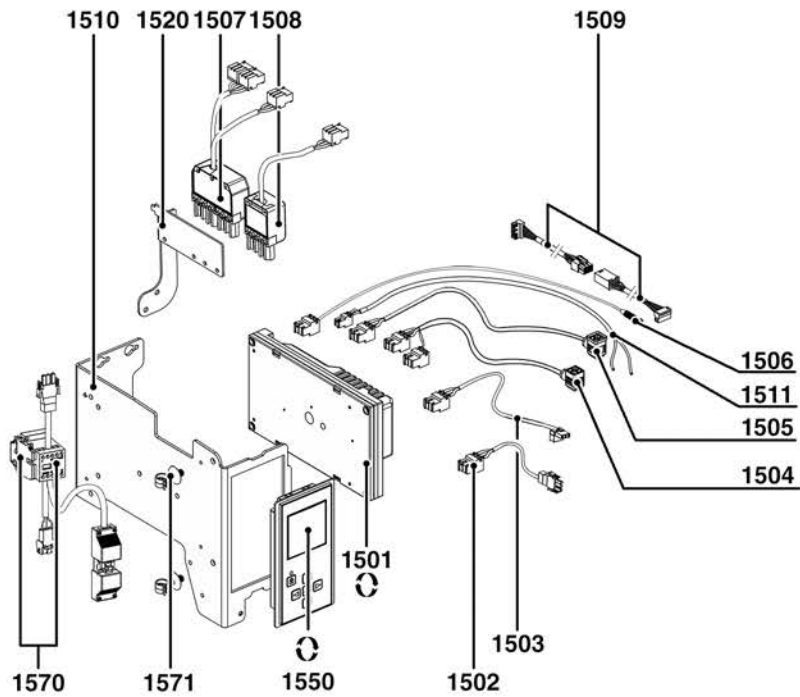
Gas burners

1	3836600	BB-NC46 GX E 907/8A /TC	08-2018	-
2	3836498	CH-G0532-T1/KN	05-2018	-
3	3836499	CH-G0532-T2/KL	07-2018	-
4	3833639	GT - D415 - 3/4IN -RP1IN 1/4 /TC	01-2013	-
5	3833640	GT - D416- 1IN 1/2 - RP2IN /TC	01-2013	-
Col	Reference	Model type	Begin	End

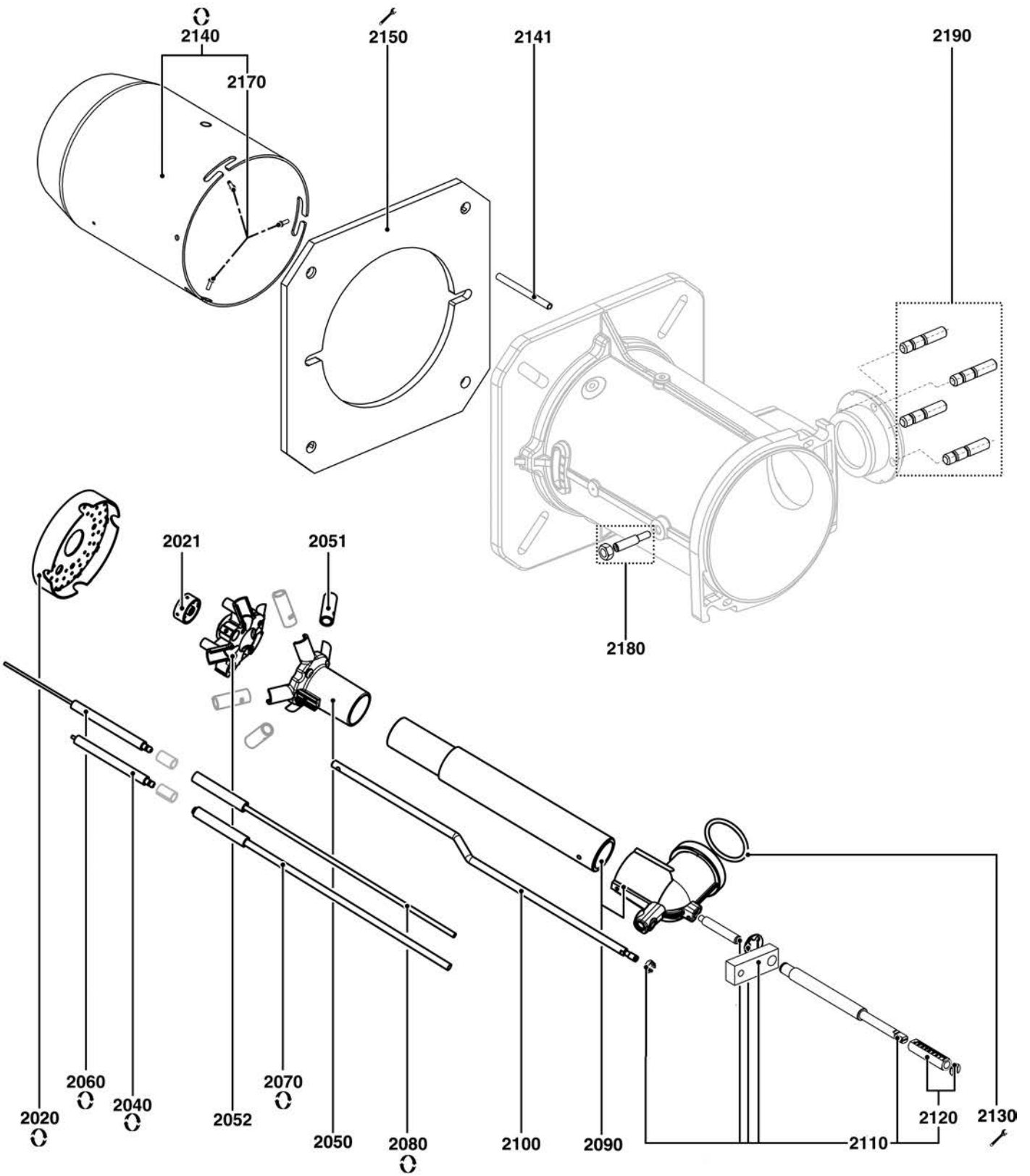
1000



1500

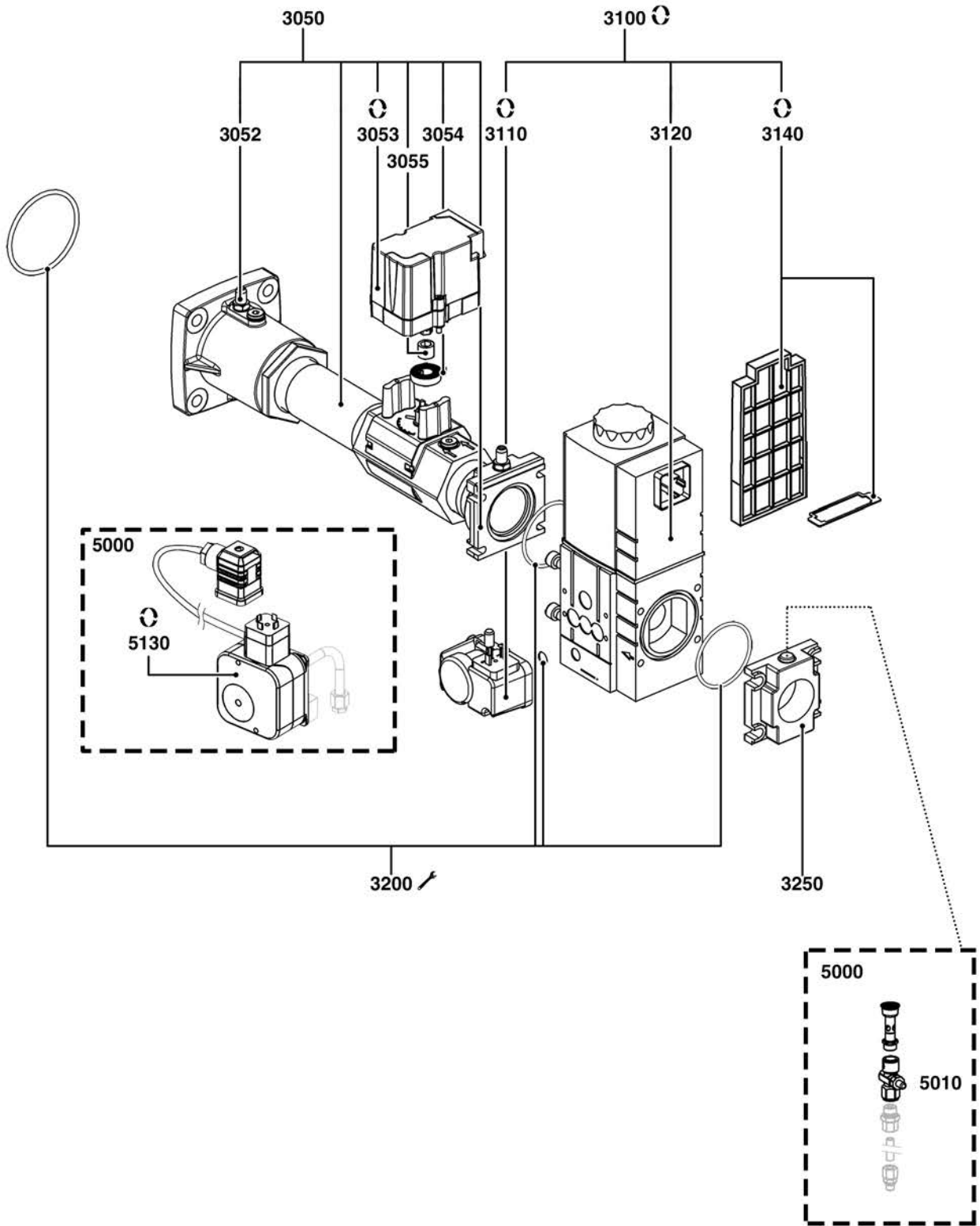


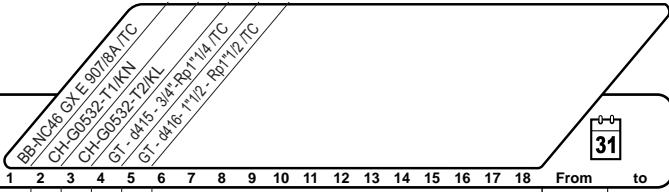
Description	Manf. Pt. N	Type	<div style="display: flex; justify-content: space-between; align-items: center;"> <div style="font-size: 8px; transform: rotate(-45deg); white-space: nowrap;"> BR-NC46 GX E 907/8A/TC CH-G0532-T1/KN CH-G0532-T2/KL GT - 0415 - 3/4" 29" 1/4" TC GT - 0416 - 1 1/2" - Rpt 1/2" TC </div> <div style="border: 1px solid black; padding: 2px;"> 31 </div> </div>																		From	to
			1	2	3	4	5	6	7	8	9	10	11	12	13	14	15	16	17	18		
1000 BURNER BODY																						
1010 INSULATION AIR INTAKE BOX	65300808		•																			
1020 AIR RECYCLING 119/114X60 78° (BLACK)	13017364		•																			
1030 IGNITION TRANSFO.EBI 1X11 230V+EARTH CO.	65300715		•																			
1040 GROMMET/HOUSING	13016845		•																			
1050 AIR FLAP	65300810		•																			
1060 ACTUATOR STE 4,5 B0.37/6-R + CABLE L600	65300527		•																			
1070 FAN WHEEL D180X75 D12,7	13011096		•																			
1080 RUBBER FUNNEL DIM34X15/12 - 1XD.6,20	13011186		•																			
1081 CABLE BUSHING DIM34x15/12 1xD3,25	13020685		•																			
1090 LOCKING PLATE	65300568		•																			
1100 INSPECTION GLASS BLU D14XD18	13007807		•																			
1110 COVER NC46, NC61+MOUNTING SCREW	65300830		•																			
1120 FLAT HEAD SCREW M5X15	65300519		•																			
1130 AIR PRESSURE PLUG G1/8+TUBE D4/6 L53 90°	65327491		•																			
1140 HOSE D4/7 L500 SILICONE	13015497		•																			
1150 CAPACITOR 16µF 2P 3MM	65301178		•																			
1160 MOTOR 0,42KW 230V D12,7	65300813		•																			
1170 AIR PRESSURE SWITCH BASE D32	13020723		•																			
1180 AIR PRESS.SWITCH 604.92 1-10MB+RAST	13020722		•																			
1190 SEAL D2,3 L485 EPDM FOAMED	65327476		•																			
1500 ELECTRIC PART																						
1501 CONTROL UNIT LCG 911 BT320	65300964		•																			
1502 CABLE MOTOR+PLUG 3P/RAST3P L290 BT3xx	65300965		•																			
1503 CABLE IG.TRANSFO+PLUG3P/RAST3P L250BT3xx	65300966		•																			
1504 CABLE GAS VALVE+PLUG DIN/2XRAST3P L2000	65300967		•																			
1505 CABLE GAS P.SWITCH+P.DIN/RAST3P L1500BT3	65300968		•																			
1506 IONISATION CABLE RAST4P/D4 F L350 BT3xx	65300970		•																			
1507 CABLE+PLUG WIELAND 7P/3XRAST3P L370	65300971		•																			
1508 CABLE+PLUG WIELAND 4P/RAST 3P L350	65300972		•																			
1509 CABLE ACTUATOR STE+RAST6P/6P L1400	65301111		•																			
1510 CONTROL UNIT BRACKET+DISPLAY	65300524		•																			
1511 CABLE AIR PRES.SWITCH+RAST2P/2X0,75 L430	65300048		•																			
1520 WIELAND 7/4-PIN CONNECTOR SUPPORT	65300973		•																			
1550 DISPLAY FOR CONTROL UNIT BT3XX	65326869		•																			
1570 AUX.RELAY/FAN MOT.+CABLES+CONN.	65301069		•																			
1571 CABLE HOLDER BLACK D6 (X10)	65300679		•																			



BR-NC46 GX E 907/8A/TC
 CH-CH532-T1(KN)
 CH-CH532-T2(KL)
 GT- 8415 - 3/4" 291" 1/4" TC
 GT- 8416- 1 1/2 - 391" 1/2" TC

	Description	Manf. Pt. N	Type	<div style="display: flex; justify-content: space-between;"> BR-NC46 GX E 907/8A/TC CH-CH532-T1(KN) CH-CH532-T2(KL) GT- 8415 - 3/4" 291" 1/4" TC GT- 8416- 1 1/2 - 391" 1/2" TC </div>																		From to	
				1	2	3	4	5	6	7	8	9	10	11	12	13	14	15	16	17	18		
2000	COMBUSTION HEAD																						
2020	BAFFLE PLATE D120/30X25 62DRIL.	65111864			●	●																	
2021	GAS NOZZLE LPG D33/5,5X10 8 DRILL. D1,5	65324717			●	●																	
2040	IGNITION ELECTRODE D10X100 d6,4 D3X7	65324331			●	●																	
2050	GAS HEAD L78 D107/35 4 BRANCH.	65324694			●	●																	
2051	GAS NOZZLE D14/10 L37 OPEN. 3X10	65324714			●	●																	
	GAS NOZZLE D14/8 L37 1 DRILL. D3,25	65324715	LPG		●	●																	
2052	CAP FIRING HEAD D88 L33 2XD6,5 4BRANCH	65324539			●	●																	
2060	IONISATION PROBE D10X100 d6,4 D3X100	65320950			●	●																	
2070	IGNITION CABLE D4/D4 L1010 ELBOW PLUG	65326130				●																	
	IGNITION CABLE D4/D4 L690 ELBOW PLUG	65326132				●																	
2080	IONISATION CABLE D5 L650 D4M/D7F	65327471				●																	
	IONISATION CABLE D5 L790 D4M/D7F	65327477					●																
2090	GAS TUBE D35/40 L270	65327473				●																	
	GAS TUBE D35/40 L410	65327479					●																
2100	ADJUST ROD NC46-VG4.440 (T1/KN)	65327472				●																	
	ADJUST ROD NC46-VG4.440 (T2/KL)	65327478					●																
2110	ADJUST ROD D8/12/10 L172+SPACER 45MM	65300821				●	●																
2120	ADJUST SCALE+CIRCLIPS	65300554				●	●																
2130	O-RING D45X4	13015499				●	●																
2140	FLAME TUBE D150/157/116X277	65327475				●																	
	FLAME TUBE D150/157/116X417	65327480					●																
2141	FURNACE PRESSURE TUBE LG.200MM	65301184				●																	
	FURNACE PRESSURE TUBE LG.350MM	65301185					●																
2150	GASKET/BURNER FLANGE 242X242X8 D161	65327474				●	●																
2170	SCREWS M6 FIX FLAME TUBE (3 PIECES)	13007804				●	●																
2180	SCREW+NUT M8X40	65300557				●	●																
2190	KIT HEXAGONAL NUT+SCREWS M10X40	13016814				●	●																





Description	Manf. Pt. N	Type																				
			1	2	3	4	5	6	7	8	9	10	11	12	13	14	15	16	17	18	From	to
3000 GAS TRAIN																						
3050 COMPLETE COLLECTOR	65300978																					
COMPLETE COLLECTOR	65300979																					
3052 PRESSURE TAP R1/8	13009722																					
3053 ACTUATOR STE 4,5 B0.37/6-R + CABLE L600	65300527																					
3054 SPRING 1.2NM	13009688																					
3055 RING D12,8/11,4X10/ACTUATOR	13014901																					
3100 GAS VALVE MBC300 SE S22	13021869																					
GAS VALVE MBC700 SE S22 RP1"1/4	13021870																					
3110 GAS PRESS.SWITCH GW 150 A5 5-150MB	13010078																					
3120 COIL DUN N° 32/P MBC300	13022418																					
COIL DUN N° 42/P MBC700-SV520	13022419																					
3140 STRAINER MBC 300	13022415																					
STRAINER MBC 700	13022416																					
3200 O-RING KIT D70X3+D74X3 (2)D11X2/MBC300	65300981																					
3250 FLANGE MB415/420 RP1 1/2 + PRES.PLUG	65322637																					
FLANGE MBC300 RP1 1/4	13022621																					
5000 ACCESSORY																						
5010 TRIAL BURNER WITH PUSH-BUTTON PB2	65311362																					
5130 MAX. GAS PRES. SWITCH UB50 A2+CABLE L600	65326220	PED																				

CB-NC46 GX E 907/8A/TC

Gas burners

