



SPARE PARTS EXPLODED VIEW GAS BURNERS

Model

CB-NC46 GX E 507/8A

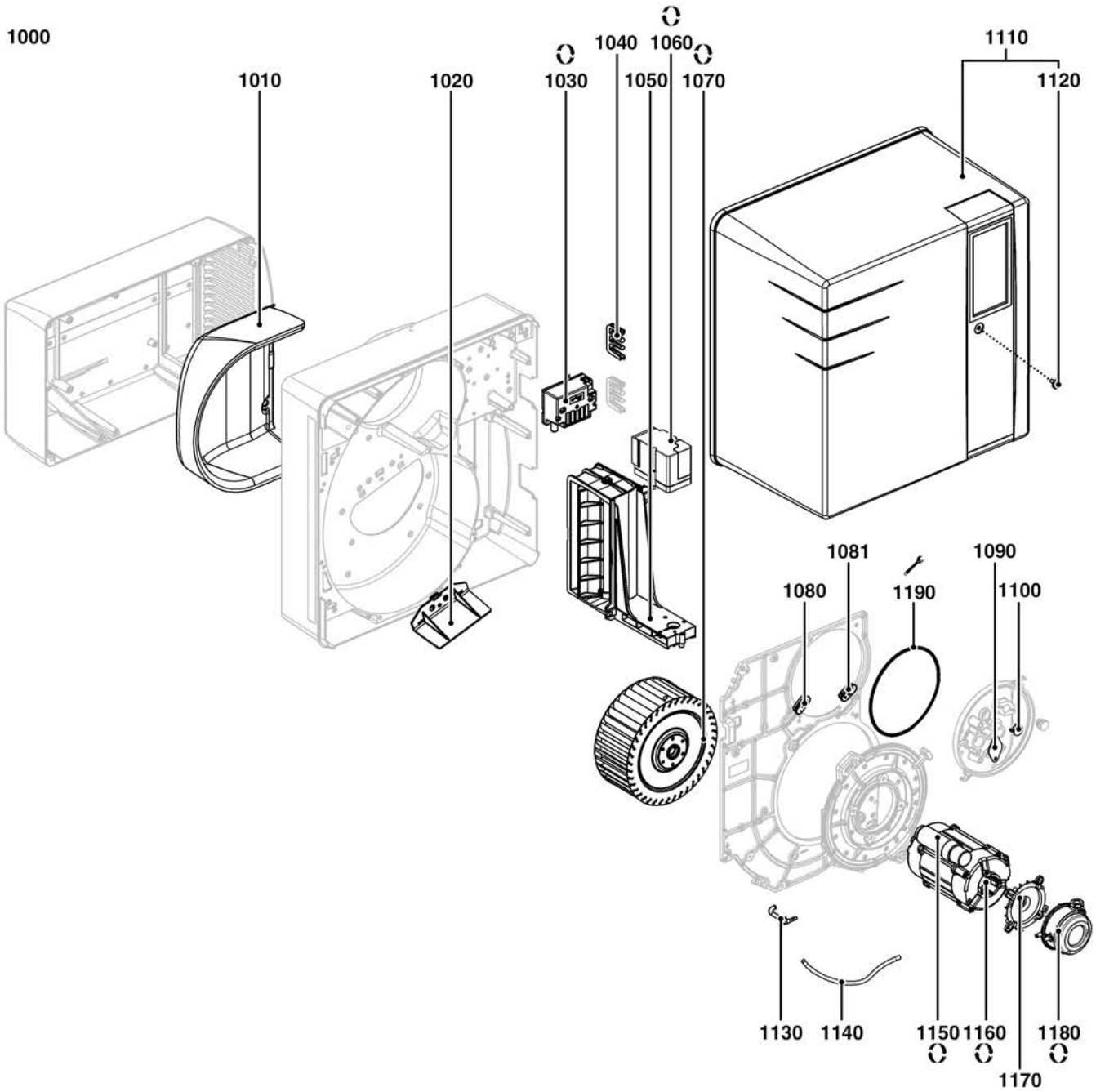
R8220289-01 - 21/08/2018

CB-NC46 GX E 507/8A

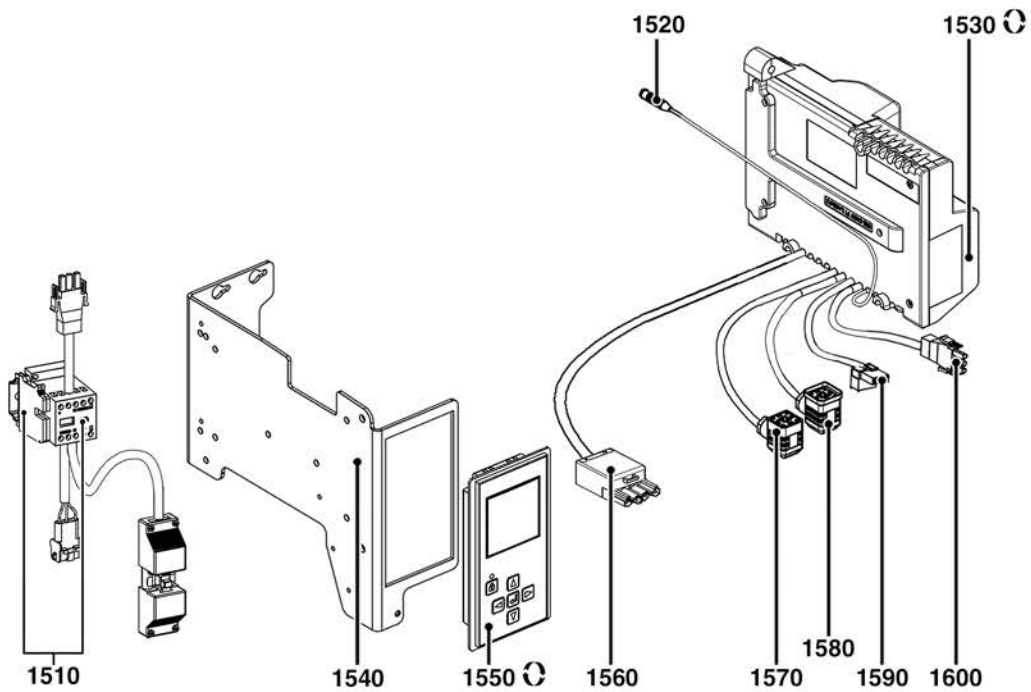
Gas burners

1	3836566	BB-NC46 GX E 507/8A	07-2018	-
2	3836498	CH-G0532-T1/KN	05-2018	-
3	3836499	CH-G0532-T2/KL	07-2018	-
4	3832064	GT -D311 - 3/4 - RP1	06-2010	-
5	3832063	GT -D312 - 1 1/4 - RP1 1/4	12-2008	-
6	3833192	GT -D327 - 1 1/2-RP2	02-2011	-
Col	Reference	Model type	Begin	End

1000



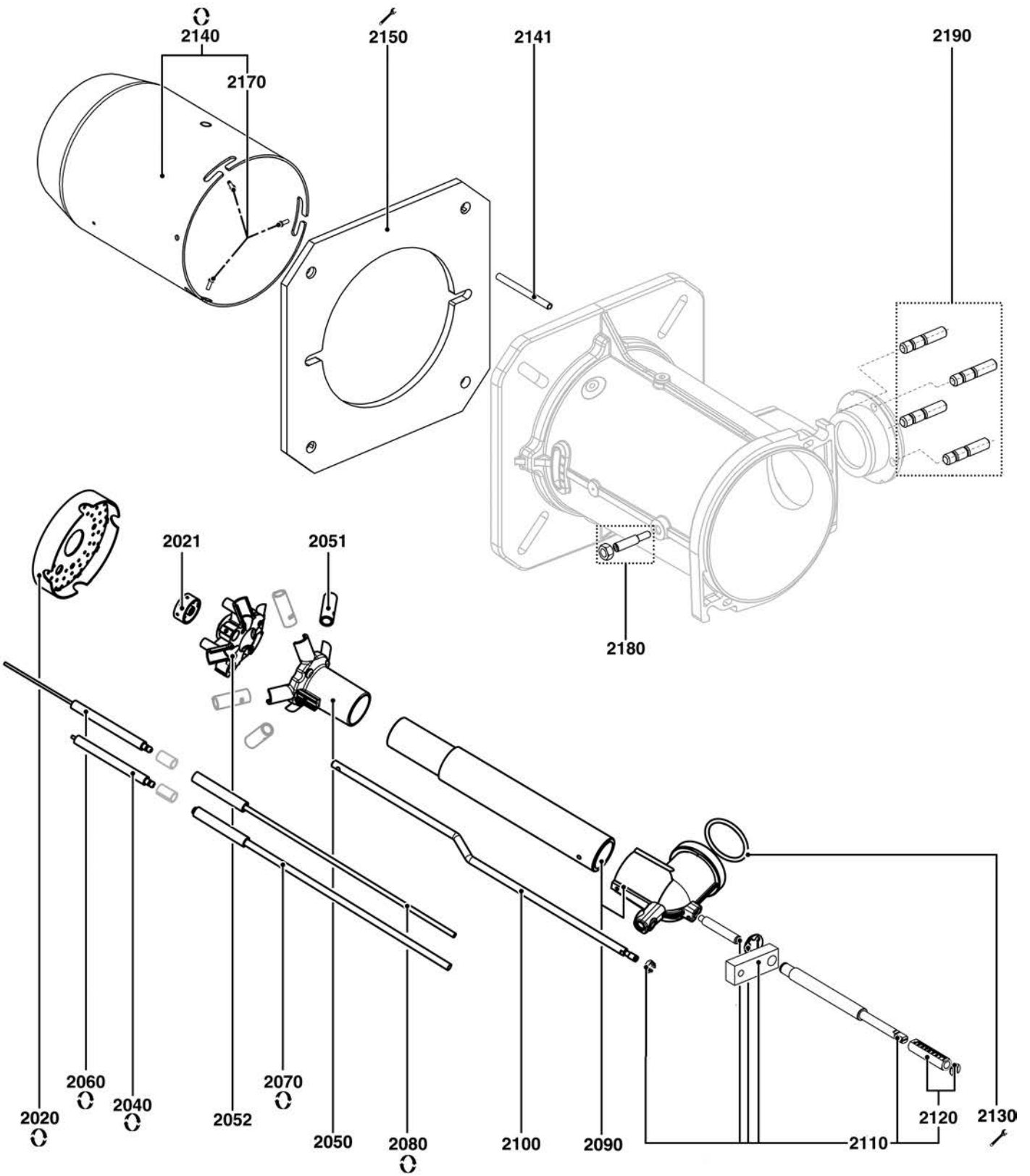
1500



☉⇒	Description	Manf. Pt. N	Type	<div style="display: flex; justify-content: space-between; font-size: small;"> BB-NC46 GX E 507/8A CH-G0532-T1/KN CH-G0532-T2/KL GT-031 - 3/4" - Rp1" GT-0312 - 1"1/4 - Rp1"1/4 GT-0321 - 1"1/2-Rp2" </div>																		<div style="border: 1px solid black; padding: 2px; display: inline-block;">31</div>	
				1	2	3	4	5	6	7	8	9	10	11	12	13	14	15	16	17	18	From	to
1000	BURNER BODY																						
1010	INSULATION AIR INTAKE BOX	65300808		●																			
1020	AIR RECYCLING 119/114X60 78° (BLACK)	13017364		●																			
1030	IGNITION TRANSFO.EBI 1X11 230V+EARTH CO.	65300715		●																			
1040	GROMMET/HOUSING	13016845		●																			
1050	AIR FLAP	65300810		●																			
1060	ACTUATOR STE 4,5 B0.37/6-R + CABLE L600	65300527		●																			
1070	FAN WHEEL D180X75 D12,7	13011096		●																			
1080	RUBBER FUNNEL DIM34X15/12 - 1XD.6,20	13011186		●																			
1081	CABLE BUSHING DIM34x15/12 1xD3,25	13020685		●																			
1090	LOCKING PLATE	65300568		●																			
1100	INSPECTION GLASS BLU D14XD18	13007807		●																			
1110	COVER NC46, NC61+MOUNTING SCREW	65300830		●																			
1120	FLAT HEAD SCREW M5X15	65300519		●																			
1130	AIR PRESSURE PLUG G1/8+TUBE D4/6 L53 90°	65327491		●																			
1140	HOSE D4/7 L500 SILICONE	13015497		●																			
1150	CAPACITOR 16µF 2P 3MM	65301178		●																			
1160	MOTOR 0,42KW 230V D12,7	65300813		●																			
1170	AIR PRESSURE SWITCH BASE D32	13020723		●																			
1180	AIR PRESS.SWITCH 604.92 1-10MB+RAST	13020722		●																			
1190	SEAL D2,3 L485 EPDM FOAMED	65327476		●																			
1500	ELECTRIC PART																						
1510	AUX.RELAY/FAN MOT.+CABLES+CONN.	65301069		●																			
1520	IONISATION CABLE MC4/RAST 1P L350	65300158		●																			
1530	CONTROL UNIT TCG 511.00	65301021		●																			
1540	CONTROL UNIT BRACKET+DISPLAY	65300524		●																			
1550	DISPLAY/CONTROL UNIT TCG-TCH REL.2.2	65301109		●																			
1560	CABLE+PLUG WIE. 4P/RAST3P L250	65300531		●																			
1570	CABLE GAS VALVE+PLUG DIN/RAST5P L1500	65300570		●																			
1580	CABLE GAS P.SWITCH+PLUG DIN/RAST2P L1500	13023698		●																			
1590	CABLE IGNIT.TRANSFO+PLUG 2P/RAST2P L350	65300619		●																			
1600	CABLE MOTOR+PLUG 3P/RAST3P L300	13010519		●																			

CB-NC46 GX E 507/8A

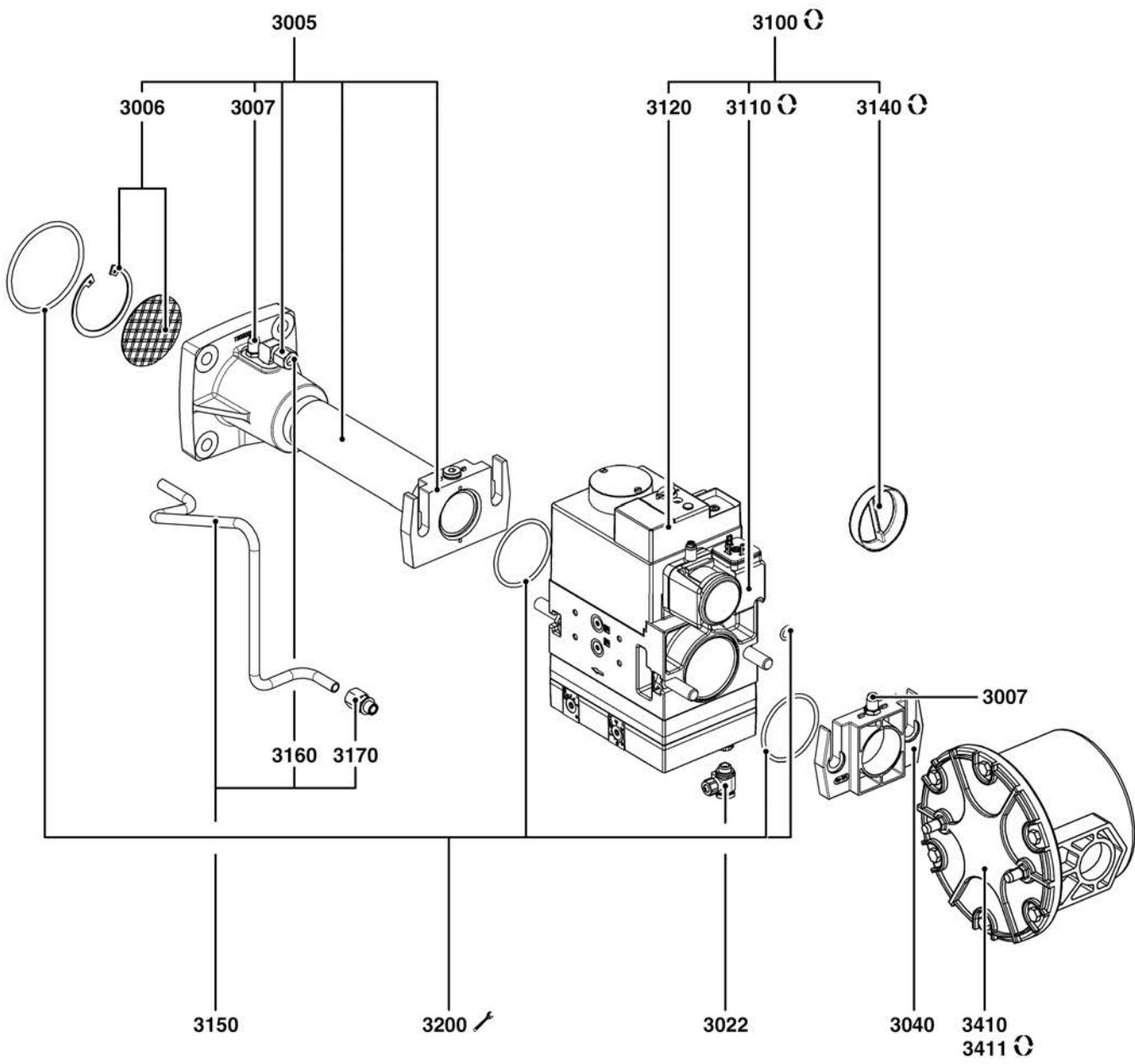
Gas burners



☉⇒	Description	Manf. Pt. N	Type	<div style="border: 1px solid black; padding: 2px; transform: rotate(-45deg); display: inline-block;"> BB-NC46 GX E 507/8A CH-G0532-T1(KN) CH-G0532-T2(KL) GT-031 - 3/4" - Rp1" GT-0312 - 1/4" - Rp1 1/4" GT-0321 - 1/2" Rp2" </div>																		From	to
				1	2	3	4	5	6	7	8	9	10	11	12	13	14	15	16	17	18		
2000	COMBUSTION HEAD																						
2020	BAFFLE PLATE D120/30X25 62DRIL.	65111864			•	•																	
2021	GAS NOZZLE LPG D33/5,5X10 8 DRILL. D1,5	65324717			•	•																	
2040	IGNITION ELECTRODE D10X100 d6,4 D3X7	65324331			•	•																	
2050	GAS HEAD L78 D107/35 4 BRANCH.	65324694			•	•																	
2051	GAS NOZZLE D14/10 L37 OPEN. 3X10	65324714			•	•																	
	GAS NOZZLE D14/8 L37 1 DRILL. D3,25	65324715	LPG		•	•																	
2052	CAP FIRING HEAD D88 L33 2XD6,5 4BRANCH	65324539			•	•																	
2060	IONISATION PROBE D10X100 d6,4 D3X100	65320950			•	•																	
2070	IGNITION CABLE D4/D4 L1010 ELBOW PLUG	65326130			•	•																	
	IGNITION CABLE D4/D4 L690 ELBOW PLUG	65326132			•	•																	
2080	IONISATION CABLE D5 L650 D4M/D7F	65327471			•	•																	
	IONISATION CABLE D5 L790 D4M/D7F	65327477			•	•																	
2090	GAS TUBE D35/40 L270	65327473			•	•																	
	GAS TUBE D35/40 L410	65327479			•	•																	
2100	ADJUST ROD NC46-VG4.440 (T1/KN)	65327472			•	•																	
	ADJUST ROD NC46-VG4.440 (T2/KL)	65327478			•	•																	
2110	ADJUST ROD D8/12/10 L172+SPACER 45MM	65300821			•	•																	
2120	ADJUST SCALE+CIRCLIPS	65300554			•	•																	
2130	O-RING D45X4	13015499			•	•																	
2140	FLAME TUBE D150/157/116X277	65327475			•	•																	
	FLAME TUBE D150/157/116X417	65327480			•	•																	
2141	FURNACE PRESSURE TUBE LG.200MM	65301184			•	•																	
	FURNACE PRESSURE TUBE LG.350MM	65301185			•	•																	
2150	GASKET/BURNER FLANGE 242X242X8 D161	65327474			•	•																	
2170	SCREWS M6 FIX FLAME TUBE (3 PIECES)	13007804			•	•																	
2180	SCREW+NUT M8X40	65300557			•	•																	
2190	KIT HEXAGONAL NUT+SCREWS M10X40	13016814			•	•																	

CB-NC46 GX E 507/8A

Gas burners



ADRESSES

www.bosch.com

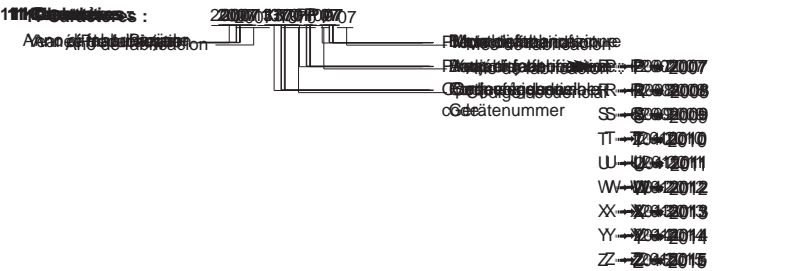
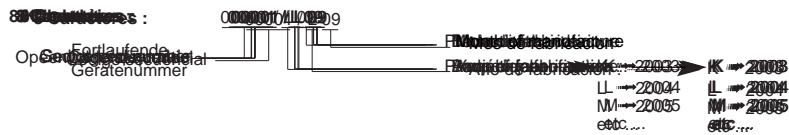
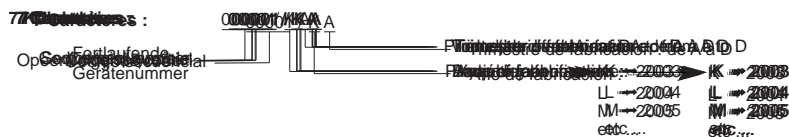


INDICAZIONI PER LA SCELTA DELLA VERSIONE

- : Modelli per gas GPL / Propano / Butano / Metano / Etano / 6 /
: Modelli per metano con il sistema di accensione a induzione
- : Modelli per gas GPL / Propano / Butano / Metano / Etano / 6 /
: Modelli per gas GPL / Propano / Butano / Metano / Etano / 6 /
: Modelli per gas GPL / Propano / Butano / Metano / Etano / 6 /
: Modelli per gas GPL / Propano / Butano / Metano / Etano / 6 /
: Modelli per gas GPL / Propano / Butano / Metano / Etano / 6 /
: Modelli per gas GPL / Propano / Butano / Metano / Etano / 6 /

INDICAZIONI DI ACQUISTO

SERIE 77



Questo documento è una guida di riferimento e non deve essere considerato un contratto. Per ulteriori informazioni, consultare il sito web Bosch o il manuale di istruzioni. I prezzi e le condizioni di vendita possono variare senza preavviso. © Bosch Power Tools S.p.A. 2023.