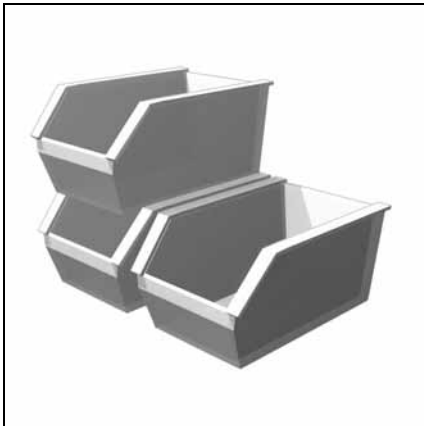


**N6.2400 G-E**  
**N6.2900 G-E**  
**N7.3800 G-E**  
**N7.4500 G-E**

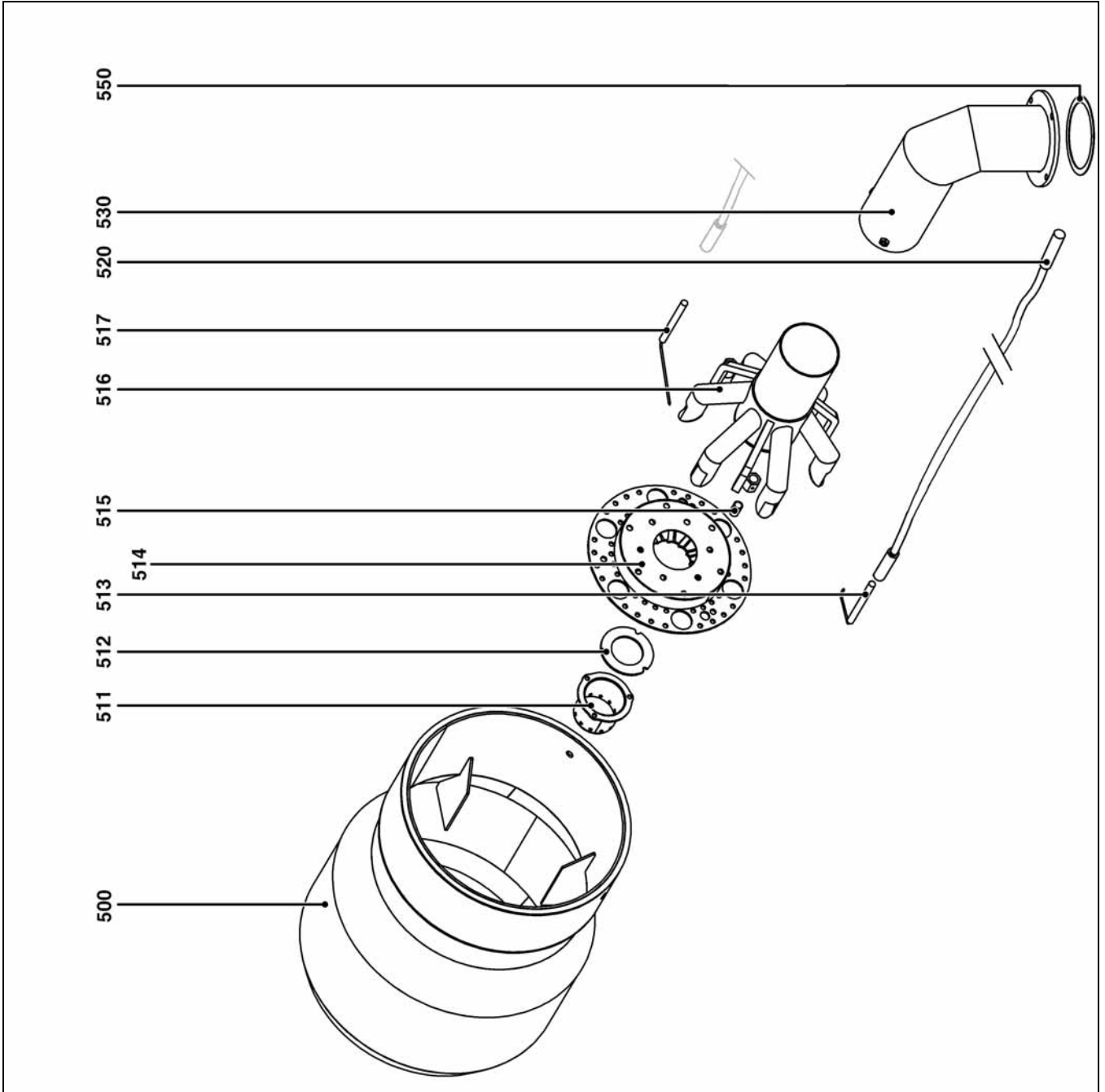
**elco**



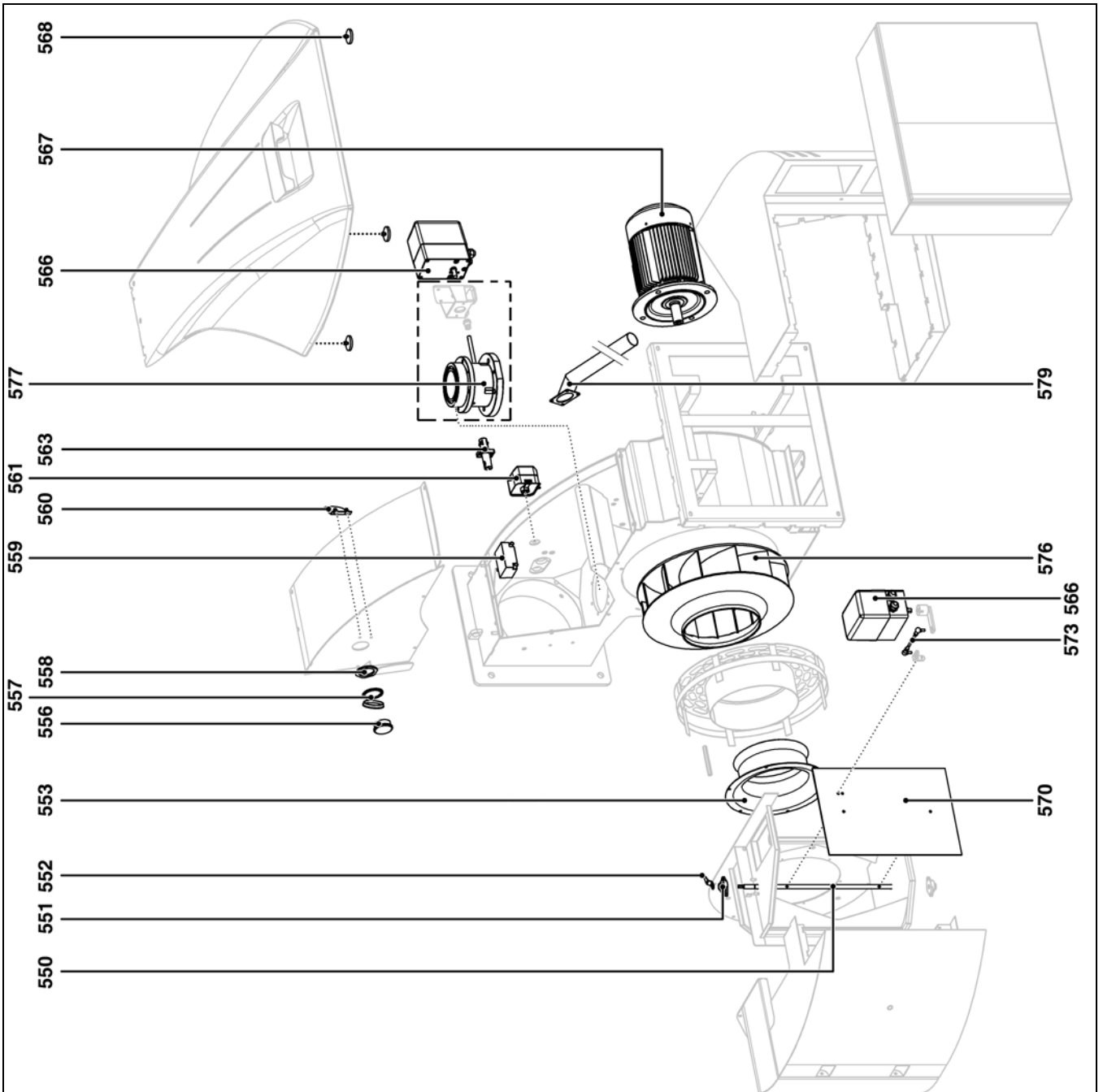
**Ersatzteilliste**  
**Pièces de rechange**  
**Parti ricambi**  
**Wisselstukkenlijst**  
**Spare parts list**



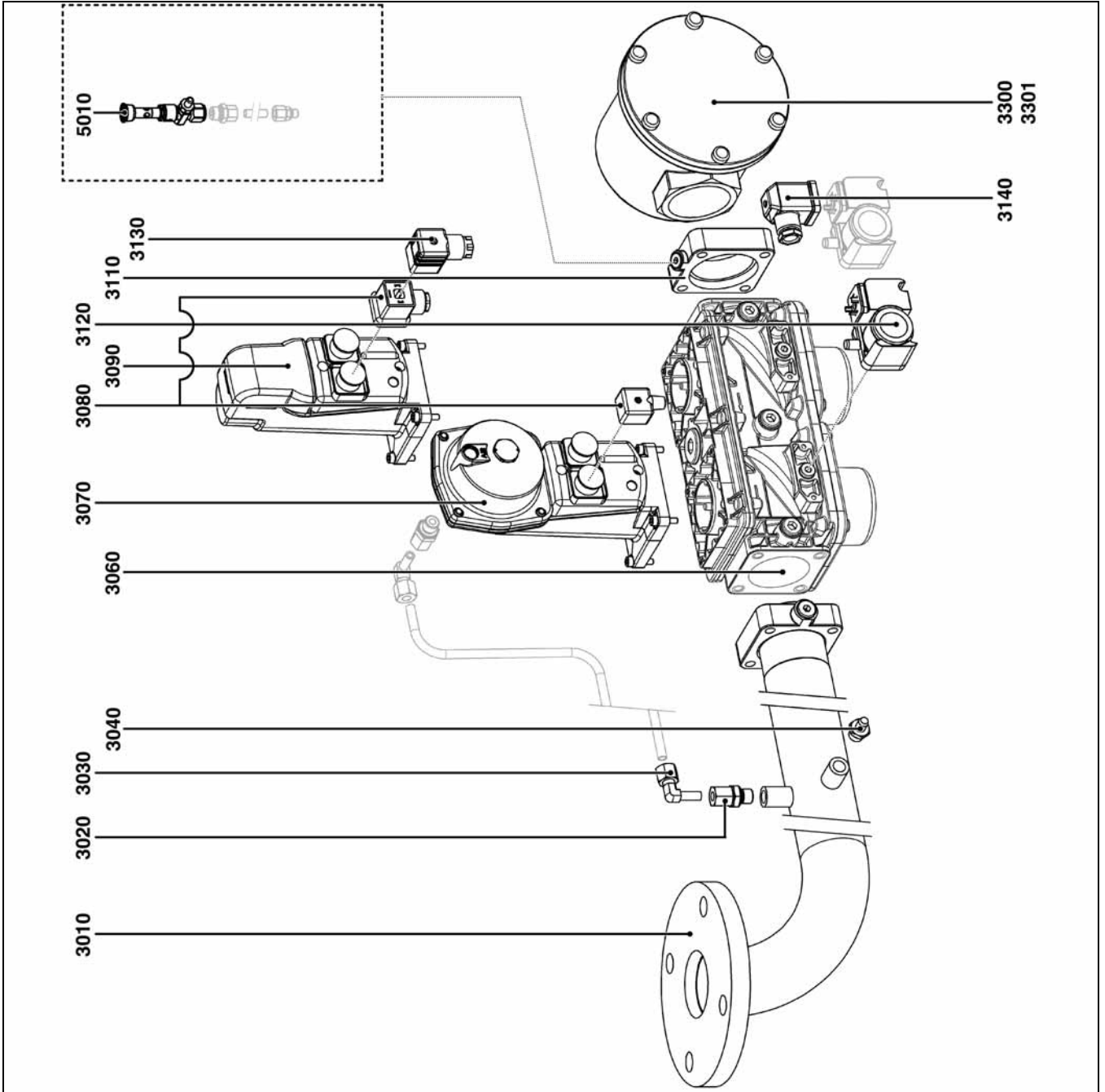
| Pos. | Art. Nr.             | Art. Nr.     | Art. Nr.  |
|------|----------------------|--------------|-----------|
| 500  | N6.2400/2900 KN      | 14 042 747   | 65311 529 |
|      | N6.2400/2900 KM      | 14 042 758   | 65311 530 |
|      | N6.2400/2900 KL      | 14 042 769   | 65311 531 |
| 511  | N7.3600/4500 KN      | 14 040 448   | 65311 520 |
|      | N7.3600/4500 KM      | 14 042 494   | 65311 524 |
|      | N7.3600/4500 KL      | 14 042 505   | 65311 525 |
| 511  | N6/7.2400/4500 KN/KL | 14 040 492   | 65311 481 |
| 512  | N6/7.2400/4500 KN/KL | 14 040 503   | 65311 482 |
| 513  | N6/7.2400/4500 KN/KL | 14 040 525   | 65311 484 |
| 514  | N6/7.2400/4500 KN/KL | 14 040 481   | 65311 480 |
| 515  | N6/7.2400/4500 KN/KL | 14 040 514   | 65311 483 |
| 516  | N6/7.2400/4500 KN/KL | 14 040 470   | 65311 479 |
| 517  | N6/7.2400/4500 KN/KL | 14 040 635   | 65311 485 |
| 520  | N6/7.2400/4500 KN/KL | 172 877 7751 | 65311 594 |
| 530  | N6.2400/2900 KN      | 14 042 780   | 65311 532 |
|      | N6.2400/2900 KM      | 14 042 791   | 65311 533 |
|      | N6.2400/2900 KL      | 14 042 802   | 65311 534 |
| 550  | N7.3600/4500 KN      | 14 040 459   | 65311 522 |
|      | N7.3600/4500 KM      | 14 042 516   | 65311 526 |
|      | N7.3600/4500 KL      | 14 042 527   | 65311 527 |
| 550  | N6/7.2400/4500 KN/KL | 14 041 229   | 65311 491 |



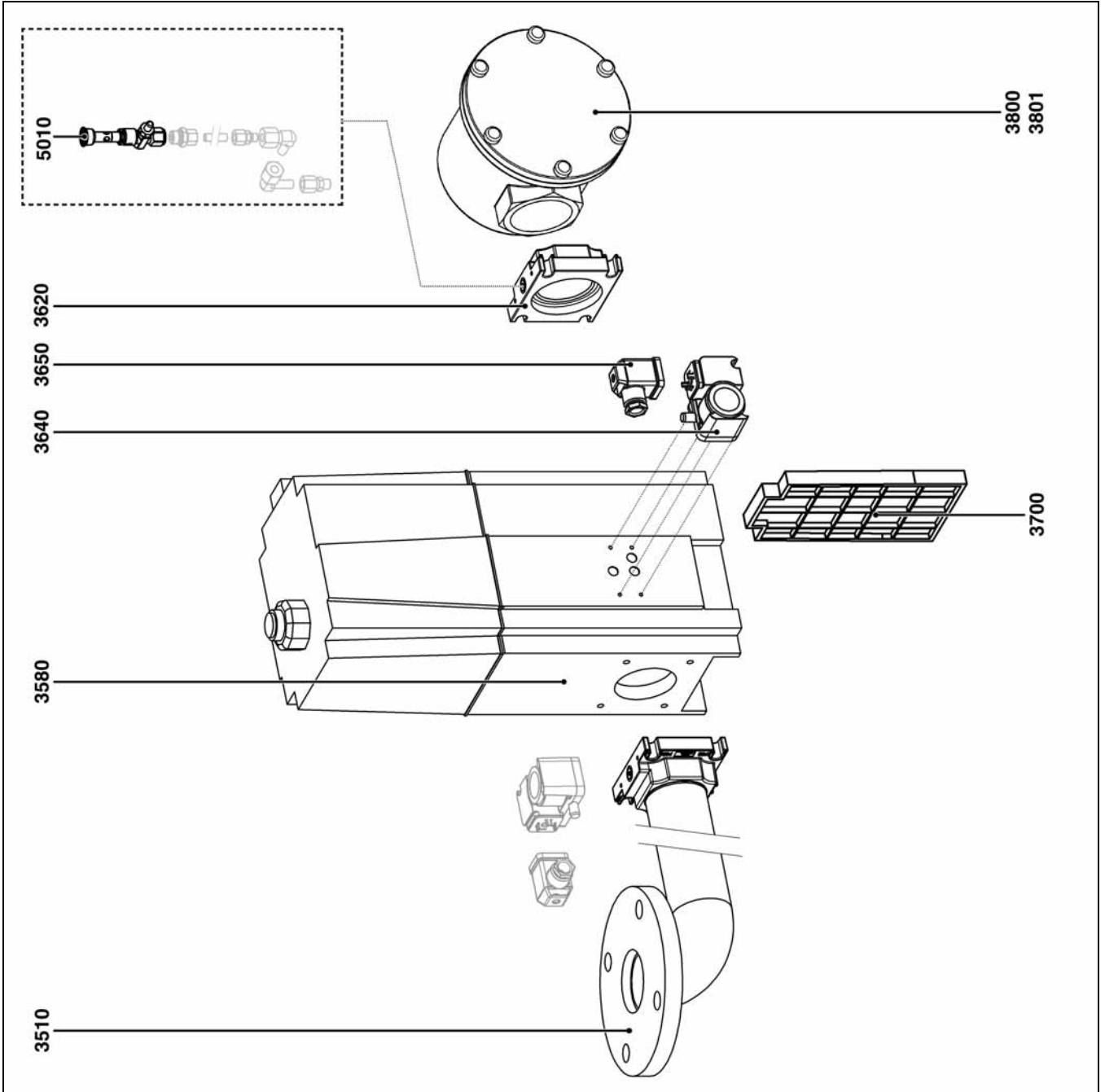
| Pos. |                              | Art. Nr.                 |                        |
|------|------------------------------|--------------------------|------------------------|
| 550  | N67.2400/4500                | 14 040 272               | 65311 476              |
| 551  | N67.2400/4500                | 881 883 7025             | 65311 617              |
| 552  | N67.2400/4500                | 14 040 294               | 65311 478              |
| 553  | N6.2400/2900                 | 14 041 119               | 65311 490              |
| 556  | N7.3600/4500                 | 14 040 217               | 65311 474              |
| 557  | N67.2400/4500                | 118 060 3227             | 65311 574              |
| 558  | N67.2400/4500                | 118 805 2260             | 65311 575              |
| 559  | N67.2400/4500                | 118 055 9591             | 65311 573              |
| 560  | N67.2400/4500                | 14 038 600               | 65311 471              |
| 561  | N67.2400/4500                | 14 040 173               | 65311 472              |
| 563  | N67.2400/4500<br>BT3xx       | 176 835 2409             | 65311 595              |
|      | Etamatic                     | --                       | --                     |
| 566  | N67.2400/4500<br>BT3xx       | 175 873 4132             | 65310 798              |
|      | Etamatic                     | 14 051 822               | 65311 650              |
|      | Etamatic                     | 14 068 267               | 65311 833              |
| 567  | N6.2400                      | 14 056 068               | 65311 824              |
|      | N6.2900                      | 14 056 057               | 65311 825              |
|      | N7.3600                      | 14 056 046               | 65311 353              |
|      | N6.4500                      | 14 056 035               | 65311 826              |
| 568  | N67.2400/4500                | 14 041 581               | 65311 502              |
| 570  | N67.2400/4500                | 14 040 283               | 65311 477              |
| 573  | N67.2400/4500                | 14 042 362               | 65311 512              |
| 576  | N6.2400                      | 14 041 460               | 65311 500              |
|      | N6.2900                      | 14 041 108               | 65311 489              |
|      | N7.3600                      | 14 040 206               | 65311 473              |
|      | N6.4500                      | 14 041 471               | 65311 501              |
| 577  | N67.2400/4500                | 14 072 458               | 65311 912              |
| 579  | N6.2400/2900<br>N7.3600/4500 | 14 060 688<br>14 043 264 | 65311 827<br>65311 828 |



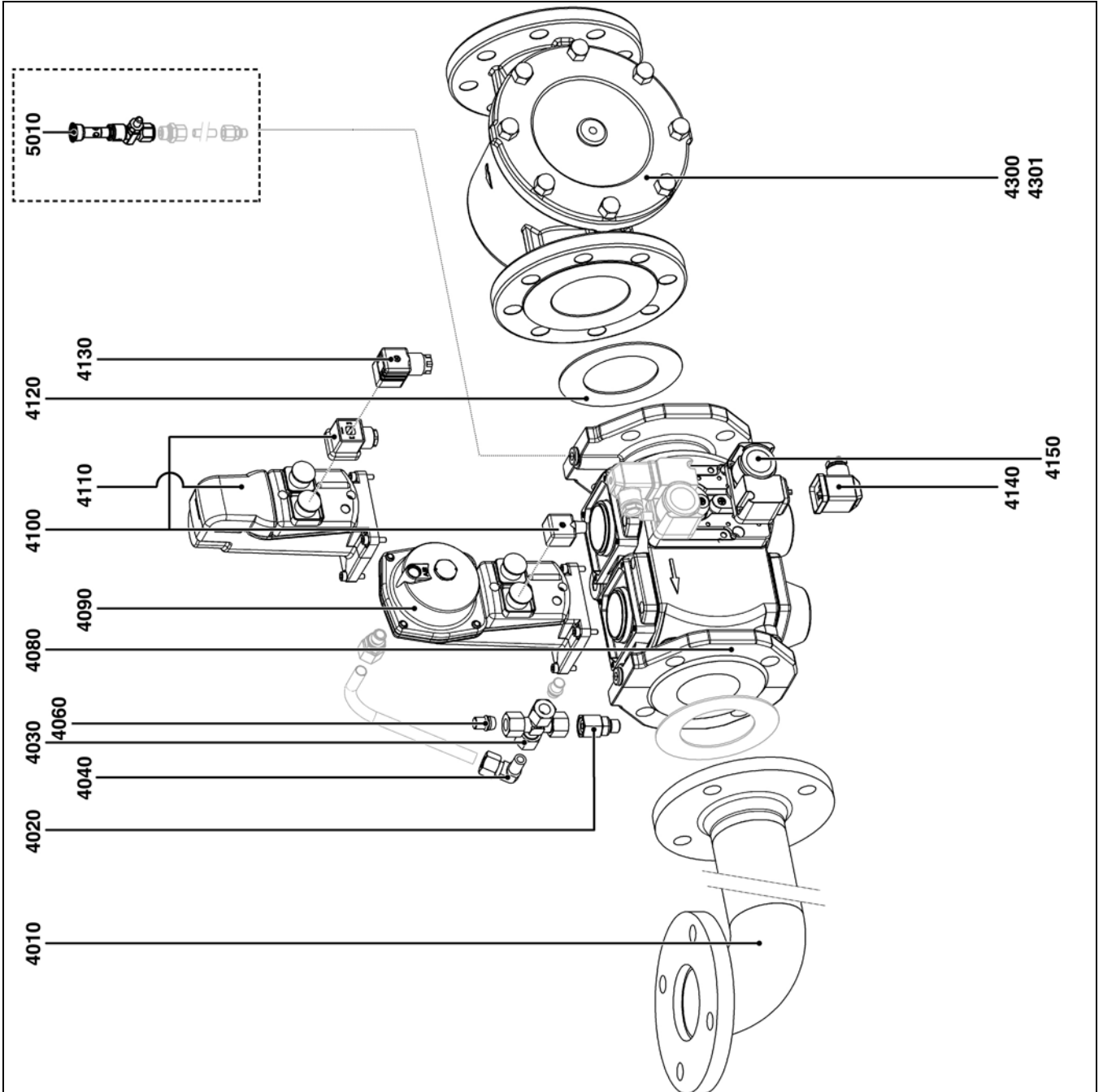
| Pos. | Art. Nr.               | Art. Nr.     |
|------|------------------------|--------------|
| 3010 | N6/7.2400/4500-Rp1½"   | 14 041 658   |
|      | N6/7.2400/4500-Rp2"    | 14 040 778   |
| 3020 | N6/7.2400/4500         | 514 863 7496 |
| 3030 | N6/7.2400/4500         | 333 326 1901 |
| 3040 | N6/7.2400/4500         | 146 823 1081 |
| 3060 | N6/7.2400/4500-Rp1½"   | 147 883 6146 |
|      | N6/7.2400/4500-Rp2"    | 147 883 6157 |
| 3070 | N6/7.2400/4500         | 147 883 9087 |
| 3080 | N6/7.2400/4500         | 147 883 6204 |
| 3090 | N6/7.2400/4500         | 147 883 6180 |
| 3110 | N6/7.2400/4500-Rp1½"   | 14 081 610   |
|      | N6/7.2400/4500-Rp2"    | 14 081 621   |
| 3120 | N6/7.2400/4500         |              |
|      | GW500 A5 (30-500 mbar) | 14 078 013   |
|      | GW150 A6 (Option)      | 1768836237   |
| 3130 | N6/7.2400/4500         | 147 883 6215 |
| 3140 | N6/7.2400/4500         | 614 849 4668 |
| 3300 | Rp1½"                  | 14 013 773   |
|      | Rp2"                   | 14 013 784   |
|      | DN65                   | 14 013 861   |
|      | DN80                   | 14 013 872   |
| 3301 | Rp1½"                  | 14 018 624   |
|      | DN65                   | 14 018 635   |
|      | DN80                   | 14 018 646   |
| 5010 | N6/7.2400/4500         | 147 842 1605 |
|      |                        | 65311 503    |
|      |                        | 65311 488    |
|      |                        | 65311 606    |
|      |                        | 65311 604    |
|      |                        | 65311 579    |
|      |                        | 65311 580    |
|      |                        | 65311 581    |
|      |                        | 65107 100    |
|      |                        | 65311 585    |
|      |                        | 65311 584    |
|      |                        | 65000 673    |
|      |                        | 65311 377    |
|      |                        | 65310 852    |
|      |                        | 13 016 338   |
|      |                        | 65311 586    |
|      |                        | 65311 615    |
|      |                        | 65311 458    |
|      |                        | 65311 459    |
|      |                        | 65311 460    |
|      |                        | 65311 461    |
|      |                        | 65311 361    |
|      |                        | 65311 723    |
|      |                        | 65311 888    |
|      |                        | 65311 362    |



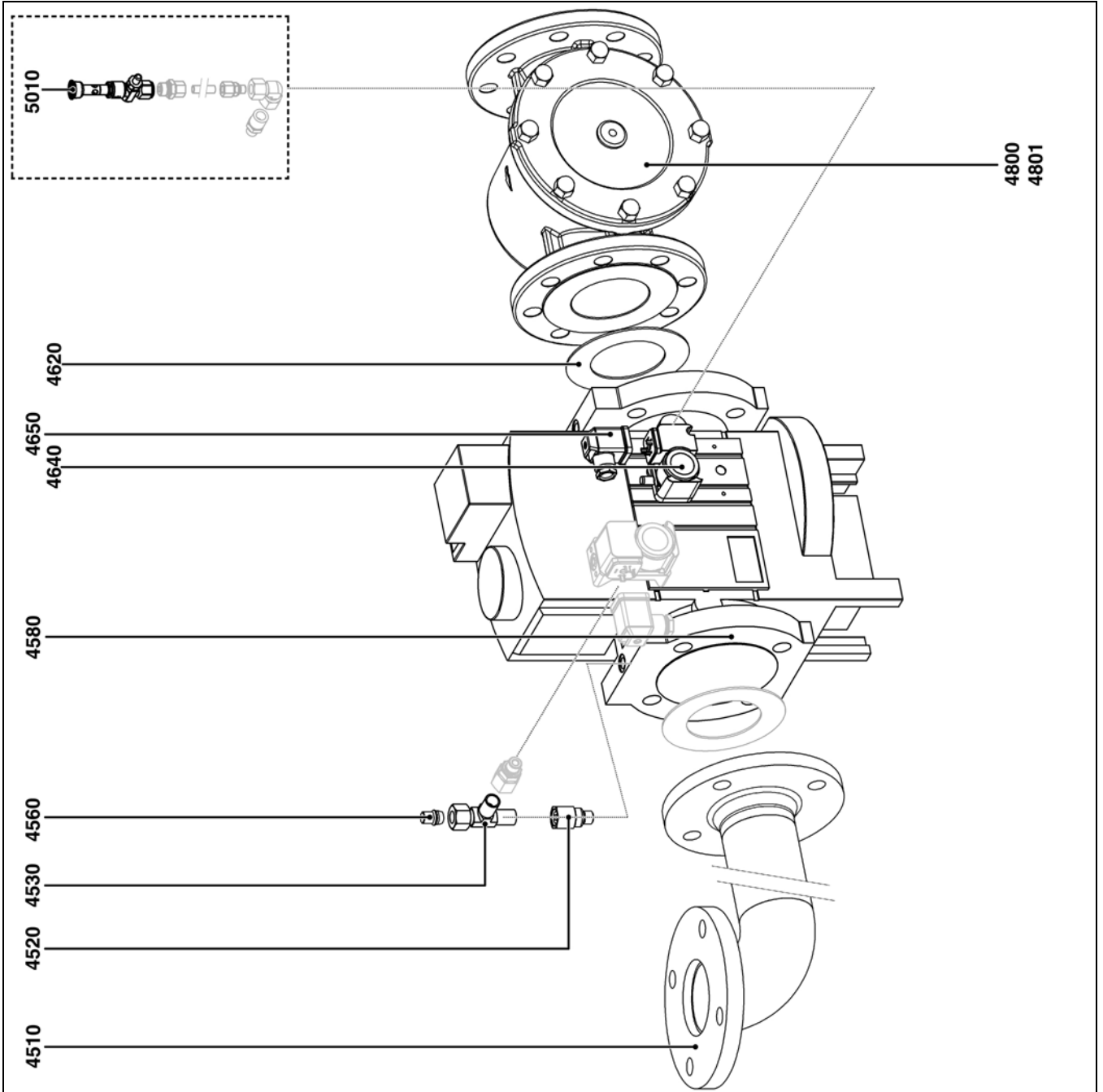
| Pos. | Art. Nr.  |  |
|------|---|--|
| 3510 | Rp1"1/4<br>Rp1"1/2<br>Rp2"                                    | 65311 836<br>65311 836<br>65311 837              |
| 3580 | Rp1"1/4<br>Rp1"1/2<br>Rp2"                                    | 65311 838<br>65311 839<br>65311 840              |
| 3620 | Rp1"1/4<br>Rp1"1/2<br>Rp2"                                    | 65311 841<br>65311 842<br>65311 843              |
| 3640 | N6/7.2400/4500<br>GW500 A5 (30-500 mbar)<br>GW150 A5 (Option) | 65310 852<br>176 883 6453<br>65310 818           |
| 3650 | N6/7.2400/4500  | 65311 615  |
| 3700 | MBC 300<br>MBC 700<br>MBC 1200                                | 13 022 415<br>13 022 416<br>13 022 417           |
| 3800 | Rp1 1/2"<br>Rp2"<br>DN65<br>DN80                              | 65311 458<br>65311 459<br>65311 460<br>65311 461 |
| 3801 | Rp1 1/2"<br>DN65<br>DN80                                      | 65311 361<br>65311 723<br>65311 888              |
| 5010 | N6/7.2400/4500  | 147 842 1605<br>65311 362                        |



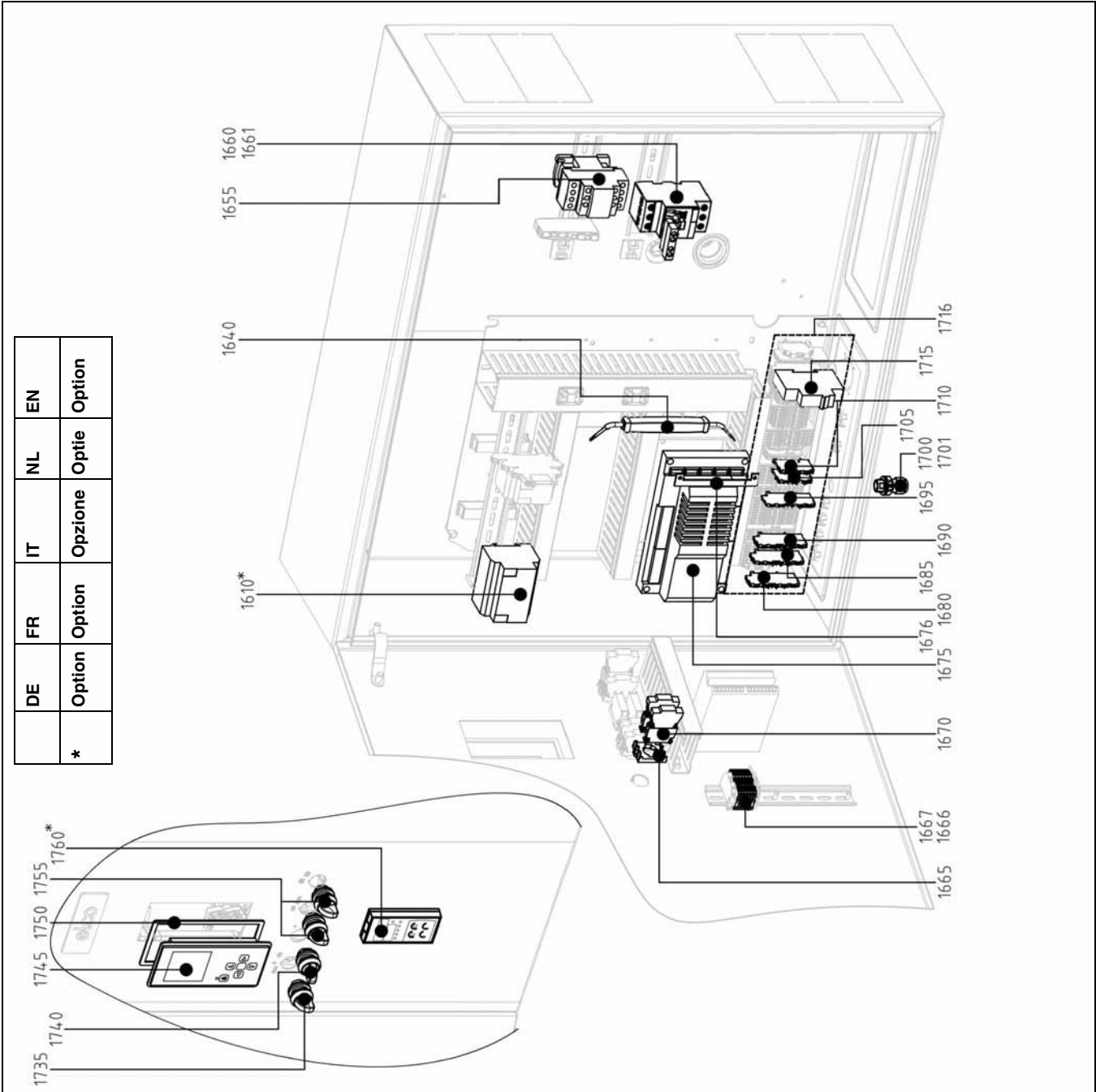
| Pos. |   | Art. Nr.   | Art. Nr.  |
|------|---|--|---|
| 4010 | DN65<br>DN80<br>DN100<br>DN125                                | 14 042 164<br>14 041 306<br>14 042 186<br>14 042 197                         | 65311 506<br>65311 494<br>65311 508<br>65311 509              |
| 4020 | N6/7.2400/4500  | 3333 112 310   | 65311 601   |
| 4030 | N6/7.2400/4500  | 514 861 5436   | 65311 605   |
| 4040 | N6/7.2400/4500  | 3333 117 114   | 65311 603   |
| 4060 | N6/7.2400/4500  | 514 872 4365   | 65311 607   |
| 4080 | DN65<br>DN80<br>DN100<br>DN125                                | 147 883 6168<br>147 883 6179<br>147 885 2813<br>14 000 210                   | 65311 582<br>65311 583<br>65311 590<br>65311 543              |
| 4090 | N6/7.2400/4500  | 147 883 9087   | 65107 100   |
| 4100 | N6/7.2400/4500  | 147 883 6204   | 65311 585   |
| 4110 | N6/7.2400/4500  | 147 883 6180   | 65311 584   |
| 4120 | DN65<br>DN80<br>DN100<br>DN125<br>DN150                       | 578 842 8628<br>578 842 8639<br>578 842 8640<br>578 842 8651<br>578 842 8662 | 65311 611<br>65311 612<br>65311 613<br>65311 614<br>65311 342 |
| 4130 | N6/7.2400/4500  | 147 883 6215   | 65311 586   |
| 4140 | N6/7.2400/4500  | 614 849 4668   | 65311 615   |
| 4150 | N6/7.2400/4500<br>GW500 A5 (30-500 mbar)<br>GW150 A6 (Option) | 14 078 013<br>1768836237   | 65310 852<br>13016 338  |
| 4300 | DN65<br>DN80<br>DN100<br>DN125<br>DN150                       | 14 013 861<br>14 013 872<br>14 013 883<br>14 013 894<br>14 013 905           | 65311 460<br>65311 461<br>65311 462<br>65311 463<br>65311 892 |
| 4301 | DN65<br>DN80<br>DN100<br>DN125<br>DN150                       | 14 018 635<br>14 018 646<br>14 018 657<br>14 018 646<br>14 018 679           | 65311 723<br>65311 888<br>65311 889<br>65311 890<br>65311 623 |
| 5010 | N8/9.5700/6500  | 147 842 1605   | 65311 362   |



| Pos. |                        | Art. Nr.     |            |
|------|------------------------|--------------|------------|
| 4510 | DN65                   | 14 042 164   | 65311 506  |
|      | DN80                   | 14 041 306   | 65311 494  |
|      | DN100                  | 14 042 186   | 65311 508  |
|      | DN125                  | 14 042 197   | 65311 509  |
| 4520 | N6/7.2400/4500         | 3333 112 310 | 65311 601  |
| 4530 | N6/7.2400/4500         | 3333 101 910 | 65311 344  |
| 4560 |                        | 514 872 4365 | 65311 607  |
| 4580 | DN65                   | 14 002 003   | 65311 844  |
|      | DN80                   | 14 002 014   | 65311 845  |
|      | DN100                  | 14 002 025   | 65311 846  |
|      | DN125                  | 14 043 781   | 65311 847  |
| 4620 | DN65                   | 578 842 8628 | 65311 611  |
|      | DN80                   | 578 842 8639 | 65311 612  |
|      | DN100                  | 578 842 8640 | 65311 613  |
|      | DN125                  | 578 842 8651 | 65311 614  |
| 4640 | N6/7.2400/4500         |              |            |
|      | GW500 A5 (30-500 mbar) | 14 078 013   | 65310 852  |
|      | GW150 A6 (Option)      | 1768836237   | 13 016 338 |
| 4650 | N6/7.2400/4500         | 614 849 4668 | 65311 615  |
| 4800 | DN65                   | 14 013 861   | 65311 460  |
|      | DN80                   | 14 013 872   | 65311 461  |
|      | DN100                  | 14 013 883   | 65311 462  |
|      | DN125                  | 14 013 894   | 65311 463  |
| 4801 | DN150                  | 14 013 905   | 65311 892  |
|      | DN65                   | 14 018 635   | 65311 723  |
|      | DN80                   | 14 018 646   | 65311 888  |
|      | DN100                  | 14 018 657   | 65311 889  |
| 5010 | DN125                  | 14 018 646   | 65311 890  |
|      | DN150                  | 14 018 679   | 65311 623  |
|      | N6/7.2400/4500         | 147 842 1605 | 65311 362  |



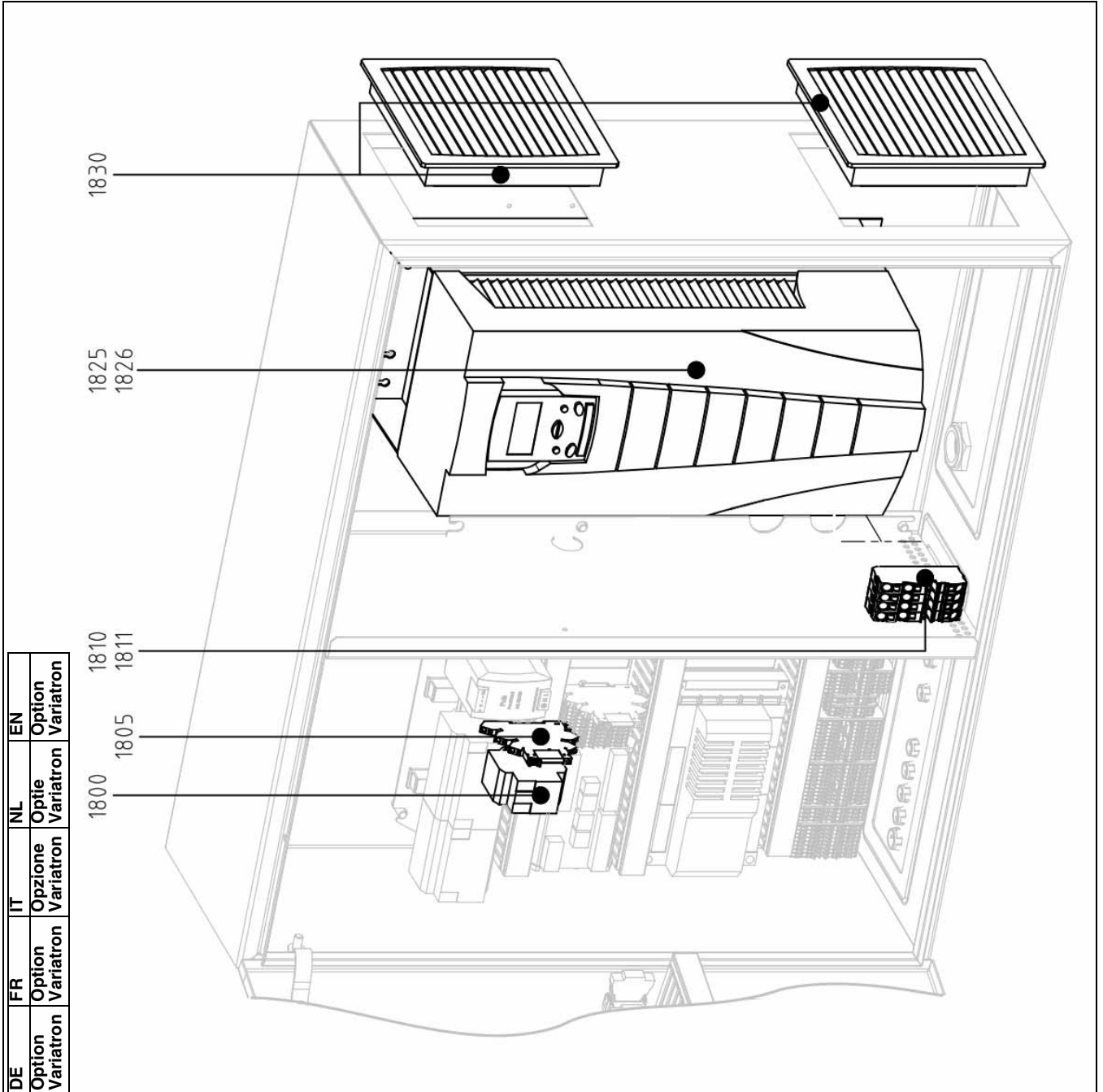
|   | DE     | FR     | IT      | NL    | EN     |
|---|--------|--------|---------|-------|--------|
| * | Option | Option | Opzione | Optie | Option |



| Pos.  |                   | Art. Nr.     |            |
|-------|-------------------|--------------|------------|
| 1610* | N6/N7             | 14 058 488   | 65 311 790 |
| 1640  | N6/N7             | 14 076 022   | 65 311 446 |
| 1655  | N6                | 14 043 165   | 65 311 793 |
|       | N7.3600           | 14 046 498   | 65 312 032 |
|       | N7.4500           | 14 046 509   | 65 311 947 |
| 1660  | N6                | 14 043 187   | 65 311 794 |
|       | N7.3600           | 14 046 366   | 65 312 033 |
|       | N7.4500           | 14 046 377   | 65 311 776 |
| 1661  | N6/N7             | 14 043 198   | 65 311 795 |
| 1665  | N6/N7             | 14 042 032   | 65 311 919 |
| 1666  | N6/N7             | 14 041 922   | 65 311 443 |
| 1667  | N6/N7             | 14 041 900   | 65 311 444 |
| 1670  | N6/N7 - CLED230   | 14 042 054   | 65 311 920 |
|       | N6/N7 - CK01      | 14 042 879   | 65 311 921 |
|       | N6/N7 - CK02      | 14 055 551   | 65 311 922 |
|       | N6/N7 - CK10      | 14 042 043   | 65 311 923 |
|       | N6/N7 - CK20      | 14 055 540   | 65 311 924 |
| 1675  | N6/N7 - BT 320    | 14 058 411   | 65 312 020 |
|       | N6/N7 - BT 330*   | 14 058 422   | 65 325 776 |
| 1676  | N6/N7 - BT 3xx    | 14 058 378   | 65 311 926 |
| 1680  | N6/N7             | 14 041 944   | 65 311 927 |
| 1685  | N6/N7             | 14 041 977   | 65 311 445 |
| 1690  | N6/N7             | 14 041 955   | 65 311 449 |
| 1695  | N6/N7             | 14 041 966   | 65 311 447 |
| 1700  | N6/N7 - CLICK M16 | 14 081 115   | 65 311 451 |
|       | N6/N7 - CLICK M20 | 14 081 126   | 65 311 758 |
|       | N6/N7 - CLICK M25 | 14 081 137   | 65 311 759 |
| 1701  | N6/N7 - CLICK M16 | 14 083 469   | 65 311 928 |
|       | N6/N7 - CLICK M20 | 14 083 480   | 65 311 929 |
|       | N6/N7 - CLICK M25 | 14 083 491   | 65 311 930 |
| 1705  | N6/N7             | 14 041 922   | 65 311 443 |
| 1710  | N6/N7             | 14 041 933   | 65 311 441 |
| 1715  | N6/N7 - 10A       | 14 043 033   | 65 311 931 |
| 1716  | N6/N7             | 14 081 027   | 65 311 932 |
| 1735  | N6/N7             | 14 043 044   | 65 311 436 |
| 1740  | N6/N7             | 14 046 663   | 65 311 437 |
| 1745  | N6/N7             | 14 058 400   | 65 311 363 |
| 1750  | N6/N7             | 14 066 903   | 65 311 364 |
| 1755  | N6/N7             | 14 042 021   | 65 311 438 |
| 1760* | N6/N7             | 175 880 3952 | 65 310 415 |



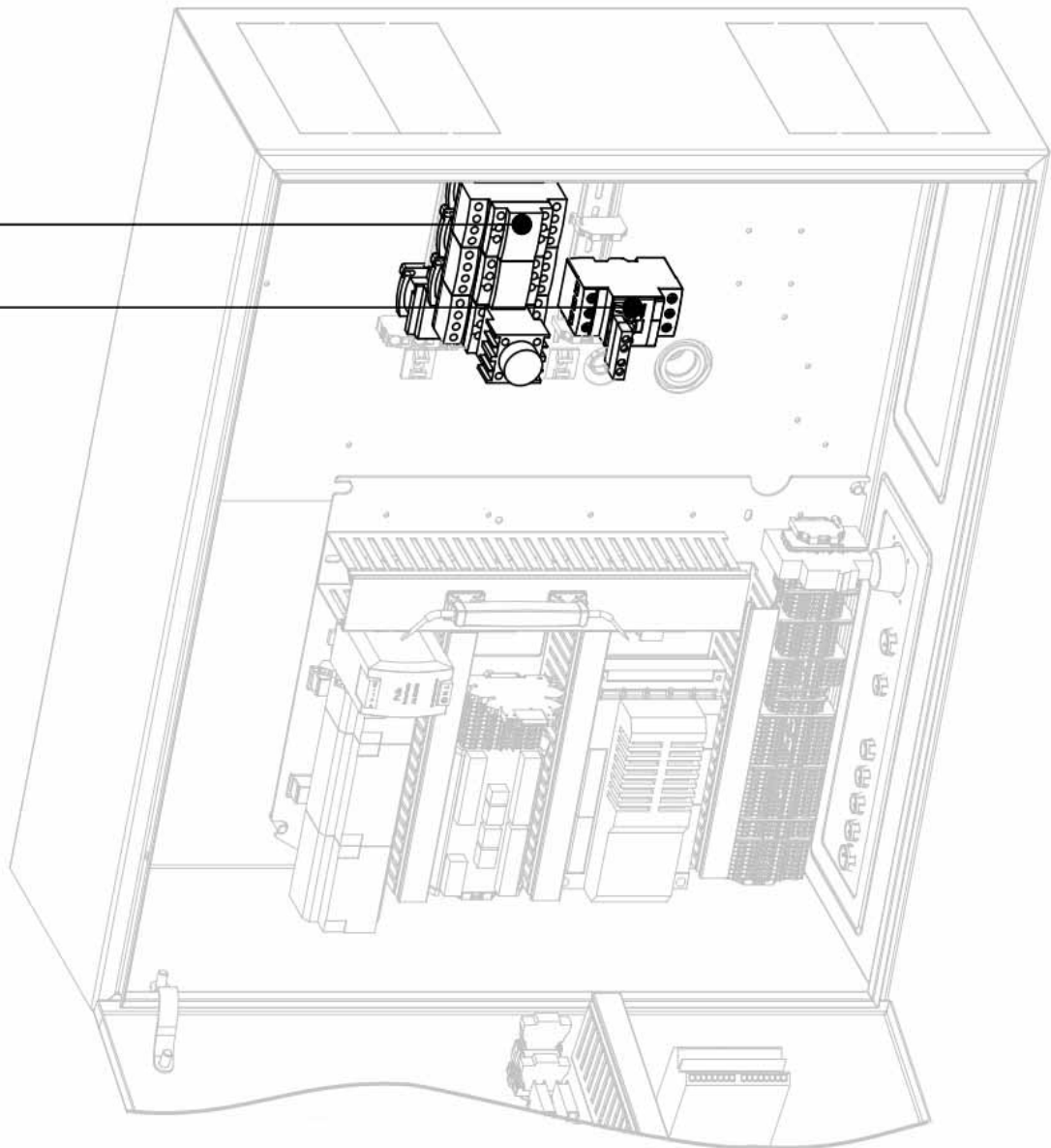
| Pos. | Art. Nr.   |            |
|------|------------|------------|
| 1800 | 14 058 455 | 65 311 918 |
| 1805 | 14 057 212 | 65 311 940 |
| 1810 | 14 046 839 | 65 311 949 |
| 1811 | 14 046 861 | 65 311 950 |
| 1825 | 14 045 981 | 65 311 951 |
|      | 14 044 408 | 65 311 952 |
|      | 14 045 992 | 65 312 037 |
|      | 14 046 003 | 65 311 953 |
| 1826 |            | 65 311 954 |
| 1830 | 14 042 978 | 65 311 955 |



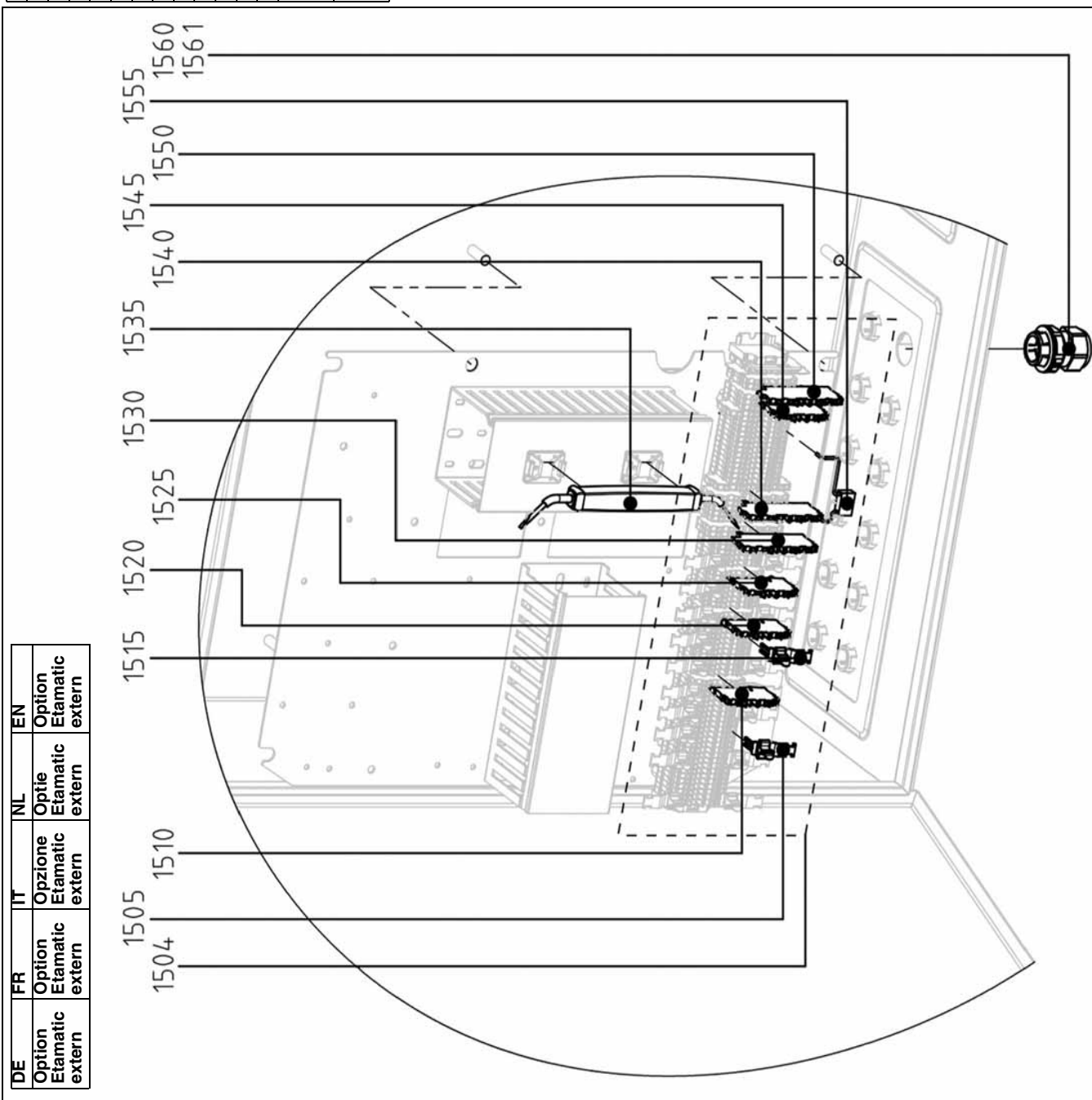
|      |          |            |
|------|----------|------------|
| Pos. | Art. Nr. |            |
| 1860 | N6       | 65 311 794 |
|      | N7.3600  | 65 312 033 |
|      | N7.4500  | 65 311 776 |
| 1861 | N6/N7    | 65 311 795 |
| 1865 | N6/N7    | 65 311 948 |

|                      |                          |                          |                     |                   |
|----------------------|--------------------------|--------------------------|---------------------|-------------------|
| DE                   | FR                       | IT                       | NL                  | EN                |
| Option Stern-Dreieck | Option Etoile - triangle | Opzione Stella-triangolo | Optie ster-driehoek | Option Star-Delta |

1860 1865  
1861



| Pos. | Art. Nr.          | Art. Nr.   |
|------|-------------------|------------|
| 1504 | N6/N7             | 65 312 024 |
| 1505 | N6/N7             | 14 081 423 |
| 1510 | N6/N7             | 14 065 231 |
| 1515 | N6/N7             | 14 041 933 |
| 1520 | N6/N7             | 14 065 242 |
| 1525 | N6/N7             | 14 041 922 |
| 1530 | N6/N7             | 14 041 900 |
| 1535 | N6/N7             | 14 041 977 |
| 1540 | N6/N7             | 14 076 022 |
| 1545 | N6/N7             | 14 041 966 |
| 1550 | N6/N7             | 14 041 889 |
| 1555 | N6/N7             | 14 041 955 |
| 1560 | N6/N7 - CLICK M16 | 14 042 087 |
|      | N6/N7 - CLICK M20 | 14 081 115 |
|      | N6/N7 - CLICK M25 | 14 081 126 |
|      | N6/N7 - CLICK M25 | 14 081 137 |
| 1561 | N6/N7 - CLICK M16 | 14 083 469 |
|      | N6/N7 - CLICK M20 | 14 083 480 |
|      | N6/N7 - CLICK M25 | 14 083 491 |



| DE                     | FR                     | IT                      | NL                    | EN                     |
|------------------------|------------------------|-------------------------|-----------------------|------------------------|
| Option Etamatic extern | Option Etamatic extern | Opzione Etamatic extern | Optie Etamatic extern | Option Etamatic extern |