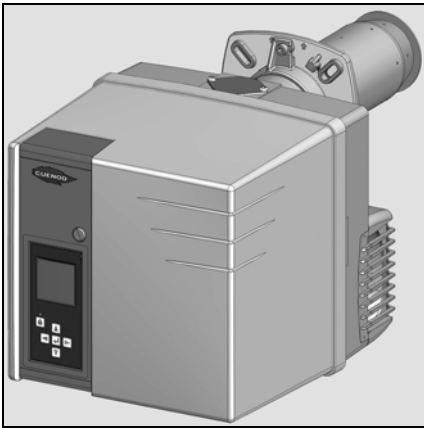


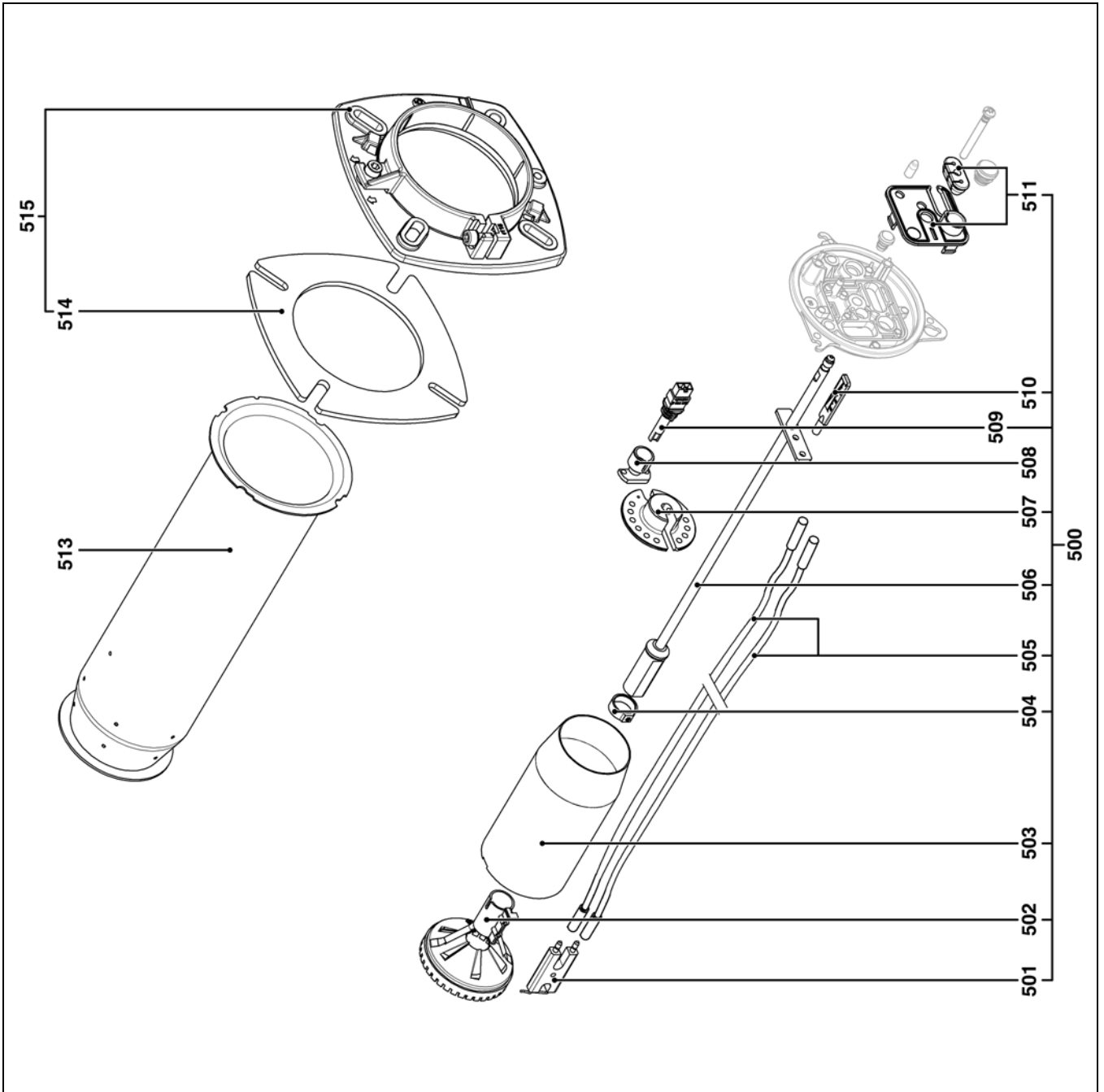
**Pièces de rechange  
Parti ricambi  
Spare parts list  
Запчасти  
Piezas de recambio**



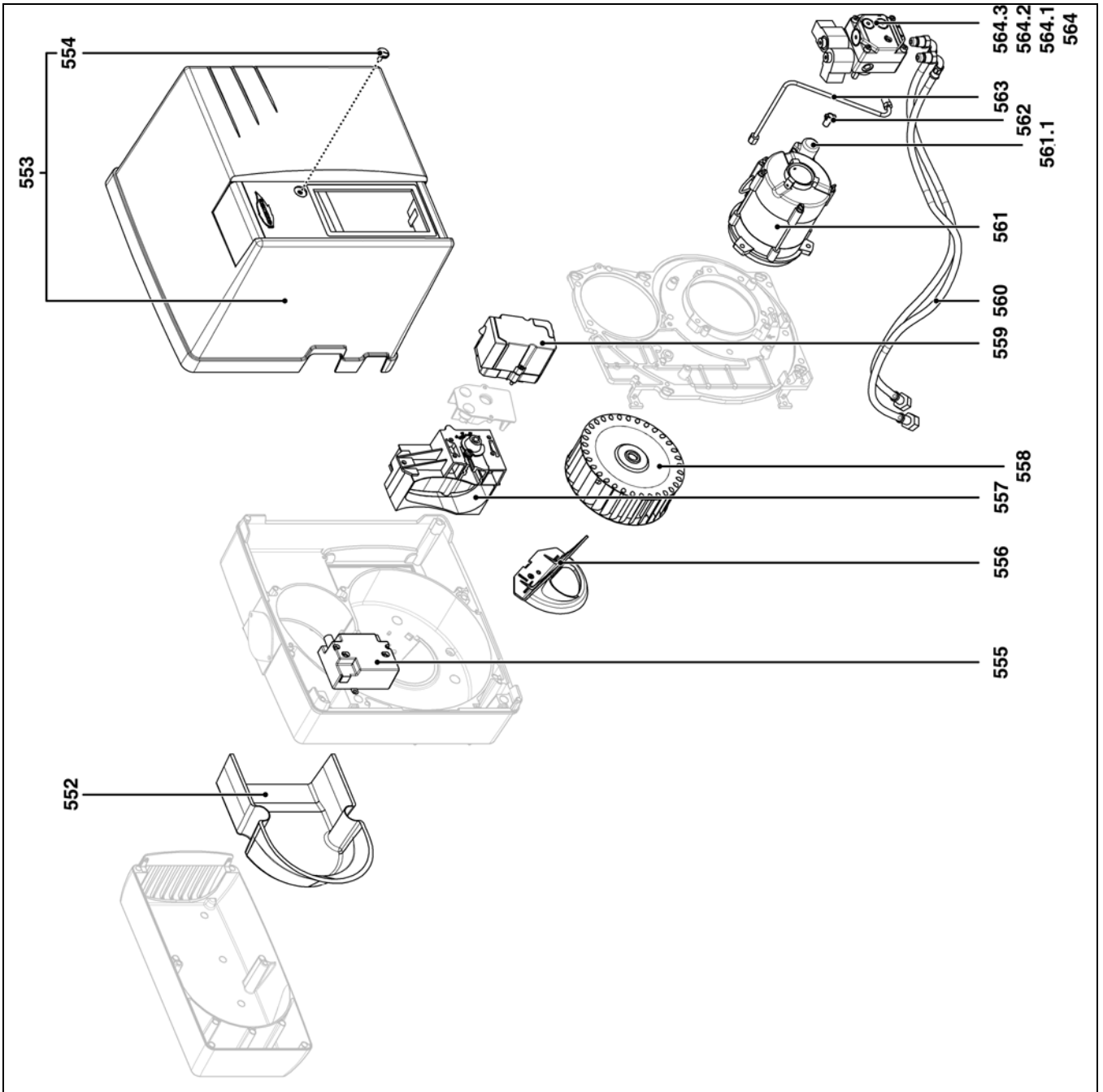
<b>NC12HX201A</b>		
	T2	3 833 127
<b>NC16HX201A</b>		
	T2	3 833 128



Pos.	Art. Nr.	Art. Nr.
500	NC12HX201A T2 NC16HX201A T2	65 300 719 * 65 300 720 *
501	NC12/16HX201A	13 007 907
502	NC12/16HX201A	13 022 882
503	NC12/16HX201A	13 020 885
504	NC12/16HX201A	13 018 403
505	NC12/16HX201A	13 018 090
506	NC12/16HX201A	65 300 721
507	NC12/16HX201A	13 022 881
508	NC12/16HX201A	13 010 460
509	NC12/16HX201A	13 009 774
510	NC12/16HX201A	13 017 802
511	NC12/16HX201A	13 016 951
513	NC12/16HX201A	65 300 722
514	NC12/16HX201A	13 023 305
515	NC12/16HX201A	13 023 304
516	NC12/16HX201A	13 023 304



Pos.	Art. Nr.	Art. Nr.
552	NC12/16HX201A	13 023 776
553	NC12/16HX201A	65 300 769
554	NC12/16HX201A	65 300 519
555	NC12/16HX201A	13 009 663
556	NC12HX201A	13 023 622
	NC16HX201A	65 300 724
557	NC12/16HX201A	13 023 775
558	NC12/16HX201A	13 010 012
	NC16HX201A	13 010 095
559	NC12/16HX201A	65 300 527
560	NC12/16HX201A	13 004 833
561	NC12/16HX201A	13 010 014
561.1	NC12/16HX201A 6µF	13 010 016
562	NC12/16HX201A	13 015 526
563	NC12/16HX201A	65 300 725
564	NC12/16HX201A	13 012 681
564.1	NC12/16HX201A	13 012 581
564.2	NC12/16HX201A	13 012 586
564.3	NC12/16HX201A	13 012 580



Pos.	Art. Nr.
601	NC12/16HX201A 65 300 841
602	NC12/16HX201A 13 010 519
603	NC12/16HX201A 65 300 619
604	NC12/16HX201A 13 012 675
605	NC12/16HX201A 65 300 530
606	NC12/16HX201A 65 300 531
607	NC12/16HX201A 13 009 774
607.1	NC12/16HX201A 13 011 093
608	NC12/16HX201A 65 300 727*
609	NC12/16HX201A 65 300 790

