



SPARE PARTS EXPLODED VIEW DUAL-FUEL BURNERS

Model

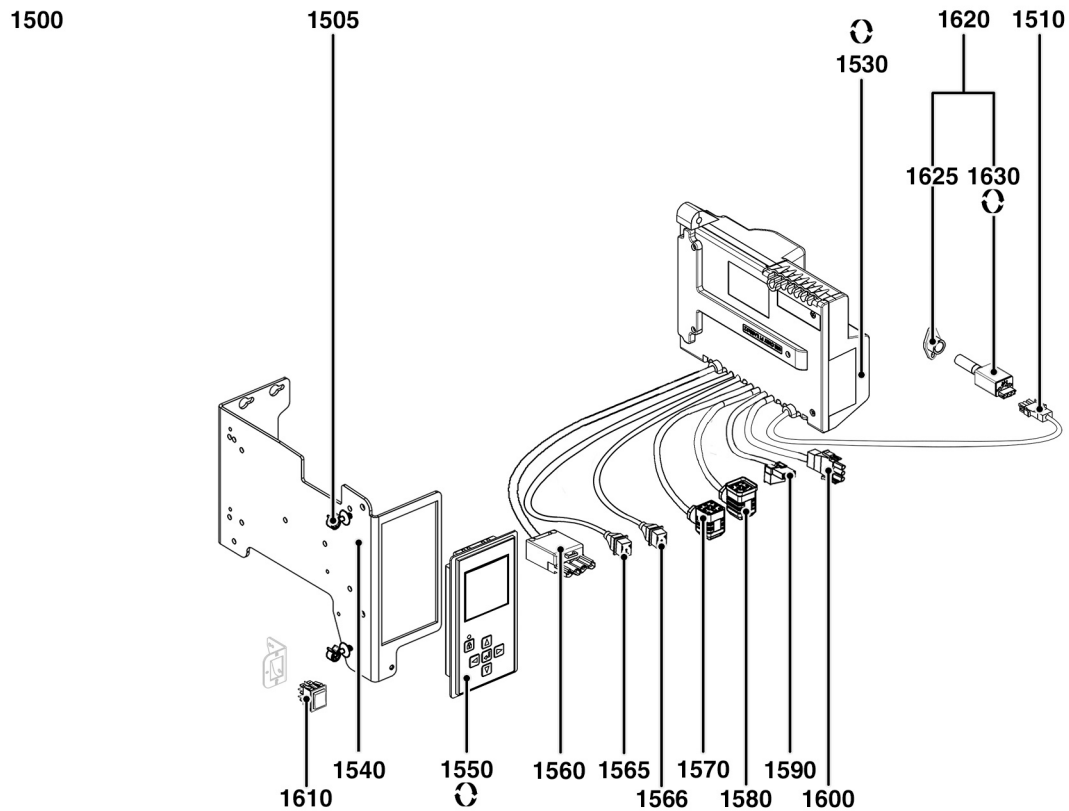
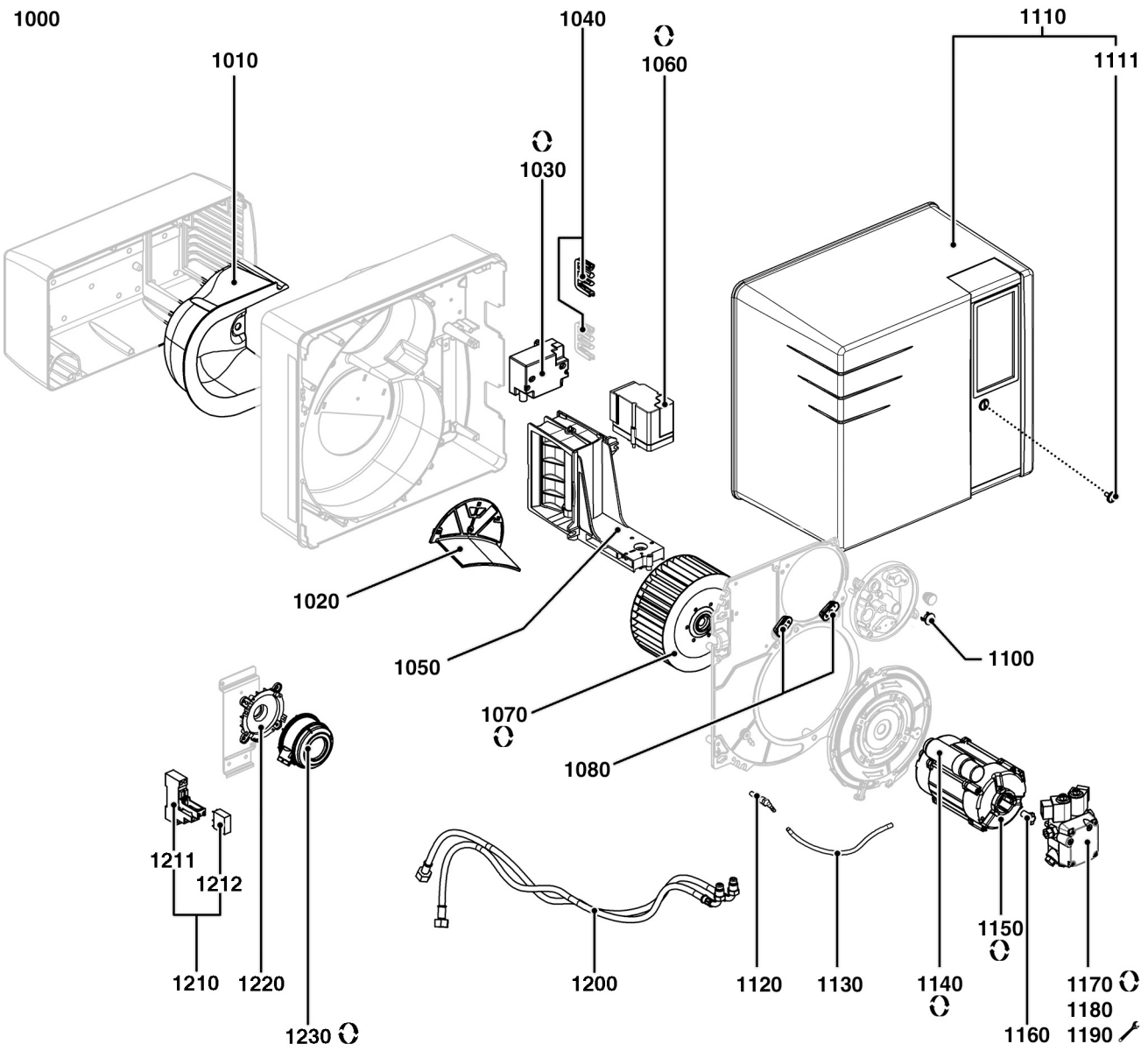
CB-NC29-36-BX2A

R8220091-02 - 06/10/2014

CB-NC29-36-BX2A

Dual-Fuel burner

1	3834443	BB-NC29 BX217A	07-2013	-
2	3834652	BB-NC36 BX217A	07-2013	-
3	3834445	CH-D0421 - T1/KN	03-2014	-
4	3834446	CH-D0421 - T2/KL	03-2014	-
5	3834447	CH-D0422 - T1/KN	03-2014	-
6	3834448	CH-D0422 - T2/KL	03-2014	-
7	3832663	GT-d26 - 3/4" - Rp3/4"	06-2010	-
8	3832656	GT-d25 - 1"1/4 - Rp1"1/4	06-2010	-
9	3833191	GT-d214 - 1"1/2"-Rp2"	03-2012	-
Col	Reference	Model type	Begin	End



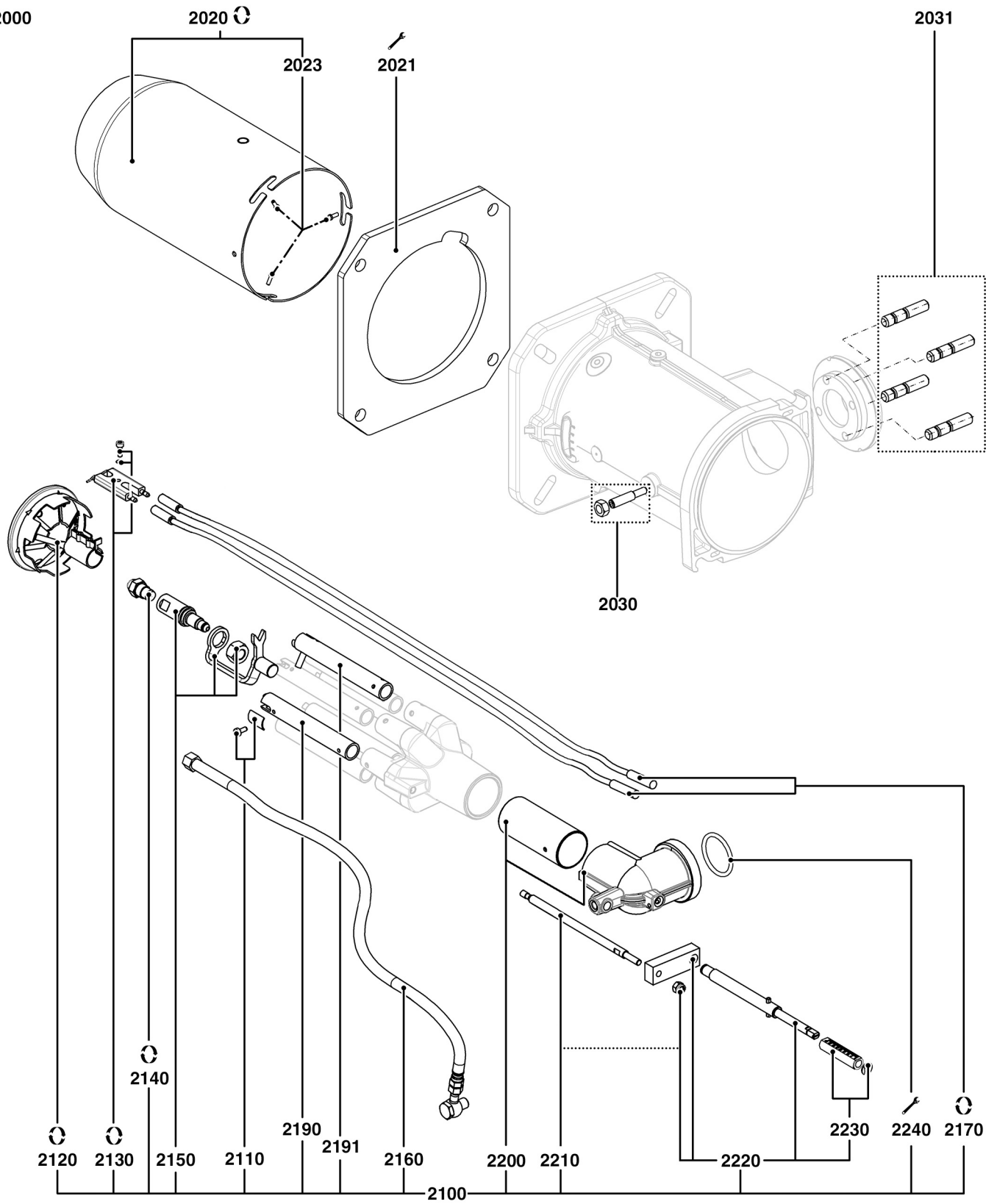
☉	Description	Manf. Pt. N	Type	BB-NC29-BX21A BB-NC36-BX21A CH-D0421-T1/KN CH-D0421-T2/KL CH-D0422-T1/KN CH-D0422-T2/KL GT-F026-3/4" - Rp3/4" GT-F026-1 1/4" - Rp1 1/4" GT-F0214 - 1 1/2" - Rp2"																		From	to
				1	2	3	4	5	6	7	8	9	10	11	12	13	14	15	16	17	18		

31

1000	BURNER BODY																				
1010	SOUND INSULATION	65300518		●	●																
1020	AIR RECYCLING	65300525		●	●																
1030	IGNITION TRANSFO.EBI 2X7,5 230V+EARTH C.	13009663		●	●																
1040	GROMMET/HOUSING	13016845		●	●																
1050	AIR FLAP	65300514		●	●																
1060	ACTUATOR STE 4,5 BO37/6	65300527		●	●																
1070	FAN WHEEL D180X70 d12,7	13021143		●	●																
1080	GROMMET/PLATE	65300517		●	●																
1100	SIGHT GLASS	13007807		●	●																
1110	HOOD NC29/36 + MOUNTING SCREW	65300601		●	●																
1111	FLAT HEAD SCREW M5X15	65300519		●	●																
1120	PRESSURE TAP	13016844		●	●																
1130	HOSE D.4/7 LG. 500 MM	13015497		●	●																
1140	CAPACITOR 10MF	13012984	SIMEL	●	●																
	CAPACITOR 8MF	65300577	ACC	●	●																
1150	MOTOR 0,3KW230V D12,7	65300528		●	●																
1160	PUMP/MOTOR COUPLING	13018143		●	●																
1170	OIL PUMP AT2 45 D 9538 6P 0500	13012002	AS	●	●																
1180	COIL X PUMP AS47/AL35 220/240V	13010006	AS	●	●																
1190	FILTER KIT D.20 A 47/57/67(NM)	13010470	AS	●	●																
1200	OIL HOSE DN6 LG.1,5M+NIPPLE 1/4 (x2)	13004833		●	●																
1210	SET RELAY	13017722		●	●																
1211	RELAY BASE FINDER 95.05	13017720		●	●																
1212	RELAY + CLIPS	13017721		●	●																
1220	AIR PRESSURE SWITCH BASE	13020723		●	●																
1230	AIR PRESSURE SWITCH 0,5-5MBAR	13020502		●	●																

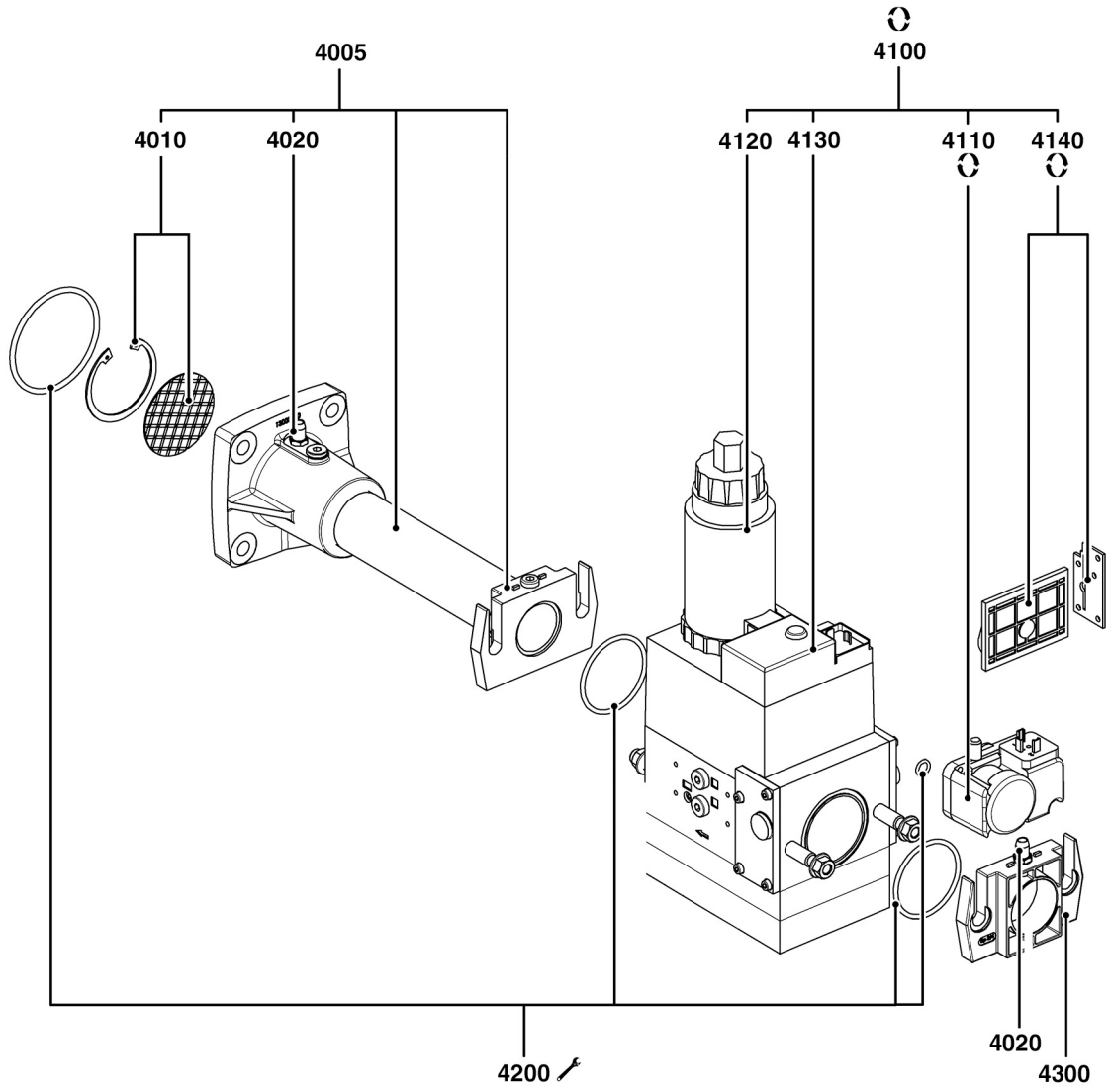
1500	ELECTRIC PART																				
1505	CABLE HOLDER (BLACK) D.6(X10)	65300679		●	●																
1510	CABLE+CONNECT./IRD DETECT.-LG400	65300210		●	●																
1530	CONTROL UNIT TCG 211.00	65300880		●	●																
1540	CONTROL UNIT BRACKET+DISPLAY	65300524		●	●																
1550	DISPLAY TCH/TCG+CABLE	65301109		●	●																
1560	CABLE+4-PIN WIELAND CONNEX. (2ND ST.)	65300531		●	●																
1565	CABLE+CONNECTOR/1ST. STAGE VALVE	65301189		●	●																
1566	CABLE+CONNECTOR/2D STAGE VALVE	65301190		●	●																
1570	CABLE+CONNECT./GAS PRESS. SWITCH	65301191		●	●																
1580	CABLE + CONNECT./VANNE GAZ	65301192		●	●																
1590	CABLE+CONNECTOR/IGNITER	65300619		●	●																
1600	CABLE+CONNECTOR/MOTOR	13010519		●	●																
1610	INTERRUPTEUR 3 POS	13009683		●	●																
1620	PHOTOCELL IRD 1020 BLU AXIAL EQ.	13007158		●	●																
1625	PHOTOCELL HOLD.M93 FOR IRD1020.1	13010461		●	●																
1630	PHOTOCELL IRD 1020 BLU AXIAL	65300218		●	●																

2000



5000





☰⇒	Description	Manf. Pt. N	Type	<div style="float: right; text-align: right;"> 31 </div> BB-NC29-BX21A BB-NC36-BX21A CH-D0421-T1KN CH-D0421-T2KL CH-D0422-T1KN CH-D0422-T2KL GT-026-344-RP3/4" GT-026-11/4-RP1 1/4" GT-0214-1 1/2-RP2"																					
				1	2	3	4	5	6	7	8	9	10	11	12	13	14	15	16	17	18	From	to		
4000	GAS TRAIN																								
4005	COMPLE TUBE 1 1/4" - MB...412	65300571																							
	COMPLE TUBE 3/4" - MB...407	65300572																							
	COMPLETE TUBE 2" - MB...420	65300655																							
4010	GAS FLOW STABILISER+CIRCLIP D.60	13011367																							
4020	PRESSURE TAKE-OFF R1/8	13009722																							
4100	GAS VALVE MBZRDLE407 B01 S50 RP3/4"GW150	13011112																							
	GAS VALVE MBZRDLE412 B01 S20 RP1 1/4	13012275																							
	GAS VALVE MBZRDLE420 B01 S20 RP2"	65300664																							
4110	GAS PRESSURE SWITCH GW 150 A5 DIN	13010078																							
4120	MAGNETIC COIL N°1150 (VA2)	13010073																							
	MAGNETIC COIL N°1250 (VA2)	13012272																							
	MAGNETIC COIL N°1350 (VA2)	13017275																							
4130	MAGNETIC COIL DUNGS N°1231 (VA1)	13017276																							
	MAGNETIC COIL N°1101 (VS+VA)	13010072																							
	MAGNETIC COIL N°1201 (VS+VA)	13012273																							
4140	SCREEN FILTER /MB...405/407	13016011																							
	SCREEN FILTER /MB...410/412	13016012																							
	SCREEN FILTER /MB...420	13007901																							
4200	GASKET SET MB...407	65300575																							
	GASKET SET MB...412	65300576																							
	GASKET SET MB...420	65300671																							
4300	FLANGE MB...407 RP3/4+NIPPLE	65300658																							
	FLANGE MB...412 RP1 1/4+NIPPLE	13022858																							
	FLANGE MB...420 RP2+PLUG P	13007859																							

CB-NC29-36-BX2A



Dual-Fuel burner

ADDRESSES

www.bosch.com

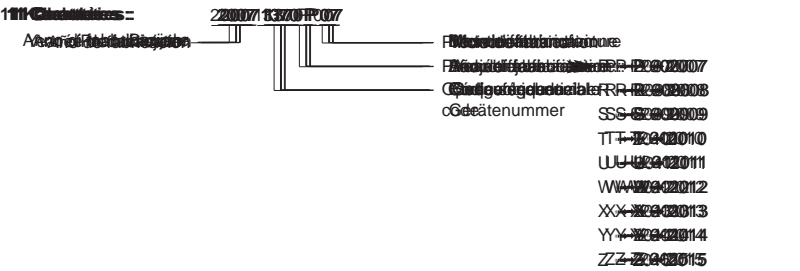


DESCRIZIONE DEI RIFERIMENTI

-  = ~~...~~
-  = ~~...~~
- ~~...~~
- ~~...~~

NUMEROSI SERIE E ANQUE

SERIE 7K



Disegnato e costruito in Italia. Per informazioni sui rivenditori, visitate il sito www.bosch.com. Assistenza clienti: 800 200000. Per informazioni sui rivenditori, visitate il sito www.bosch.com. Per informazioni sui rivenditori, visitate il sito www.bosch.com. Per informazioni sui rivenditori, visitate il sito www.bosch.com. Per informazioni sui rivenditori, visitate il sito www.bosch.com.