

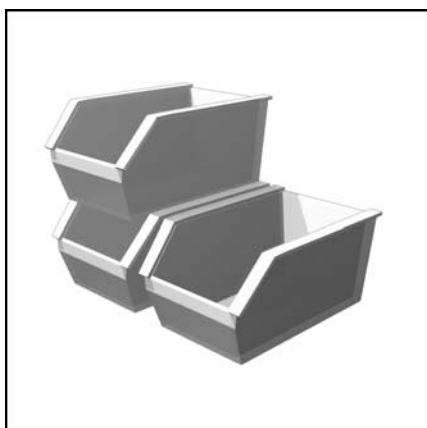
Données techniques
Dati tecnici
Technical data
Технические характеристики
Datos técnicos



fr, it, en..... 4200 1027 4800
ru, es..... 4200 1027 5000

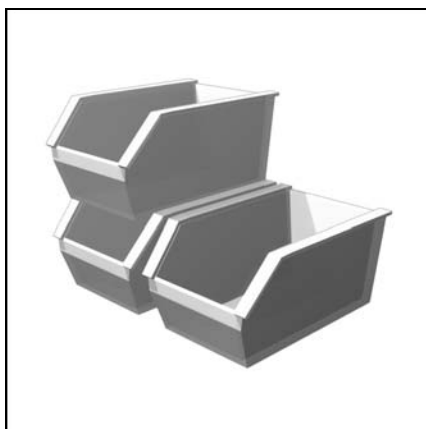


Schémas électrique et hydraulique
Schemi elettrico e idraulico
Electric and hydraulic diagrams
Электрические и гидравлические схемы
Esquemas eléctrico e hidráulico



Pièces de rechange
Parti ricambi
Spare parts list
Запчасти
Piezas de recambio





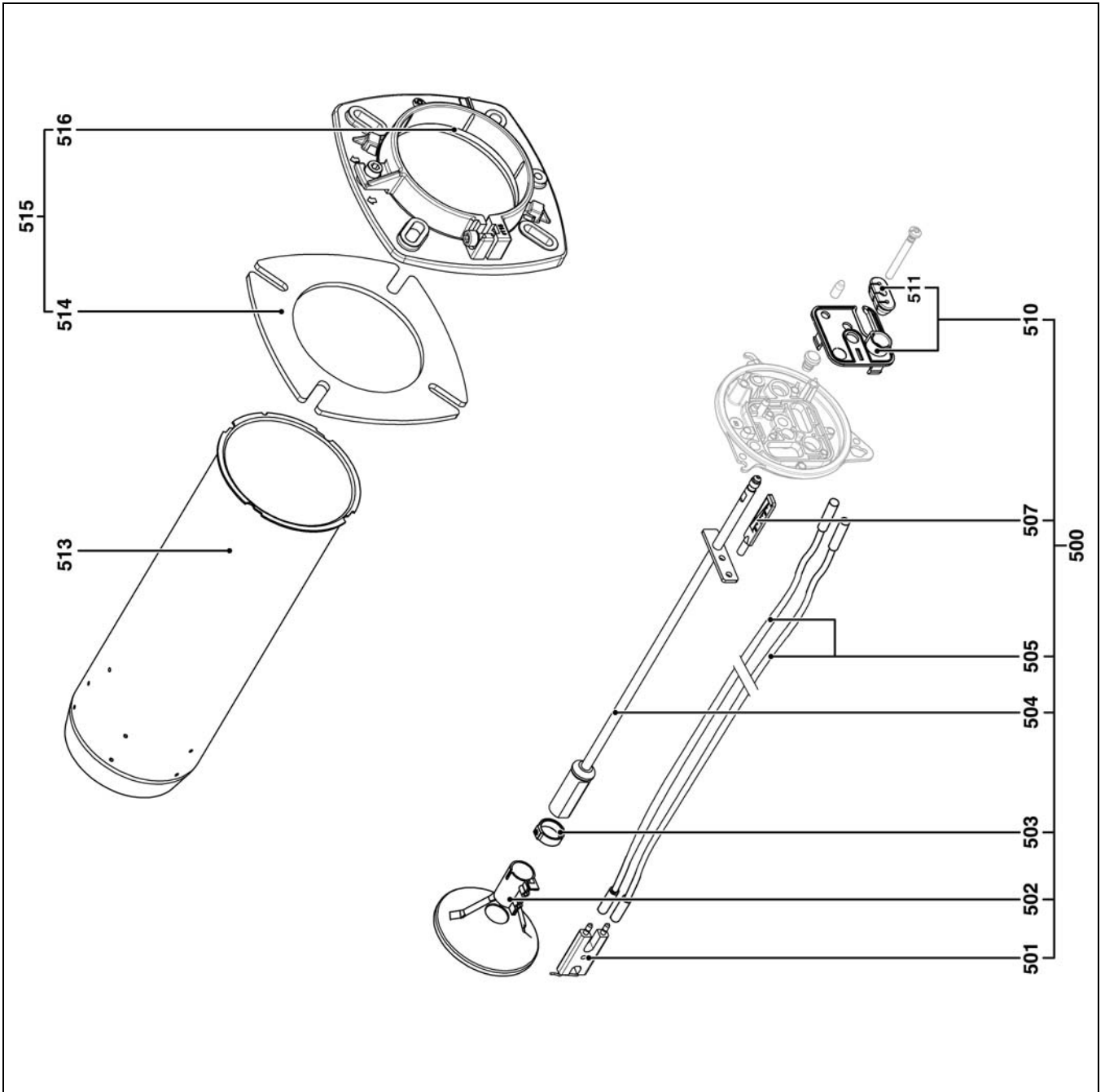
Pièces de rechange
Parti ricambi
Spare parts list
Запчасти
Piezas de recambio



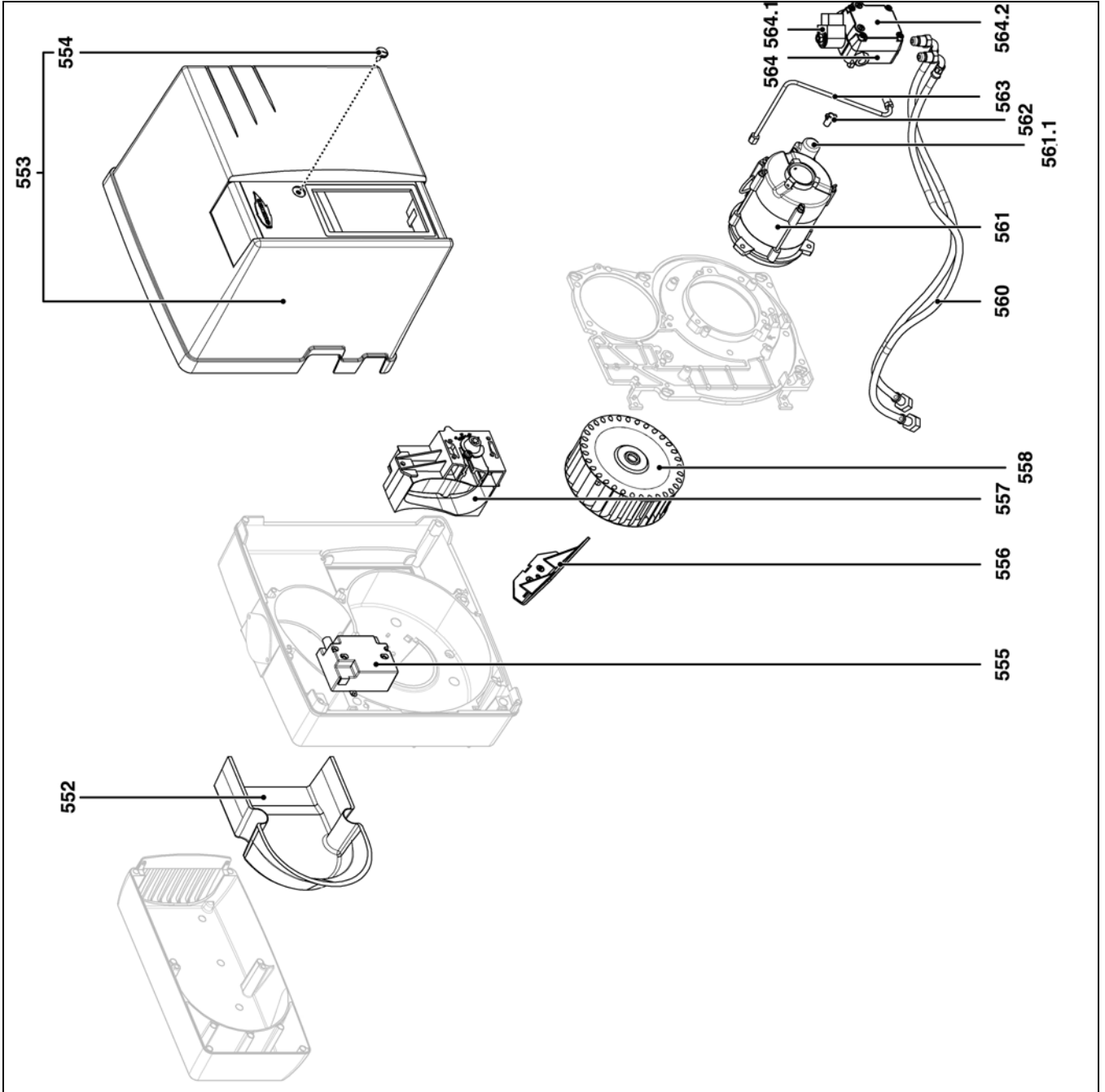
NC14 H101A	
T1	3 833 532
T2	3 833 533
NC20 H101A	
T1	3 833 020
T2	3 833 193



Pos.	Art. Nr.	Art. Nr.
500	NC14 H101A T1 NC14 H101A T2 NC20 H101A T1 NC20 H101A T2	65 300 858* 65 300 859* 13 017 464 * 13 017 465 *
501	NC14/20 H101A	13 018 153
502	NC14 H101A NC20 H101A	13 011 040 13 009 987
503	NC14/20 H101A	13 018 403
504	NC14/20 H101A Lg 300 T1 Lg 420 T2	13 018 141 13 018 142
505	NC14/20 H101A Lg 365 T1 Lg 510 T2	13 013 524 13 014 990
507	NC14/20 H101A	13 017 802
510	NC14/20 H101A	13 016 951
511	NC14/20 H101A	
513	NC14 H101A Ø100/78 Lg 230 T1 Lg 350 T2 NC20 H101A Ø115/100 Lg 230 T1 Lg 350 T2	13 018 136 13 018 137 13 018 148 13 018 149
514	NC14 H101A NC20 H101A	13 023 305 13 018 135
515	NC14 H101A NC20 H101A	13 023 304 13 018 134
516	NC14/20 H101A	13 020 517



Pos.		Art. Nr.
552	NC14/20 H101A	13 017 369
553	NC14/20 H101A	65 300 769
554	NC14/20 H101A	65 300 519
555	NC14/20 H101A	65 300 469
556	NC14 H101A	13 017 363
	NC20 H101A	13 017 364
557	NC14/20 H101A	13 018 138
558	NC14 H101A	13 010 012
	NC20 H101A	13 010 095
560	NC14/20 H101A	13 007 940
	Lg. 1,50m	
561	NC14 H101A	13 009 981
	NC20 H101A	13 010 014
561.1	NC14 H101A 5µF	13 009 983
	NC20 H101A 6µF	13 010 016
562	NC14/20 H101A	13 018 143
563	NC14/20 H101A	65 300 725
564	NC14/20 H101A	13 010 118
	AS47D	65 300 856
	BFP21 L3	
564.1	NC14/20 H101A	13 010 006
	AS47D	13 012 581
	BFP21 L3	
564.2	NC14/20 H101A	65 300 834
	AS47D	13 010 470
	BFP21 L3	13 012 580



Pos.	Art. Nr.	Art. Nr.
600	NC14/20 H101A	13 010 523
601	NC14/20 H101A	65 300 269
602	NC14/20 H101A	13 010 519
603	NC14/20 H101A	65 300 619
604	NC14/20 H101A	13 012 675
606	NC14/20 H101A	65 300 521
607	NC14/20 H101A	13 009 774
607.1	NC14/20 H101A	13 011 093
608	NC14/20 H101A	65 300 727*
609	NC14/20 H101A	65 300 523
610	NC14/20 H101A	13 015 182

