

SPARE PARTS EXPLODED VIEW OIL BURNER

Model

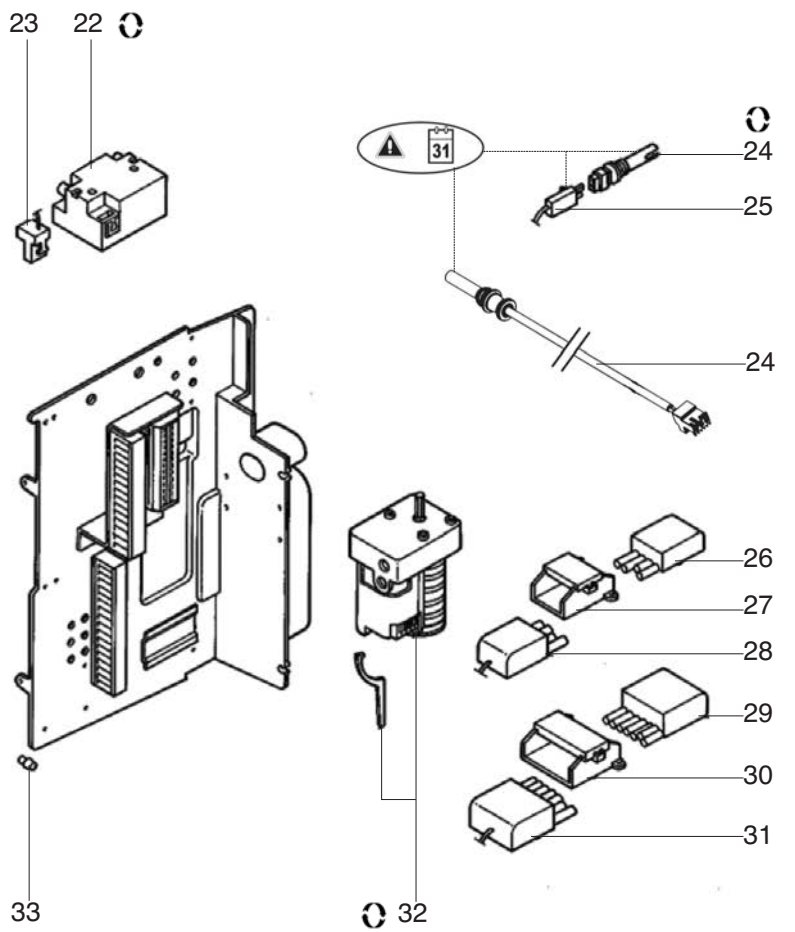
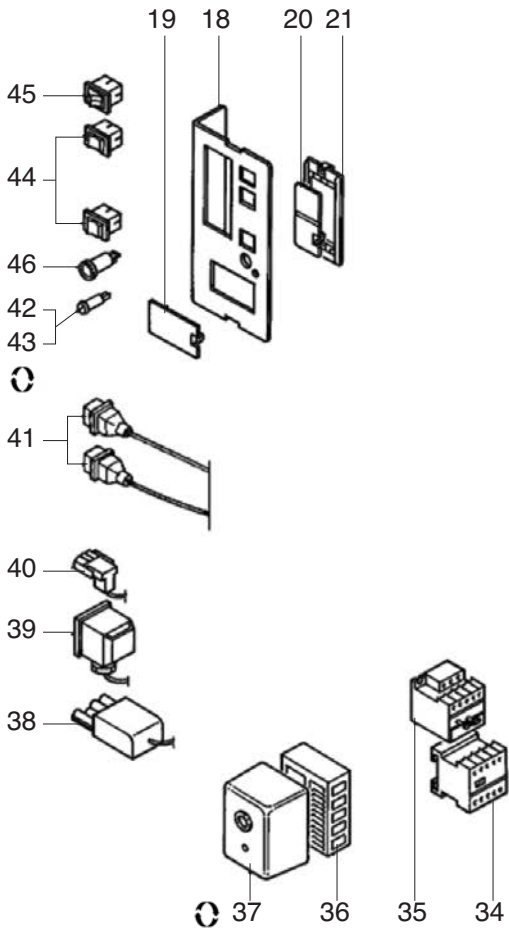
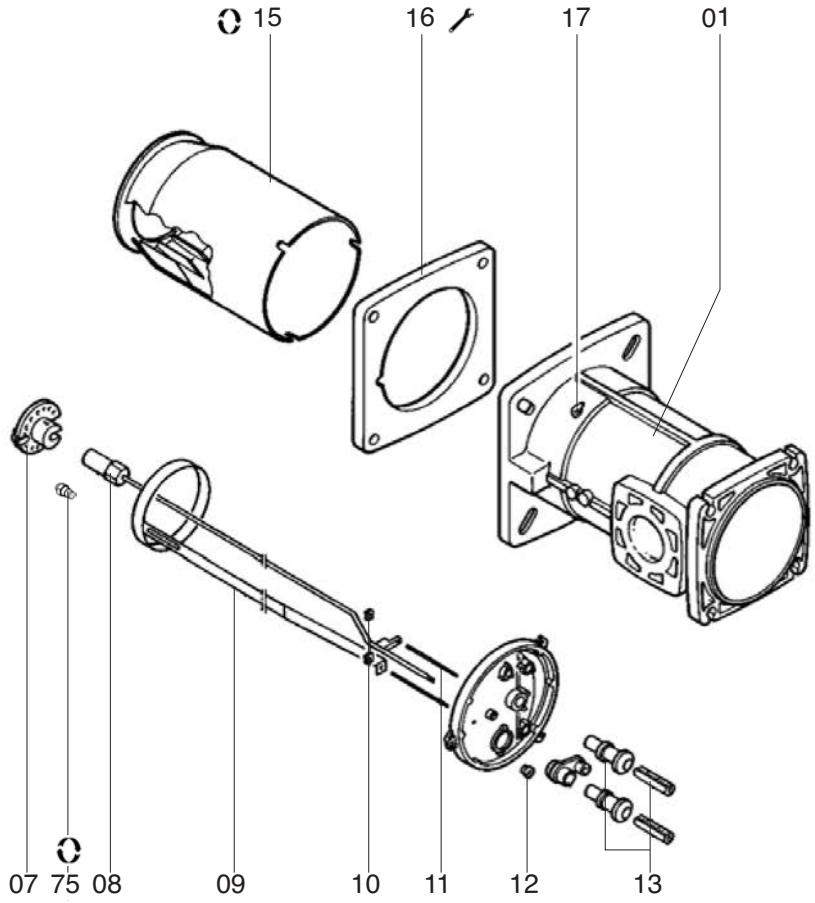
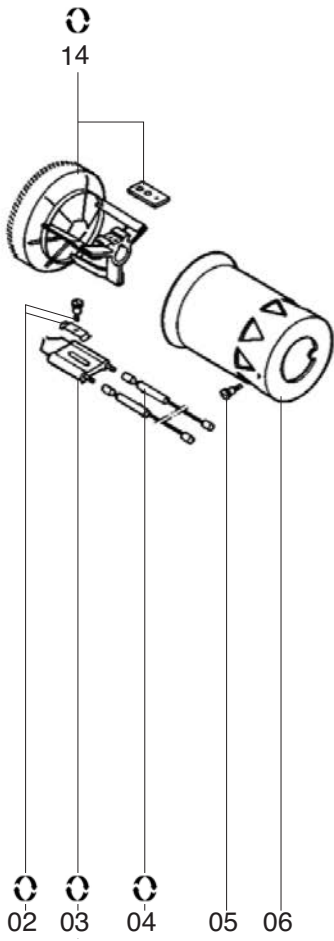
C75, C100 HX201

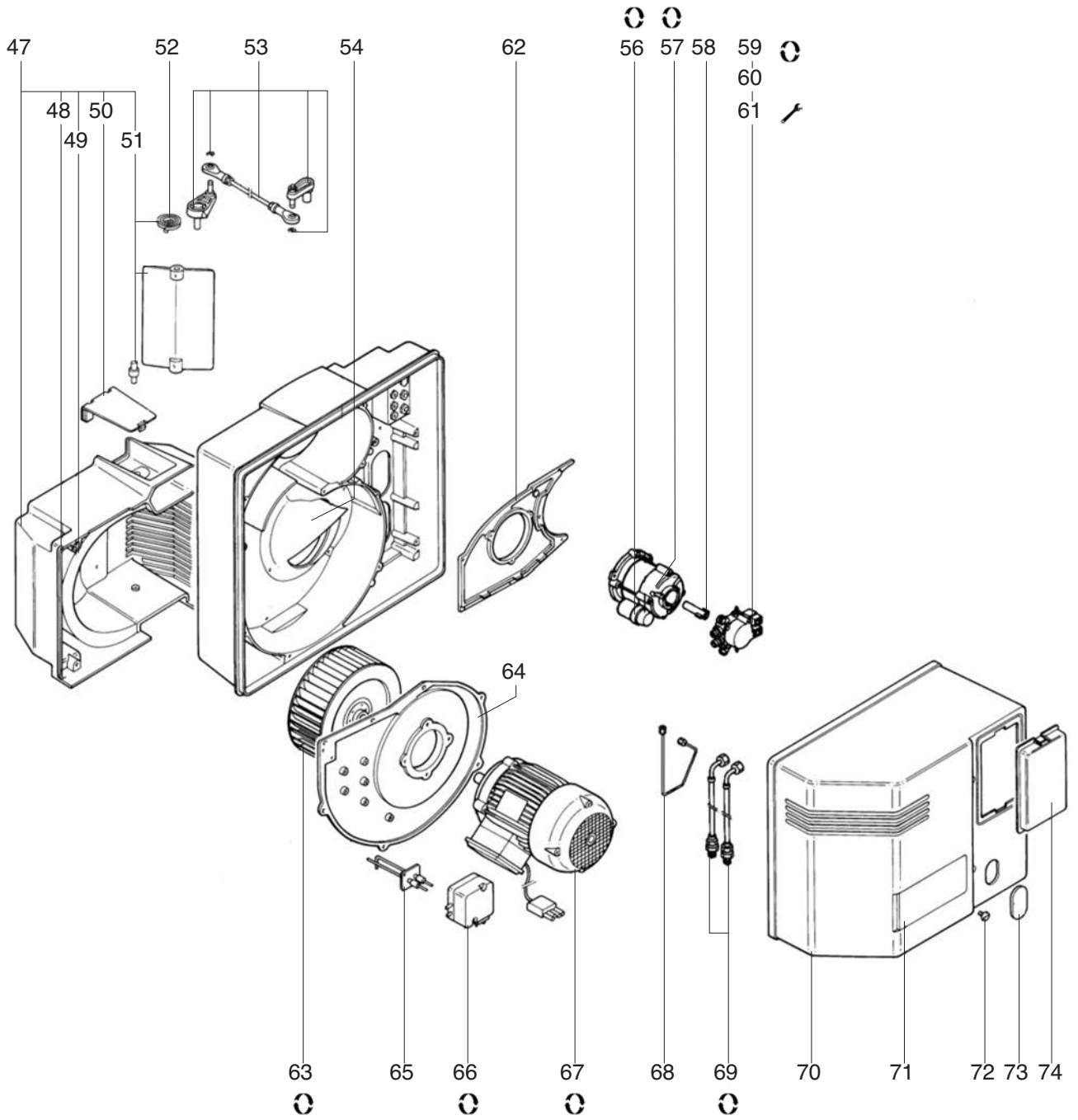
R8220263-01 - 17/05/2018

C75, C100 HX201

Oil burner

1	13021747	BB-C75 HX201	03-2010	-
2	13021748	BB-C100 HX201	03-2010	-
3	13021764	CH-O621 - T1/KN	03-2010	-
4	13021765	CH-O621 - T2/KL	03-2010	-
5	13009421	CH-O621 - T3/KM	06-2008	-
Col	Reference	Model type	Begin	End





Description	Manf. Pt. N	Type	<div style="float: right; border: 1px solid black; padding: 2px;"> 31 </div>																			
			1	2	3	4	5	6	7	8	9	10	11	12	13	14	15	16	17	18	From	to
0047	AIR BOX 318X414X167+METAL FLAP+COVER	65326951	●	●																		
0048	GASKET/CASING AIR109X6X7 PROFILED	13009640	●	●																		
0049	AIR BOX INSULATION	13009641	●	●																		
0050	AIR BOX COVER	65326223	●	●																		
	COVER AIR BOX C70-210/V05-06	13009642	●	●																		
0051	AIR FLAP EQUIPPED RED SPRING	13001961	●	●																		
	METAL AIR FLAP WITH FITTINGS	65326952	●	●																		
0052	AIR FLAP SPRING RED	13011507	●	●																		
0053	AIR FLAP COUPLING/SQN-SQM EQ.L247	13011564	●	●																		
	METAL AIR FLAP COUPLING/SQM L247	65326953	●	●																		
0054	AIR RECIRCULATION (BLACK)	13009645	●																			
	AIR RECIRCULATION (WHITE)	13009646		●																		
0055	HOUSING VECTRON 5- NC95/NC120	65326271	●	●																		
0056	CAPACITOR 4μF 2P 3mm	13011117	●	●																		
	CAPACITOR 6,3μF 2P 3mm	13010016	●	●																		
0057	MOTOR 0.16KW 230V GMP	13011607	●	●																		
0058	COUPLING D18/14,7/11X22 PUMP/MOTOR	65074172	●	●																		
0059	OIL PUMP AT2 75 C 9583 4P 0700	13016918	●	●																		
0060	COIL SUN PUMP AS-AP-AL-AT-A2L	13010006	●	●																		
0061	OIL FILTER H20-150μ /PUMP AT2-A2L	13011007	●	●																		
0062	MOTOPUMP PLATE 275X200 D115	65301276	●	●																		
0063	FAN WHEEL D240X82 D19	13009649	●	●																		
0064	PLATE MOTOR/AIR FAN	13018809	●	●																		
0065	AIR PRES. TAP NOZZLE BLACK	13009650	●																			
	DIFFERENTIAL PRESS. TAP (WHITE)	13009651		●																		
0066	AIR PRESS. SWITCH LGW 10 A2 1-10MB DIN	13009652	●	●																		
0067	MOTOR 1.1KW 230/400V D19 + PLUG	13009653	●																			
	MOTOR 1.5KW 230/400V D19 + PLUG	13009654		●																		
0068	TUBE PUMP/NOZZLE ROD 84X96X30/90°	13017352	●	●																		
0069	FUEL HOSE L 1.5M	13009815	●	●																		
0070	COVER	13011505	●	●																		
0071	PRINTED FRONT PLATE C 100	13016419		●																		
	PRINTED FRONT PLATE C75	13011115	●																			
0072	SCREW FIXING COVER D16 M5X15	13009657	●	●																		
0073	SHUTTER 60X45X7 / COVER (SH-SG)	13009742	●	●																		
0074	HOOD COVER	13009659	●	●																		

C75, C100 HX201

Oil burner

