



SPARE PARTS EXPLODED VIEW GAS BURNERS

Model

CB-NC160-210-G9A/TC (/PED)

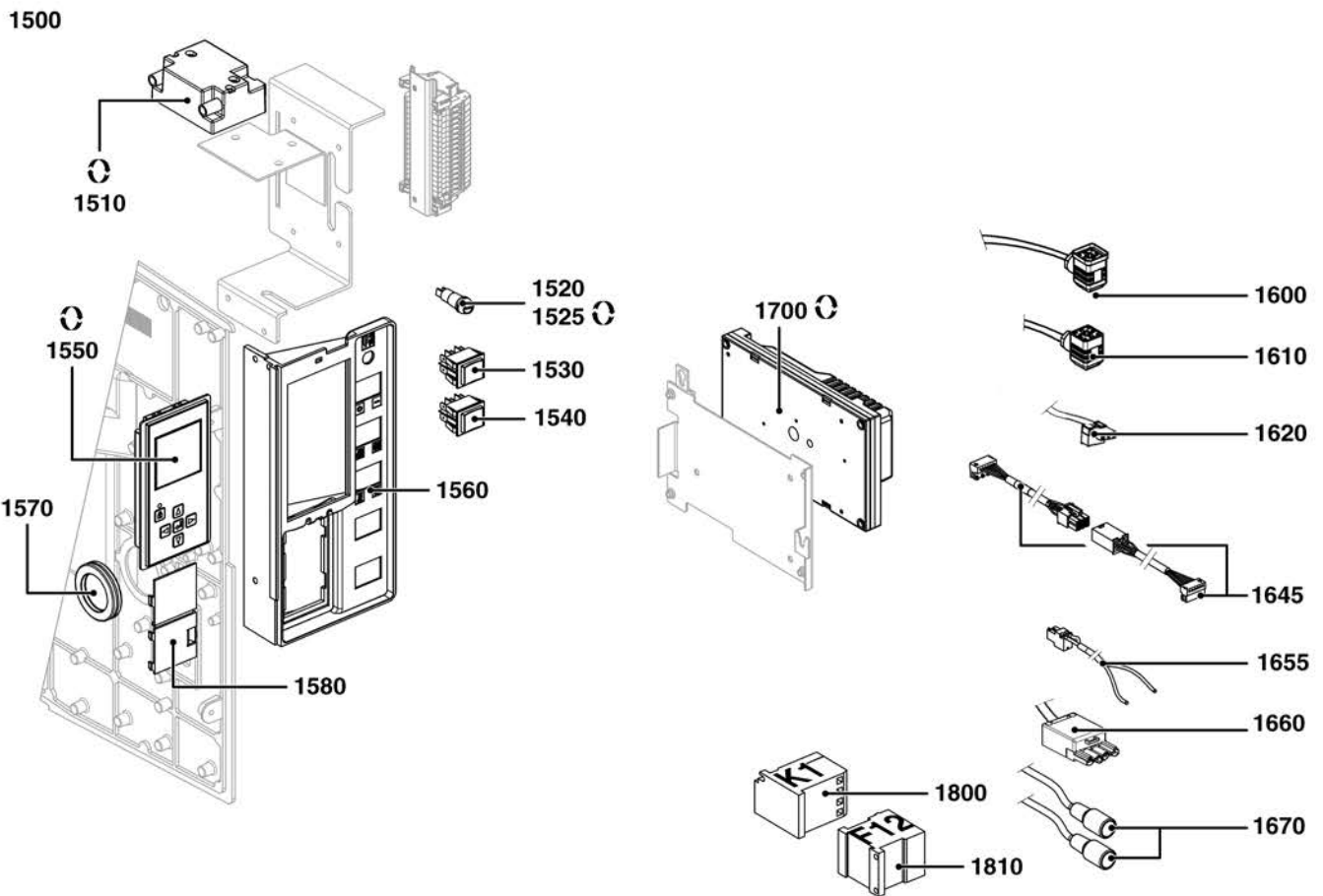
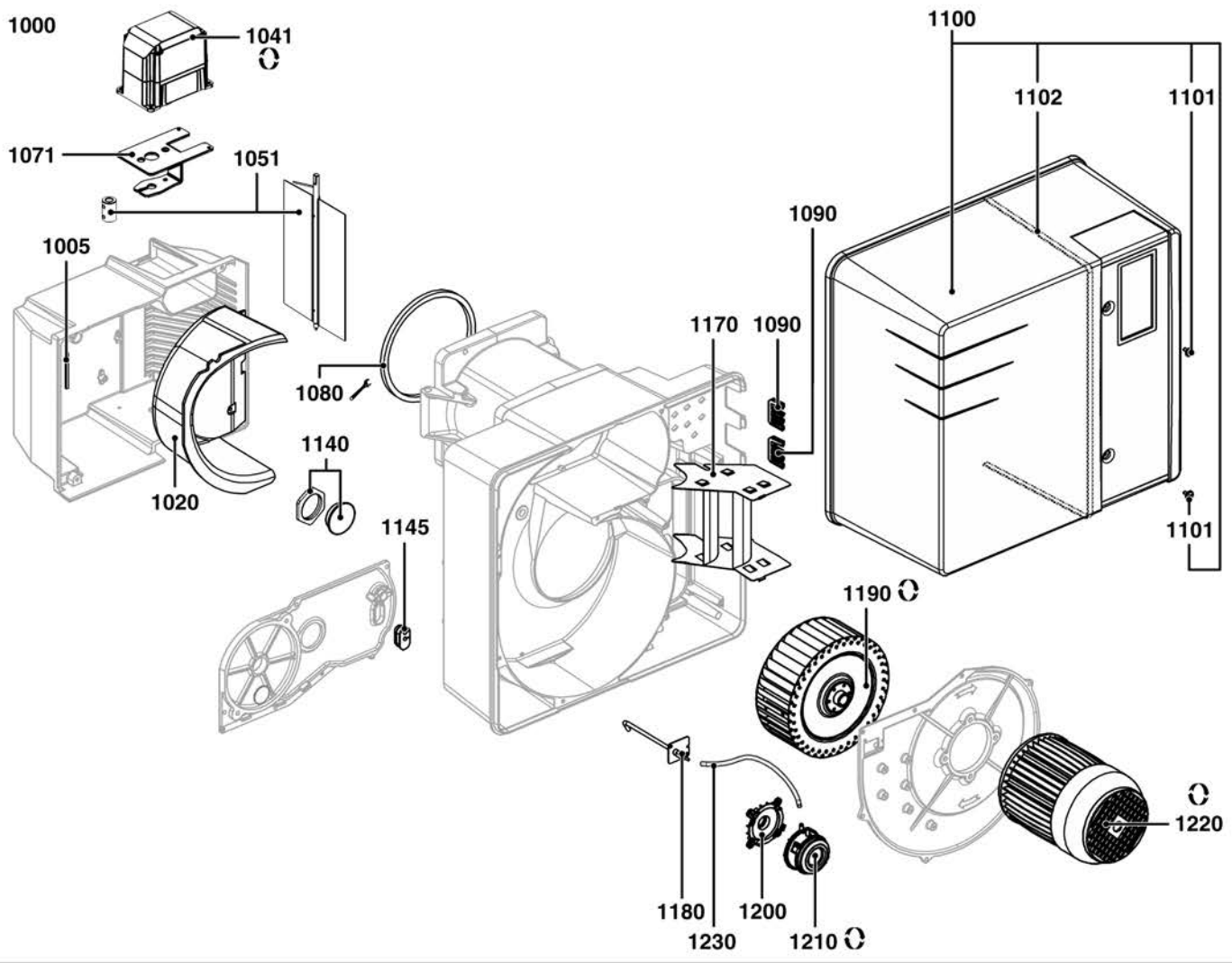
R8220160-03 - 06/07/2021

CB-NC160-210-G9A/TC (/PED)

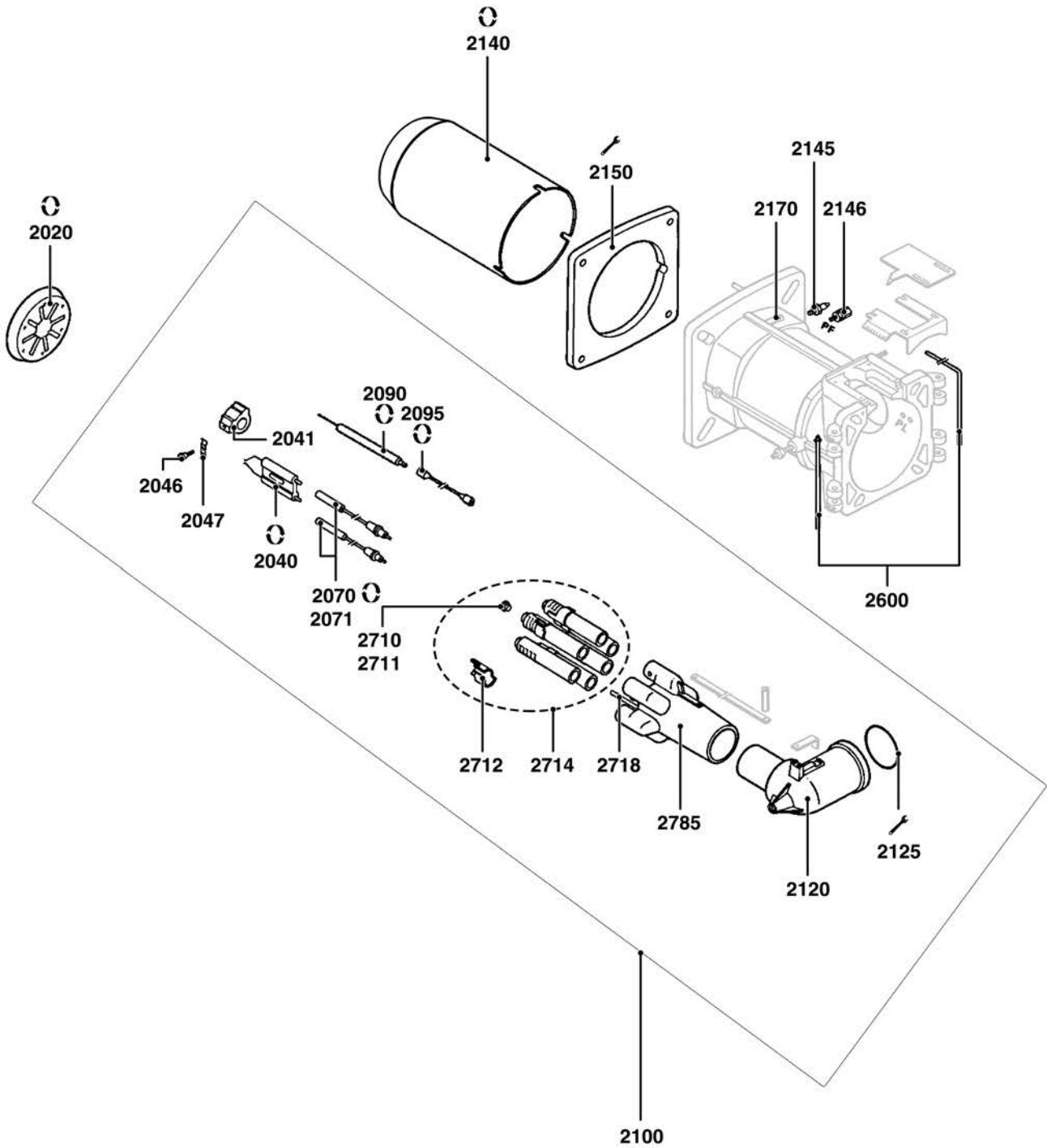
Gas burners

1	3834724	BB-NC160 G907/8A /TC	10-2015	-
2	3834734	BB-NC160 G907/8A/TC/PED	10-2015	-
3	3834725	BB-NC210 G907/8A /TC	10-2015	-
4	3834735	BB-NC210 G907/8A/TC/PED	10-2015	-
5	3835829	CH-G0732 – T1/KN	01-2016	-
6	3835830	CH-G0732 – T2/KL	01-2016	-
7	3835831	CH-G0732 – T3/KM	01-2016	-
8	3835832	CH-G0733 – T1/KN	01-2016	-
9	3835833	CH-G0733 – T2/KL	01-2016	-
10	3835834	CH-G0733 – T3/KM	01-2016	-
11	3834659	GT-D420-1"1/2-RP2"/TC	02-2015	-
12	3834660	GT-D421-2"-RP2"/TC	02-2015	-
13	3834661	GT-D422-65-DN65 /TC	02-2015	-
14	3834662	GT-S42-65-DN65/TC	02-2015	-

Col	Reference	Model type	Begin	End
-----	-----------	------------	-------	-----



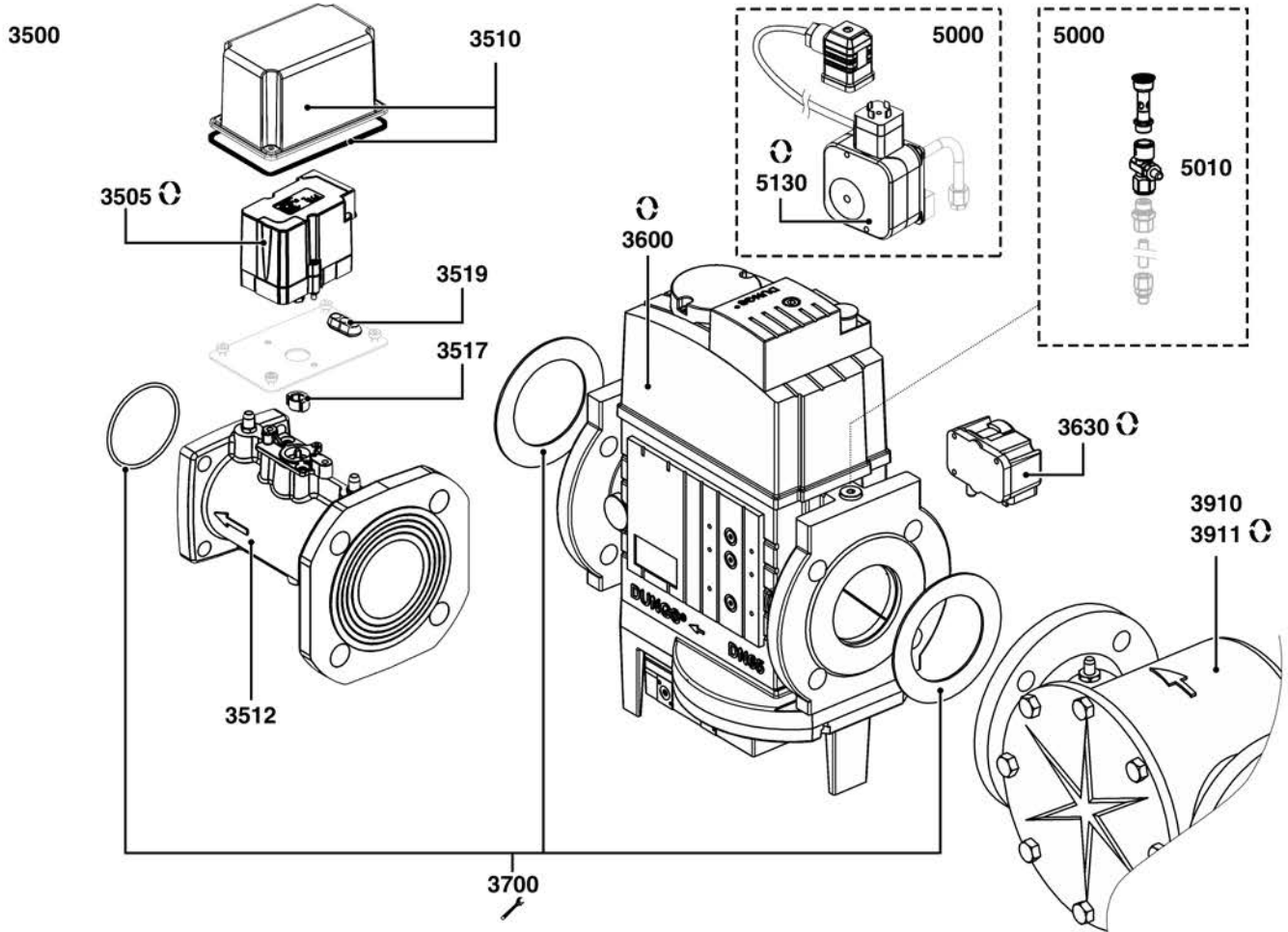
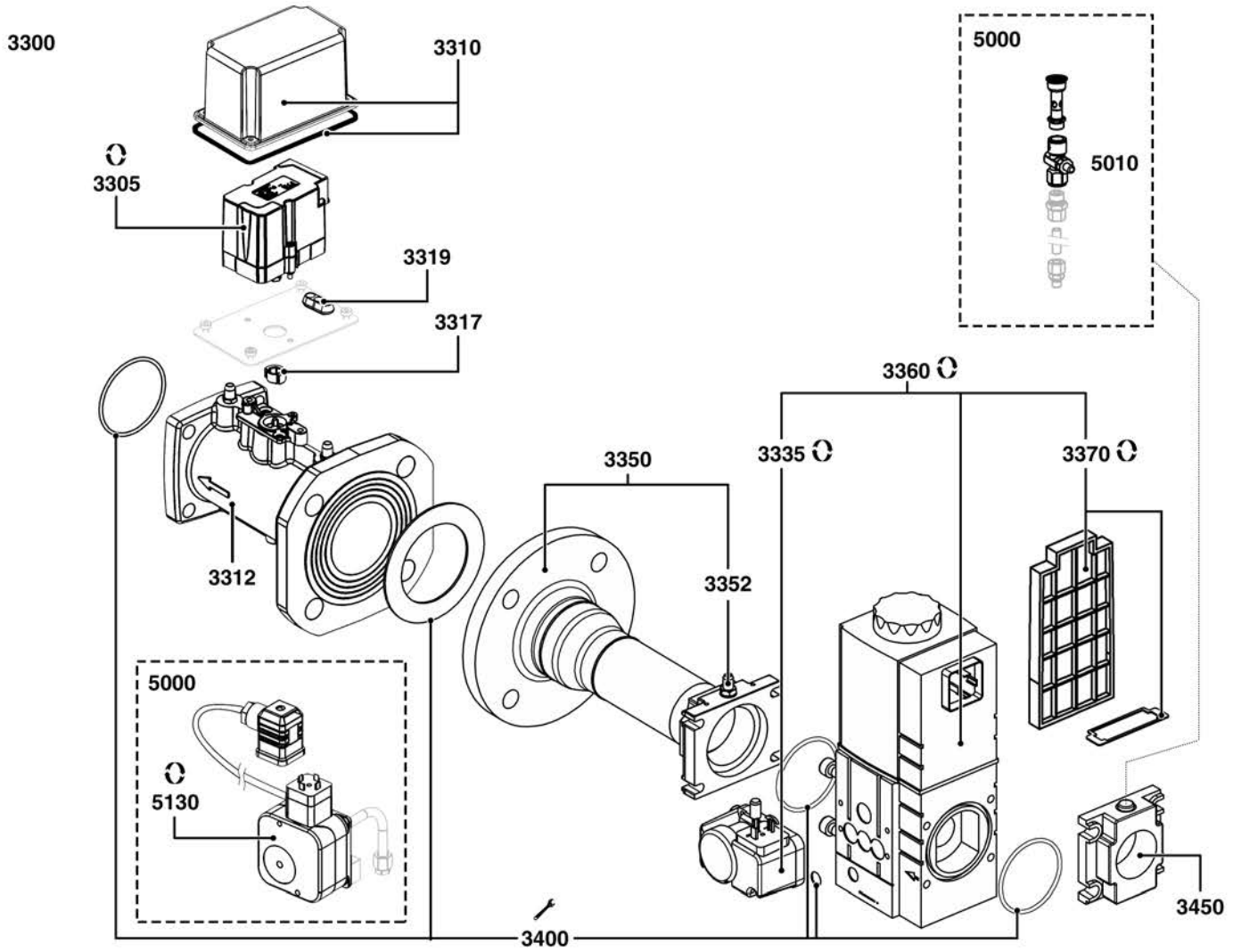
Description	Manf. Pt. N	Type	BB-NC160 G807/80A /TC BB-NC160 G807/80A/TC/PED BB-NC210 G807/80A /TC BB-NC210 G807/80A/TC/PED CH-G0732 - 11/KN CH-G0732 - 12/KN CH-G0732 - 13/KN CH-G0733 - 11/KN CH-G0733 - 12/KN GT-D420-11/2-RRP2 /TC GT-D420-12-RRP2 /TC GT-D420-85-DN65 /TC GT-S42-85-DN65 /TC																		From	to						
			1	2	3	4	5	6	7	8	9	10	11	12	13	14	15	16	17	18								
1000 BURNER BODY																												
1005 GASKET/CASING AIR109X6X7 PROFILED	13009640		•	•	•	•																						
1020 SOUND INSULATION/AIR BOX 302X275X166/V5	13009641		•	•	•	•																						
1041 ACTUATOR STE 4,5 Q3.51/6 L 3NM+CAB.L1000	65326804		•	•	•	•																						
1051 AIR FLAP 234/228X154+COUPLING	65326227		•	•	•	•																						
1071 BRACKET ACTUATOR STE 4,5 Q3 L 136X90X60	65326226		•	•	•	•																						
1080 GASKET/HOUSING-HEAD D218X8/5X10	13010055		•	•	•	•																						
1090 CABLE GROMMET COMB 54X36X8/HOUSING	13016845		•	•	•	•																						
1100 COVER GREY 590X547X476+SCREW/NC95-210	65300990		•	•	•	•																						
1101 SCREW D16/M5X15 BLACK/COVER	65300519		•	•	•	•																						
1102 GASKET/COVER 10X3 L1000	13009772		•	•	•	•																						
1140 SIGHT GLASS D55/50X21+NUT M48	13010008		•	•	•	•																						
1145 CABLE GROMMET 42X23X18,5 2XD7,5-D4,5	13009648		•	•	•	•																						
1170 AIR RECTIFIER 148/162 2BL.	65326666		•	•	•	•																						
1180 AIR PRESSURE PLUG ADJUTAGE D0,7 L145	13009738		•	•	•	•																						
1190 FAN WHEEL D240X114 d24	13009736		•	•																								
FAN WHEEL D250X114 d24	13009737					•	•																					
1200 BRACKET AIR PRESS.SWITCH HUBA D32X10,5	13020723		•	•	•	•																						
1210 AIR PRESS.SWITCH 604.92 1-10MB	65300021		•	•	•	•																						
1220 MOTOR 2.2KW 230/400V D24+PLUG	13009739		•	•																								
MOTOR 2.5KW 230/400V D24+PLUG	13009740					•	•																					
1230 TRANSPARENT PVC TUBE D4/6	13014337		•	•	•	•																						
1500 ELECTRIC PART																												
1510 IGNITION TRANSFO. EBI 2X7,5 230V	13009663		•	•	•	•																						
1520 FUSE HOLDER D15X40+FUSE 6,3A	13016457		•	•	•	•																						
1525 FUSE 5X20 FST 6,3A 250V	13016028		•	•	•	•																						
1530 SWITCH 2POS. 0 - 1 4010I1506 ML LUMINOUS	13010007		•	•	•	•																						
1540 SWITCH COM 2 POS. ON-OFF 4010D1007ML	13014009		•	•	•	•																						
1550 DISPLAY FOR CONTROL UNIT BT3XX	65300975		•	•	•	•																						
1560 CONTROL BOARD	65300992		•	•	•	•																						
1570 CABLE GROMMET DG 36 D54/47/36X10	65300993		•	•	•	•																						
1580 SHUTTER 96,5X48,5/RWF	13009661		•	•	•	•																						
1600 CABLE GAS P.SWITCH+P.DIN/RAST3P L2000BT3	65301060		•	•	•	•																						
1610 CABLE GAS VALVE+PLUG DIN/2XRAST3P L1600	65301061		•	•	•	•																						
1620 CABLE IG.TRANSFO+PLUG3P/RAST3P L600BT3xx	65301062		•	•	•	•																						
1645 CABLE ACTUATOR STE+RAST6P/6P L1400	65301111		•	•	•	•																						
1655 CABLE AIR PRES.SWITCH+RAST2P/2X0,75 L710	65300046		•	•	•	•																						
1660 CABLE MOTOR+PLUG WIE. 4P 4X1,5 L560	65301000		•	•	•	•																						
1670 IGNITION CABLE D6,35/D4 L750X2 BODY	13009743		•	•	•	•																						
1700 CONTROL UNIT LCG 911 BT320	65300964		•		•																							
CONTROL UNIT LCG 921.00 BT330	65326178	PED		•		•																						
1800 CONTACTOR SCH T.LC1-K0910M7	13009778		•	•	•	•																						
1810 THERMIC RELAY SCH LR2K 5,5-8,0A	13009746		•	•	•	•																						



Description		Manf. Pt. N	Type	<div style="display: flex; justify-content: space-between; font-size: small; border: 1px solid black; padding: 2px;"> BB-NC160 G907/8A-TC BB-NC160 G907/8A/TCAPED BB-NC210 G907/8A-TC BB-NC210 G907/8A/TCAPED CH-G0792-11/KN CH-G0792-12/KNL CH-G0792-13/KNM CH-G0793-11/KN CH-G0793-12/KNL CH-G0793-13/KNM GT-D42-11/2-RP2/TC GT-D42-12-RP2/TC GT-D42-65-DN65/TC GT-S42-65-DN65/TC </div>																		From	to
				1	2	3	4	5	6	7	8	9	10	11	12	13	14	15	16	17	18		
2000	COMBUSTION HEAD																						
2020	BAFFLE PLATE D145/50X13,5 8SL. 6DRIL	65326673																					
	BAFFLE PLATE D168/50 8SL 7DRIL.	13009711																					
2040	ELECTROD.BLOC.27X55 d6,4 D2X23 45°+SCREW	13009726																					
2041	BRACKET ELECTR.D22+FLAT 12X24+FLAT 10X24	13010050																					
2046	CYLINDRIC SCREW D10/5/M4X17,5/ELECTRODE	13010049																					
2047	FLANGE 20X11X2,6 FIX. ELECTRODE	13009725																					
2070	IGNITION CABLE D6,35/D6,35 L950 X2 HEAD	13009727																					
2071	ROUND SOCKET D6,4 L48 (2 PCS)/IGNI.CABLE	13010056																					
2090	IONISATION PROBE D8X120 d6,4 D4X36	13009626																					
2095	IONISATION CABLE MC4/D6,35 L950	13009728																					
2100	COMB.HEAD GAS L473 D126 CPL.	13010051																					
	COMB.HEAD GAS L573 D126 CPL.	13010052																					
	COMB.HEAD GAS L673 D126 CPL.	13010053																					
2120	GAS ELBOW D95/70 L125/227 90°	13009732																					
	GAS ELBOW D95/70 L125/327 90°	13009734																					
	GAS ELBOW D95/70 L125/427 90°	13009733																					
2125	O-RING D75X4	13009731																					
2140	FLAME TUBE D227/145/205 L343	65326670																					
	FLAME TUBE D227/145/205 L443	65326672																					
	FLAME TUBE D227/145/205 L543	65326671																					
	FLAME TUBE D227/172/190 L343	13009760																					
	FLAME TUBE D227/172/190 L443	13009762																					
	FLAME TUBE D227/172/190 L543	13009761																					
2145	PRESSURE TAP R1/8	13009722																					
2146	STRAIGHT UNION	13009721																					
2150	GASKET/BURNER FLANGE 335X326X3 D250	13009719																					
2170	SCREW HEX.13 D18/M8X20 (X.3)/FLAME TUBE	13009723																					
2600	SPINDLE/HINGE BODY-HEAD D12X210+D12X83	13009724																					
2710	KIT 6 SCREWS M5X6 D3 INT./NATURAL GAS	13010048																					
2711	KIT 6 SCREWS M5X6/LPG	13007041																					
2712	SHUTTER D27,8X50/GAS NOZZLE (6 PCS)	13010046																					
2714	GASNOZZLE D28 L170 6 SL.+RING (6 PCS)	13010047																					
2718	GASNOZZLE D6/4 L151 IGNITION	13014075																					
2785	GAS HEAD L246 D126/75 6 TUBES D28	13009730																					

CB-NC160-210-G9A/TC (/PED)

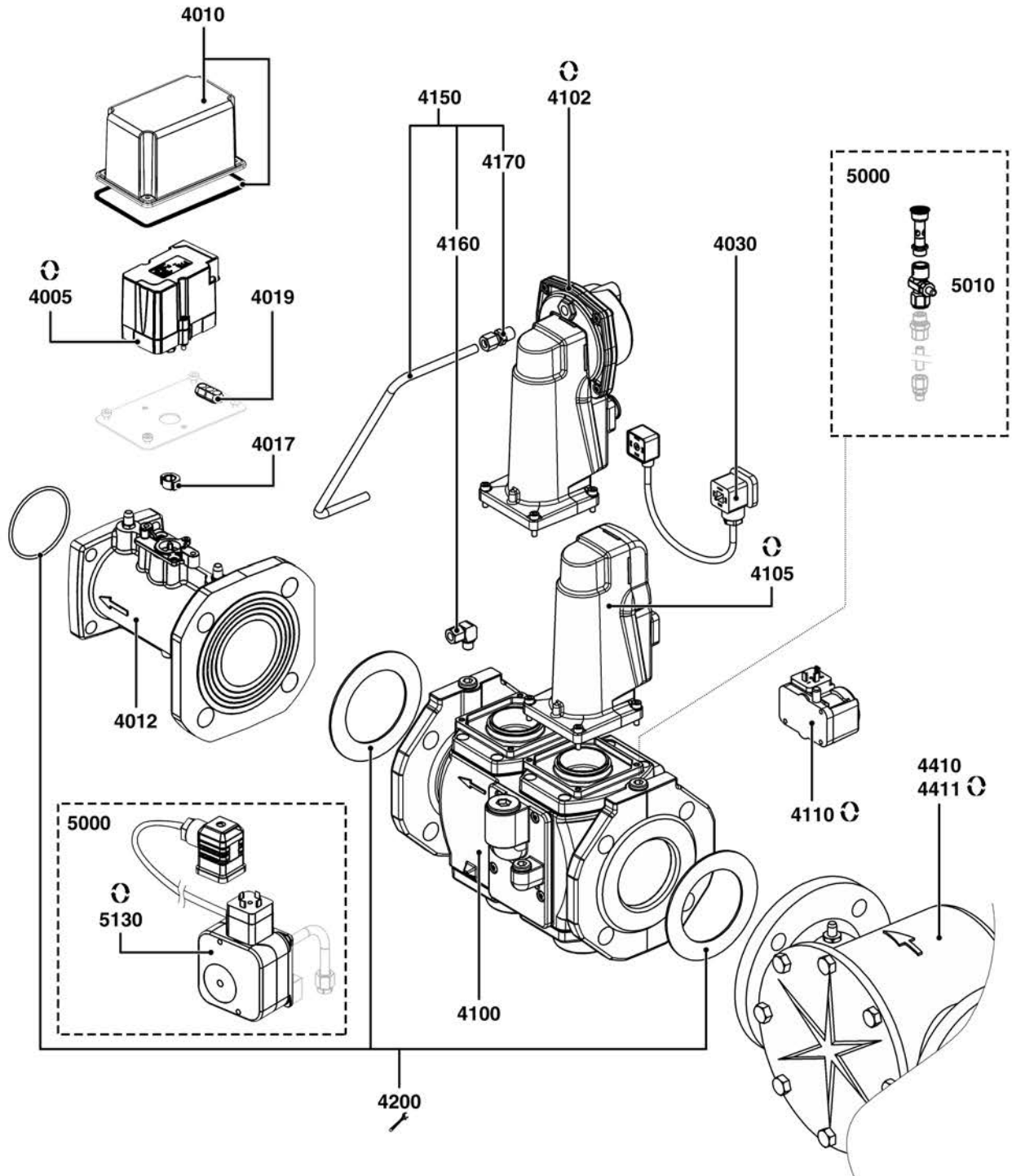
Gas burners



☉⇒	Description	Manf. Pt. N	Type	<div style="display: flex; justify-content: space-between; font-size: 8px; text-align: center;"> BB-NC160-G907/8A-TC BB-NC160-G907/8A/TC/PED BB-NC210-G907/8A-TC BB-NC210-G907/8A/TC/PED CH-G90792-11/KN CH-G90792-12/KNL CH-G90792-13/KNM CH-G90793-11/KN CH-G90793-12/KNL CH-G90793-13/KNM GT-D420-11/2-RP2-TC GT-D420-12-RP2-TC GT-D420-65-DN65-TC GT-S42-65-DN65-TC </div>																		From	to
				1	2	3	4	5	6	7	8	9	10	11	12	13	14	15	16	17	18		
3300	GAS TRAIN																						
3305	ACTUATOR STE 4,5 B0.37/6-R + CABLE L600	65300527										●	●										
3310	COVER 125X79X73/ACTUATOR STE 4,5	65312327										●	●										
3312	GASFLAP 164X164 DN65 L200	65301268										●	●										
3317	ROTATION STOP F. SHAFT STE4.5 0.8NM	65301267										●	●										
3319	CABLE GROMMET 34X15 D6,2	65312458										●	●										
3335	GAS PRESS.SWITCH GW 150 A5 5-150MB	13010078										●	●										
3350	GAS COLLECTOR DN65/RP2 L248	13009693										●	●										
3352	PRESSURE TAP R1/8	13009722										●	●										
3360	GAS VALVE MBC1200 SE S82 RP2+GPS GW150	65300008										●	●										
	GAS VALVE MBC700 SE S82 RP1 1/2+GW150	13022996										●	●										
3370	STRAINER MBC 1200	13022417										●	●										
	STRAINER MBC 700	13022416										●	●										
3400	O-RING KIT D70+D74X3+D115/77/MBC700-1200	65301065										●	●										
3450	FLANGE MB415/420 RP1 1/2 + PRES.PLUG	65322637										●	●										
3500	GAS TRAIN																						
3505	ACTUATOR STE 4,5 B0.37/6-R + CABLE L600	65300527											●										
3510	COVER 125X79X73/ACTUATOR STE 4,5	65312327											●										
3512	GASFLAP 164X164 DN65 L200	65301268											●										
3517	ROTATION STOP F. SHAFT STE4.5 0.8NM	65301267											●										
3519	CABLE GROMMET 34X15 D6,2	65312458											●										
3600	GAS VALVE MBC1900 SE DN65+GW150 (258846)	65301067											●										
3630	GAS PRESS.SWITCH GW 150 A5 5-150MB	13010078											●										
3700	O-RING KIT D70X3+ D115/77(2)/MBC1900/VGD	65301066											●										
3910	EXTERNAL GAS FILTER DN65	13009703											●										
3911	STRAINER DN65 /ANELLO	13009704											●										
5000	ACCESSORIES																						
5010	TRIAL BURNER WITH PUSH-BUTTON PB2	65311362										●	●	●									
5130	MAX. GAS PRES. SWITCH UB50 A2+CABLE L600	65326220	PED									●	●	●									

CB-NC160-210-G9A/TC (/PED)

Gas burners



☉⇒	Description	Manf. Pt. N	Type	<div style="display: flex; justify-content: space-between; font-size: 8px; border: 1px solid black; padding: 2px;"> BB-NC160-G907/8A-TC BB-NC160-G907/8A/TC/PED BB-NC210-G907/8A-TC BB-NC210-G907/8A/TC/PED CH-G90792-11/KN CH-G90792-12/KNL CH-G90792-13/KNM CH-G90793-11/KN CH-G90793-12/KNL CH-G90793-13/KNM GT-D420-11/2-RRP2-TC GT-D420-12-RRP2-TC GT-D420-65-DN65-TC GT-S42-65-DN65-TC </div>																		From	to
				1	2	3	4	5	6	7	8	9	10	11	12	13	14	15	16	17	18		
4000	GAS TRAIN																						
4005	ACTUATOR STE 4,5 B0.37/6-R + CABLE L600	65300527																					
4010	COVER 125X79X73/ACTUATOR STE 4,5	65312327																					
4012	GASFLAP 164X164 DN65 L200	65301268																					
4017	ROTATION STOP F. SHAFT STE4.5 0.8NM	65301267																					
4019	CABLE GROMMET 34X15 D6,2	65312458																					
4030	CABLE CONNECT AGA 62 PLUG DIN L270	13020958																					
4100	GAS VALVE VGD40 065 DN65	65323661																					
4102	GAS ACTUATOR SKP25.003E2 W.O.END SWITCH	65107100																					
4105	GAS SERVOM. SKP15.000E2 W/O LIMIT SW.	13020951																					
4110	GAS PRESS.SWITCH GW 150 A5 5-150MB	13010078																					
4150	GAS PRESSURE TUBE WITH UNION	65301068																					
4160	ANGLED UNION	13023188																					
4170	STRAIGHT UNION	13009721																					
4200	O-RING KIT D70X3+ D115/77(2)/MBC1900/VGD	65301066																					
4410	EXTERNAL GAS FILTER DN65	13009703																					
4411	STRAINER DN65 /ANELLO	13009704																					
5000	ACCESSORIES																						
5010	TRIAL BURNER WITH PUSH-BUTTON PB2	65311362																					
5130	MAX. GAS PRES. SWITCH UB50 A2+CABLE L600	65326220	PED																				

CB-NC160-210-G9A/TC (/PED)

Gas burners

ADDRESSES

www.casned.com



REDAZIONE E INFORMAZIONI

- = **Manutenzione / Manutenzione / Maintenance**
= **Service / Service / Service**
- = **Worldwide / Worldwide / Worldwide**
= **Worldwide / Worldwide / Worldwide**
- = **Worldwide / Worldwide / Worldwide**
= **Worldwide / Worldwide / Worldwide**
= **Worldwide / Worldwide / Worldwide**
= **Worldwide / Worldwide / Worldwide**

NUMEROSI SERIE

SERIE NUMERAZIONE

10 Characters :

YYMM-000000

10 Characters :

YYMM-000000

Code of origin / Origine

Sequential number

Year of manufacture

Year of manufacture

Year of manufacture

Year of manufacture

Year of manufacture

Year of manufacture

Year of manufacture

Year of manufacture

Year of manufacture

Year of manufacture

Year of manufacture

Year of manufacture

Year of manufacture

Year of manufacture

Year of manufacture

Year of manufacture

Year of manufacture

Year of manufacture

Year of manufacture

Year of manufacture

Year of manufacture

Year of manufacture

Year of manufacture

Year of manufacture

Year of manufacture

Year of manufacture

Year of manufacture

Year of manufacture

Year of manufacture