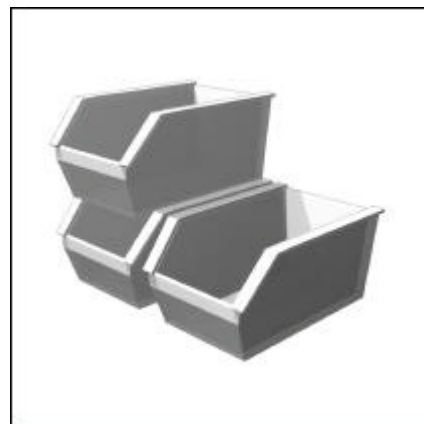


Ersatzteilliste **Gas-Gebläsebrenner**
Spare part list **Gas burner**
Vue éclatée **Brûleur gaz**
C 400 GD 507

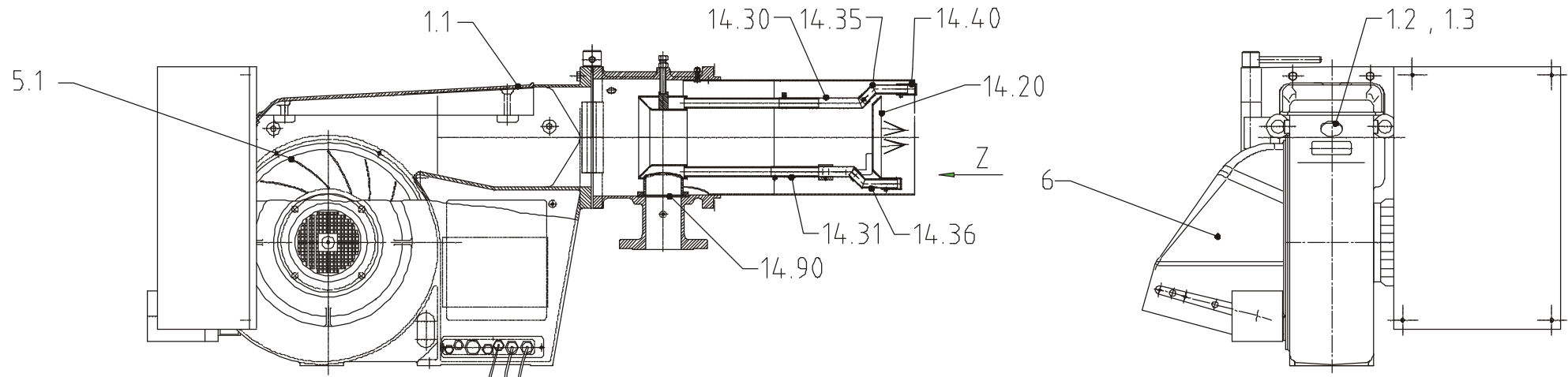


| | Pos. | Bezeichnung | | Artikel-Nr. |
|-------------------|-------------|--|------------------------------|---------------------|
| | Pos. | Description | | Article-No. |
| | Pos. | Description | | Nr. articles |
| Baugruppe | 1 | Grundausstattung | C 400 - 500 G | |
| Ass.group: | | Basis equipment | | |
| Ensemble: | | Equipement de base | | |
| | 1.1 | Abdeckprofil Linkage ass. cover Profil en plastique | 300mm | |
| | 1.2 | Schauglas Sight glass Regard | 55x21 | |
| | 1.3 | Schauglasdeckel Sight glass cover Couvercle pour regard | D55 | |
| | 1.4 | Dichtung (Schwenkflansch) Swivel flange Gasket Joint | D 420x420x8 BO 330 | |
| Baugruppe | 2 | Ausführungsvariante | C 400 GD 507 | |
| Ass.group: | | Version | | |
| Ensemble: | | Version | | |
| | 2.1 | Stellantrieb Actuator Servo-moteur | SQM 11 - 16502 | 13019247 |
| Baugruppe | 2.20 | Zündtrafo | | |
| Ass.group: | | Ignition transformer | | |
| Ensemble: | | Transformateur d'allumage | | |
| | 2.20.1 | Zündtrafo Ignition transformer Transformateur d'allumage | ZE 30/7 | 13019248 |
| Baugruppe | 4 | Motor BG | 400/690V ATP | |
| Ass.group: | | Motor | | |
| Ensemble: | | Moteur | | |
| | 4.1 | Motor Motor Moteur | 5,5kW 400/690V 50Hz 3000/min | 13019260 |
| Baugruppe | 5 | Ventilatorrad BG | C 400 50 Hz | |
| Ass.group: | | Air fan ass. | | |
| Ensemble: | | Turbine | | |
| | 5.1 | Ventilatorrad Air fan Turbine | | 13019261 |
| Baugruppe | 6 | Luftansaugkasten kpl. | C 260 - C 620 | |
| Ass.group: | | Air intake housing cpl. | | |
| Ensemble: | | Boîte à air cpl. | | |

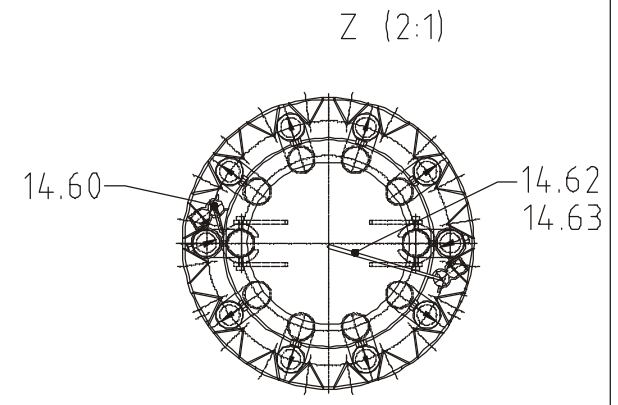
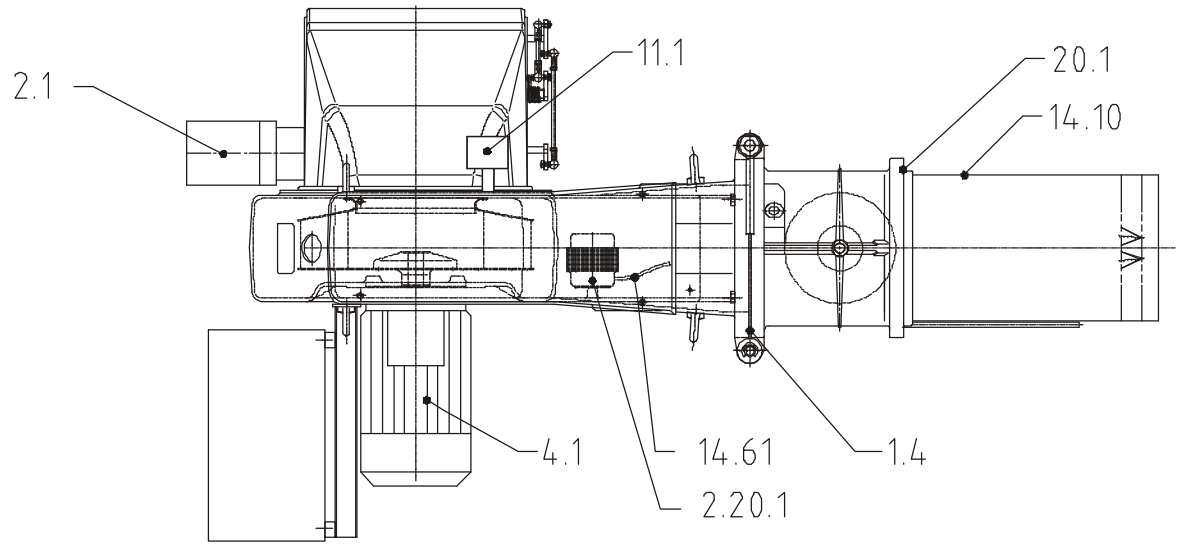
| | Pos. | Bezeichnung | | Artikel-Nr. |
|-------------------|-------------|---|--------------------|---------------------|
| | Pos. | Description | | Article-No. |
| | Pos. | Description | | Nr. articles |
| Baugruppe | 11 | Druckwächter BG | DL 50 A | |
| Ass.group: | | Pressure switch | | |
| Ensemble: | | Pressostat différentiel | | |
| | 11.1 | Luftdruckwächter Air pressure switch Pressostat air | DL 50A 2,5-50 mbar | 13019251 |
| Baugruppe | 14 | Lanzengaskopf | C 400 GD 507 | |
| Ass.group: | | Lancee gas head basis ext. | | |
| Ensemble: | | Tête gaz multijet | | |
| | 14.10 | Flammenrohr Grundl. Flame tube Embout | D325x612 | 13019264 |
| | 14.20 | Stauscheibe Brake plate Deflecteur | D250 Tk 210 | 13019265 |
| | 14.30 | Schieberohr Adjusting tube Tube réglable | D35/2,2x420 | |
| | 14.31 | Schieberohr Adjusting tube Tube réglable | D35/2,2x420 | |
| | 14.35 | Distanzrohr Distance tube Entretoise | D30x2 45grd 45/95 | |
| | 14.36 | Distanzrohr Distance tube Entretoise | D30x2 45grd 45/95 | |
| | 14.40 | Gasdüse Gas nozzle Injecteur gaz | D 35x2,2 BO18 | |
| | 14.60 | Zündelektrode Ignition electrode Électrode d'allumage | D14x125/150mm | 13019263 |
| | 14.61 | Zündkabel Ignition lead Câble d'allumage | 1500 mm | 13019255 |
| | 14.62 | Ionisationselektrode Ionisation electrode sonde ionisation | D 14x125/125 | 13019256 |
| | 14.63 | Kabel f. Ionisationselektrode Ionisation cable Câble ionisation | | 13019257 |
| | 14.90 | Dichtung Gaskopf Gas Lance Gasket Joint | D 130/90x2 | |

| | Pos. | Bezeichnung | | Artikel-Nr. |
|-------------------|-------------|---|--------------------|---------------------|
| | Pos. | Description | | Article-No. |
| | Pos. | Description | | Nr. articles |
| Baugruppe | 14 | Lanzengaskopf 100 Verl. | C 400 GD 507 | |
| Ass.group: | | Lanee gas head | | |
| Ensemble: | | Tête gaz multijet | | |
| | 14.10 | Flammenrohr 100 Verl. Flame tube Embout | D325x712 | 13019266 |
| | 14.30 | Schieberohr Adjusting tube Tube réglable | D35/2,2x520 | |
| | 14.31 | Schieberohr Adjusting tube Tube réglable | D35/2,2x520 | |
| | 14.35 | Distanzrohr Distance tube Entretoise | D30x2 45grd 45/95 | |
| | 14.36 | Distanzrohr Distance tube Entretoise | D30x2 45grd 45/95 | |
| Baugruppe | 14 | Lanzengaskopf 200 Verl. | C 400 GD 507 | |
| Ass.group: | | Lanee gas head | | |
| Ensemble: | | Tête gaz multijet | | |
| | 14.10 | Flammenrohr 200 Verl. Flame tube Embout | D325x812 | 13019267 |
| | 14.30 | Schieberohr Adjusting tube Tube réglable | D35/2,2x620 | |
| | 14.31 | Schieberohr Adjusting tube Tube réglable | D35/2,2x620 | |
| | 14.35 | Distanzrohr Distance tube Entretoise | D30x2 45grd 45/95 | |
| | 14.36 | Distanzrohr Distance tube Entretoise | D30x2 45grd 45/95 | |
| Baugruppe | 20 | Beipack | C 400 / 500 | |
| Ass.group: | | Accessory | | |
| Ensemble: | | Accessoires | | |
| | 20.1 | Dichtung (Kesselseitig) Burner to Boiler Gasket Joint | D 420x420x3 BO 348 | |

| | Pos. | Bezeichnung | Artikel-Nr. |
|-------------------|-------------|---|---------------------|
| | Pos. | Description | Article-No. |
| | Pos. | Description | Nr. articles |
| Baugruppe | 21 | Kabel Gasstrecke AGP | C 260 - C 500 |
| Ass.group: | | Cable for gas train | |
| Ensemble: | | Câble | |
| | 21.1 | Gerätesteckdose Plug Prise électrique | GDMW 30-11 |
| | 21.2 | Stecker Plug La fiche | AGA 64 |
| | 21.3 | Stecker Plug La fiche | VPS 504-02 |



- 21.1 GDMW
- 21.2 AGA64
- 21.3 VPS



Ausstattung: Die Gasklappe ist kommissionsbezogen zu bestellen.

Equipment: The gas valve as ordered for commission specification.

Accessoires: Le registre gaz doit être commandé en fonction de l'installation.

Weitere Teile auf Anfrage.
Further spare part on request.
Autres pièces détachées sur demande.

Revision

Änderungen im Sinne der technischen Weiterentwicklung vorbehalten.
Modifications to incorporate latest technical developments are reserved.
Sous réserve de modifications résultant du perfectionnement technique.

Kundendienst:
Service:
Votre service après-vente:

CUENOD
18,rue des Buchillons
F-74100 ANNEMASSE Cedex