



SPARE PARTS EXPLODED VIEW GAS BURNERS

Model

CB-NC14-21 GX E 107/8A

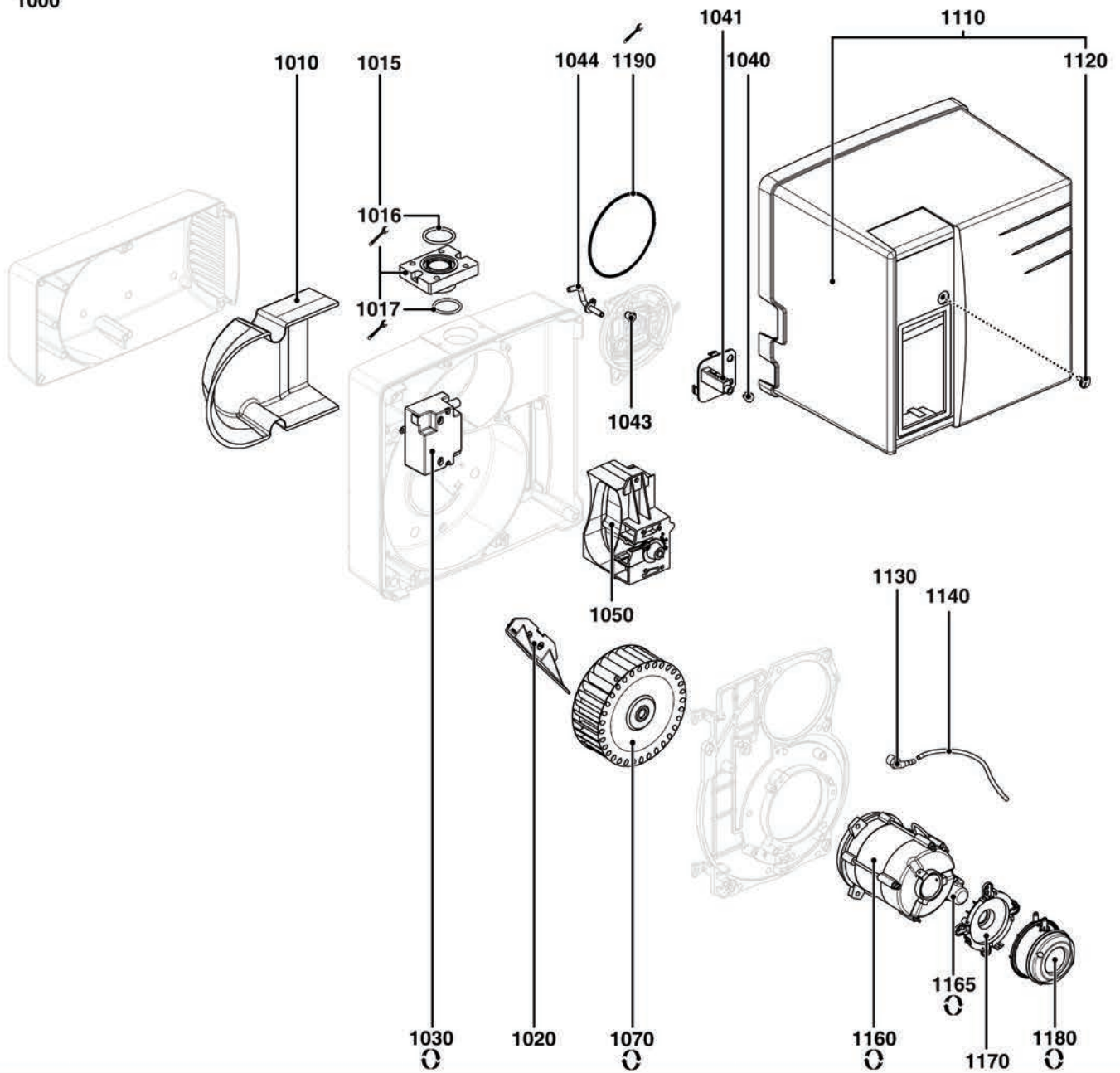
R8220281-03 - 20/10/2021

CB-NC14-21 GX E 107/8A

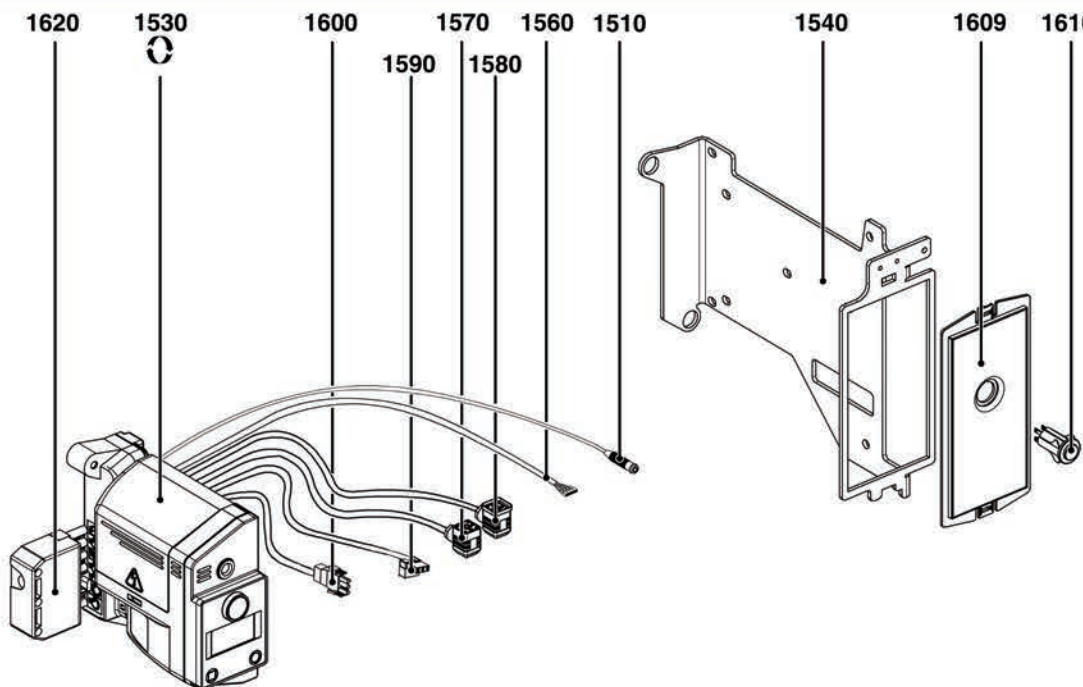
Gas burners

1	3836251	CB-NC14 GX E 107/8A D3/4" RP3/4" T1	09-2018	-
2	3836252	CB-NC14 GX E 107/8A D3/4" RP3/4" T2	09-2018	-
3	3836255	CB-NC21 GX E 107/8A D3/4" RP3/4" T1	09-2018	-
4	3836256	CB-NC21 GX E 107/8A D3/4" RP3/4" T2	09-2018	-
5	3836253	CB-NC21 GX E 107/8A D1"1/4 RP1"1/4 T1	09-2018	-
6	3836254	CB-NC21 GX E 107/8A D1"1/4 RP1"1/4 T2	11-2018	-
Col	Reference	Model type	Begin	End

1000

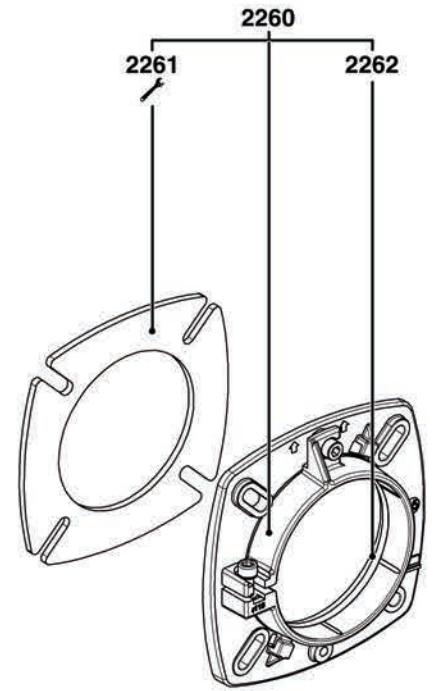
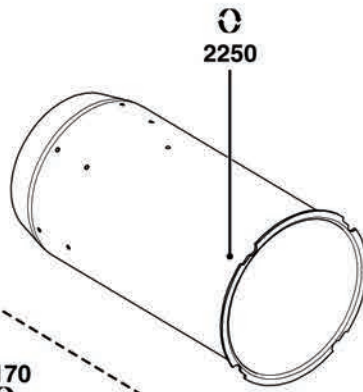
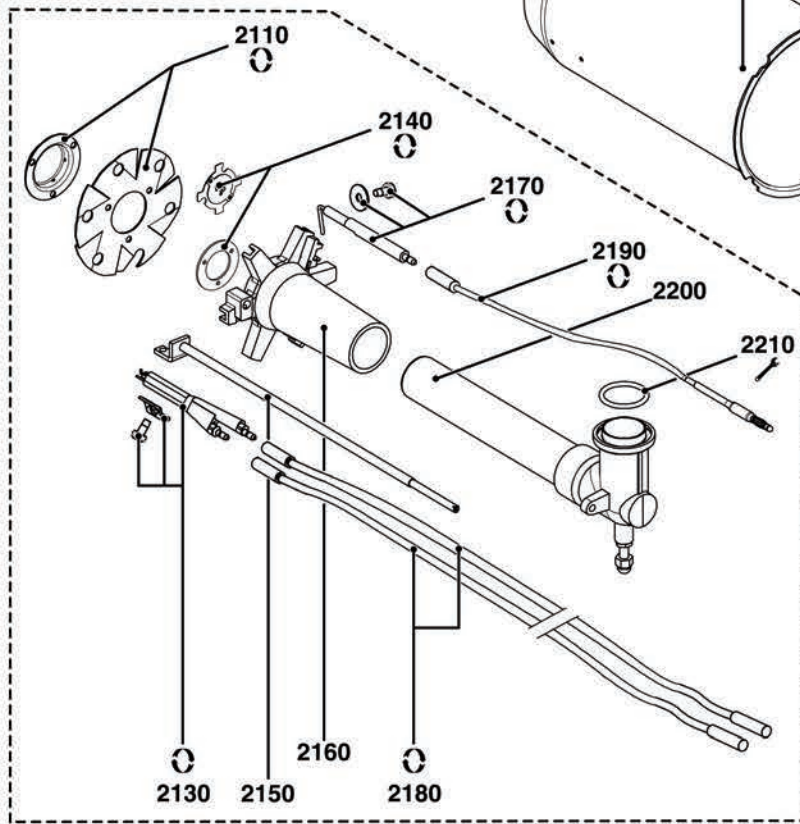


1500 1620 1530 1600 1570 1560 1510 1540 1609 1610
1590 1580

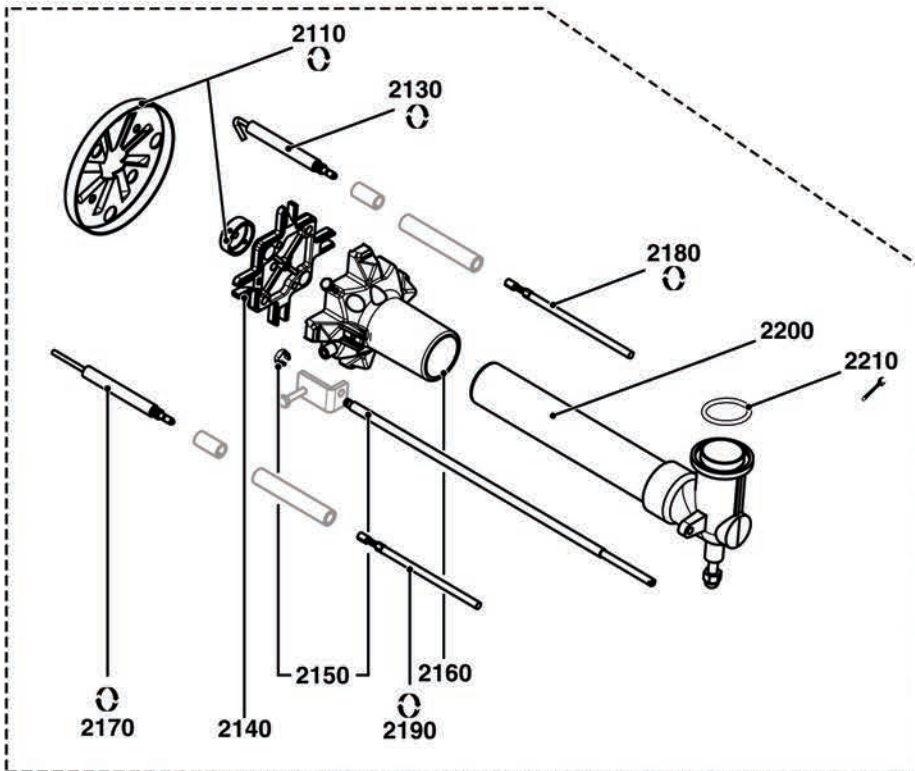


		CB-NC14-GX-E-107/8A-DHW-RR304T11 CB-NC14-GX-E-107/8A-DHW-RR304T2 CB-NC21-GX-E-107/8A-DHW-RR304T1 CB-NC21-GX-E-107/8A-DHW-RR304T2 CB-NC2-GX-E-107/8A-DHW-RR304T1 CB-NC2-GX-E-107/8A-DHW-RR304T2 CB-NC2-GX-E-107/8A-DHW-RR304T1 CB-NC2-GX-E-107/8A-DHW-RR304T2																					
				1	2	3	4	5	6	7	8	9	10	11	12	13	14	15	16	17	18	From	to
1000	BURNER BODY																						
1010	SOUND INSULATION/AIR BOX 220X158X62/V2	13017369		●	●	●	●	●	●														
1015	FLANGE 82X62X30 D27 GAS TUBE + O-RING	13022109		●	●	●	●	●	●														
1016	O-RING 4137 D34,52X3,53 NBR	13022908		●	●	●	●	●	●														
1017	O-RING D30X3	13018089		●	●	●	●	●	●														
1020	AIR RECYCLING 109/102X60 78° (WHITE)	13017363		●	●																		
	AIR RECYCLING 119/114X60 78° (BLACK)	13017364				●	●	●	●														
1030	IGNITION TRANSFO. EBI 2X7,5 230V	13009663	2P	●	●																		
	IGNITION TRANSFO.EBI 1X11 230V+EARTH CO.	65300715	1P			●	●	●	●														
1040	CABLE GROMMET D12/9/2,3X11/NEOPREN	13010058		●	●	●	●	●	●														
1041	PLATE BOX ADJUST GAS 61X60 D7,5+2XD9 L52	13021960		●	●	●	●	●	●														
1043	CABLE GROMMET D12/9/5X11 (X.2)/NEOPREN	13007808		●	●	●	●	●	●														
1044	TUBE D.6+ AIR MEASURE FLANGE	13021961		●	●	●	●	●	●														
1050	AIR FLAP 124X65X63,5+BUTTON	13018138				●	●	●	●														
	AIR FLAP WHITE 124X65X63,5+BUTTON	13023775		●	●																		
1070	FAN WHEEL D146 X52 D12,7	13010012		●	●																		
	FAN WHEEL D160X52 D12,7	13010095				●	●	●	●														
1110	COVER GREY 326X322X253+SCREW/NC12-21 A	65300769		●	●	●	●	●	●														
1120	SCREW D16/M5X15 BLACK/COVER	65300519		●	●	●	●	●	●														
1130	UNION ELBOW POLYAMID R1/8-D4	13013352		●	●	●	●	●	●														
1140	HOSE D4/7 L500 SILICONE	13015497		●	●	●	●	●	●														
1160	BRANDERMOTOR VG2.120 /160 GEVENTILEERD	65327089		●	●																		
	MOTOR 0,13KW230V D12,7	13010014				●	●	●	●														
1165	CAPACITOR 5µF 2P 3mm	65325038	SIMEL 100W	●	●																		
	CAPACITOR 8µF 2P 3mm	65300577	SIMEL 130W			●	●	●	●														
1170	BRACKET AIR PRESS.SWITCH HUBA D32X10,5	13020723		●	●	●	●	●	●														
1180	AIR PRESS.SWITCH 604.91 0,5-5MB+RAST	13020502		●	●																		
	AIR PRESS.SWITCH 604.92 1-10MB+RAST	13020722				●	●	●	●														
1190	GASKET D2,3 L350 EPDM FOAMED	65327445		●	●	●	●	●	●														
1500	ELECTRIC PART																						
1510	IONISATION CABLE MC4/RAST 1P L350	65300158		●	●	●	●	●	●														
1530	CONTROL UNIT TCG 141.03 noTC+Post V. 10s	65327446		●	●	●	●	●	●														
1540	BRACKET CONTROL UNIT 198X224X85 90°-90°	65300727		●	●	●	●	●	●														
1560	CABLE RESET+PLUG FASTON/2XRAST2P L350	65300521		●	●	●	●	●	●														
1570	CABLE GAS VALVE+PLUG DIN/RAST5P L1500	65300570		●	●	●	●	●	●														
1580	CABLE GAS P.SWITCH+PLUG DIN/RAST2P L1500	13023698		●	●	●	●	●	●														
1590	CABLE IGNIT.TRANSFO+PLUG 2P/RAST2P L350	65300619		●	●	●	●	●	●														
1600	CABLE MOTOR+PLUG 3P/RAST3P L300	13010519		●	●	●	●	●	●														
1609	PLATE 170X81X5 D20/RESET PUSH BUTTON	65300523		●	●	●	●	●	●														
1610	RESET BUTTON D16/19X33 BLACK	13015182		●	●	●	●	●	●														
1620	PLUG WIELAND 7P SCREENPRINTED	13010523		●	●	●	●	●	●														

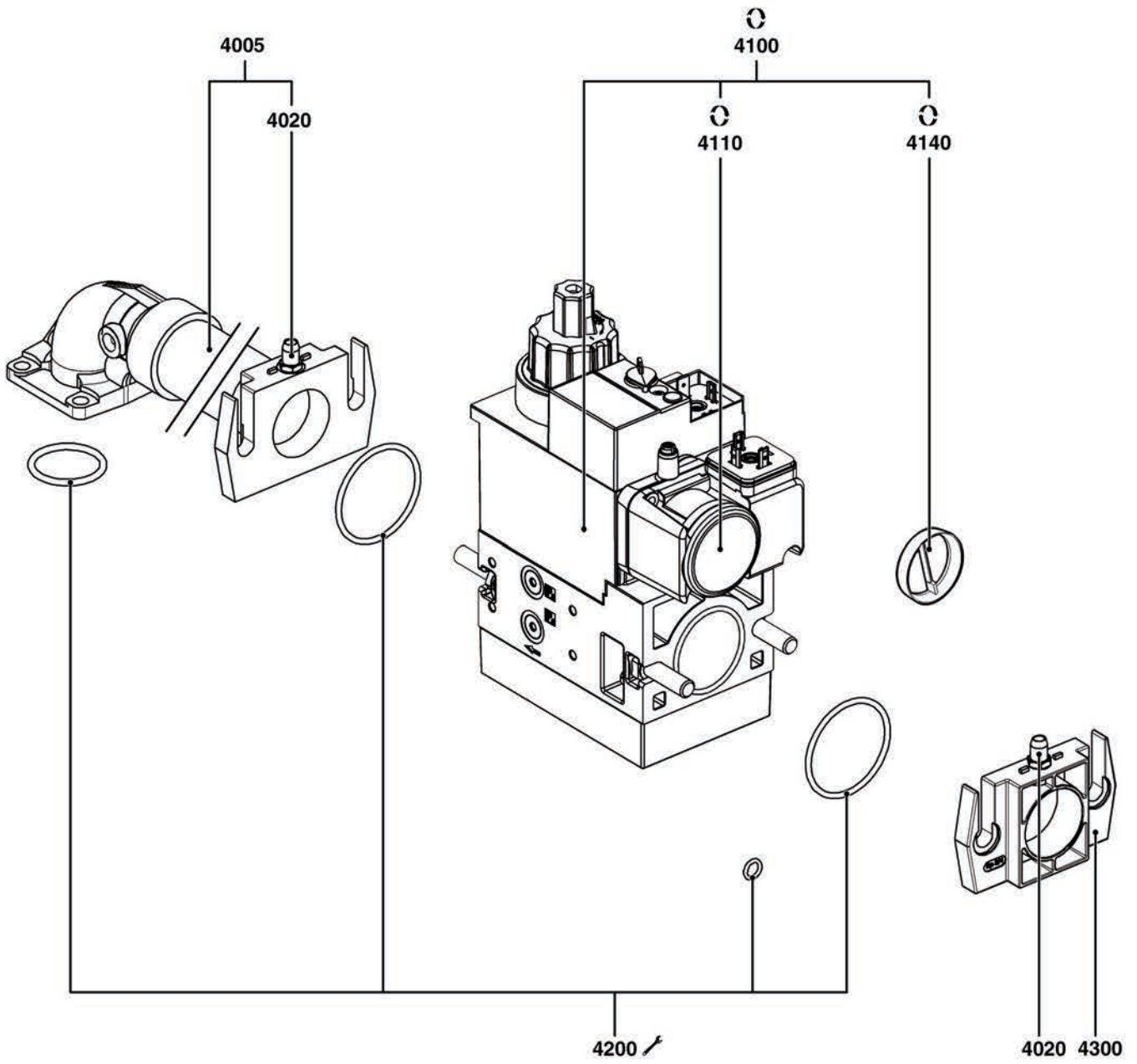
120/140/160 kW



205 kW



☉	Description	Manf. Pt. N	Type	<div style="text-align: right; border: 1px solid black; padding: 2px;"> CB-NC14 GX E 107/8A RPP1/LH T1 CB-NC14 GX E 107/8A RPP1/LH T2 CB-NC21 GX E 107/8A RPP1/LH T1 CB-NC21 GX E 107/8A RPP1/LH T2 CB-NC2 GX E 107/8A RPP1/LH T1 CB-NC2 GX E 107/8A RPP1/LH T2 </div>																		31	
				1	2	3	4	5	6	7	8	9	10	11	12	13	14	15	16	17	18	From	to
2000	COMBUSTION HEAD																						
2110	BAFFLE PLATE D74,5/24,5 8SL R +DIFF. D50	13019123		●	●																		
	BAFFLE PLATE D95/25 8SL + NOZZLE D24,5	65327447				●	●	●	●														
2130	ELECTRODE BLOCK 12X46 D4 D1,2X10	65300738		●	●																		
	IGNIT. ELECTRODE D8x60d4/6,4D1,65x7 120°	65329121				●	●	●	●														
2140	CAP FIRING HEAD 55X55X8 4 SLOT 6MM	65108669	NAT.G.			●	●	●	●														
	CAP STAR GAS HEAD 55X55X8 4 SL.3,5MM LPG	65321616	LPG			●	●	●	●														
	SHUTTER LPG D57/44/32X3 2 DRILL.D4,2	13019125	LPG	●	●																		
2150	ADJUST ROD D6 L253 M6/D4,8	65327461				●		●															
	ADJUST ROD D6 L257 M6/D5	13022192		●																			
	ADJUST ROD D6 L373 M6/D4,8	65327467						●		●													
	ADJUST ROD D6 L377 M6/D5	13022193				●																	
2160	GAS HEAD D55/30 4 BRANCH.	65327464				●	●	●	●														
	GAS HEAD L67 D72/22 +O-RING 4 BRANCH.	13010532		●	●																		
2170	IONISATION PROBE D8X60 d4/6,4 D3X60	65322162				●	●	●	●														
	IONISATION PROBE D8X80 d4 D2X27 80° F+S	13010529		●	●																		
2180	IGNITION CABLE D4/D4 L365 AP	13013524		●																			
	IGNITION CABLE D4/D4 L510 AP (X1)	13014990				●																	
	IGNITION CABLE D5 L365 CARBON	65327462				●		●															
	IGNITION CABLE D5 L510 CARBON	65327468						●		●													
2190	IONISATION CABLE D4 BAN/D4 L350	13013525		●		●		●															
	IONISATION CABLE MC4/D4 L650	13015121				●		●		●													
2200	GAS ELBOW D29/22 L51/215-30 90°+O-R D30	13018027		●																			
	GAS ELBOW D29/22 L51/335-30 90°+O-R D30	13018028				●																	
	GAS ELBOW D29/30 L51/185-30 90°+O-R D30	65327460						●		●													
	GAS ELBOW D29/30 L51/331-30 90°	65327466								●		●											
2210	O-RING D30X3	13018089		●	●	●	●	●	●														
2250	FLAME TUBE D115/125/85X230	65327459						●		●													
	FLAME TUBE D115/125/85X350	65327465								●		●											
	FLAME TUBE D115/78/75 L230	13020498		●																			
	FLAME TUBE D115/78/75 L350	13020499				●																	
2260	BOILER ACCESSORY D115 EUROFLANGE	13018134		●	●																		
	BOILER ACCESSORY D125 EUROFLANGE	65327457						●	●	●	●												
2261	GASKET/BURNER FLANGE 176X176X8 D115	13018135		●	●																		
	GASKET/BURNER FLANGE 176X176X8 D125	65327458				●		●		●		●											
2262	GASKET/BRAID D115X5X5-377	13020517		●	●																		
	GASKET/BRAID D125X5X5-412	65327463				●		●		●		●											



CB-NC14 GX E 107/8A D34,5X3,5 SET+GASKET COVER/RP3/4
 CB-NC14 GX E 107/8A D34,5X3,5 D11X2/MB.412
 CB-NC21 GX E 107/8A D34,5X3,5 RP3/4
 CB-NC21 GX E 107/8A D34,5X3,5 RP1 1/4
 CB-NC2 GX E 107/8A D34,5X3,5 RP3/4
 CB-NC2 GX E 107/8A D34,5X3,5 RP1 1/4
 CB-NC2 GX E 107/8A D34,5X3,5 RP3/4
 CB-NC2 GX E 107/8A D34,5X3,5 RP1 1/4

31

☉⇒	Description	Manf. Pt. N	Type	<div style="display: flex; justify-content: space-between; font-size: 8px;"> CB-NC14 GX E 107/8A D34,5X3,5 SET+GASKET COVER/RP3/4 CB-NC14 GX E 107/8A D34,5X3,5 D11X2/MB.412 CB-NC21 GX E 107/8A D34,5X3,5 RP3/4 CB-NC21 GX E 107/8A D34,5X3,5 RP1 1/4 CB-NC2 GX E 107/8A D34,5X3,5 RP3/4 CB-NC2 GX E 107/8A D34,5X3,5 RP1 1/4 CB-NC2 GX E 107/8A D34,5X3,5 RP3/4 CB-NC2 GX E 107/8A D34,5X3,5 RP1 1/4 </div>																		From	to
				1	2	3	4	5	6	7	8	9	10	11	12	13	14	15	16	17	18		
4000	GAS TRAIN																						
4005	GAS COLLECTOR 65X65 90°/RP1 1/4 L198 AGP	13018623							●	●													
	GAS COLLECTOR 65X65 90°/RP3/4 L150 AGP	13018098		●	●	●	●																
4020	PRESSURE TAP R1/8	13009722		●	●	●	●	●	●														
4100	GAS VALVE MB-DLE407 B01 S20 RP3/4	13012424		●	●	●	●																
	GAS VALVE MB-DLE412 B01 S20 RP1 1/4	13020503							●	●													
4110	GAS PRESS.SWITCH GW 150 A5 5-150MB	13010078		●	●	●	●	●	●														
4140	STRAINER D20 /MB..405/407	65326948		●	●	●	●																
	STRAINER D30 / MB..410/412	65327438							●	●													
4200	O-RING D34,5X3,5 SET+GASKET COVER/MB407	13011111		●	●	●	●																
	O-RING KIT D34,5X3,5+D11X2/MB.412	13011114							●	●													
4300	FLANGE MB405/407 RP3/4 O-RING	13010074		●	●	●	●																
	FLANGE MB410/412 RP1 1/4	13010085							●	●													

CB-NC14-21 GX E 107/8A

Gas burners

ADRESSES

www.bosch.com



INDICAZIONI PER LA RICERCA DEI RIFERIMENTI

: **Numero di parte / Codice di colore / Numero di riferimento /**
 : **Numero di riferimento / Numero di riferimento /**

: **Numero di parte / Codice di colore / Numero di riferimento /**
 : **Numero di riferimento / Numero di riferimento /**

Numero di parte / Numero di riferimento /
 : **Numero di riferimento / Numero di riferimento /**
 : **Numero di riferimento / Numero di riferimento /**

INDICAZIONI PER LA RICERCA DEI RIFERIMENTI

SEQUENZIALE

10 Characters : YYMM00000000
 10 Characters : YYMM00000000

Exhaustion Certificate number
 Sequential number
 Month of manufacture
 Year of manufacture

AE → 2021
 AG → 2022
 AH → 2023
 etc...

10 Characters : YYMM00000000
 10 Characters : YYMM00000000

Exhaustion Certificate number
 Sequential number
 Year of manufacture

21 → 2021
 22 → 2022
 23 → 2023
 24 → 2024
 25 → 2025
 26 → 2026
 etc ...
 etc ...

Dispositivo a gas. Leggere attentamente le avvertenze e le istruzioni per l'uso. Per informazioni e assistenza, consultare il sito internet www.bosch.com. Per il servizio clienti, chiamare il numero verde 800 20 20 20. Per il servizio clienti, chiamare il numero verde 800 20 20 20. Per il servizio clienti, chiamare il numero verde 800 20 20 20. Per il servizio clienti, chiamare il numero verde 800 20 20 20.