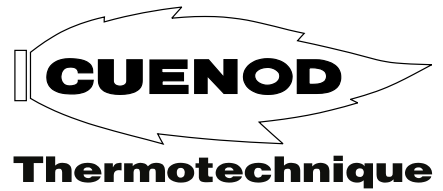


Pièces de rechange  
Spare parts list  
Ersatzteilliste

C 4 R101  
C 4, C 6 H101

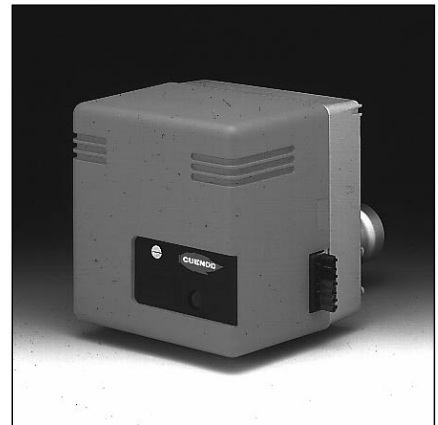
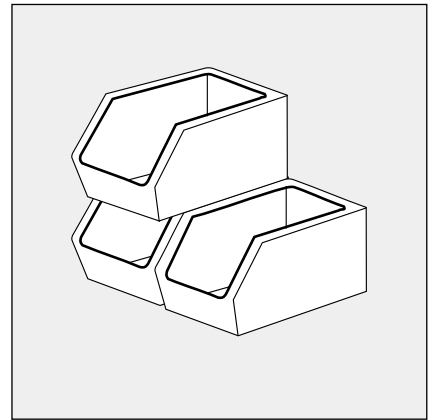
Brûleur fuel  
Light oil burner  
Leichtölbrenner

1 allure préchauffée  
1 allure

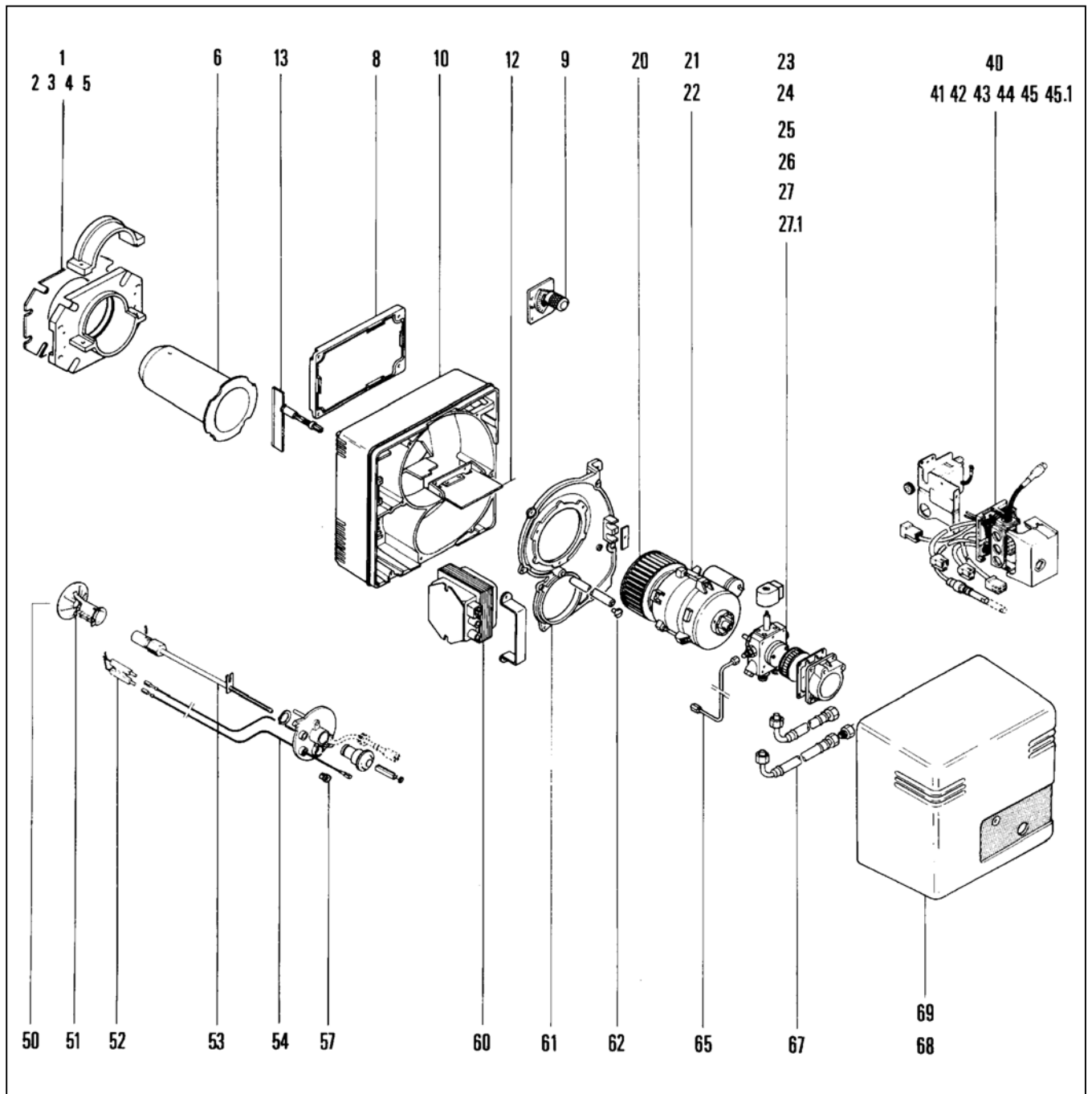


9603 / 0 147 825C

FR

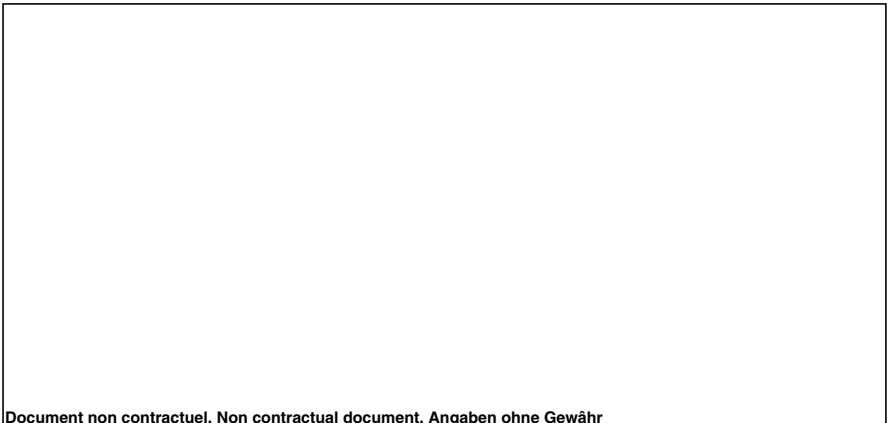


|          |    |           |
|----------|----|-----------|
| C 4 R101 | T1 | 0 201 818 |
| 0,50     |    |           |
| C 4 R101 | T1 | 0 201 819 |
| 0,60     |    |           |
|          |    |           |
| C 4 H101 | T1 | 0 201 807 |
| 0,60     |    |           |
| C 4 H101 | T1 | 0 201 808 |
| 0,75     |    |           |
| C 4 H101 | T1 | 0 201 809 |
| 0,85     |    |           |
|          |    |           |
| C 6 H101 | T1 | 0 201 469 |
| 1,00     |    |           |
| C 6 H101 | T1 | 0 201 417 |
| 1,25     |    |           |
|          |    |           |
|          |    |           |

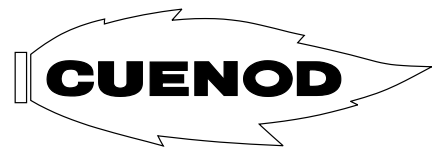


| Pos. | Désignation              | Description                | Bezeichnung               | n° Art.    |
|------|--------------------------|----------------------------|---------------------------|------------|
| 01   | Accessoires chaudière    | Boiler accessories         | Beipack                   | 13 015 511 |
| 02   | Joint plat               | Flange                     | Dichtung                  | 13 016 224 |
| 03   | Joint tressé céramique   | Braided ceramic flange     | Glasschnurgedreht         | -----      |
| 04   | Bride fixe/joint         | Burner flange              | Brennerflansch            | 13 020 222 |
| 05   | Bride mobile             | Flange bracket             | Bügel-Flansch             | 13 020 222 |
| 06   | Embout Ø 63/80X177       | Blast tube                 | Flammenrohr               | 13 015 977 |
| 08   | Boîte à air              | Air damper cover           | Luftkasten BG             | -----      |
| 09   | Commande manu.volet air  | Manu.control air flap      | Man.Luftklappenantrieb    | 13 019 581 |
| 10   | Carter                   | Burner housing             | Gehäuse                   | -----      |
| 12   | Volet air à dépression   | Air flap                   | Luftklappe                | 7 136 976  |
| 13   | Volet air                | Air flap                   | Luftklappe                | 13 016 779 |
| 20   | Turbine Ø 120X52         | Air fan Ø 120X52           | Ventilatorrad Ø 120X52    | 13 016 685 |
| 21   | Moteur 95 W + cond.      | Motor 95 W + cond.         | Motor 95 W + Kond.        | 13 016 357 |
| 22   | Cond. SMEN 5 µF (4P.6,4) | Cond. SMEN 5 µF            | Kond. SMEN 5 µF           | 13 015 721 |
|      | Cond. AEG 4 µF (2P.3,0)  | Cond. AEG 4 µF             | Cond. AEG 4 µF            | 13 015 720 |
| 23   | Pompe AS 47 D 1568       | Pump AS 47 D 1568          | Pumpe AS 47 D 1568        | 13 010 118 |
| 24   | Accouplement             | Coupling                   | Kupplung                  | 13 015 526 |
| 25   | Bobine                   | Magnet coil                | Magnetspule               | 13 015 572 |
| 26   | Filtre H19               | Filter inlet               | Filtereinsatz             | 13 013 066 |
| 27   | Joint/couvercle          | Cover sealing              | Deckeldichtung            | 13 016 206 |
| 40   | Toron                    | Strand                     | El.Mont.Platte BG         |            |
|      | 4                        |                            |                           | -----      |
|      | 6                        |                            |                           | 13 020 023 |
|      | 4R                       |                            |                           | -----      |
| 41   | Partie active LOA 21     | Control box LOA 21         | Relais LOA 21             | 13 016 391 |
| 42   | Socle coffret            | Control box base           | Relaissockel              | 13 016 571 |
| 43   | Porte presse étoupe      | Fix.stuffing base          | Stopfbuchsenhalter        | 13 018 465 |
| 44   | Cellule QRB1S            | Photocell QRB1S            | Fotozelle QRB1S           |            |
|      | 4-4R L130mm              | 4-4R (long)                | 4-4R (Lang)               | 13 015 688 |
|      | 4-6 L40mm                | 4-6 (short)                | 4-6 (Kurz)                | 13 015 689 |
| 45   | Prise Wieland fem. 7P    | Wieland plug               | Wieland Stecker           | 13 016 492 |
| 45.1 | Câble/prise réchauffeur  | Cable/preheat.plug         | Vorwärmerkabel            | 13 015 637 |
| 50   | Tête de combustion       | Firing head                | Brennstoffkopf            |            |
|      | 4-6                      | 4-6                        | 4-6                       | 13 020 263 |
|      | 4R                       | 4R                         | 4R                        | 13 020 264 |
| 51   | Défecteur                | Turbulator                 | Turbulator                |            |
|      | 4-4R Ø 63/16-4F.DRO.     | 4-4R 4 slot                | 4-4R 4 Schlitze           | 13 015 743 |
|      | 4-6 Ø 63/20-6F.DRO.      | 4-6 6 slot                 | 4-6 6 Schlitze            | 13 015 744 |
| 52   | Electrode allu. (marron) | Ignition electrode (brown) | Zünder Elektroden (braun) | 13 015 848 |
| 53   | Ligne gicleur            | Nozzle assembly            | Düsengestänge             |            |
|      | 4-6                      | 4-6                        | 4-6                       | 13 016 821 |
|      | 4R                       | 4R                         | 4R                        | 13 016 282 |
| 54   | Câble allu. 2x           | Ignition lead              | Zündkabel                 | 13 015 607 |
| 57   | Serre câble 2x           | Bush                       | Tülle                     | 13 016 548 |
| 60   | Transformateur allu.     | Ignition transfo.          | Zündtransfo.              | 13 016 669 |
| 61   | Platine fermeture volute | Cover for housing          | Gehäusedeckel             | -----      |
| 62   | Vis/capot                | Oval head screw            | Linsenschraube            | 13 016 774 |
| 65   | Tube PO/ligne gicleur    | Oil feed tube              | Rohrpumpe DG              | 13 018 801 |
| 67   | Flexible L1,15m 2x       | Oil hose                   | Oelschlauch               | 13 016 021 |
| 68   | Capot éq.standard        | Cover                      | Schalldämmhaube Kpl       |            |
|      | 4-4R                     | 4-4R                       | 4-4R                      | -----      |
|      | 6                        | 6                          | 6                         | -----      |

---



Document non contractuel. Non contractual document. Angaben ohne Gewähr



**Thermotechnique**

B.P. 521

74112 Annemasse - Cédex FRANCE