



SPARE PARTS EXPLODED VIEW GAS BURNERS

Model

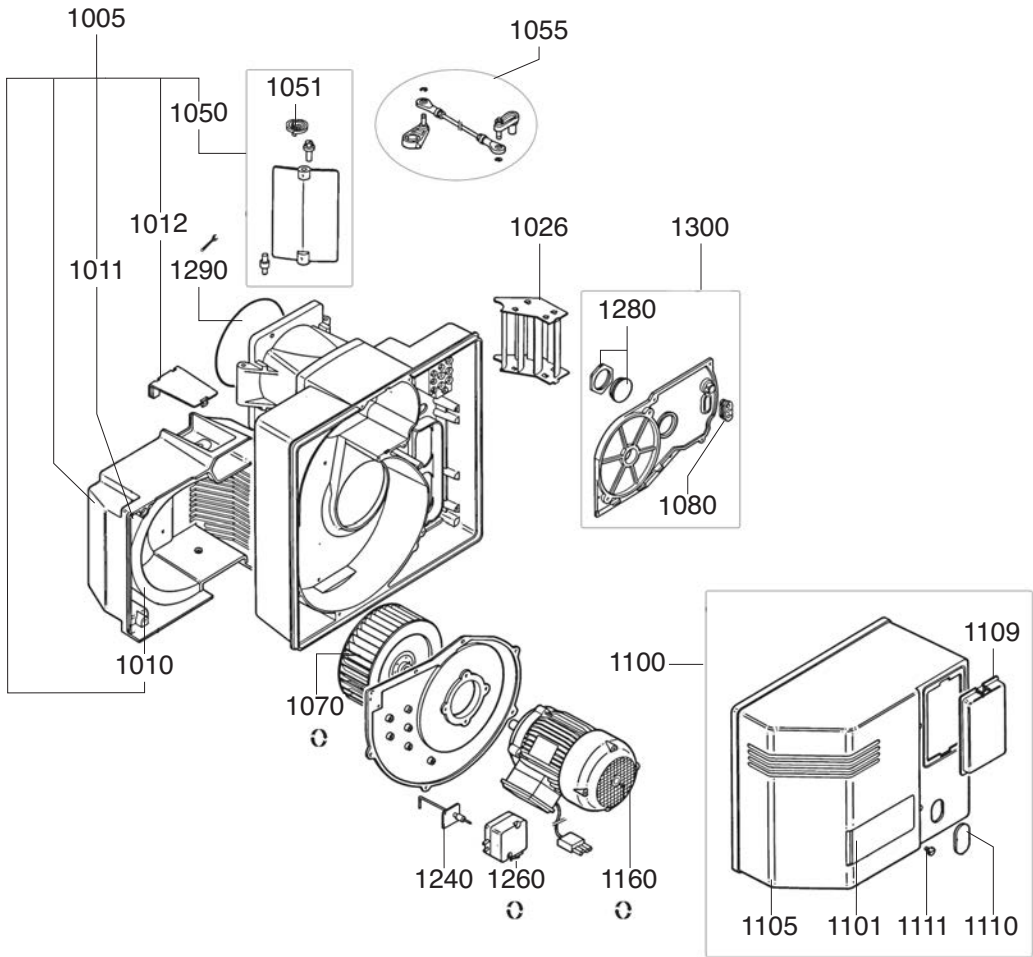
CB-C120-160-210-GX5-TC

R8220054-03 - 24/02/2021

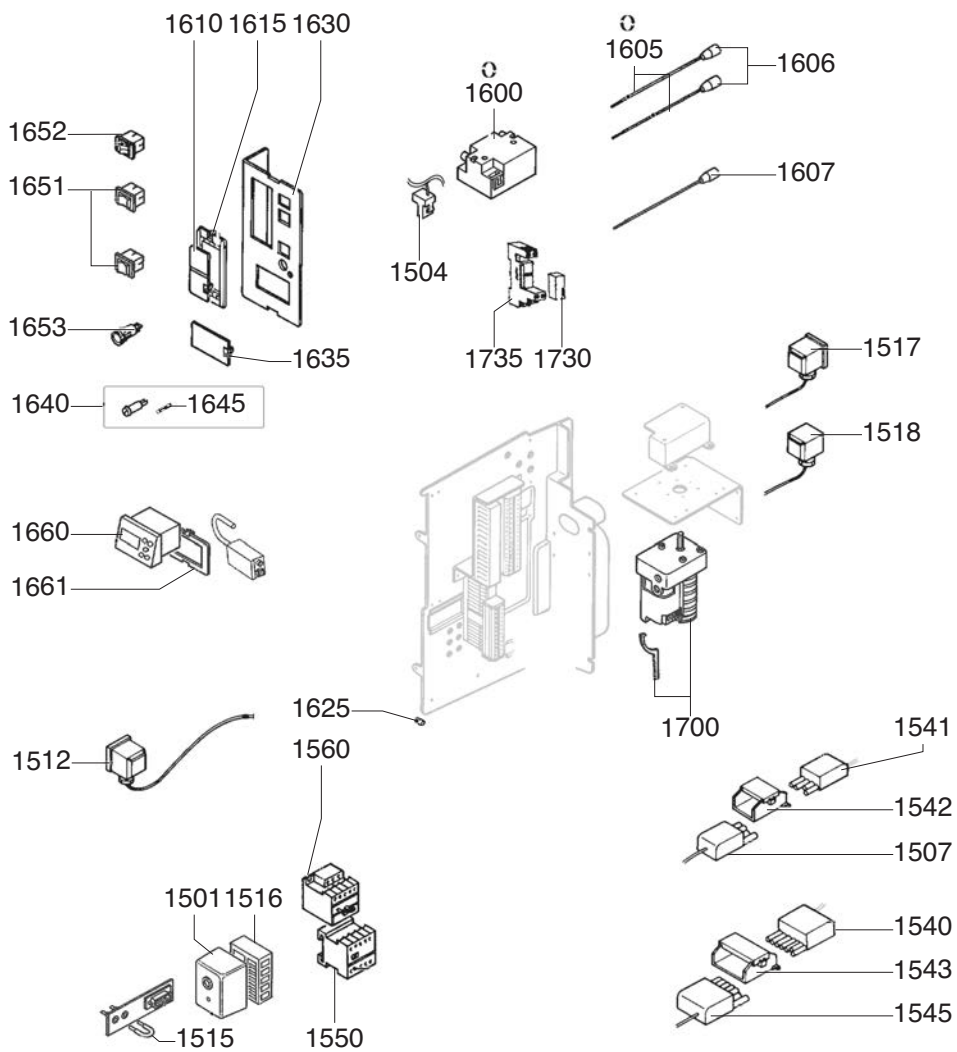
1	13004582	BB-C120/160 GX507/8/TC	01-1999	09-2012
2	13004583	BB-C210 GX507/8/TC	01-1999	09-2012
3	13004600	CH-G731-T1/KN	01-2010	10-2014
4	13004601	CH-G731-T2/KL	01-2010	04-2016
5	13004602	CH-G731-T3/KM	01-2010	-
6	13004641	CH-G732-T1/KN	01-2010	10-2014
7	13004642	CH-G732-T2/KL	01-2010	10-2014
8	13004643	CH-G732-T3/KM	01-2010	10-2014
9	13014760	GT-D31-1"1/4-RP2"	10-2012	-
9	13005001	GT -D323 - 1 1/4-RP2 /TC	01-2010	-
9	13006667	GT -D322 - 1 1/4-RP2	09-2006	04-2017
10	13006666	GT-D32-1"1/2-RP2"	01-2010	-
11	13014877	GT - D350 - 1 1/2 - RP2 /TC	08-2000	10-2017
11	13006653	GT - D336 - 1 1/2-RP2 /TC	09-2006	04-2016
12	13006652	GT - D349 - 2 -RP2	08-2000	10-2017
12	13005497	GT -D328 - 2 -RP2 /TC	06-2008	04-2016
13	13020944	GT-S31-2"-RP2"	02-2010	04-2016
13	13020867	GV VGD20 050 P40 C160/210	06-2008	-
14	13020853	GT-S32-65-DN65	01-2010	04-2016
14	13020769	GV VGD40 065 P20 C 210	06-2008	-
15	3832947	GT -S33 - 80 - DN80	10-2012	04-2016
15	13020883	RAMPE GAZ VGD40 080 P20 C160/210	10-2007	-

Col	Reference	Model type	Begin	End
-----	-----------	------------	-------	-----

1000

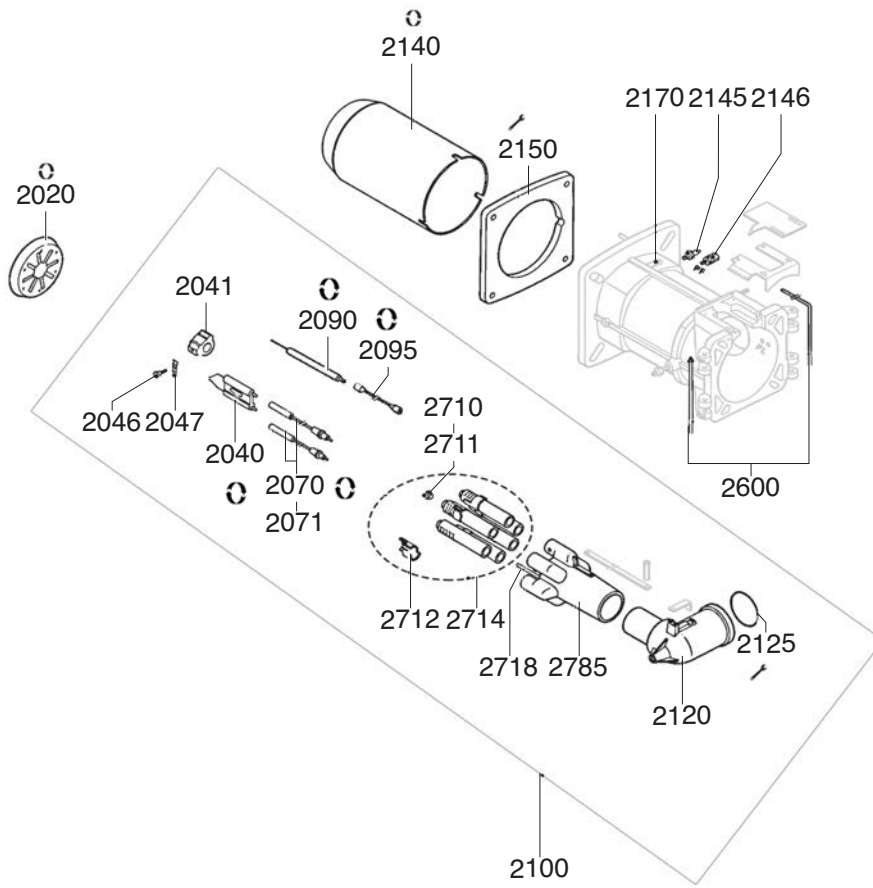


1500

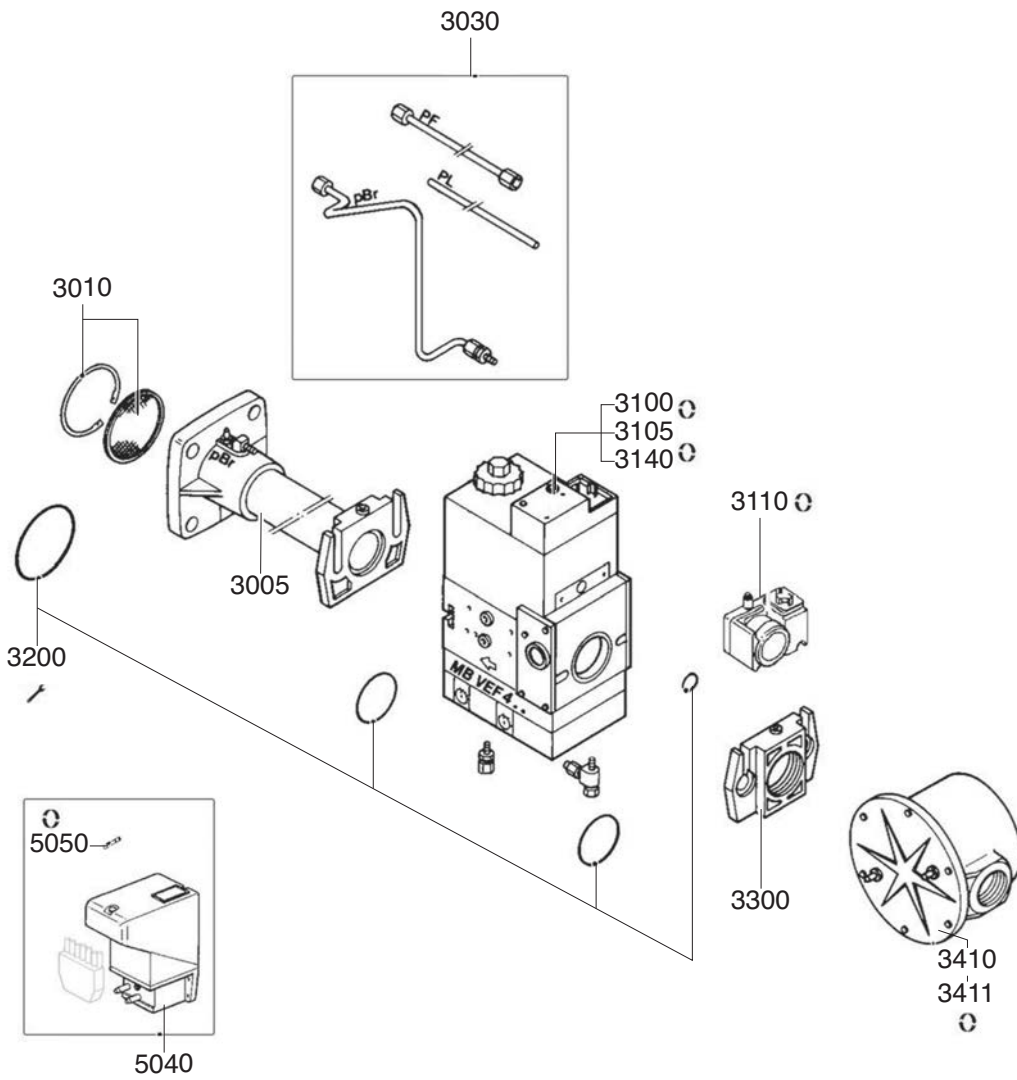


☉⇒	Description	Manf. Pt N	Type	<div style="display: flex; justify-content: space-between; font-size: 8px;"> BB-C120/C160 GX507/8/TC BB-C210 GX507/8/TC CH-GT31-T1/KN CH-GT31-T2/KN CH-GT31-T3/KN CH-GT32-T1/KN CH-GT32-T2/KN CH-GT32-T3/KN GT-832-1"1/2-Rp2" GT-832-1"1/2-Rp2" GT-832-2"Rp2-DIN65-VPS GT-833-80-DIN65-VPS GT-833-80-DIN65-P20 </div>																		From	to
				1	2	3	4	5	6	7	8	9	10	11	12	13	14	15	16	17	18		
1000	BURNER BODY																						
1005	AIR BOX 318X414X167+FLAP+GREY SPRING+COV	13011565		●	●																		
1010	SOUND INSULATION/AIR BOX 302X275X166/V5	13009641		●	●																		
1011	GASKET/CASING AIR109X6X7 PROFILED	13009640		●	●																		
1012	COVER 80X143X47/AIR BOX	13009642		●	●																		
1026	AIR RECTIFIER 148/162 4BL.	13009748		●	●																		
1050	AIR FLAP 232X154+SPRING+LEVER	13014117		●	●																		
1051	SPRING SPIRAL D22X21,5 GREY/AIR FLAP	13011751		●	●																		
1055	COUPLING AIR FLAP/SQN-SQM EQ.L277	13011835		●	●																		
1070	FAN WHEEL D240X114 d24	13009736		●	●																		
	FAN WHEEL D250X114 d24	13009737		●	●																		
1080	CABLE GROMMET 42X23X18,5 2XD7,5-D4,5	13009648		●	●																		
1100	COVER ORANGE 584X549X305 CPL./C70-210	13015646		●	●																		
1101	PLATE FRONT/COVER 212X120/C160	13016417		●	●																		
	PLATE FRONT/COVER 212X120/C210	13016418		●	●																		
1105	GASKET/COVER 10X3 L1000	13009772		●	●																		
1109	COVER 140X254/C70-210/COVER V05-06	13009659		●	●																		
1110	SHUTTER 60X45X7/COVER (SH-SG)	13009742		●	●																		
1111	SCREW D16/M5X15 WHITE/COVER	13009657		●	●																		
1160	MOTOR 2.2KW 230/400V D24+PLUG	13009739		●	●																		
	MOTOR 2.5KW 230/400V D24+PLUG	13009740		●	●																		
1240	AIR PRESSURE PLUG ADJUTAGE D0,7 L145	13009738		●	●																		
1260	AIR PRESS. SWITCH LGW 3 A2 0.4-3MB DIN	13010111		●	●																		
1280	SIGHT GLASS D55/50X21+NUT M48	13010008		●	●																		
1290	GASKET/HOUSING-HEAD D218X8/5X10	13010055		●	●																		
1300	PLATE MOTOR-POMP 380X179 D60+GLASS/V06	13010036		●	●																		
1500	ELECTRIC PART																						
1501	CONTROL UNIT SG 513 C2	13011099		●	●																		
1504	CABLE IGNIT.TRANSFO+PLUG 2P 2X0,75 L420	13009773		●	●																		
1507	CABLE+PLUG 4P/3X0,75 L620	13009669		●	●																		
1512	CABLE AIR P.SWITCH+PLUGDIN/2X0,75 L1200	13011623		●	●																		
1515	IONISATION BRIDGE MESURE 28X37 D4X20	13010019		●	●																		
1516	PLUG-IN BASE SAT S98 TF-MM-DK-DM	13009780		●	●																		
1517	CABLE GAS P.SWITCH+P.DIN/4X0,75L2000	13011839		●	●																		
1518	CABLE GAS VALVE+P.DIN/3X0,75 L2000	13009666		●	●																		
1540	PLUG WIELAND 7P	13009670		●	●																		
1541	PLUG WIELAND 4P GREEN	13009667		●	●																		
1542	COVER ST 18/4/WIELAND PLUG 4P	13009668		●	●																		
1543	COVER ST 18/7/WIELAND PLUG 7P	13009671		●	●																		
1545	CABLE+PLUG 7P/7X0,75 L620	13009672		●	●																		
1550	CONTACTOR SCH T.LC1-K0910M7	13009778		●	●																		
1560	THERMIC RELAY SCH LR2K 5,5-8,0A	13009746		●	●																		
1600	IGNITION TRANSFO. EBI 2X7,5 230V	13009663		●	●																		
1605	IGNITION CABLE D6,35/D4 L750X2 BODY	13009743		●	●																		
1606	ROUND PLUG D6,4 L48 (2 PCS)/IGNIT.CABLE	13010068		●	●																		
1607	IONISATION CABLE MC4/MC4 L750	13009744		●	●																		
1610	SHUTTER 96,5X48,5/RWF	13009661		●	●																		
1615	BRACKET CONTROLLER 96X48 140X52X6,5	13009662		●	●																		
1625	RUBBER CAP D14/6X26//IGNITION CABLE	13009625		●	●																		
1630	CONTROL BOARD SG513 G5/G-DP	13014002		●	●																		
1635	SHUTTER 58X113/DISPLAY	13009790		●	●																		
1640	FUSE HOLDER FPG EQUIPPED 6,3A	13009685		●	●																		
1645	FUSE 5X20 FST 6,3A 250V	13016028		●	●																		
1651	SWITCH COM 3 POS. ON-OFF-ON 401 0C3 005	13009683		●	●																		
1652	DOUBLE SWITCH 2 POS. LUMINOUS	13009787		●	●																		
1653	PUSH BUTTON BRIGHT/RESET CONTROL UNIT	13009788		●	●																		
1660	KIT DISPLAY-MDE IR C75-210 H-GX	13007610		●	●																		
1661	BRACKET DISPLAY 113/94X58/43X4	13009684		●	●																		
1700	ACTUATOR SQN 31.481 A2766	13011620		●	●																		
1730	RELAY FIN 40.52 230V 2 CONT.	13017721		●	●																		
1735	BRACKET RELAY FIN 95,05 78,6X15,6X75	13017720		●	●																		

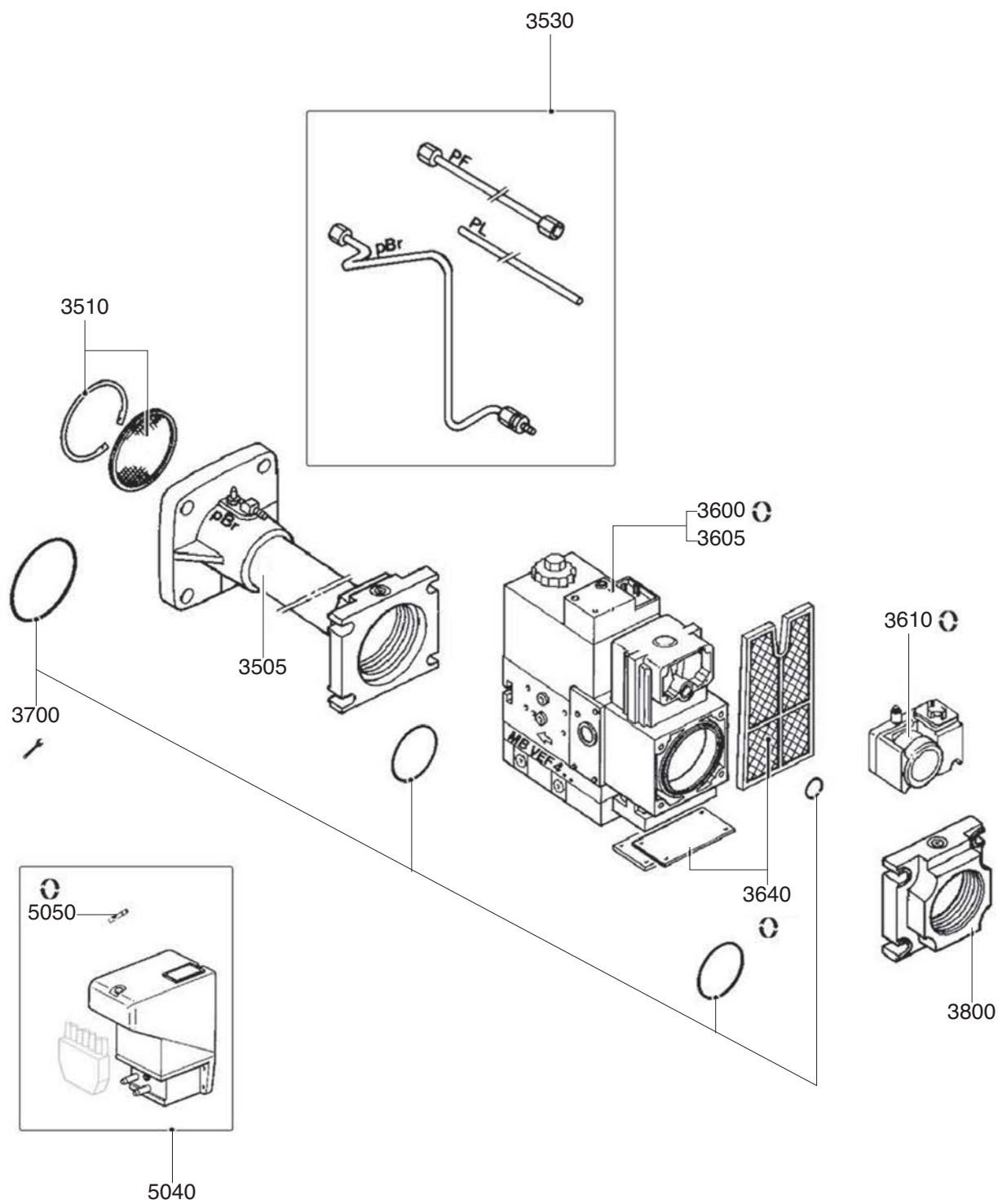
2000




3000



Description	Manf. Pt. N	Type	<div style="display: flex; justify-content: space-between; font-size: 8px; font-weight: bold;"> BB-C120/C160 GX507/8/TC BB-C210 GX507/8/TC CH-GT31-T1/KN CH-GT31-T2/KL CH-GT31-T3/KM CH-GT32-T1/KN CH-GT32-T2/KL GT-831-1"1/2-Rp2" GT-832-1"1/2-Rp2" GT-833-1"1/2-Rp2" GT-831-2"Rp2-DN65-VPS GT-832-2"Rp2-DN65-VPS GT-833-2"Rp2-DN65-VPS </div>																		From	to
			1	2	3	4	5	6	7	8	9	10	11	12	13	14	15	16	17	18		
2000 BURNER HEAD																						
2020 BAFFLE PLATE D155/50 8SL R 7DRIL.	13009712																					
BAFFLE PLATE D168/50 8SL 7DRIL.	13009711																					
2040 ELECTROD.BLOC.27X55 d6,4 D2X23 45°+SCREW	13009726																					
2041 BRACKET ELECTR.D22+FLAT 12X24+FLAT 10X24	13010050																					
2046 CYLINDRIC SCREW D10/5/M4X17,5/ELECTRODE	13010049																					
2047 FLANGE 20X11X2,6 FIX. ELECTRODE	13009725																					
2070 IGNITION CABLE D6,35/D6,35 L950 X2 HEAD	13009727																					
2071 ROUND SOCKET D6,4 L48 (2 PCS)/IGNI.CABLE	13010056																					
2090 IONISATION PROBE D8X120 d6,4 D4X36	13009626																					
2095 IONISATION CABLE MC4/D6,35 L950	13009728																					
2100 COMB.HEAD GAS L473 D126 CPL.	13010051																					
COMB.HEAD GAS L573 D126 CPL.	13010052																					
COMB.HEAD GAS L673 D126 CPL.	13010053																					
2120 GAS ELBOW D95/70 L125/227 90°	13009732																					
GAS ELBOW D95/70 L125/327 90°	13009734																					
GAS ELBOW D95/70 L125/427 90°	13009733																					
2125 O-RING D75X4	13009731																					
2140 FLAME TUBE D227/160/205 L343 TURBU.D171	13009716																					
FLAME TUBE D227/160/205 L443 TURBU.D171	13009718																					
FLAME TUBE D227/160/205 L543 TURBU.D171	13009717																					
FLAME TUBE D227/172/190 L343 TURBU.D171	13009713																					
FLAME TUBE D227/172/190 L443 TURBU.D171	13009715																					
FLAME TUBE D227/172/190 L543 TURBU.D171	13009714																					
2145 PRESSURE TAP R1/8	13009722																					
2146 STRAIGHT UNION	13009721																					
2150 GASKET/BURNER FLANGE 335X326X3 D250	13009719																					
2170 SCREW HEX.13 D18/M8X20 (X.3)/FLAME TUBE	13009723																					
2600 SPINDLE/HINGE BODY-HEAD D12X210+D12X83	13009724																					
2710 KIT 6 SCREWS M5X6 D3 INT./NATURAL GAS	13010048																					
2711 KIT 6 SCREWS M5X6/LPG	13007041																					
2712 SHUTTER D27,8X50/GAS NOZZLE (6 PCS)	13010046																					
2714 GASNOZZLE D28 L170 6 SL.+RING (6 PCS)	13010047																					
2718 GASNOZZLE D6/4 L151 IGNITION	13014075																					
2785 GAS HEAD L246 D126/75 6 TUBES D28	13009730																					
3000 GAS TRAIN																						
3005 GAS COLLECTOR 106X106/RP1 1/4 L210 D79	13014122																					
3010 STABILISER + CIRCLIP D60	13011367																					
3030 TUBES P AIR+COMBUSTION/R+L	13014125																					
3100 GAS VALVE MB-VEF412 B01 S30 PL=0,3-PF=1,	13011720																					
3105 COIL DUN N° 1205 MBVEF412	13010084																					
3110 GAS PRESS.SWITCH GW 150 A5 5-150MB	13010078																					
3140 STRAINER MB.410-412	13016012																					
3200 O-RING KIT D70X3+D50X3 (2)+D11X2/MB..412	13011366																					
3300 FLANGE MB410/412 RP1 1/4	13010085																					
3410 EXTERNAL GAS FILTER RP2	13009700																					
3411 STRAINER GF 520+O-RING	13010044																					
5040 TIGHTNESS CONTROL VPS504 S01	13020152																					
5050 FUSE 5X20 6,3A 250V GLASS	3333550051																					

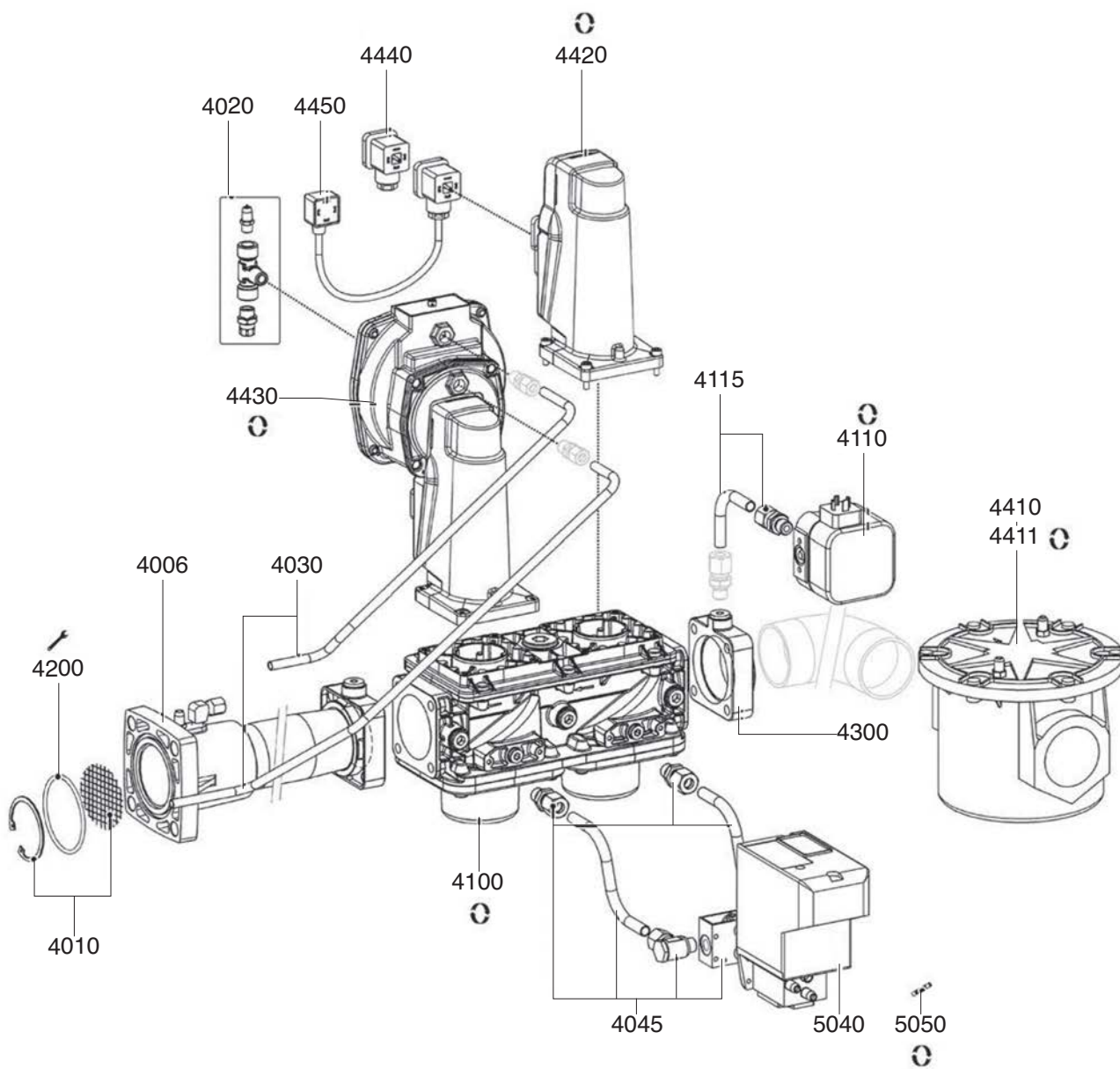


BB-C120/180 GX507/8/TC
 BB-C210 GX607/8/TC
 CH-GT31-T1/KN
 CH-GT31-T2/KN
 CH-GT31-T3/KNM
 CH-GT32-T1/KN
 CH-GT32-T2/KN
 CH-GT32-T3/KNM
 GT-802-1"1/2-RP2"
 GT-803/803/8-1"1/2-RP2"
 GT-834/910/28-2"-RP2"
 GT-831-2-RP2-DN65-VPS
 GT-832-65-DN65-VPS
 GT-833-80-DN80-065 P20

Description	Manf. Pt. N	Type																			From	to
			1	2	3	4	5	6	7	8	9	10	11	12	13	14	15	16	17	18		
3500 GAS TRAIN																						
3505 GAS COLLECTOR 106X106/RP2 L200 D79 MB420	13014128											●	●									
GAS COLLECTOR 106X106/RP2 L200 D79 MB425	13014123													●								
3510 STABILISER + CIRCLIP D60	13011367											●	●	●								
3530 TUBES P AIR+COMBUSTION/R+L	13014126													●								
TUBES P AIR+COMBUSTION/R+L	13014129											●	●									
3600 GAS VALVE MB-VEF420 B01 S10 RP2+FP	13011725											●	●									
GAS VALVE MB-VEF420 B01 S32 RP2	65301037	D336										●										
GAS VALVE MB-VEF425 B01 S10 RP2 GW150	13021114													●								
3605 COIL DUN No. 1405 MBVEF425 S10-S30	13020727													●								
DUN COIL No. 1215 MBVEF420	13011726											●	●									
3610 GAS PRESS.SWITCH GW 150 A5 5-150MB	13010078											●	●	●								
3640 FILTER SCREEN DUNGS/MB-VEF 425	13014127													●								
STRAINER GRID MB..420	13007901											●	●									
3700 O-RING KIT D70X3+D86X3 (2)D11X2/MB..420	65300671											●	●	●								
3800 FLANGE MB420 RP2 + PRES.PLUG	13007859											●	●									
FLANGE MB425 RP2	13014124													●								
5040 TIGHTNESS CONTROL VPS504 S01	13020152											●	●	●								
5050 FUSE 5X20 6,3A 250V GLASS	3333550051											●	●	●								

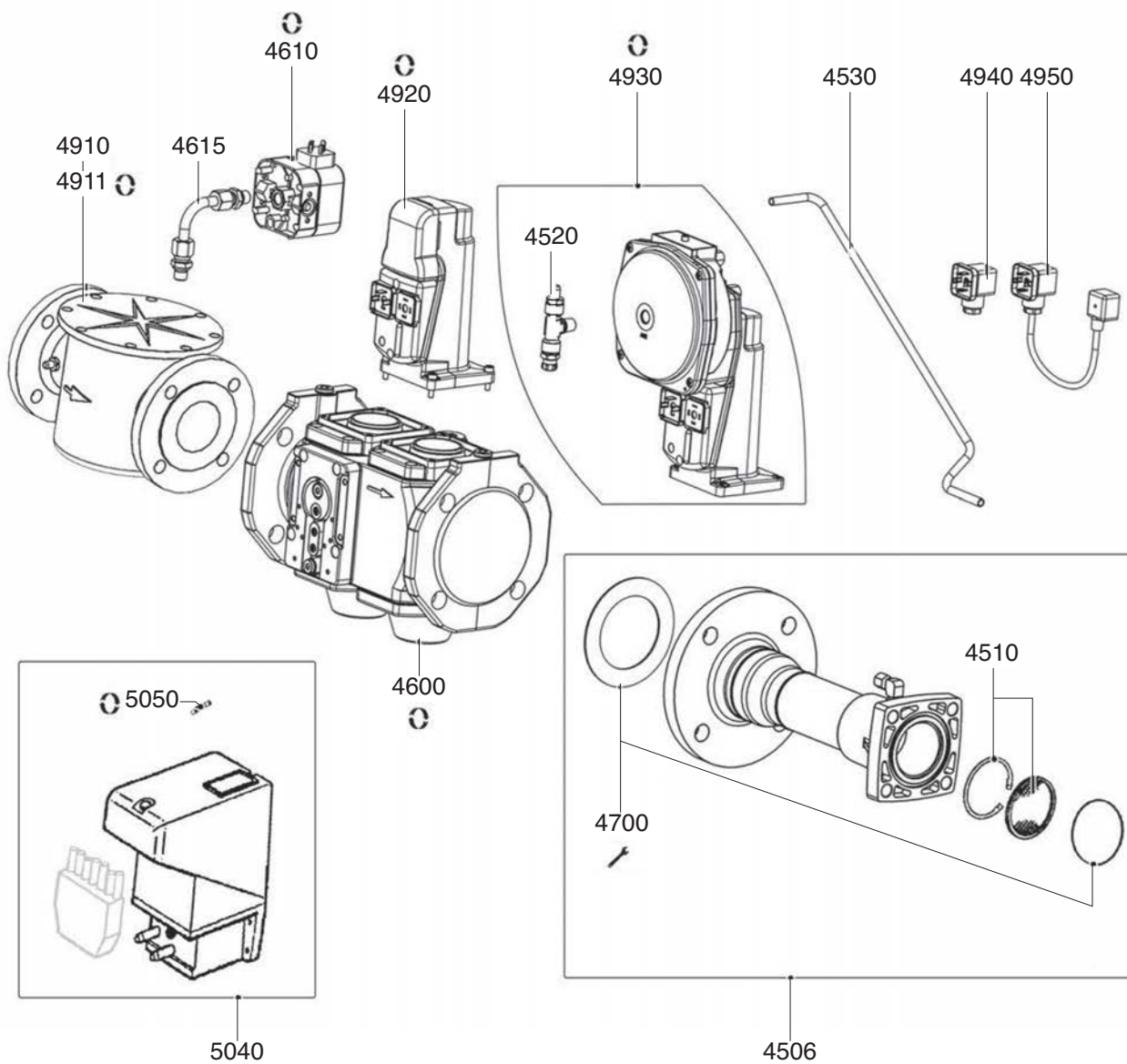
CB-C120, C160, C210 GX507/8/TC

Gas burners



☉ ⇒	Description	Manf. Pt. N	Type	BB-C120/C160 GX507/8/TC BB-C210 GX507/8/TC CH-GT31-T1/KN CH-GT31-T2/KL CH-GT31-T3/KM CH-GT32-T1/KN CH-GT32-T2/KL CH-GT32-T3/KM GT-832-1"1/2-RP2" GT-832-1"1/4-RP2" GT-831-2-RP2-DIN65-VPS GT-832-2-RP2-DIN65-VPS GT-833-80-DIN65-VPS GT-833-80-DIN65-P20																	
				1	2	3	4	5	6	7	8	9	10	11	12	13	14	15	16	17	18
4000	GAS TRAIN																				
4006	GAS COLLECTOR 106X106/RP2 L220 D79	65301024													●						
4010	STABILISER + CIRCLIP D60	13011367													●						
4020	PRESSURE TAP	13014880													●						
4030	TUBES P AIR+COMBUSTION/R+L SKP..5 RP2"	13021113													●						
4045	OP-KIT TUBE VPS FOR VGD20 50	13015138													●						
4100	GAS VALVE VGD20 5011 RP2	65311581													●						
4110	GAS PRESS. SWITCH GW 50 A4 2.5-50MB DIN	13011736													●						
4115	STEEL BEND TUBE	13014883													●						
4200	O-RING KIT D70X3+D66,3X2,6 (2)/VGD20	13011733													●						
4300	FLANGE AGF 10.50 RP2	65300871													●						
4410	EXTERNAL GAS FILTER RP2	13009700													●						
4411	STRAINER GF 520+O-RING	13010044													●						
4420	GAS SERVOM. SKP15.000E2 W/O LIMIT SW.	13020951													●						
4430	GAS SERVOM. SKP75.003E2 W/O LIMIT SW.	13020950													●						
4440	BRIDGE CONNECTOR AGA68	13022511													●						
4450	CABLE CONNECT AGA 62 PLUG DIN L270	13020958													●						
5040	TIGHTNESS CONTROL VPS504 S01	13020152													●						
5050	FUSE 5X20 6,3A 250V GLASS	3333550051													●						

0-0
31



☉⇒	Description	Manf. Pt. N	Type	BB-C120/180 GX507/8/TC BB-C210 GX507/8/TC CH-GT31-T1/KN CH-GT31-T2/KL CH-GT31-T3/KM CH-GT32-T1/KN CH-GT32-T2/KL CH-GT32-T3/KM GT-802-1"1/2-Rp2" GT-802-1"1/2-Rp2" GT-831-2-Rp2-DN65+VPS GT-832-65-DN65+VPS GT-833-80-DN80-065 P20																	
				1	2	3	4	5	6	7	8	9	10	11	12	13	14	15	16	17	18
4500	GAS TRAIN																				
4506	GAS COLLECTOR 106X106/DN65 L270 D79	65301022													●						
	GAS COLLECTOR 106X106/DN80 L270 D79	65301023														●					
4510	STABILISER + CIRCLIP D60	13011367													●	●					
4520	PRESSURE TAP	13014880													●	●					
4530	TUBES P AIR+COMBUSTION/R+L SKP..5 DN65	13021112													●						
	TUBES P AIR+COMBUSTION/VGD40 080 DN80	65300647														●					
4600	GAS VALVE VGD40 065 DN65	65323661													●						
	GAS VALVE VGD40 080 DN80	65311583														●					
4610	GAS PRESS. SWITCH GW 50 A4 2.5-50MB DIN	13011736													●	●					
4615	STEEL BEND TUBE	13014883													●	●					
4700	O-RING KIT D70X3+ D115/77(2)/MBC1900/VGD	13013781													●						
	O-RING KIT D70X3+ D132/80 (2)/VGD DN80	13013782													●						
4910	EXTERNAL GAS FILTER DN65	13009703													●						
	GAS FILTER DN80	13013787														●					
4911	STRAINER DN65 /ANELLO	13009704													●						
	STRAINER DN80 /ANELLO	13013788														●					
4920	GAS SERVOM. SKP15.000E2 W/O LIMIT SW.	13020951													●	●					
4930	GAS SERVOM. SKP75.003E2 W/O LIMIT SW.	13020950													●	●					
4940	BRIDGE CONNECTOR AGA68	13022511													●	●					
4950	CABLE CONNECT AGA 62 PLUG DIN L270	13020958													●	●					
5040	TIGHTNESS CONTROL VPS504 S01	13020152													●	●					
5050	FUSE 5X20 6,3A 250V GLASS	3333550051													●	●					

