



## SPARE PARTS EXPLODED VIEW GAS BURNERS

Model

### **CB-NC160-210-GX5A/TC**

R8220089-03 - 19/07/2016

CB-NC160-210-GX5A/TC

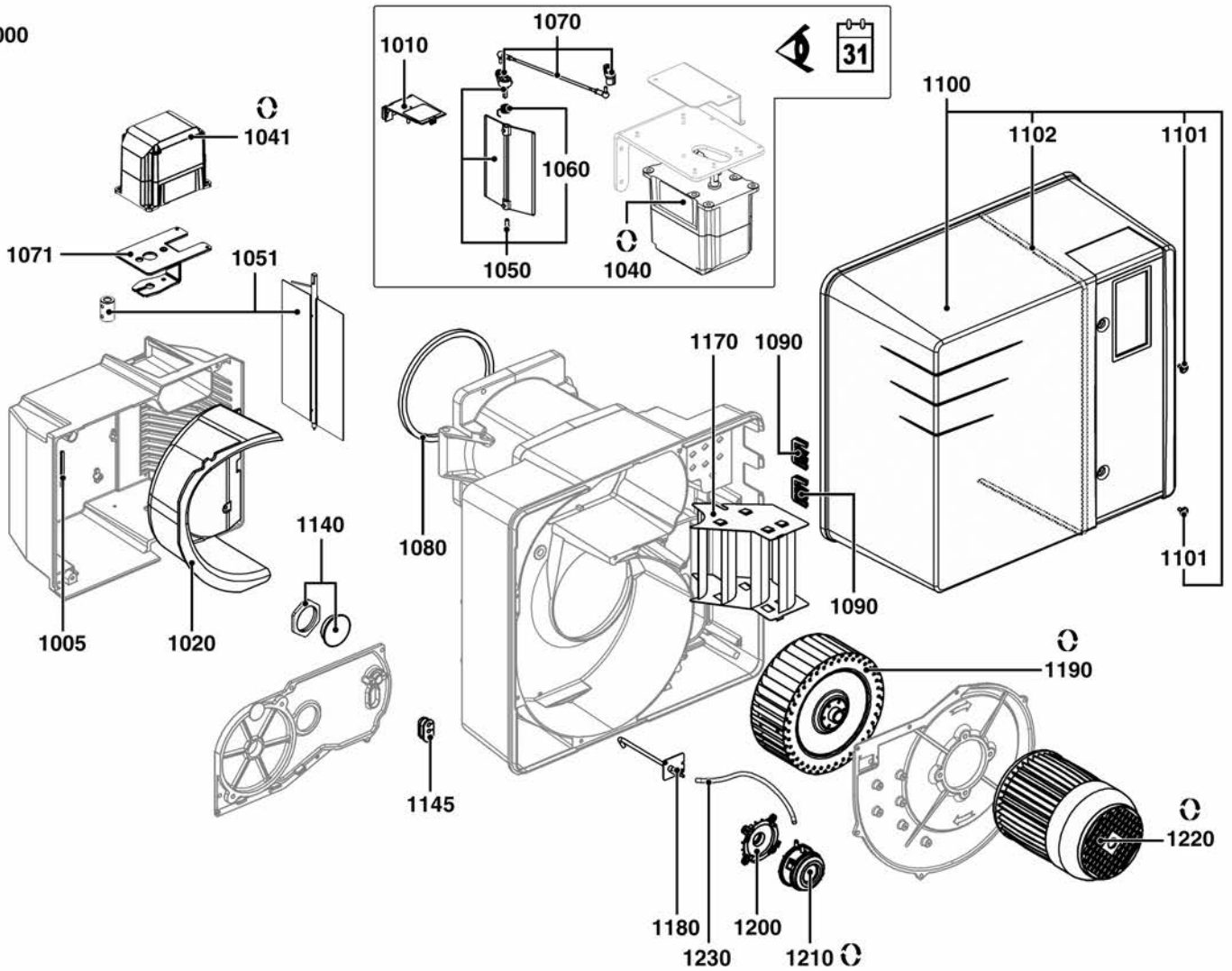
Gas burners

1	3833568	BB-NC160 GX507/8A /TC	06-2011	-
2	3833430	BB-NC210 GX507/8A /TC	12-2010	-
3	3833422	CH-G0731-T1/KN	02-2011	-
4	3833484	CH-G0731 - T2/KL	10-2011	-
5	3833615	CH-G0731 - T3/KM	10-2011	-
6	3833486	GT - d334 - 1"1/4-Rp2" /TC	09-2011	-
7	3833487	GT - d335 - 1"1/2-Rp2" /TC	09-2011	-
8	3833490	GT -s317 - 2"-Rp2" /TC	09-2011	-
9	3833489	GT -s316 - 65-DN65 /TC	10-2011	-
10	3833488	GT -s315 - 80-DN80 /TC	11-2011	-

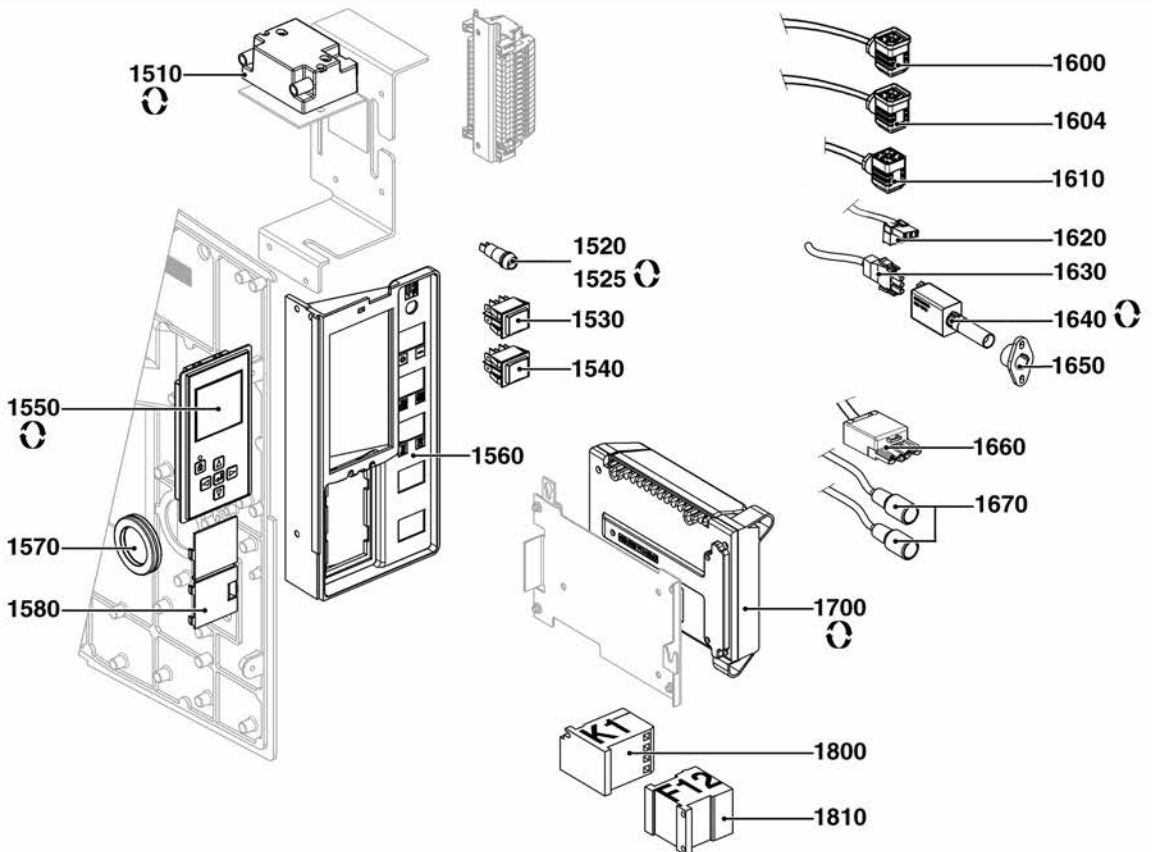
  


Col	Reference	Model type	Begin	End
-----	-----------	------------	-------	-----

1000



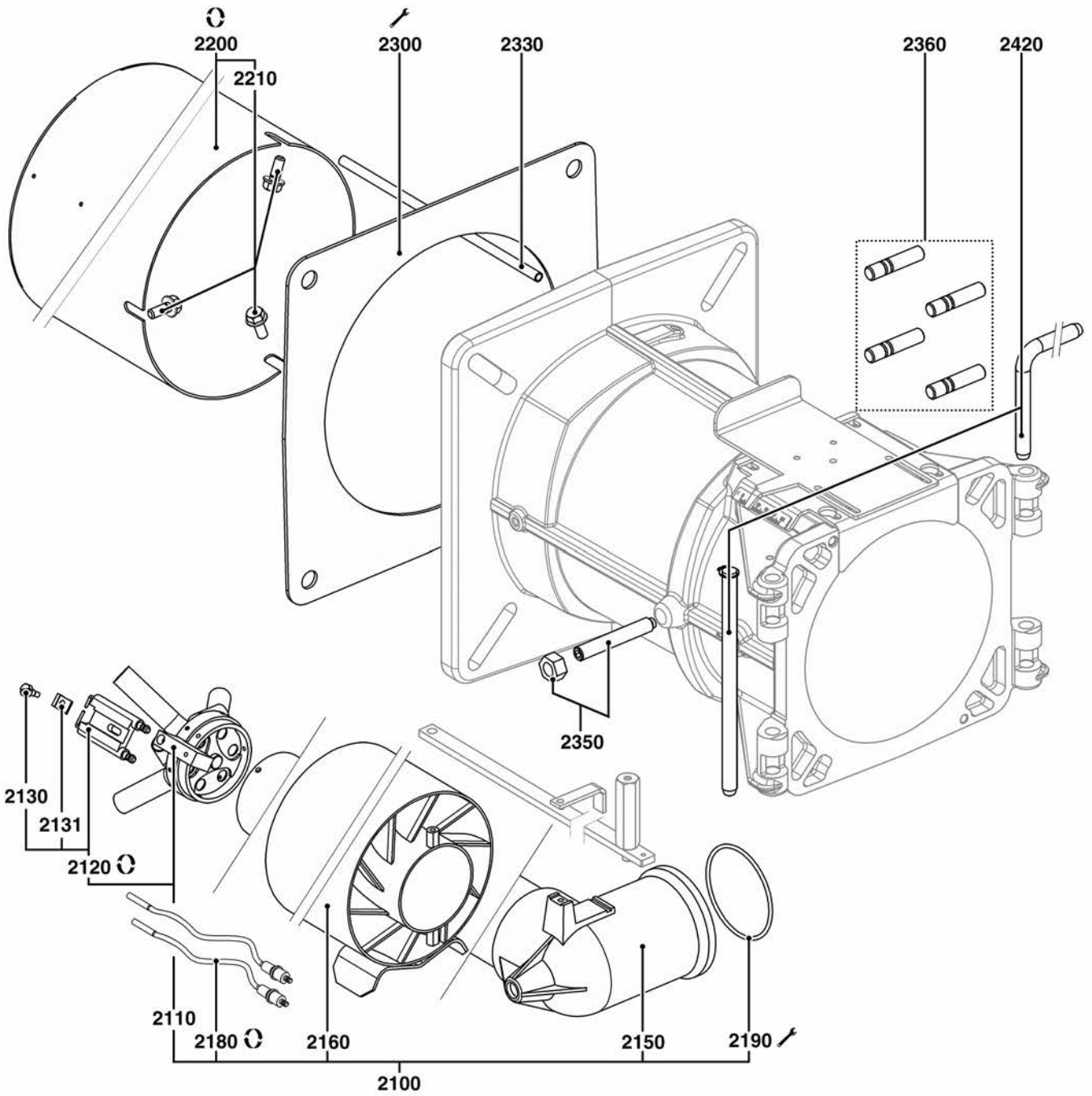
1500



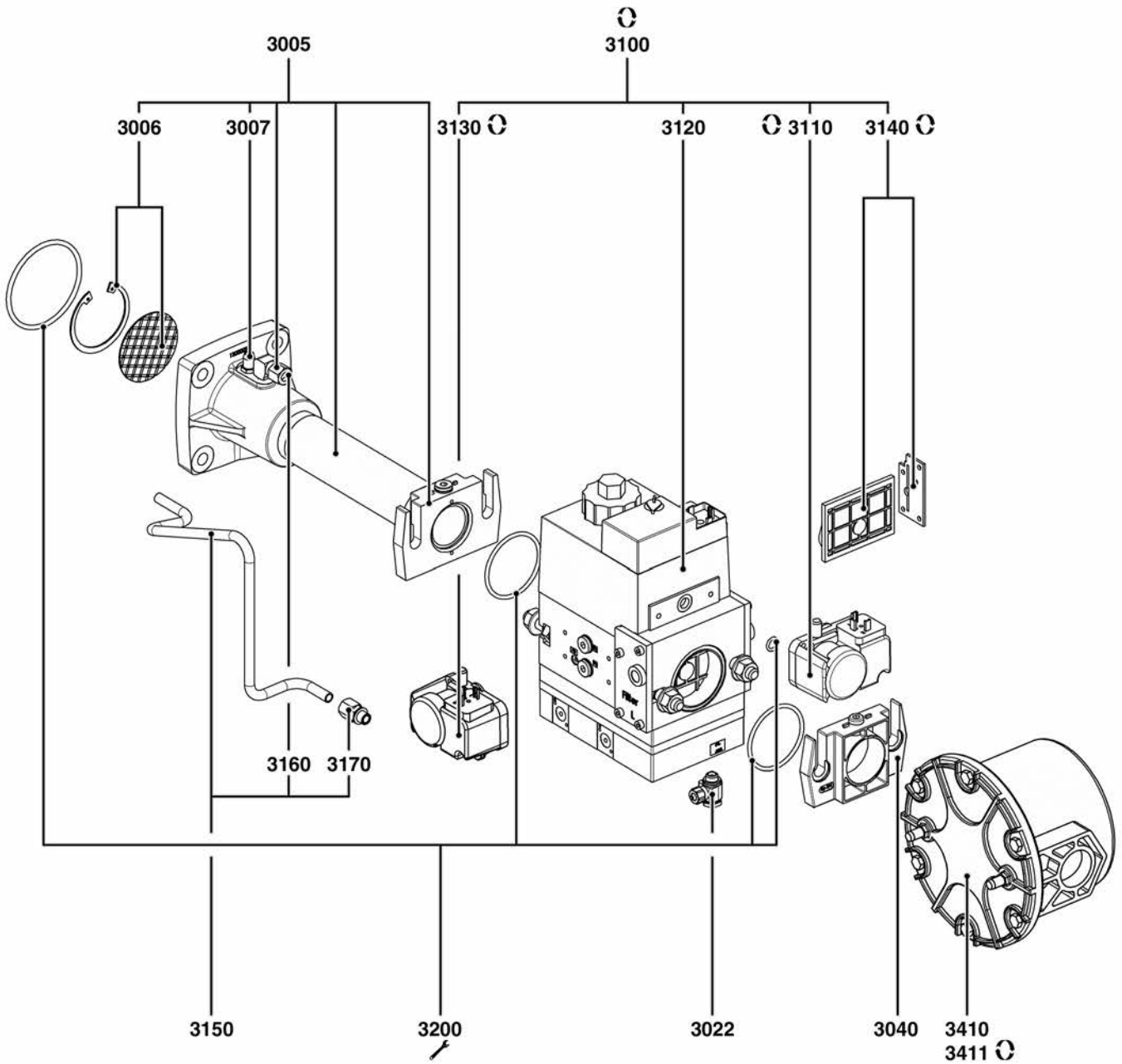
Description	Manf. Pt. N	Type																		
			1	2	3	4	5	6	7	8	9	10	11	12	13	14	15	16	17	18
<b>1000 BURNER BODY</b>																				
1005 GASKET/CASING AIR109X6X7 PROFILE	13009640		•	•																
1010 AIR BOX COVER	13009642		•	•															05/15	
1020 AIR BOX INSULATION	13009641		•	•																
1040 ACTUATOR STE 4,5 Q3.51/6 R 3NM	65301001		•	•															05/15	
1041 ACTUATOR STE 4,5 Q3.51/6 L 3NM	65326804		•	•													06/15			
1050 AIR FLAP WITH FITTINGS	13014117		•	•															05/15	
1051 AIR FLAP CPL. V6/NC160-210	65326227		•	•													06/15			
1060 AIR SPRING (GREY)	13011751		•	•															05/15	
1070 COUPLING CPL.	65301070		•	•															05/15	
1071 SERVOMOTOR HOLDER	65326226		•	•														06/15		
1080 GASKET/HOUSING-HEAD D218X8/5X10	13010055		•	•																
1090 GROMMET/HOUSING	13016845		•	•																
1100 COVER NC95...210	65300990		•	•																
1101 FLAT HEAD SCREW M5X15	65300519		•	•																
1102 GASKET/COVER-LEAK 10X3	13009772		•	•																
1140 INSPECTION GLASS	13010008		•	•																
1145 CABLE GROMMET	13009648		•	•																
1170 AIR RECTIFIER 148/162 4BL.	13009748		•	•																
1180 PRESSURE TAP	13009738		•	•																
1190 FAN WHEEL D240X114 d24	13009736		•																	
FAN WHEEL D250X114 d24	13009737			•																
1200 AIR PRESSURE SWITCH BASE D32	13020723		•	•																
1210 AIR PRESSURE SWITCH 604 1-10MBAR	65300991		•	•																
1220 MOTOR 2.2KW230/400V D24+PLUG	13009739		•																	
MOTOR 2.5KW230/400V D24+PLUG	13009740			•																
1230 D4/6 TUBE	13014337		•	•																
<b>1500 ELECTRIC PART</b>																				
1510 IGNITION TRANSFORMER EBI 2X7.5 230V	13009663		•	•																
1520 FUSE HOLDER + FUSE 6.3A	13016457		•	•																
1525 FUSE 5X20 6.3A	13016028		•	•																
1530 OPERATING SWITCH ON/OFF	13010007		•	•																
1540 OPERATING SWITCH - OPERATION	13014009		•	•																
1550 DISPLAY / CTRL UNIT TCG-TCH R2.2 + CABLE	65301109		•	•																
1560 PLASTIC CONTROL BOARD	65300992		•	•																
1570 CABLE GROMMET D54/D47/D36	65300993		•	•																
1580 SHUTTER/CONSOLE	13009661		•	•																
1600 CABLE GAS P.SWITCH+P.DIN/RAST2PL2100REP8	65301019		•	•																
1604 CABLE GAS P.SWITCH+P.DIN/RAST2PL2100 TC	65301034	TC	•	•																
1610 CABLE GAS VALVE+PLUG DIN/RAST5P L2100	65301020		•	•																
1620 CABLE IGNIT.TRANSFO+PLUG 3P/RAST 3P L740	65300997		•	•																
1630 CABLE CELL IRD+PLUG3P/RAST3P L600	65301058		•	•																
1640 PHOTOCELL IRD 1020.1 WHITE AXIAL	65301035		•	•																
1650 PHOTOCELL HOLD.M93 FOR IRD1020.1	13010461		•	•																
1660 CABLE MOTOR+PLUG WIE. 4P 4X1,5 L560	65301000		•	•																
1670 IGNITION CABLE BERU D6,35/D4 L750X2 BODY	13009743		•	•																
1700 CONTROL UNIT TCG 511.01TC	65300881		•	•																
1800 CONTACTOR	13009778		•	•																
1810 THERMAL RELAY LR2K 5.5-8.0A	13009746		•	•																

CB-NC160-210-GX5A/TC

Gas burners

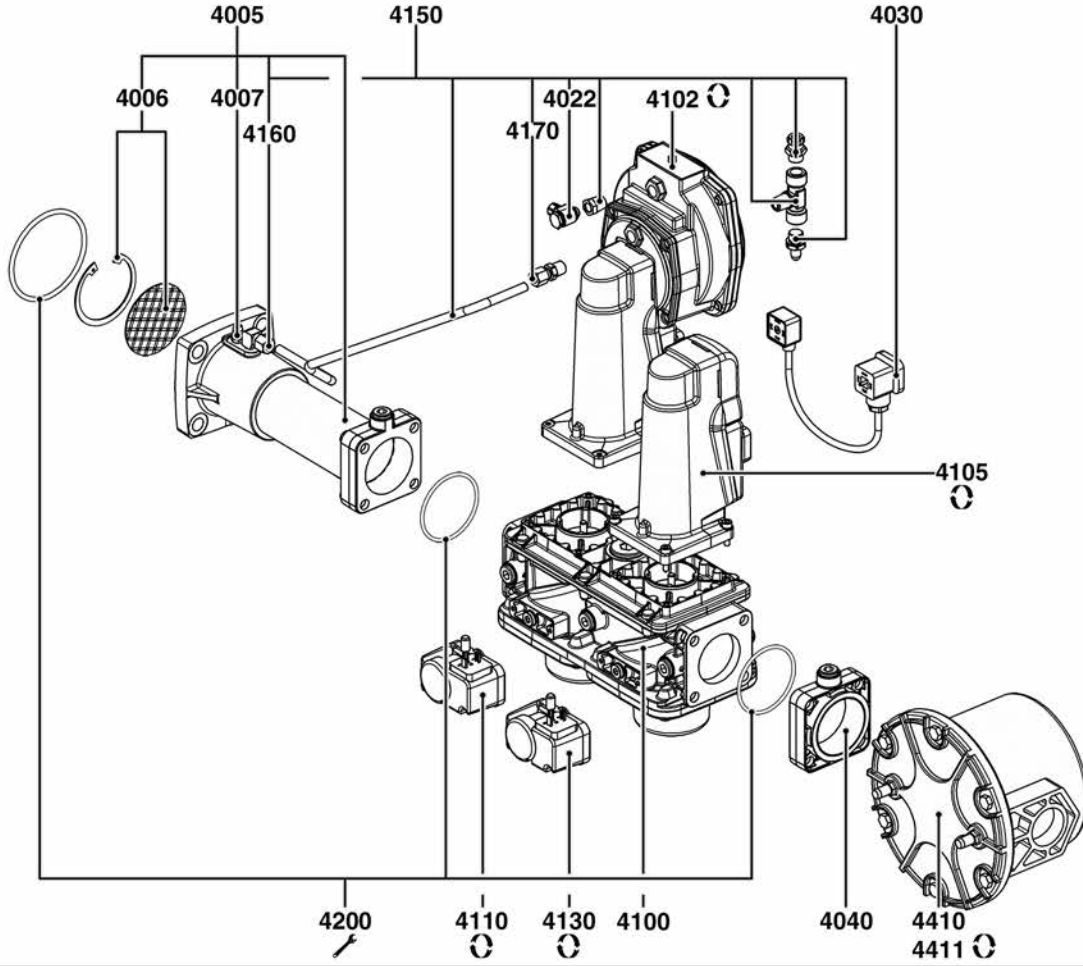




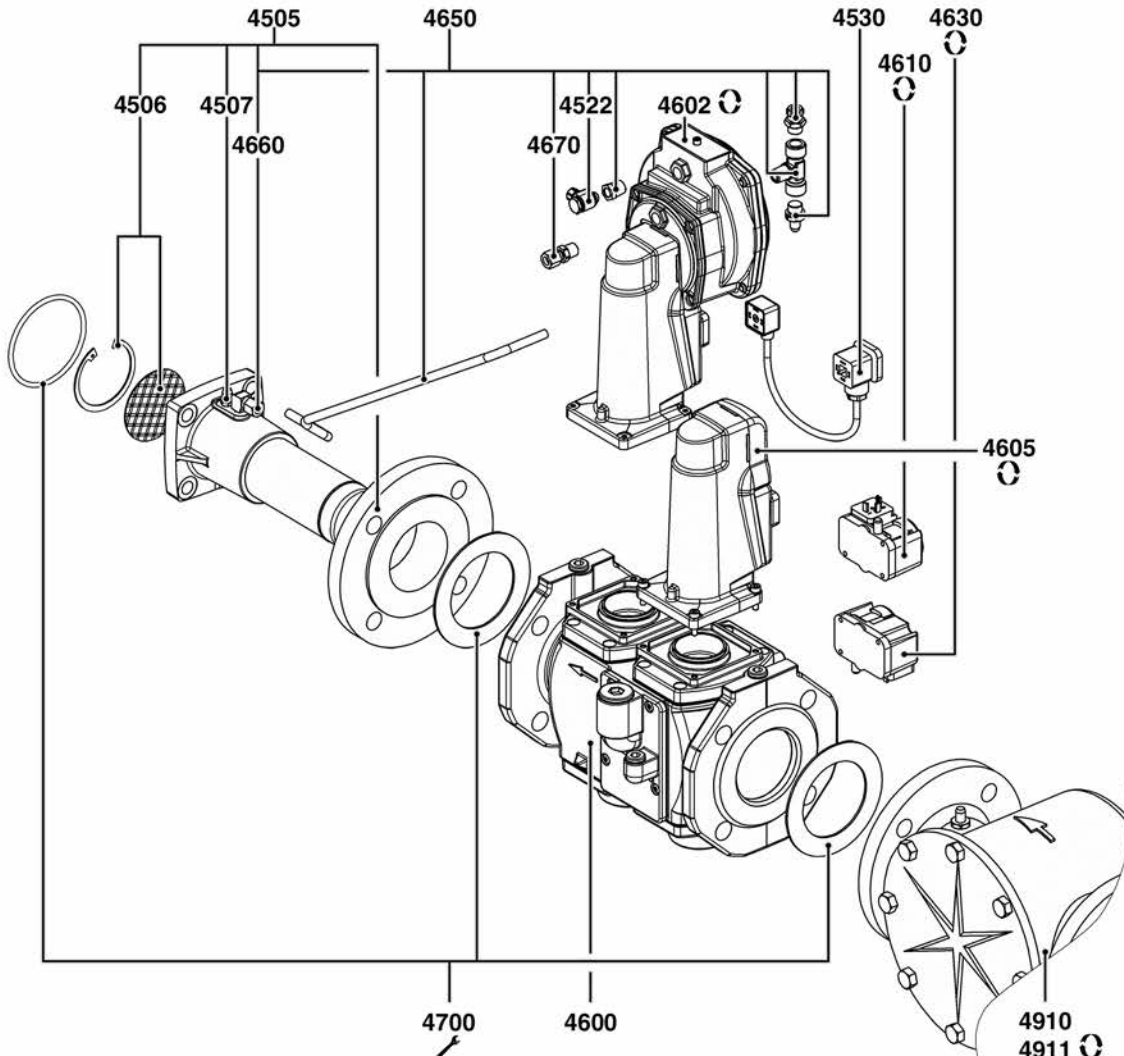


☉⇒	Description	Manf. Pt. N	Type	<div style="display: flex; justify-content: space-between;"> <span>BB-NC160-GX507/8A /TC</span> <span>BB-NC210-GX507/8A /TC</span> <span>CH-30731-T1/KN</span> <span>CH-30731-T2/AL</span> <span>GT-0534 - 1"1/4-RP2 /TC</span> <span>GT-3317 - 2" - RP2 /TC</span> <span>GT-3318 - 85-DN85 /TC</span> <span>GT-3315 - 80-DN80 /TC</span> </div>																		From	to
				1	2	3	4	5	6	7	8	9	10	11	12	13	14	15	16	17	18		
<b>3000</b>	<b>GAS TRAIN</b>																						
3005	COLLECTOR MOUNT RP 1"1/4	13014122									•												
	COLLECTOR MOUNT RP 2	13014128										•											
3006	STABILISER + CIRCLIP D.60	13011367									•	•											
3007	PRESSURE TAP R1/8	13009722									•	•											
3022	BANJO UNION LCK-G1/8-PK4	13020682									•	•											
3040	FLANGE MB410/412 RP1 1/4	13010085									•												
	FLANGE MB420 RP2 + PRES.PLUG	13007859										•											
3100	GAS VALVE MBVEF412 B01 S32 RP1"1/4	65301036									•												
	GAS VALVE MBVEF420 B01 S32 RP2"	65301037										•											
3110	GAS PRESS. SWITCH GW 150 A5 30-150MB DIN	13010078									•	•											
3120	COIL DUN MBVEF412S12	65300707									•												
	COIL DUN MBVEF420S12	65300708										•											
3130	GAS PRESS.SWITCH GW 50 A5 5-50MB	65323019									•	•											
3140	FILTERING ELEMENT /MB...410/412	13016012									•												
	FILTERING ELEMENT /MB...420	13007901										•											
3150	GAS PRESSURE TUBE MBVEF412+UNION	65300649									•												
	GAS PRESSURE TUBE MBVEF420+UNION	65300669										•											
3160	ANGLED UNION	13023188									•	•											
3170	UNION G1/8 + GASKET	13023187									•	•											
3200	GASKET SET MB...412	65300576									•												
	GASKET SET MB...420	65300671										•											
3410	EXTERNAL GAS FILTER RP2	13009700									•	•											
3411	FILT. ELEMENT RP2 + GASKET	13010044									•	•											

4000



4500





BB-NC160-GX507/8A /TC  
 BB-NC210-GX507/8A /TC  
 CH-30731-T1/KN  
 CH-30731-T2/AL  
 GT-0334 - 1"1/4-RP2 /TC  
 GT-0335 - 1"1/2-RP2 /TC  
 GT-3317 - 2" - RP2 /TC  
 GT-3318 - 85-DN65 /TC  
 GT-3315 - 80-DN80 /TC

Description	Manf. Pt. N	Type																		
			1	2	3	4	5	6	7	8	9	10	11	12	13	14	15	16	17	18
<b>4000 GAS TRAIN</b>																				
4005 COMPLETE GAS SUPPLY TUBE RP2	65301024										●									
4006 STABILISER + CIRCLIP D.60	13011367										●									
4007 PRESSURE TAP R1/8	13009722										●									
4022 BANJO UNION LCK-G1/8-PK4	13020682										●									
4030 CABLE CONNECT AGA 62 PLUG DIN L270	13020958										●									
4040 FLANGE AGA51 RP2	65300871										●									
4100 GAS VALVE VGD20 5011 RP2"	65311581										●									
4102 GAS SERVOM. SKP75.003E2 W/O LIMIT SW.	13020950										●									
4105 GAS SERVOM. SKP15.000E2 W/O LIMIT SW.	13020951										●									
4110 GAS PRESS. SWITCH GW 150 A5 30-150MB DIN	13010078										●									
4130 GAS PRESS. SWITCH GW 50 A5 5-50MB	65323019										●									
4150 GAS PR. TUBE VGD20 RP2 NC95/210-VG5/6	65301075										●									
4160 ANGLED UNION	13023188										●									
4170 STRAIGHT UNION	13009721										●									
4200 GASKET KIT VGG,VGF10/VGD20 RP2	13011733										●									
4410 EXTERNAL GAS FILTER RP2	13009700										●									
4411 FILT. ELEMENT RP2 + GASKET	13010044										●									
<b>4500 GAS TRAIN</b>																				
4505 COMPLETE GAS SUPPLY TUBE DN65	65301022										●									
COMPLETE GAS SUPPLY TUBE DN80	65301023											●								
4506 STABILISER + CIRCLIP D.60	13011367										●	●								
4507 PRESSURE TAP R1/8	13009722										●	●								
4522 BANJO UNION LCK-G1/8-PK4	13020682										●	●								
4530 CABLE CONNECT AGA 62 PLUG DIN L270	13020958										●	●								
4600 GAS VALVE VGD40 065 DN65	65323661										●									
GAS VALVE VGD40 080 DN80	65311583											●								
4602 GAS SERVOM. SKP75.003E2 W/O LIMIT SW.	13020950										●	●								
4605 GAS SERVOM. SKP15.000E2 W/O LIMIT SW.	13020951										●	●								
4610 GAS PRESS. SWITCH GW 150 A5 30-150MB DIN	13010078										●	●								
4630 GAS PRESS. SWITCH GW 50 A5 5-50MB	65323019										●	●								
4650 GAS PR.TUB.EQ. VGD40 DN65 NC95/210-VG5/6	65301025										●									
GAS PR.TUBE EQ.VGD40 DN80 NC210-VG6	65301026											●								
4660 ANGLED UNION	13023188										●	●								
4670 STRAIGHT UNION	13009721										●	●								
4700 GASKET KIT VGD40 DN65	13013781										●									
GASKET KIT VGD40 DN80	13013782											●								
4910 EXTERNAL GAS FILTER DN65	13009703										●									
GAS FILTER DN80	13013787											●								
4911 GAS FILTERING ELEMENT DN65 WITH GASKET	13009704										●									
GAS FILTERING ELEMENT DN80 WITH GASKET	13013788											●								

31

From to




CB-NC160-210-GX5A/TC  
  
 Gas burners

## ADDRESSES

[www.casned.com](http://www.casned.com)



## MESSAGGI DI ERRORE E FREQUENZE

-  = **Motore gas / Pressione / Velocità / Flusso**  
= **Pressione minima / Massimo / Qualità del gas**
-  = **Velocità / Pressione / Potenza**  
= **Pressione gas / Velocità / Spingimento**
-  = **Nonnetto, mancato, o solo / Velocità, velocità / Flusso**  
= **Atmosfera, gas, potenza, solo / Velocità, velocità, Flusso, potenza**  
= **Velocità, velocità, Flusso, potenza / Velocità, velocità, Flusso, potenza**

## MESSAGGI DI ERRORE E FREQUENZE

### 77777777777777777777

**77777777777777777777** / **16A**  
 Op. → **Forlaufende** → **000001 / 16A** → **Flussgeschwindigkeit / Druck**  
 Geräte- → **000001 / 16A** → **Flussgeschwindigkeit / Druck**  
 Nummer → **000001 / 16A** → **Flussgeschwindigkeit / Druck**  
 LL → 22004 L It 20204  
 MM → 22005 M M 20205  
 etc... etc...

**88888888888888888888** / **11C99**  
 Op. → **Forlaufende** → **000001 / 11C99** → **Flussgeschwindigkeit / Druck**  
 Geräte- → **000001 / 11C99** → **Flussgeschwindigkeit / Druck**  
 Nummer → **000001 / 11C99** → **Flussgeschwindigkeit / Druck**  
 LL → 22004 L It 20204  
 MM → 22005 M M 20205  
 etc... etc...

**11111111111111111111** / **2200711320FC07**  
 Area → **Forlaufende** → **2200711320FC07** → **Flussgeschwindigkeit / Druck**  
 Code → **2200711320FC07** → **Flussgeschwindigkeit / Druck**  
 Nummer → **2200711320FC07** → **Flussgeschwindigkeit / Druck**  
 SS → 22009  
 TT → 22010  
 UU → 22011  
 VV → 22012  
 XX → 22013  
 YY → 22014  
 ZZ → 22015