



SPARE PARTS EXPLODED VIEW GAS BURNERS

Model

CB-NC12-16-21-GX9A/TC (/LCM)

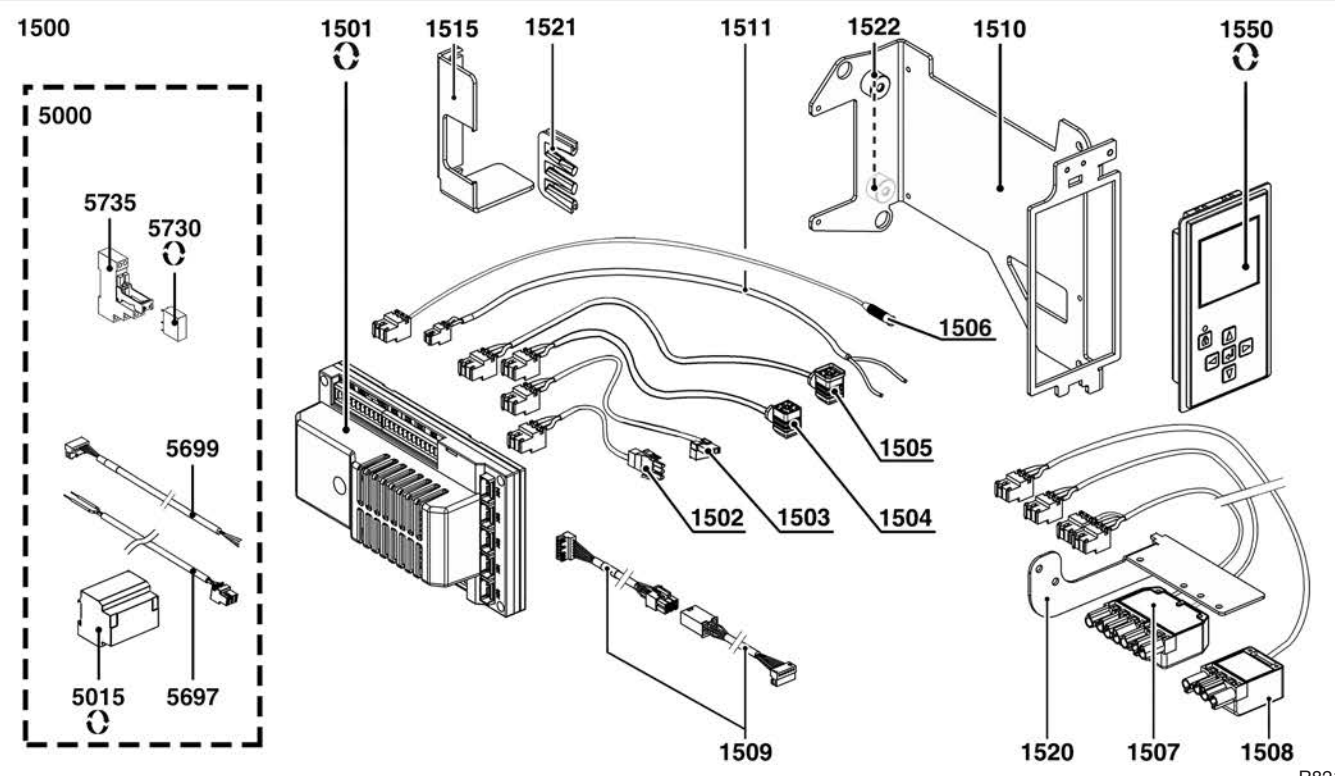
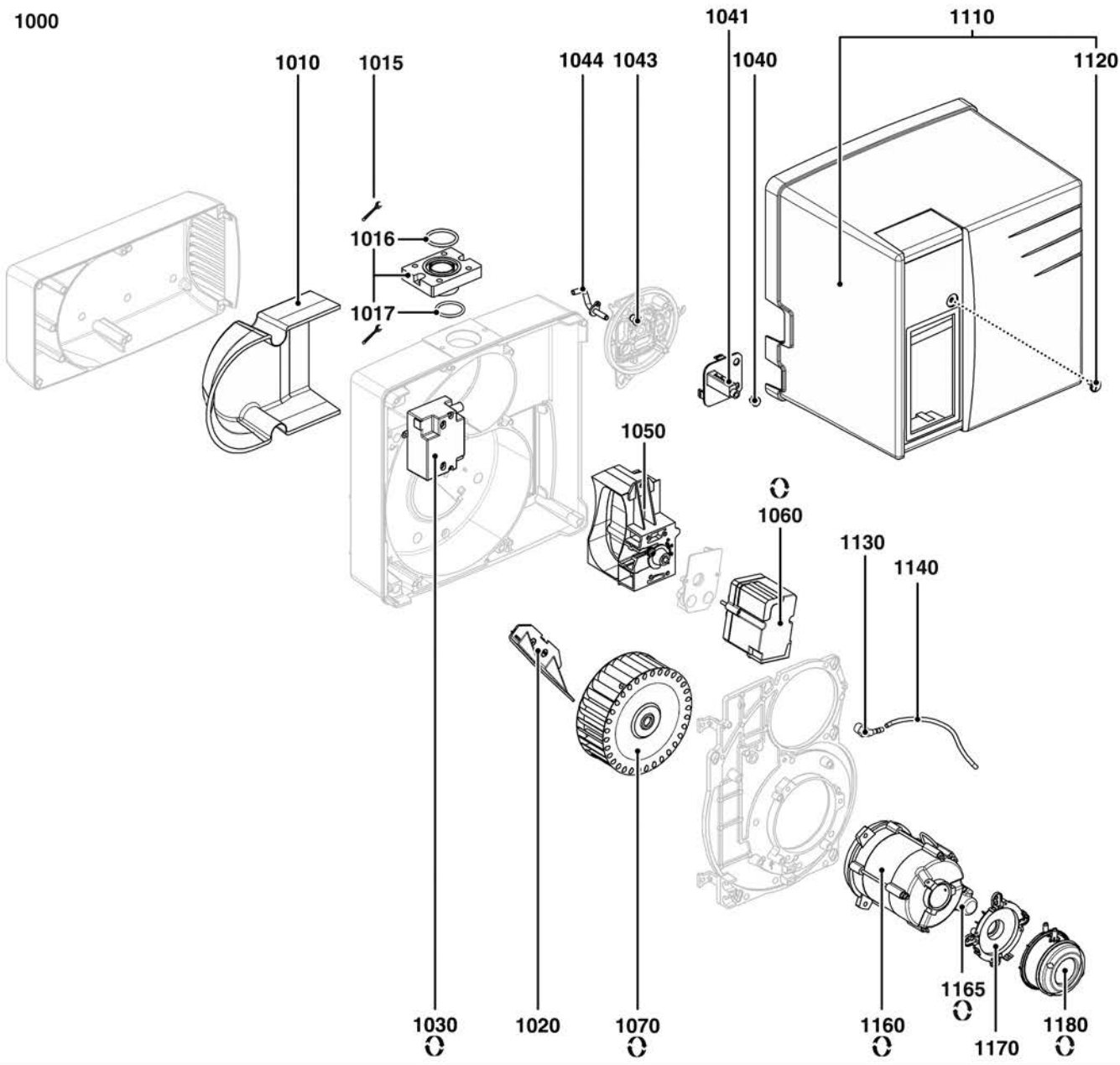
R8220092-02 - 25/04/2018

CB-NC12-16-21-GX9A/TC (/LCM)

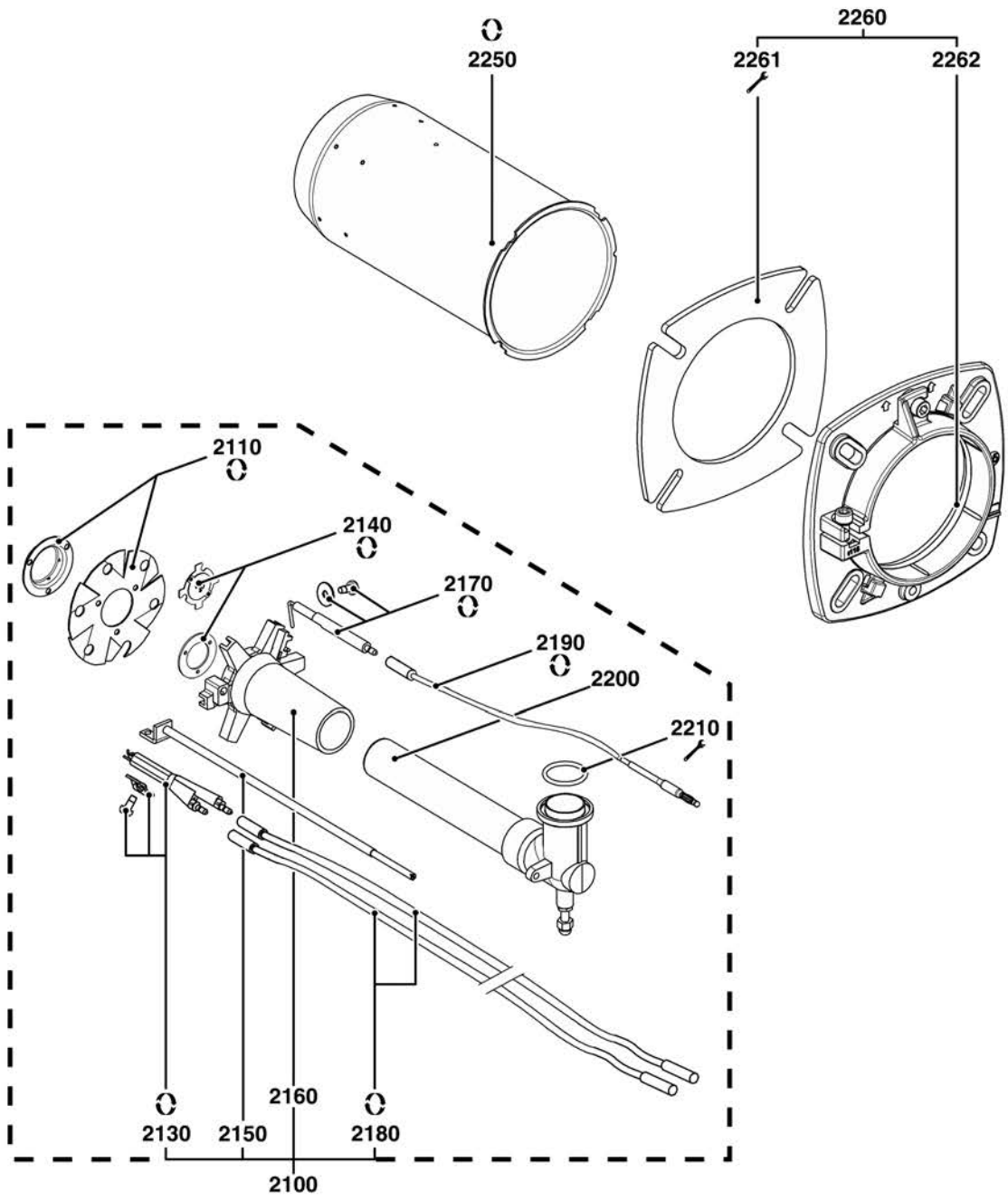
Gas burners

1	3833514	BB-NC12 GX907/8A T1	07-2013	-
2	3833517	BB-NC12 GX907/8A T2	01-2014	-
3	3834650	CB-NC12 GX907/8A T2 LCM	07-2014	-
4	3833515	BB-NC16 GX907/8A T1	05-2017	-
5	3833518	BB-NC16 GX907/8A T2	05-2017	-
6	3833516	BB-NC21 GX907/8A T1	02-2012	-
7	3835969	BB-NC21 GX907/8A T1 LCM	05-2017	-
8	3833519	BB-NC21 GX907/8A T2	10-2015	-
9	3833507	GT -D411- 3/4IN - RP3/4IN	01-2013	-

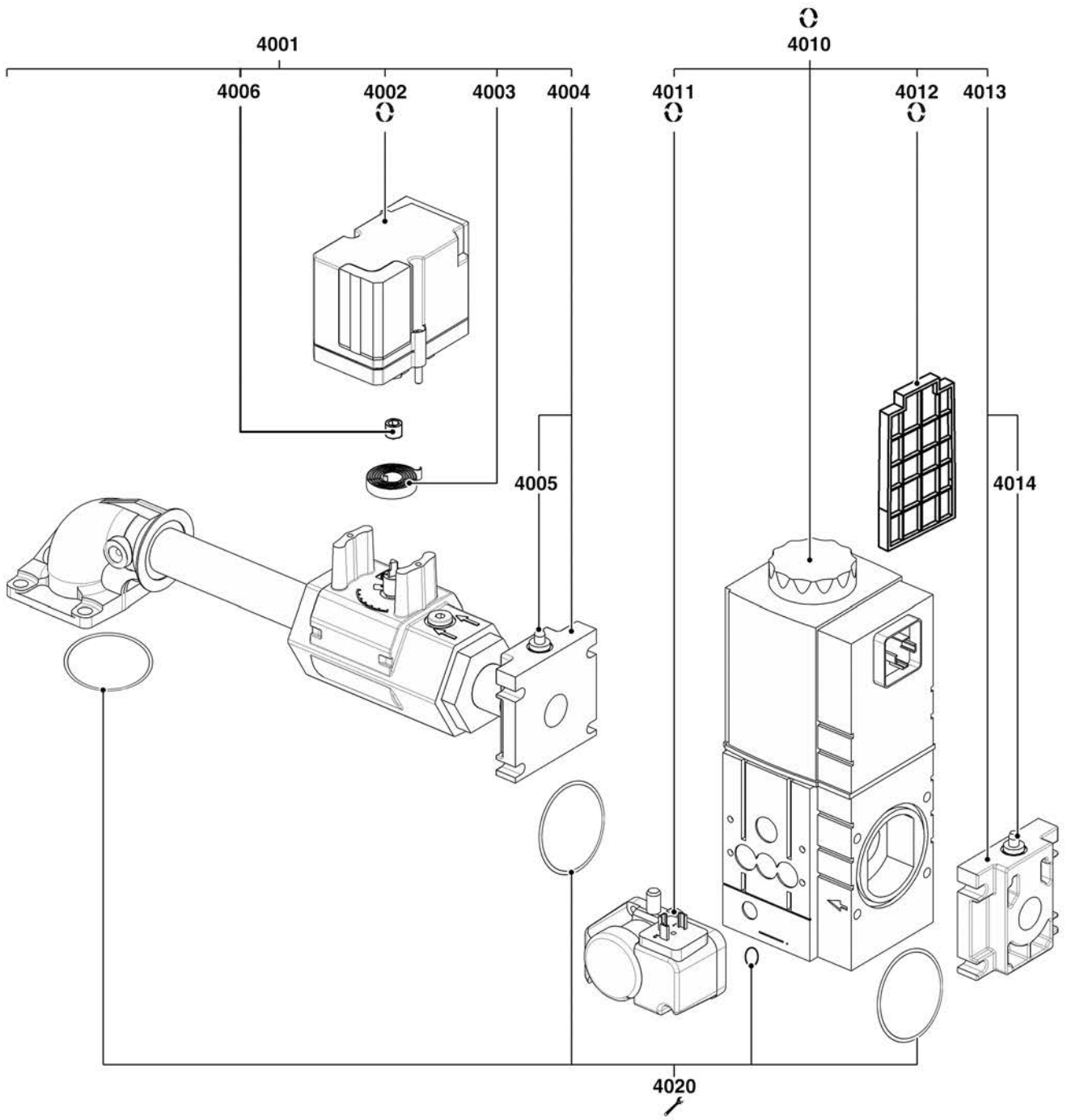
Col	Reference	Model type	Begin	End
-----	-----------	------------	-------	-----




☉⇒	Description	Manf. Pt. N	Type	<div style="display: flex; justify-content: space-between; font-size: small;"> BB-NC12 GX907/8A T1 BB-NC12 GX907/8A T2 CB-NC12 GX907/8A T2 LCM BB-NC16 GX907/8A T1 BB-NC16 GX907/8A T2 BB-NC21 GX907/8A T1 BB-NC21 GX907/8A T2 GT-DM11-3/4" RP3/8" TTC </div>																		From	to
				1	2	3	4	5	6	7	8	9	10	11	12	13	14	15	16	17	18		
1000	BURNER BODY																						
1010	INSULATION AIR INTAKE BOX	13017369		•	•	•	•	•	•	•	•	•	•	•	•	•	•	•	•				
1015	FLANGE 82X62X30 D27 GAS TUBE + O-RING	13022109		•	•	•	•	•	•	•	•	•	•	•	•	•	•	•	•				
1016	O-RING 4137 D34,52X3,53 NBR	13022908		•	•	•	•	•	•	•	•	•	•	•	•	•	•	•	•				
1017	O-RING D30X3	13018089		•	•	•	•	•	•	•	•	•	•	•	•	•	•	•	•				
1020	AIR RECYCLING 109/102X60 78° (WHITE)	13017363		•	•	•																	
	AIR RECYCLING 119/114X60 78° (BLACK)	13017364					•	•	•	•	•	•	•	•	•	•	•	•	•				
1030	IGNITION TRANSFO. EBI 2X7,5 230V	13009663		•	•	•	•	•	•	•	•	•	•	•	•	•	•	•	•				
1040	CABLE GROMMET BLACK D2,3/9	13010058		•	•	•	•	•	•	•	•	•	•	•	•	•	•	•	•				
1041	GAS DASHBOARD PLATE 60X60 GRADUATED L52	13021960		•	•	•	•	•	•	•	•	•	•	•	•	•	•	•	•				
1043	CABLE GROMMET D5/9 (2 pieces)	13007808		•	•	•	•	•	•	•	•	•	•	•	•	•	•	•	•				
1044	TUBE D.6+ AIR MEASURE FLANGE	13021961		•	•	•	•	•	•	•	•	•	•	•	•	•	•	•	•				
1050	AIR FLAP	13018138		•	•	•	•	•	•	•	•	•	•	•	•	•	•	•	•				
1060	ACTUATOR STE 4,5 B0.37/6-R + CABLE L600	65300527		•	•	•	•	•	•	•	•	•	•	•	•	•	•	•	•				
1070	FAN WHEEL D146 X52 D12,7	13010012		•	•	•																	
	FAN WHEEL D160X52 D12,7	13010095					•	•	•	•	•	•	•	•	•	•	•	•	•				
1110	COVER NC12...21A-FC12/16A + SCREW	65300769		•	•	•	•	•	•	•	•	•	•	•	•	•	•	•	•				
1120	FLAT HEAD SCREW M5X15	65300519		•	•	•	•	•	•	•	•	•	•	•	•	•	•	•	•				
1130	UNION ELBOW POLYAMID R1/8-D4	13013352		•	•	•	•	•	•	•	•	•	•	•	•	•	•	•	•				
1140	HOSE D4/7 L500 SILICONE	13015497		•	•	•	•	•	•	•	•	•	•	•	•	•	•	•	•				
1160	MOTOR 0,13KW230V D12,7	13010014									•	•	•										
	MOTOR 0,1KW 230V D12,7 DRILLED	65327089		•	•		•	•															
	MOTOR 0,1KW230V D12,7 VITON SEAL BEARING	65326935				•																	
1165	CAPACITOR 5µF 2P 3mm	65325038	ACC	•	•		•	•															
	CAPACITOR 5µF 2P 3mm	65325038	SIMEL 100W	•	•	•	•	•															
	CAPACITOR 6,3µF 2P 3mm	13010016	ACC						•	•	•												
	CAPACITOR 6,3µF 2P 3mm	13010016	SIMEL 160W	•	•	•	•	•															
	CAPACITOR 8µF 2P 3mm	65300577	SIMEL						•	•	•												
1170	AIR PRESSURE SWITCH BASE D32	13020723		•	•	•	•	•	•	•	•	•	•	•	•	•	•	•	•				
1180	AIR PRESS.SWITCH 604.91 0,5-5MB+RAST	13020502		•	•	•	•	•	•	•	•	•	•	•	•	•	•	•	•				
1500	ELECTRIC PART																						
1501	CONTROL UNIT LCG 911 BT320	65300964		•	•	•	•	•	•	•	•	•	•	•	•	•	•	•	•				
	CONTROL UNIT LCG 911.03 BT320	65327393																					
1502	CABLE MOTOR+PLUG 3P/RAST3P L290 BT3xx	65300965		•	•	•	•	•	•	•	•	•	•	•	•	•	•	•	•				
1503	CABLE IG.TRANSFO+PLUG3P/RAST3P L250BT3xx	65300966		•	•	•	•	•	•	•	•	•	•	•	•	•	•	•	•				
1504	CABLE GAS VALVE+PLUG DIN/2XRAST3P L2000	65300967		•	•	•	•	•	•	•	•	•	•	•	•	•	•	•	•				
1505	CABLE GAS P.SWITCH+P.DIN/RAST3P L1500BT3	65300968		•	•	•	•	•	•	•	•	•	•	•	•	•	•	•	•				
1506	IONISATION CABLE RAST4P/D4 F L350 BT3xx	65300970		•	•	•	•	•	•	•	•	•	•	•	•	•	•	•	•				
1507	CABLE+PLUG WIELAND 7P/3XRAST3P L370	65300971		•	•	•	•	•	•	•	•	•	•	•	•	•	•	•	•				
1508	CABLE+PLUG WIELAND 4P/RAST 3P L350	65300972		•	•	•	•	•	•	•	•	•	•	•	•	•	•	•	•				
1509	CABLE ACTUATOR STE+RAST6P/6P L1400	65301111		•	•	•	•	•	•	•	•	•	•	•	•	•	•	•	•				
1510	CONTROL UNIT BRACKET+DISPLAY	65300727		•	•	•	•	•	•	•	•	•	•	•	•	•	•	•	•				
1511	CABLE AIR PRES.SWITCH+RAST2P/2X0,75 L430	65300048		•	•	•	•	•	•	•	•	•	•	•	•	•	•	•	•				
1515	GROMMET SUPPORT	65300974		•	•	•	•	•	•	•	•	•	•	•	•	•	•	•	•				
1520	WIELAND 7/4-PIN CONNECTOR SUPPORT	65300973		•	•	•	•	•	•	•	•	•	•	•	•	•	•	•	•				
1521	GROMMET/HOUSING	13016845		•	•	•	•	•	•	•	•	•	•	•	•	•	•	•	•				
1522	BT3XX SUPPORT	65300969		•	•	•	•	•	•	•	•	•	•	•	•	•	•	•	•				
1550	DISPLAY FOR CONTROL UNIT BT3XX	65326869		•	•	•	•	•	•	•	•	•	•	•	•	•	•	•	•				
5000	ACCESSORY																						
5015	LCM100 MODULE (LSB-M 667R0500-1)	65311790					•																
5697	POWER SUPPLY CABLE BT300/ LCM100 OR F152	65326222					•																
5699	CABLE CONNECT. BT300/LCM100 667P0515	65312244					•																
5730	RELAY + CLIP	13017721					•																
5735	FIN RELAY SUPPORT 95.05	13017720					•																



Description	Manf. Pt. N	Type	<div style="display: flex; justify-content: space-between; font-size: 8px;"> BB-NC12 GX907/8A T1 BB-NC12 GX907/8A T2 CB-NC12 GX907/8A T2 LCM BB-NC16 GX907/8A T1 BB-NC16 GX907/8A T2 BB-NC21 GX907/8A T1 BB-NC21 GX907/8A T2 GT-D4/11-3/4" - RP3/4" TTC </div>																		From	to
			1	2	3	4	5	6	7	8	9	10	11	12	13	14	15	16	17	18		
2000 COMBUSTION HEAD																						
2100 COMB.HEAD GAS L257 D74,5 CPL.BLOCK-ELECT	65300762		●																			
COMB.HEAD GAS L288 D89/93 BLOCK-ELECT.	65300764			●																		
COMB.HEAD GAS L377 D74,5 BLOCK-ELECT.	65300763			●																		
COMB.HEAD GAS L407 D89/93 BLOCK-ELECT.	65300765						●															
2110 BAFFLE PLATE D74,5/24,5 8SL R +DIFF. D50	13019123		●	●																		
BAFFLE PLATE D87 6SL R 8DRIL.	65300320				●																	
BAFFLE PLATE D91/30 6SL + NOZZLE D47	13015802					●	●	●	●	●												
2130 ELECTRODE BLOCK 12X46 D4 D1,2X10	65300738		●	●	●	●	●	●	●	●												
2140 PROPANE DIFFUSER	13018630					●	●	●	●	●												
SHUTTER D40 3 DRILL.D4,2 ON D30 LPG	13012402				●																	
SHUTTER D57 LPG	13019125		●	●																		
2150 ADJUST ROD D6 L257 M6/D5	13022192		●																			
ADJUST ROD D6 L288 M6/D4,8	13018033					●				●												
ADJUST ROD D6 L377 M6/D5	13022193			●																		
ADJUST ROD D6 L393 M6/D5	65301136				●																	
ADJUST ROD D6 L407 M6/D4,8	13018034							●							●							
2160 GAS HEAD L102 D93/30 6 BRANCH.	13010023					●	●	●	●	●	●											
GAS HEAD L67 D72/22 +O-RING 4 BRANCH.	13010532		●	●																		
GAS HEAD L70 D84/22 +O-RING 6 BRANCH.	65300321				●																	
2170 IONISATION PROBE D8X80 D4 D2X27 80° F+S	13010529		●	●	●	●	●	●	●	●												
2180 IGNITION CABLE D4/D4 L365 AP (X1)	13013524		●			●			●	●												
IGNITION CABLE D4/D4 L510 AP (X1)	13014990			●	●				●													
2190 IONISATION CABLE D4 BAN/D4 L350	13013525		●			●			●	●												
IONISATION CABLE MC4/D4 L650	13015121			●	●				●													
2200 GAS INLET TUBE+ELBOW D22X215 T1/KN	13018027		●																			
GAS INLET TUBE+ELBOW D22X335 T2/KL	13018028			●	●																	
GAS INLET TUBE+ELBOW D30X211 T1/KN	13021643					●			●	●												
GAS INLET TUBE+ELBOW D30X331 T2/KL	13020258							●							●							
2210 O-RING D30X3	13018089		●	●	●	●	●	●	●	●												
2250 FLAME TUBE D115/78/75 L230	13020498		●			●			●	●												
FLAME TUBE D115/78/75 L350	13020499			●					●													
FLAME TUBE D115/88 L350	65301138				●																	
2260 BOILER ACCESSORY D115 EUROFLANGE	13018134		●	●	●	●	●	●	●	●												
2261 GASKET/BURNER FLANGE 176X176X8 D115	13018135		●	●	●	●	●	●	●	●												
2262 GASKET/BRAID D115X5X5-377	13020517		●	●	●	●	●	●	●	●												



☉⇒	Description	Manf. Pt. N	Type	BB-NC12 GX907/8A T1 BB-NC12 GX907/8A T2 CB-NC12 GX907/8A T2 LCM BB-NC16 GX907/8A T1 BB-NC16 GX907/8A T2 BB-NC21 GX907/8A T1 BB-NC21 GX907/8A T2 GT-D411-3/4" RP3/4" TTC																		 31	
				1	2	3	4	5	6	7	8	9	10	11	12	13	14	15	16	17	18	From	to
4000	GAS TRAIN																						
4001	COMPL.GAS COLLECTOR VG2M/NC12-21 BT3XX	65327258																					
4002	ACTUATOR STE 4,5 B0.37/6-R + CABLE L600	65300527				●																	
4003	SPRING 1.2NM	13009688				●																	
4004	FLANGE MBC300 RP3/4	13022709				●																	
4005	PRESSURE TAP R1/8	13009722																					
4006	RING D12,8/11,4X10/ACTUATOR	13014901				●																	
4010	GAS VALVE MBC300 SE S22	13021869				●																	
4011	GAS PRESS.SWITCH GW 150 A5 5-150MB	13010078				●																	
4012	STRAINER MBC 300	13022415				●																	
4013	FLANGE MBC300 RP3/4	13022709				●																	
4014	PRESSURE TAP R1/8	13009722																					
4020	O-RING KIT D34,5X3,5+D74X30+D11X2/MBC300	13022710				●																	

CB-NC12-16-21-GX9A/TC (/LCM)

Gas burners

ADDRESSES

www.bosch.com



VARIANTI E PREZZI RINZIANTIZZATE

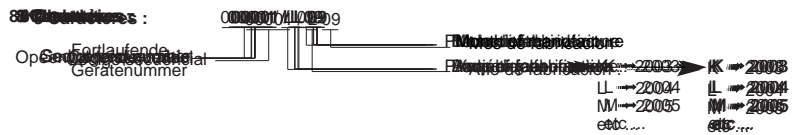
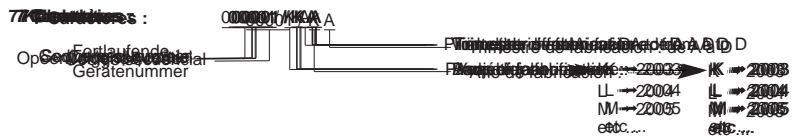
- 🔧 **Modelli a gas per il riscaldamento / Modelli a gas per il riscaldamento /**
Modelli a gas per il riscaldamento / Modelli a gas per il riscaldamento

- 🌀 **Modelli a gas per il riscaldamento / Modelli a gas per il riscaldamento**
Modelli a gas per il riscaldamento / Modelli a gas per il riscaldamento

- ⚙️ **Modelli a gas per il riscaldamento / Modelli a gas per il riscaldamento /**
Modelli a gas per il riscaldamento / Modelli a gas per il riscaldamento /
Modelli a gas per il riscaldamento / Modelli a gas per il riscaldamento /
Modelli a gas per il riscaldamento / Modelli a gas per il riscaldamento

HEBETUNGSKODIERUNG

SERIE 77



Questo documento è riservato ai clienti e non deve essere distribuito pubblicamente. Per informazioni sui prezzi e sui costi di gestione, si prega di rivolgersi al proprio rivenditore autorizzato. I prezzi e i costi di gestione sono indicativi e possono variare senza preavviso. I prezzi e i costi di gestione sono in Euro (€) e comprendono l'IVA. Per ulteriori informazioni, si prega di consultare il sito web www.bosch.com.