

# SPARE PARTS EXPLODED VIEW DUAL-FUEL BURNERS

Model

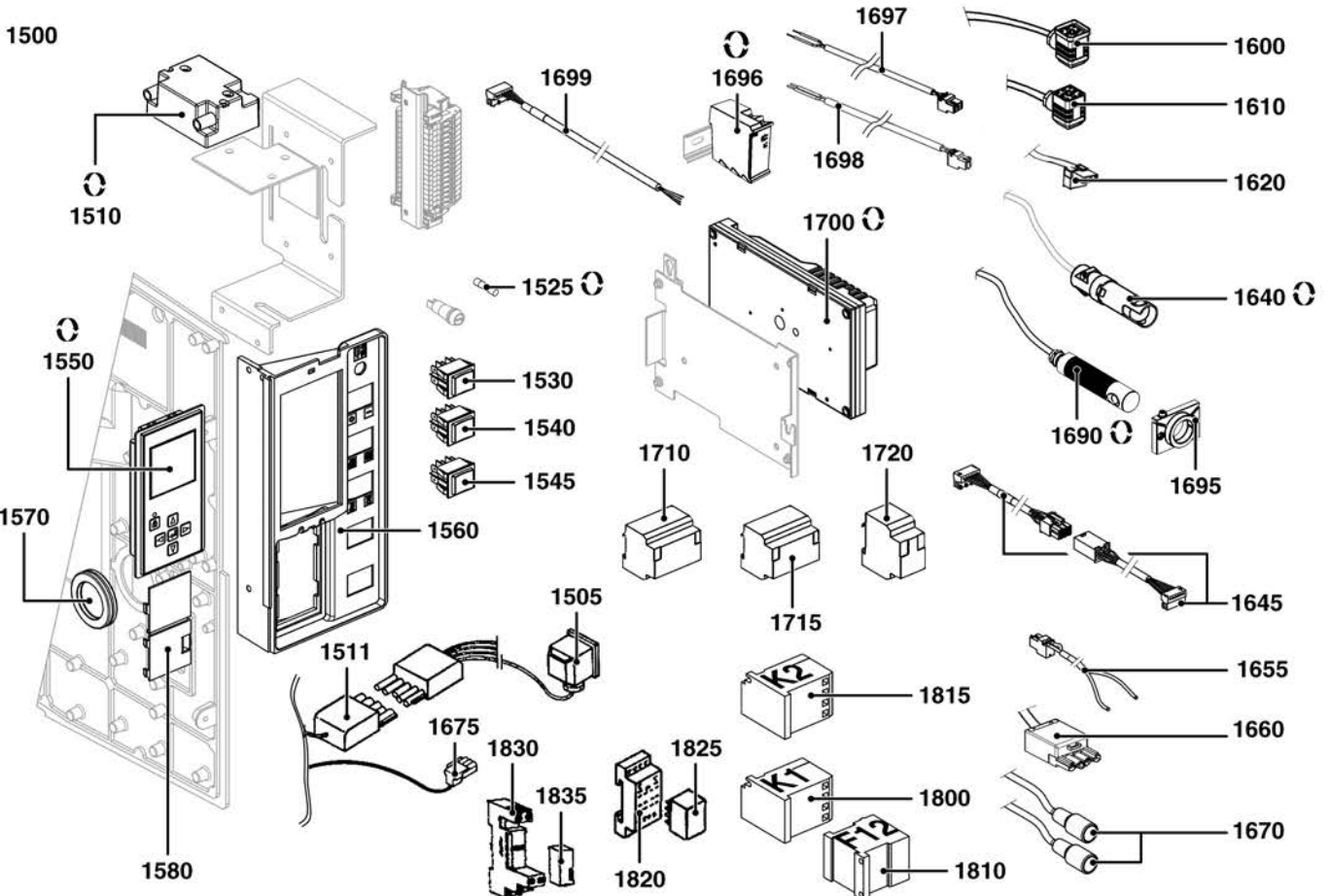
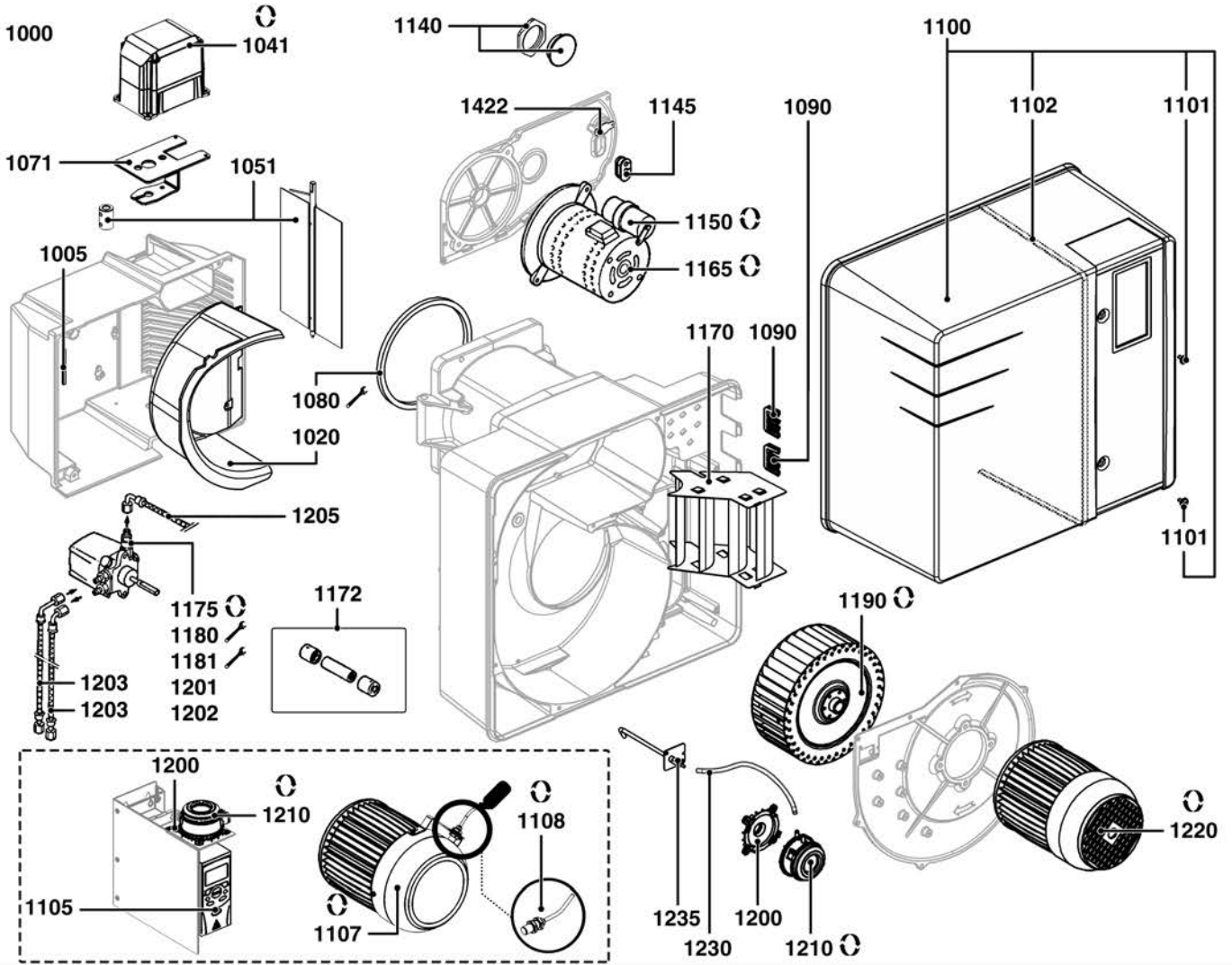
## CB-NC160, NC210 BX9(10)17/8 /TC

R8220339-03 - 23/11/2021

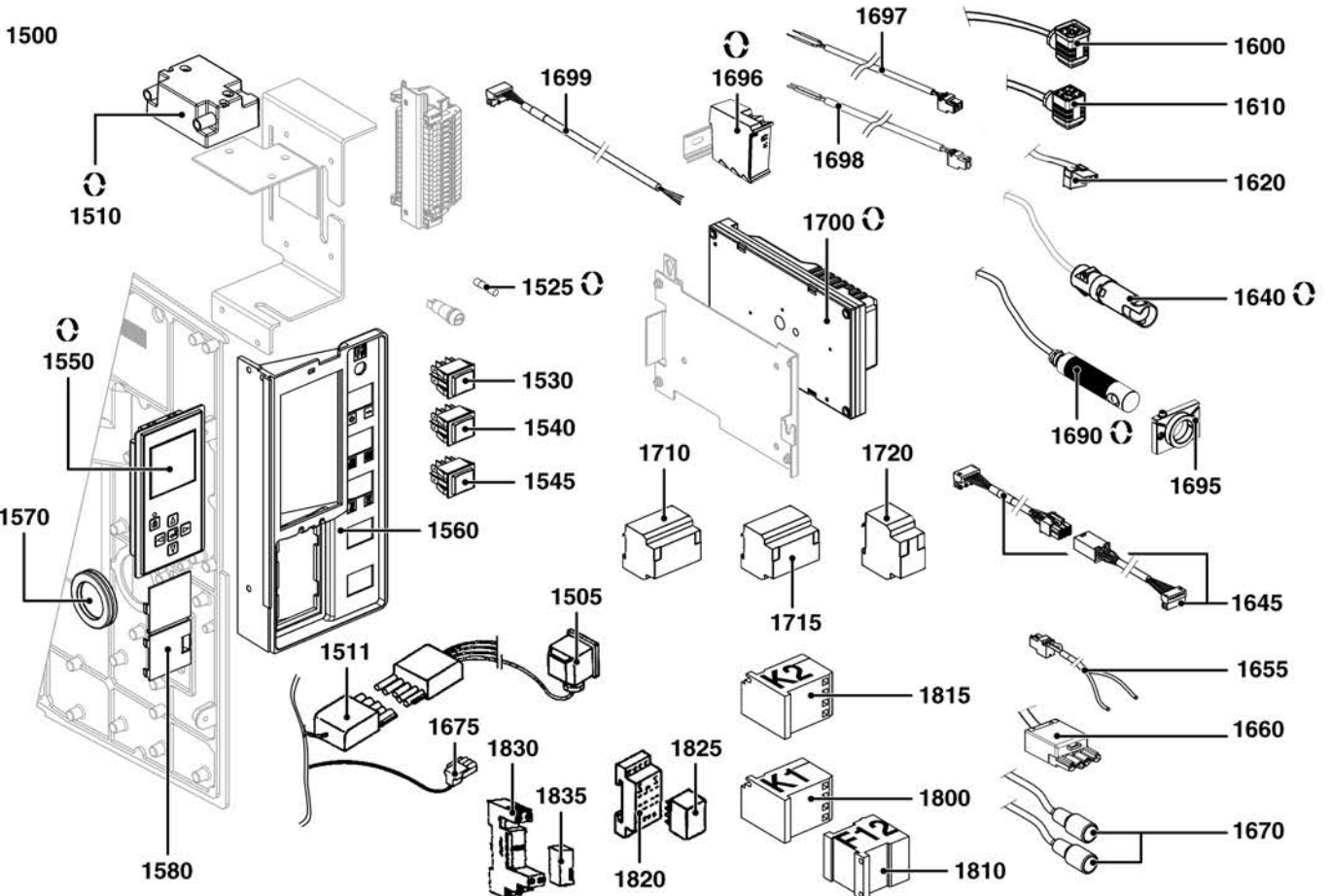
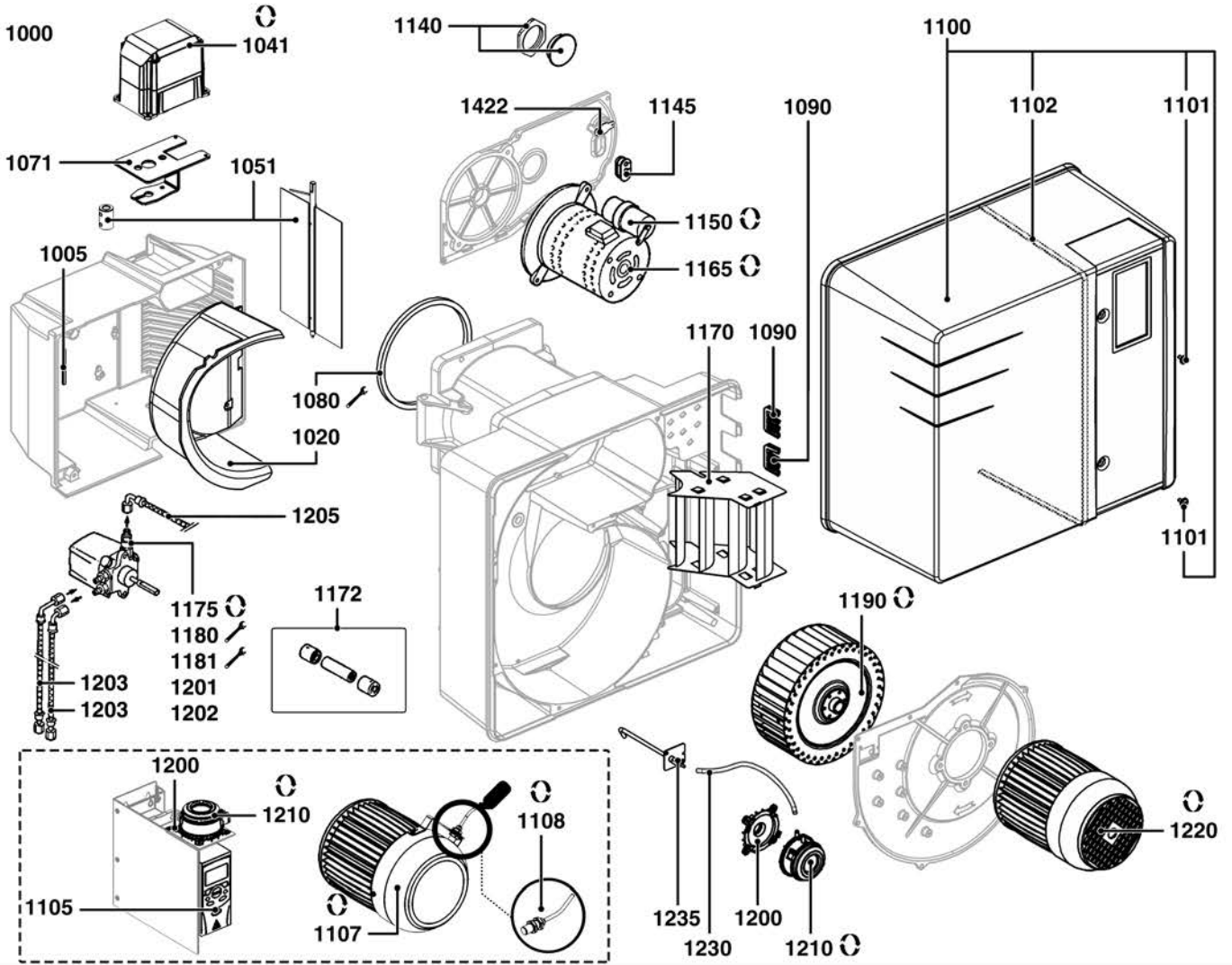
1	3836830	BB-NC 160 BX 917/8/TC	03-2019	-
2	3836834	BB-NC 160 BX 1017/8/TC	03-2019	-
3	3836831	BB-NC 210 BX 917/8/TC	03-2019	-
4	3836835	BB-NC 210 BX 1017/8/TC	03-2019	-
5	13005917	CH-D731-T1/KN	10-2000	-
6	13005918	CH-D731 - T2/KL	10-2000	-
7	13005919	CH-D731-T3/KM	10-2000	-
8	13005929	CH-D732-T1/KN	07-2000	-
9	13005930	CH-D732-T2/KL	07-2000	-
10	13005931	CH-D732-T3/KM	11-2003	-
11	3837118	GT - D423 - 2"-RP 2" /TC	07-2021	-
12	3834659	GT-D420-1"1/2-RP2"/TC	02-2015	-
13	3834660	GT-D421-2"-RP2"/TC	02-2015	-
14	3834661	GT-D422-65-DN65 /TC	02-2015	-
15	3834662	GT-S42-65-DN65/TC	02-2015	-

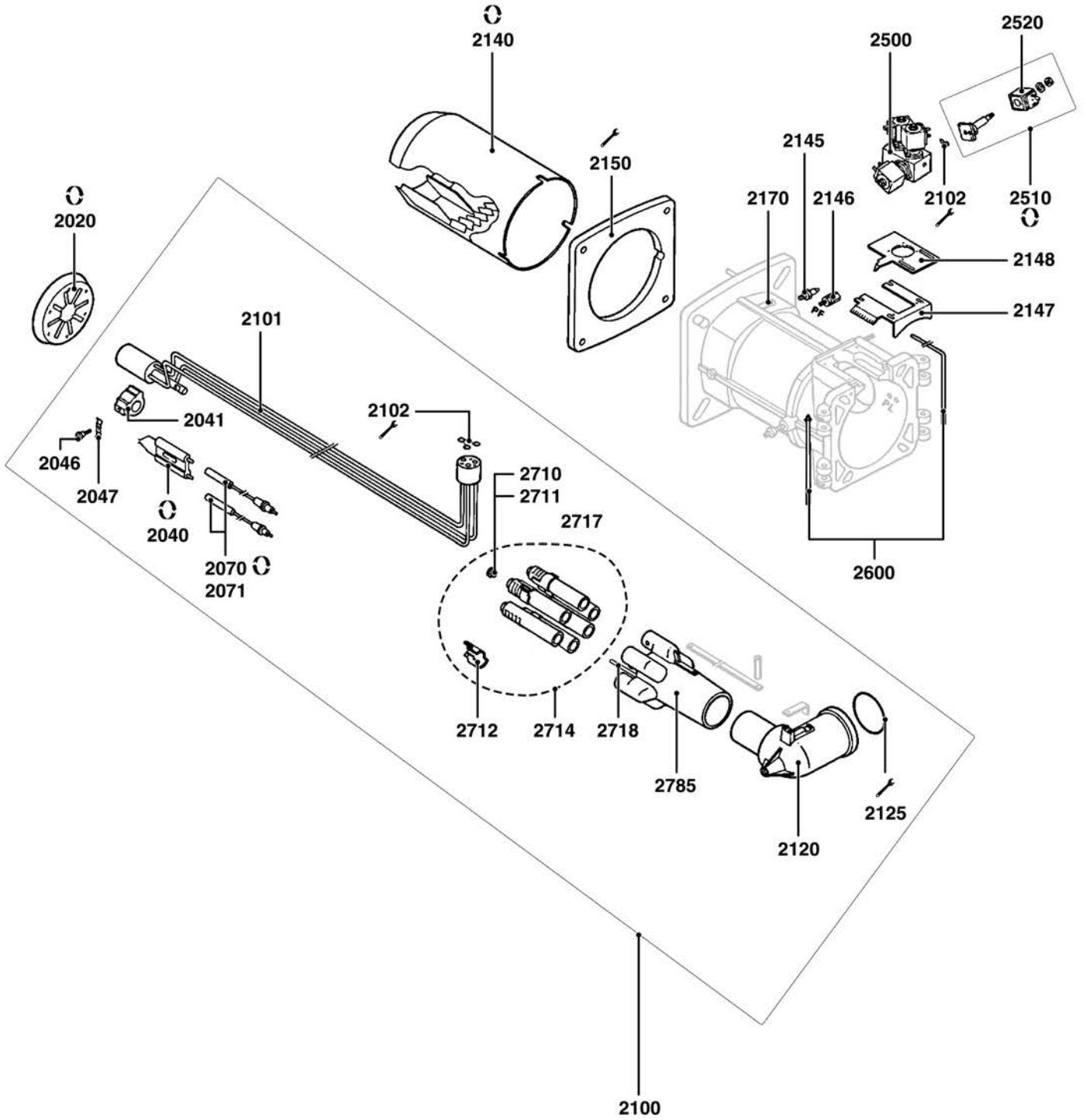
Col	Reference	Model type	Begin	End
-----	-----------	------------	-------	-----







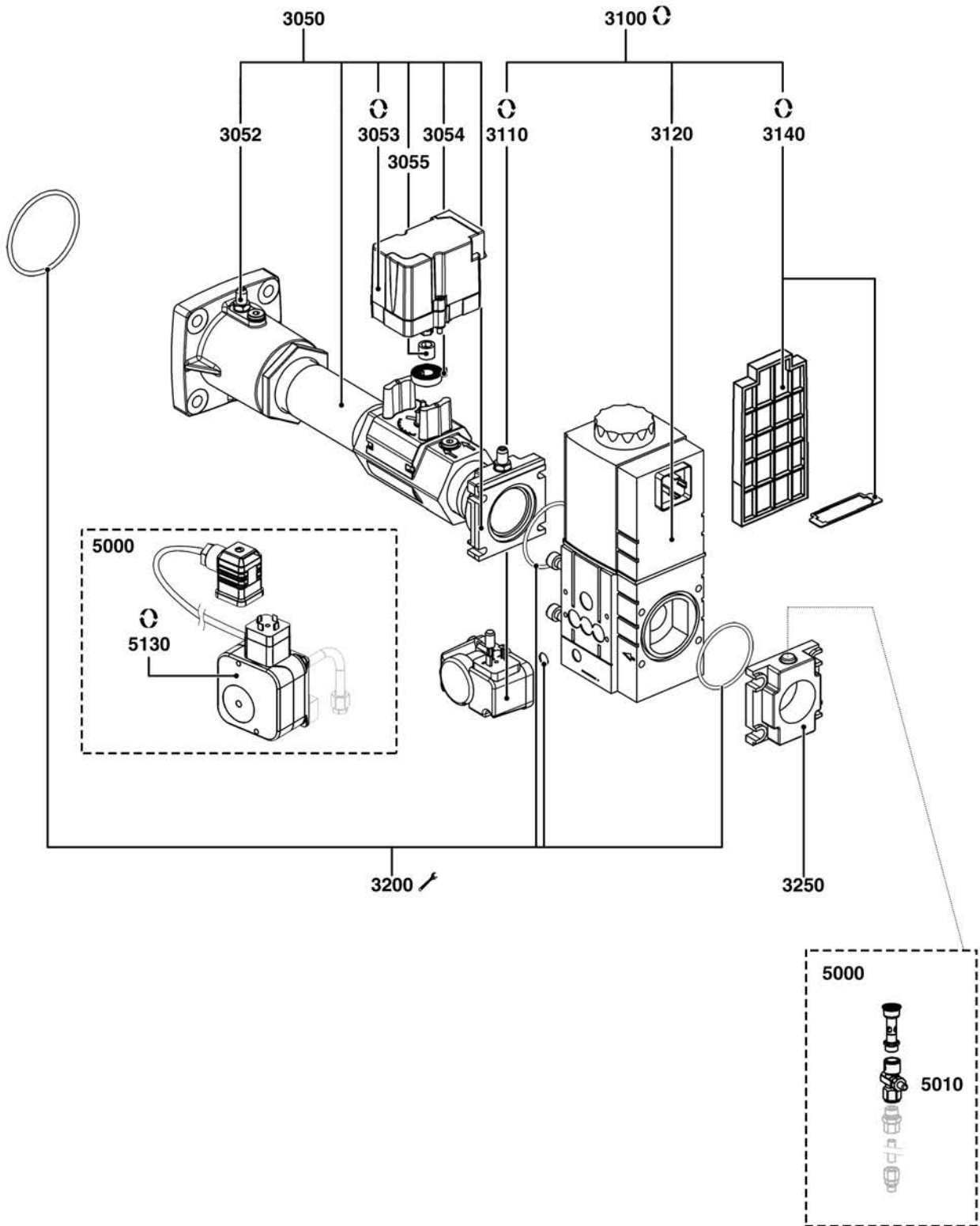




Description	Manf. Pt. N	Type	<div style="display: flex; justify-content: space-between; font-size: 8px; font-weight: bold;"> <span>BB-NC 160 BX 9/17/8/TC</span> <span>BB-NC 160 BX 10/17/8/TC</span> <span>BB-NC 210 BX 9/17/8/TC</span> <span>BB-NC 210 BX 10/17/8/TC</span> <span>CH-D731-T/1KN</span> <span>CH-D731-T/2KL</span> <span>CH-D732-T/1KN</span> <span>CH-D732-T/2KL</span> <span>GT-DA20-1/12-RP2/TC</span> <span>GT-DA21-1/12-RP2/TC</span> <span>GT-DA22-85-DN65/TC</span> <span>GT-S42-85-DN65/TC</span> </div>																		From	to
			1	2	3	4	5	6	7	8	9	10	11	12	13	14	15	16	17	18		
<b>2000 COMBUSTION HEAD</b>																						
2020 BAFFLE PLATE D155/50 8SL R 7DRIL.	13009712																					
BAFFLE PLATE D168/50 8SL 6DRIL.	13018284																					
2040 ELECTROD.BLOC.27X55 d6,4 D2X23 45°+SCREW	13009726																					
2041 BRACKET ELECTR.D22+FLAT 12X24+FLAT 10X24	13010050																					
2046 CYLINDRIC SCREW D10/5/M4X17,5/ELECTRODE	13010049																					
2047 FLANGE 20X11X2,6 FIX. ELECTRODE	13009725																					
2070 IGNITION CABLE D6,35/D6,35 L950 X2 HEAD	13009727																					
2071 ROUND SOCKET D6,4 L48 (2 PCS)/IGNI.CABLE	13010056																					
2100 COMB.HEAD DUAL FUEL L526 D156 CPL.	13018945																					
COMB.HEAD DUAL FUEL L626 D156 CPL.	13018947																					
COMB.HEAD DUAL FUEL L726 D156 CPL.	13018946																					
2101 NOZZLE ROD D42/10 L526 3 NOZZ.DUAL FUEL	13014682																					
NOZZLE ROD D42/10 L626 3 NOZZ.DUAL FUEL	13014684																					
NOZZLE ROD D42/10 L726 3 NOZZ.DUAL FUEL	13014683																					
2102 O-RING D6X2	13009812																					
2120 GAS ELBOW D95/70 L125/227 90°	13009732																					
GAS ELBOW D95/70 L125/327 90°	13009734																					
GAS ELBOW D95/70 L125/427 90°	13009733																					
2125 O-RING D75X4	13009731																					
2140 FLAME TUBE D227/160/205 L343 TURBU.D171	13009716																					
FLAME TUBE D227/160/205 L443 TURBU.D171	13009718																					
FLAME TUBE D227/160/205 L543 TURBU.D171	13009717																					
FLAME TUBE D227/172/190 L343 TURBU.D171	13009713																					
FLAME TUBE D227/172/190 L443 TURBU.D171	13009715																					
FLAME TUBE D227/172/190 L543 TURBU.D171	13009714																					
2145 PRESSURE TAP R1/8	13009722																					
2146 STRAIGHT UNION	13009721																					
2147 PLATE CLOSING RTC 127X127X42 GRAD.	13009816																					
2148 COVER NOZZLE ROD 174X90 D63/NC160-210/V6	13009817																					
2150 GASKET/BURNER FLANGE 335X326X3 D250	13009719																					
2170 SCREW HEX.13 D18/M8X20 (X.3)/FLAME TUBE	13009723																					
2500 OIL DISTRIBUTOR 3 STAGES	13009811																					
2510 LUC ELECTRO VALVE 121F63 2/2NF9W	13009813																					
2520 COIL PAR 32MM 115V 14W	65300750	110V																				
LUCIFER COIL 9W	13009814																					
2600 SPINDLE/HINGE BODY-HEAD D12X210+D12X83	13009724																					
2710 KIT 6 SCREWS M5X6 D3 INT./NATURAL GAS	13010048																					
2711 KIT 6 SCREWS M5X6/LPG	13007041																					
2712 SHUTTER D27,8X50/GAS NOZZLE (6 PCS)	13010046																					
2714 GASNOZZLE D28 L170 6 SL.+RING (6 PCS)	13010047																					
2718 GASNOZZLE D6/4 L151 IGNITION	13014075																					
2785 GAS HEAD L246 D156/75/14 6 DRIL.D25	13018948																					

CB-NC160, NC210 BX9(10)1718 /TC

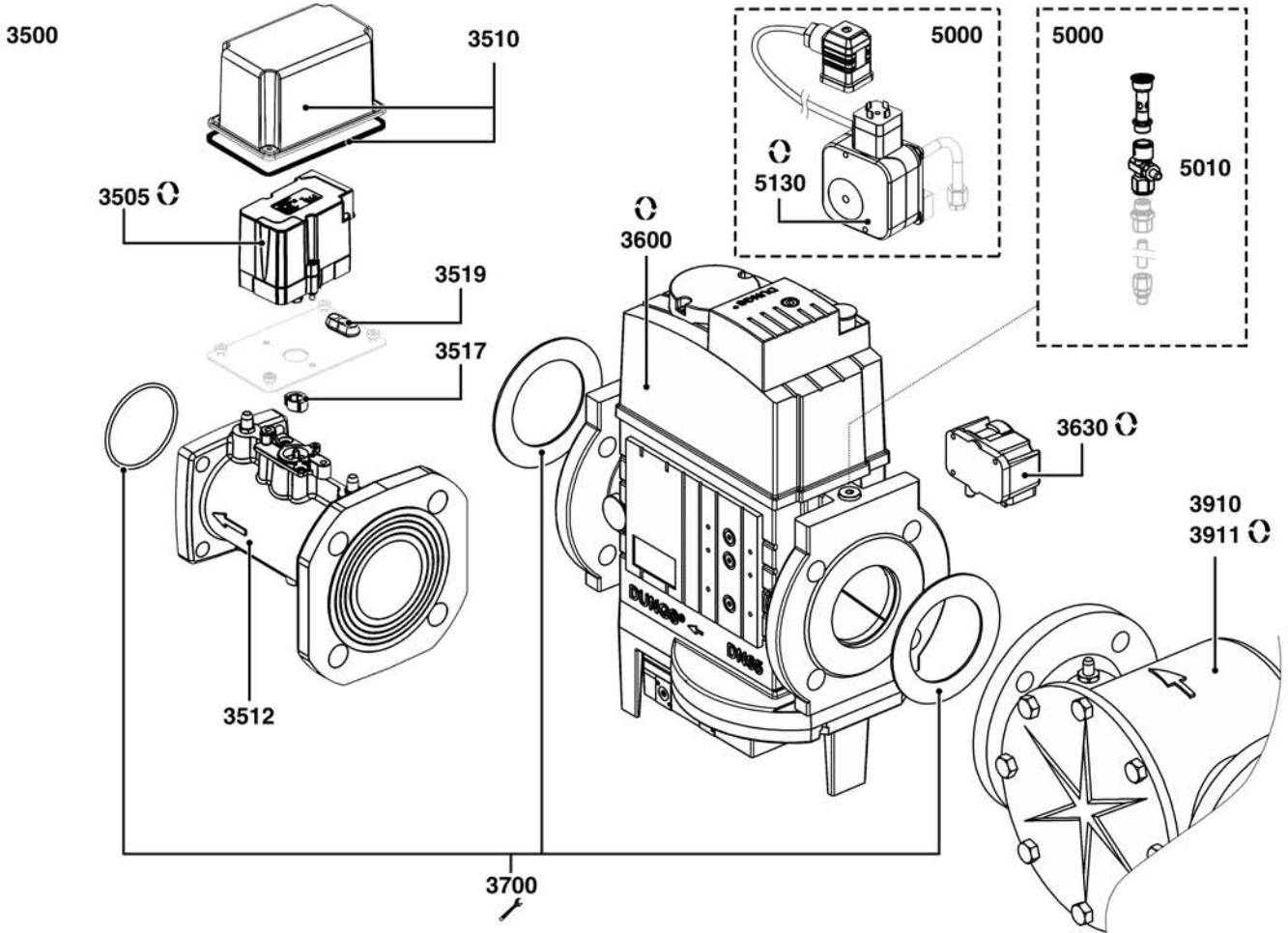
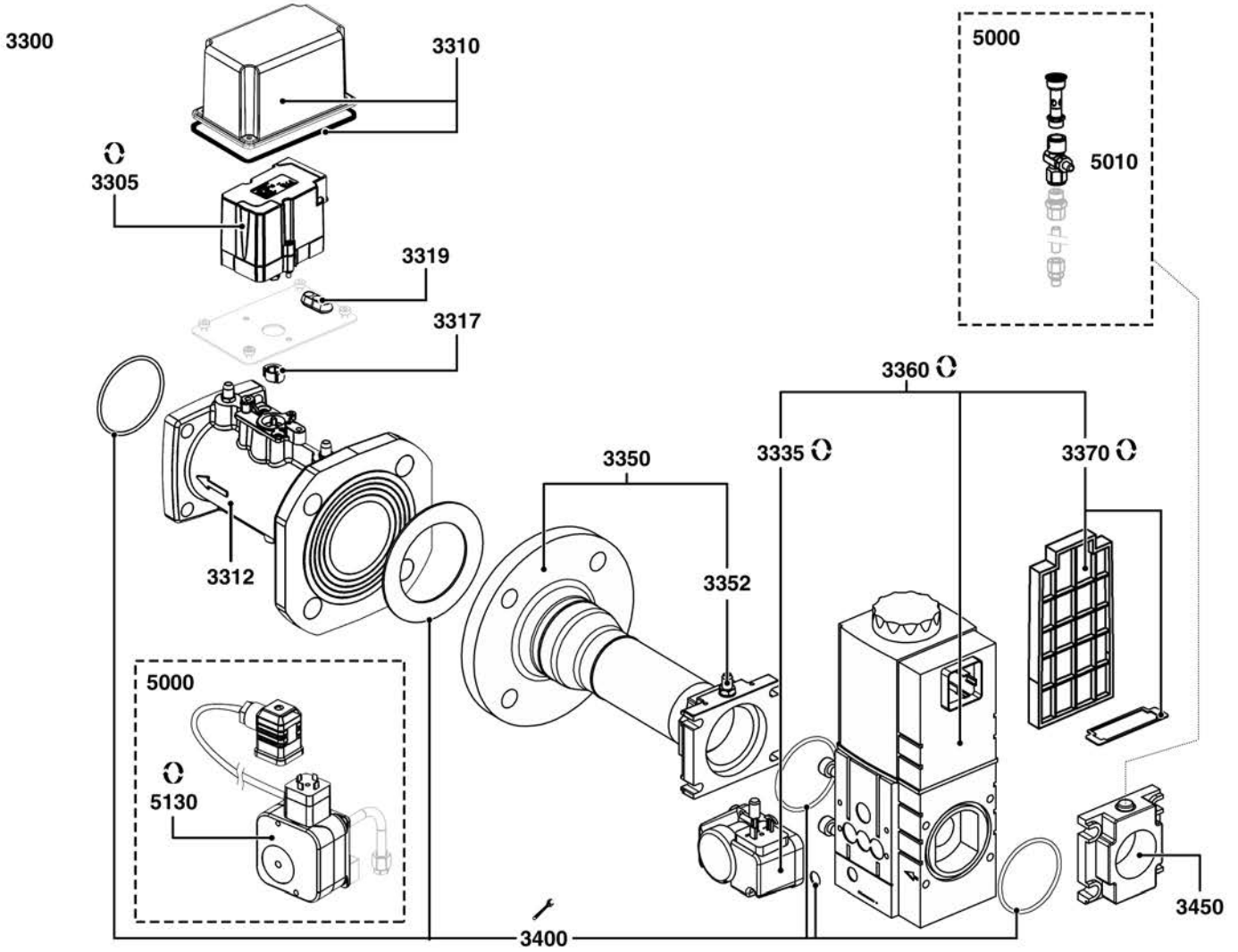
Dual-Fuel burner



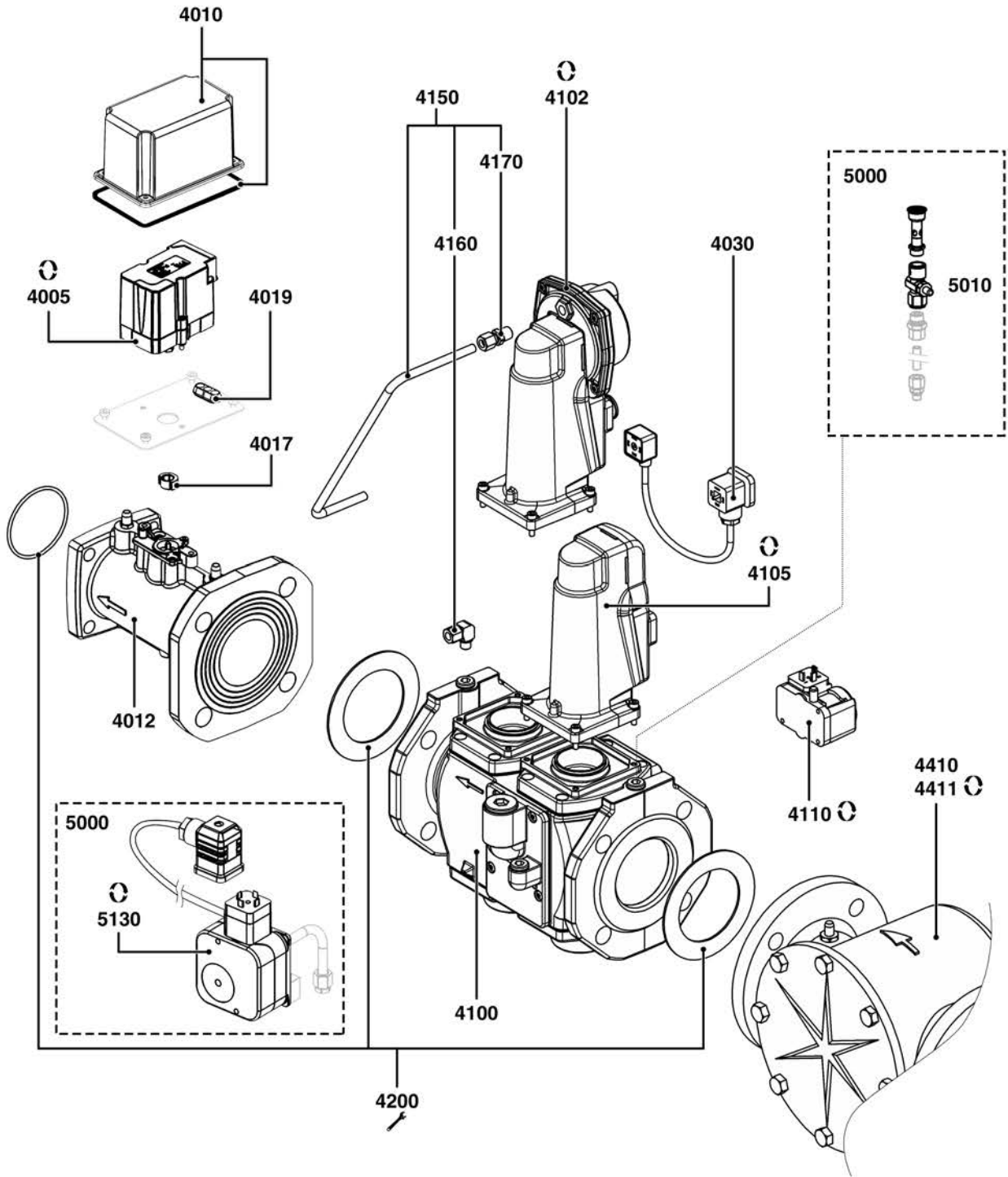


☉⇒	Description	Manf. Pt. N	Type	BB-NC 160 BX 9/17/8/TC BB-NC 160 BX 10/17/8/TC BB-NC 210 BX 9/17/8/TC BB-NC 210 BX 10/17/8/TC CH-D731-T-1/KN CH-D731-T2/KN CH-D732-T1/KN CH-D732-T2/KN GT-DA20-1/12-RP2/TC GT-DA21-2-RP2/TC GT-DA22-65-DN65/TC GT-S42-85-DN65/TC																		From	to
				1	2	3	4	5	6	7	8	9	10	11	12	13	14	15	16	17	18		
<b>3000</b>	<b>GAS TRAIN</b>																						
3050	GAS COLLECTOR 106X106/RP2 2" L444+STE4	65329189										●											
3052	PRESSURE TAP R1/8	13009722										●											
3053	ACTUATOR STE 4,5 B0.37/6-R + CABLE L600	65300527										●											
3054	SPRING SPIRAL D35X6,5 1,2NM/ACTUATOR	13009688										●											
3055	RING D12,8/11,4X10/ACTUATOR	13014901										●											
3100	GAS VALVE MB DLE 420 B01S52	65329190										●											
3110	GAS PRESS.SWITCH GW 150 A5 5-150MB	13010078										●											
3120	COIL DUNGS MB-DLE 420 B01 SX2	65300708										●											
3140	STRAINER MBC 300	13022415										●											
3200	O-RING KIT D70X3+D74X3 (2)D11X2/MBC700	65300981										●											
3250	FLANGE MBC300 RP1 1/4	13022621										●											
<b>5000</b>	<b>ACCESSORIES</b>																						
5010	TRIAL BURNER WITH PUSH-BUTTON PB2	65311362										●											
5130	MAX. GAS PRES. SWITCH UB50 A2+CABLE L600	65326220	PED									●											

31



☉⇒	Description	Manf. Pt. N	Type	<div style="display: flex; justify-content: space-between; font-size: 8px; transform: rotate(-45deg);"> <span>BB-NC 160 BX 9/17/8/TC</span> <span>BB-NC 160 BX 10/17/8/TC</span> <span>BB-NC 210 BX 9/17/8/TC</span> <span>BB-NC 210 BX 10/17/8/TC</span> <span>CH-D731-T-1/KN</span> <span>CH-D731-T-2/KN</span> <span>CH-D732-T1/KN</span> <span>CH-D732-T2/KN</span> <span>CH-D732-T3/KN</span> <span>GT-DA20-1/12-RP2/TC</span> <span>GT-DA21-1/2-RP2/TC</span> <span>GT-DA22-65-DN65/TC</span> <span>GT-S42-65-DN65/TC</span> </div>																		From	to
				1	2	3	4	5	6	7	8	9	10	11	12	13	14	15	16	17	18		
<b>3300</b>	<b>GAS TRAIN</b>																						
3305	ACTUATOR STE 4,5 B0.37/6-R + CABLE L600	65300527											•	•									
3310	COVER 125X79X73/ACTUATOR STE 4,5	65312327											•	•									
3312	GASFLAP 164X164 DN65 L200	65301268											•	•									
3317	ROTATION STOP F. SHAFT STE4.5 0.8NM	65301267											•	•									
3319	CABLE GROMMET 34X15 D6,2	65312458											•	•									
3335	GAS PRESS.SWITCH GW 150 A5 5-150MB	13010078											•	•									
3350	GAS COLLECTOR DN65/RP2 L248	13009693											•	•									
3352	PRESSURE TAP R1/8	13009722											•	•									
3360	GAS VALVE MBC1200 SE S82 RP2+GPS GW150	65300008												•									
	GAS VALVE MBC700 SE S82 RP1 1/2+GW150	13022996												•									
3370	STRAINER MBC 1200	13022417													•								
	STRAINER MBC 700	13022416													•								
3400	O-RING KIT D70+D74X3+D115/77/MBC700-1200	65301065											•	•									
3450	FLANGE MB415/420 RP1 1/2 + PRES.PLUG	65322637											•	•									
<b>3500</b>	<b>GAS TRAIN</b>																						
3505	ACTUATOR STE 4,5 B0.37/6-R + CABLE L600	65300527																	•				
3510	COVER 125X79X73/ACTUATOR STE 4,5	65312327																	•				
3512	GASFLAP 164X164 DN65 L200	65301268																	•				
3517	ROTATION STOP F. SHAFT STE4.5 0.8NM	65301267																	•				
3519	CABLE GROMMET 34X15 D6,2	65312458																	•				
3600	GAS VALVE MBC1900 SE DN65+GW150 (258846)	65301067																	•				
3630	GAS PRESS.SWITCH GW 150 A5 5-150MB	13010078																	•				
3700	O-RING KIT D70X3+ D115/77(2)/MBC1900/VGD	65301066																	•				
3910	EXTERNAL GAS FILTER DN65	13009703																	•				
3911	STRAINER DN65 /ANELLO	13009704																	•				
<b>5000</b>	<b>ACCESSORIES</b>																						
5010	TRIAL BURNER WITH PUSH-BUTTON PB2	65311362												•	•	•							
5130	MAX. GAS PRES. SWITCH UB50 A2+CABLE L600	65326220	PED											•	•	•							



☉⇒	Description	Manf. Pt. N	Type	BB-NC 160 BX 9/17/8/TC BB-NC 160 BX 10/17/8/TC BB-NC 210 BX 9/17/8/TC BB-NC 210 BX 10/17/8/TC CH-D731-T-1/KN CH-D731-T2/KN CH-D732-T1/KN CH-D732-T2/KN GT-DA20-T1/2-RP2/TC GT-DA21-T1/2-RP2/TC GT-DA22-65-DN65/TC GT-S42-65-DN65/TC																		From	to
				1	2	3	4	5	6	7	8	9	10	11	12	13	14	15	16	17	18		
<b>4000</b>	<b>GAS TRAIN</b>																						
4005	ACTUATOR STE 4,5 B0.37/6-R + CABLE L600	65300527																			•		
4010	COVER 125X79X73/ACTUATOR STE 4,5	65312327																			•		
4012	GASFLAP 164X164 DN65 L200	65301268																			•		
4017	ROTATION STOP F. SHAFT STE4.5 0.8NM	65301267																			•		
4019	CABLE GROMMET 34X15 D6,2	65312458																			•		
4030	CABLE CONNECT AGA 62 PLUG DIN L270	13020958																			•		
4100	GAS VALVE VGD40 065 DN65	65323661																			•		
4102	GAS ACTUATOR SKP25.003E2 W.O.END SWITCH	65107100																			•		
4105	GAS SERVOM. SKP15.000E2 W/O LIMIT SW.	13020951																			•		
4110	GAS PRESS.SWITCH GW 150 A5 5-150MB	13010078																			•		
4150	GAS PRESSURE TUBE WITH UNION	65301068																			•		
4160	ANGLED UNION	13023188																			•		
4170	STRAIGHT UNION	13009721																			•		
4200	O-RING KIT D70X3+ D115/77(2)/MBC1900/VGD	65301066																			•		
4410	EXTERNAL GAS FILTER DN65	13009703																			•		
4411	STRAINER DN65 /ANELLO	13009704																			•		
<b>5000</b>	<b>ACCESSORIES</b>																						
5010	TRIAL BURNER WITH PUSH-BUTTON PB2	65311362																			•		
5130	MAX. GAS PRES. SWITCH UB50 A2+CABLE L600	65326220	PED																		•		

