

SPARE PARTS EXPLODED VIEW OIL BURNER

Model

NC12, NC16, NC21 H101

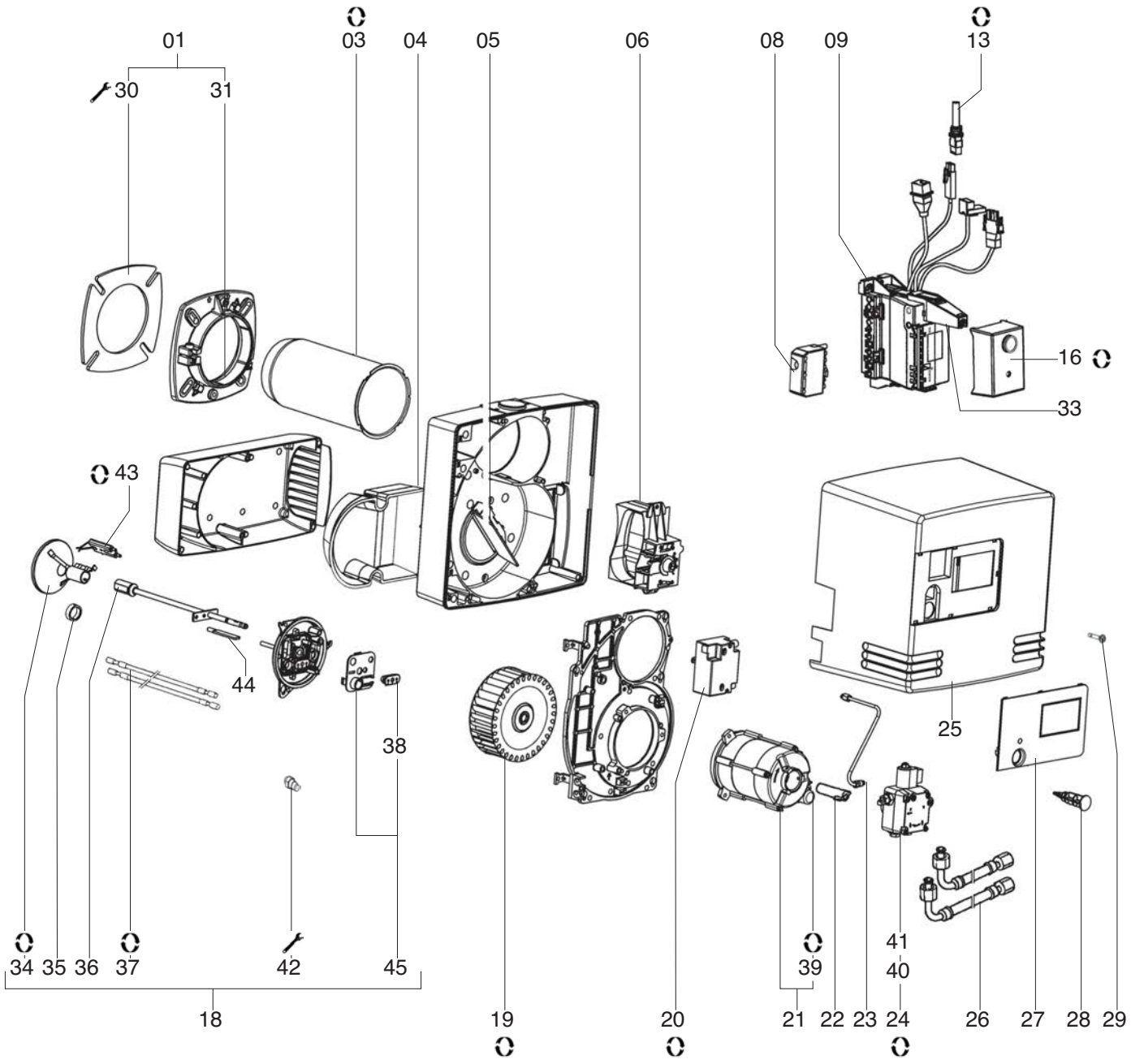
R8217622-02 - 06/05/2019

NC12, NC16, NC21 H101

Oil burner

1	13017164	CB-NC12 H101 T1	03-2005	10-2013
2	13017165	CB-NC12 H101 T2	03-2005	05-2013
3	13017168	CB-NC16 H101 T1	03-2005	03-2013
4	13017169	CB-NC16 H101 T2	03-2005	04-2012
5	13015050	CB-NC21 H101 T1	03-2005	10-2013
6	13015051	CB-NC21 H101 T2	03-2005	05-2014

Col	Reference	Model type	Begin	End
-----	-----------	------------	-------	-----



☉⇒	Description	Manf. Pt. N	Type	<div style="display: flex; justify-content: space-between; align-items: center;"> <div style="transform: rotate(-45deg); font-size: small;"> NC12, H101 T1 NC12, H101 T2 NC16, H101 T1 NC16, H101 T2 NC21, H101 T1 NC21, H101 T2 </div> <div style="border: 1px solid black; padding: 2px;"> 0-0 31 </div> </div>																		From	to
				1	2	3	4	5	6	7	8	9	10	11	12	13	14	15	16	17	18		
0001	BOILER ACCESSORY D115 EUROFLANGE	13018134		●	●	●	●	●	●														
0003	FLAME TUBE D115/100 L230	13018148							●														
	FLAME TUBE D115/100 L350	13018149								●													
	FLAME TUBE D115/78 L230	13018136		●		●																	
	FLAME TUBE D115/78 L350	13018137			●		●																
0004	INSULATION AIR INTAKE BOX	13017369		●	●	●	●	●	●														
0005	AIR RECYCLING 109/102X60 78° (WHITE)	13017363		●	●																		
	AIR RECYCLING 119/114X60 78° (BLACK)	13017364				●	●	●	●														
0006	AIR FLAP	13018138		●	●	●	●	●	●														
0008	PLUG WIELAND 7P	13009670		●	●	●	●	●	●														
0009	ELECT.WIRING NC4-21/VL01-02/SH113	13010979		●	●	●	●	●	●														
0013	PHOTOCELL QRB 1A A048B70B+PLUG 2P L80	65326633		●	●	●	●	●	●														
0016	CONTROL UNIT SH 113 C2	13011039		●	●	●	●	●	●														
0018	COMB.HEAD OIL L300 D78/20-6SL.CPL.	13017374		●		●																	
	COMB.HEAD OIL L300 D90/20-6SL.CPL.	13017464							●														
	COMB.HEAD OIL L420 D78/20-6SL.CPL.	13017375			●		●																
	COMB.HEAD OIL L420 D90/20-6SL.CPL.	13017465								●													
0019	FAN WHEEL D146 X52 D12,7	13010012		●	●																		
	FAN WHEEL D160X52 D12,7	13010095				●	●	●	●														
0020	IGNITION TRANSFO. EBI 2X7,5 230V	13009663		●	●	●	●	●	●														
0021	MOTOR 0,13KW230V D12,7	13010014							●	●													
	MOTOR 0,16KW230V D12,7	13009981		●	●	●	●																
0022	COUPLING D14/11X11 SMEN	13018143		●	●	●	●	●	●														
0023	OIL FEED TUBE	13017379		●	●	●	●	●	●														
0024	KIT FOR PUMP ASV 47D+ CONNECTION NIPPLE	13004800		●	●	●	●	●	●														
0025	COVER ORANGE 327X322X220/NC12-21	13017370		●	●	●	●	●	●														
0026	OIL HOSE L 1500 DN6,G3/8-G1/4A	12002251		●	●	●	●	●	●														
0027	FRONT COVER	13017382				●	●																
	PLATE/HOOD NC12	13017381		●	●																		
	PLATE/HOOD NC21	13017383							●	●													
0028	RESET BUTTON D25/20/13X71	13020365		●	●	●	●	●	●														
0029	TAP SCREW TORX/SZ M5X20	118637		●	●	●	●	●	●														
0030	GASKET/BURNER FLANGE 176X176X8 D115	13018135		●	●	●	●	●	●														
0031	GASKET/BRAID D115X5X5-377	13020517		●	●	●	●	●	●														
0033	FIXING COLUMN K7 SG-SH/COVER	13012597		●	●	●	●	●	●														
0034	BAFFLE PLATE D78/20 6SL L	13018140		●	●	●	●																
	BAFFLE PLATE D90/20X79 6SL R	13009987							●	●													
0035	SETTING KEEPER RING D25/19X3/NOZZ.-BAF.	13018403		●	●	●	●	●	●														
0036	NOZZLE ROD D8 L300 M8	13018141		●	●			●															
	NOZZLE ROD D8 L420 M8	13018142			●		●		●														
0037	IGNITION CABLE D4/D4 L365 AP	13013524		●		●		●		●													
	IGNITION CABLE D4/D4 L510 AP (X1)	13014990			●		●		●														
0038	RUBBER FUNNEL 34X15/12 - 2XD3,25	13017148		●	●	●	●	●	●														
0039	CAPACITOR 5µF 2P 3mm	65325038		●	●	●	●																
	CAPACITOR 6,3µF 2P 3mm	13010016							●	●													
0040	KIT COVER GASKET+FILTER D20 SUNTEC A	13010470		●	●	●	●	●	●														
0041	COIL SUN PUMP AS-AP-AL-AT-A2L	13010006		●	●	●	●	●	●														
0042	NOZZLE DAN 1,25GPH 45° S	13016066			●																		
	NOZZLE DAN 1,50GPH 45° S	13016068		●																			
	NOZZLE DAN 1,75GPH 45°S	13016069				●	●																
	NOZZLE DAN 2,00GPH 45° S	13016073			●																		
	NOZZLE DAN 2,25GPH 45° S	13016071		●		●	●	●	●														
	NOZZLE DAN 2,50GPH 45° S	13016072				●	●																
	NOZZLE DAN 2,75GPH 45° S	13018449							●	●													
	NOZZLE DAN 3,00GPH 45° S	65074669							●	●													
0043	ELECTRODE BLOCK 25X43 D4 D1,5X32 30°	13018153							●	●													
	ELECTRODE BLOCK 25X48 d4 D1,5X19 52°	13011119		●	●	●	●																
0044	ADJUST SCALE	13017802		●	●	●	●	●	●														
0045	OIL R. DASHBOARD PLATE+CABLE GROMMET	13016951		●	●	●	●	●	●														

Oil burner NC12, NC16, NC21 H101

