

# SPARE PARTS EXPLODED VIEW OIL BURNER

Model

## CB-NC44 H201A

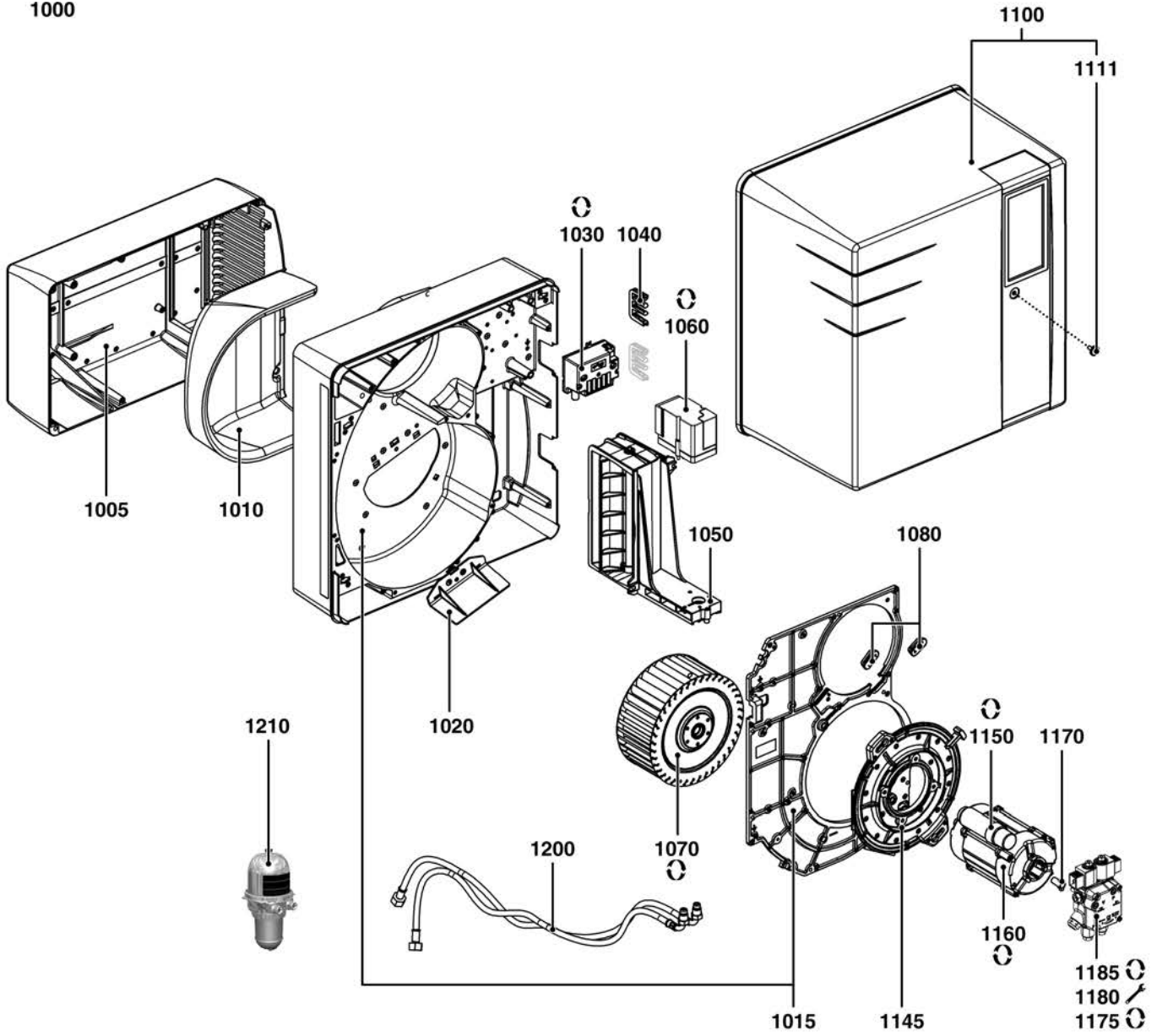
R8220296-02 - 30/10/2019

CB-NC44 H201A

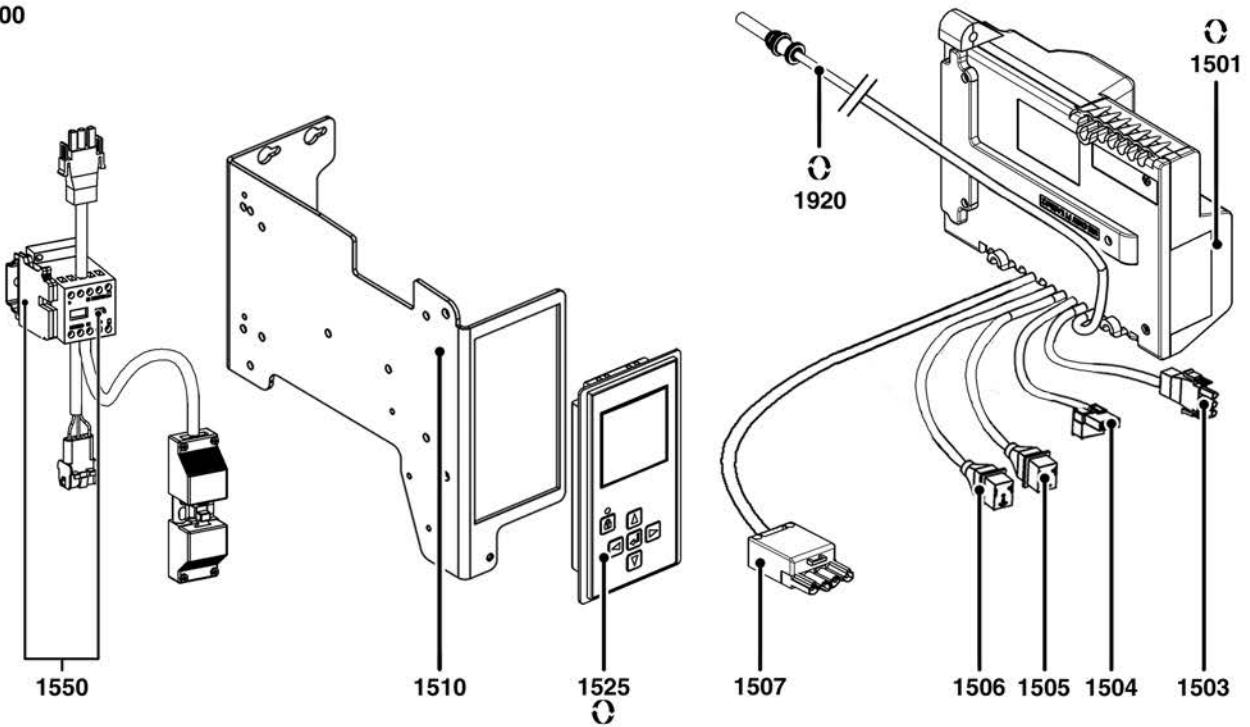
Oil burner

1	3836604	BB-NC44 H201A	01-2019	-
2	3836936	BB-NC44 H201A BIO	09-2019	-
3	3836601	CH-O0524-T1/KN	09-2018	-
4	3836602	CH-O0524-T2/KL	09-2018	-
Col	Reference	Model type	Begin	End

1000



1500

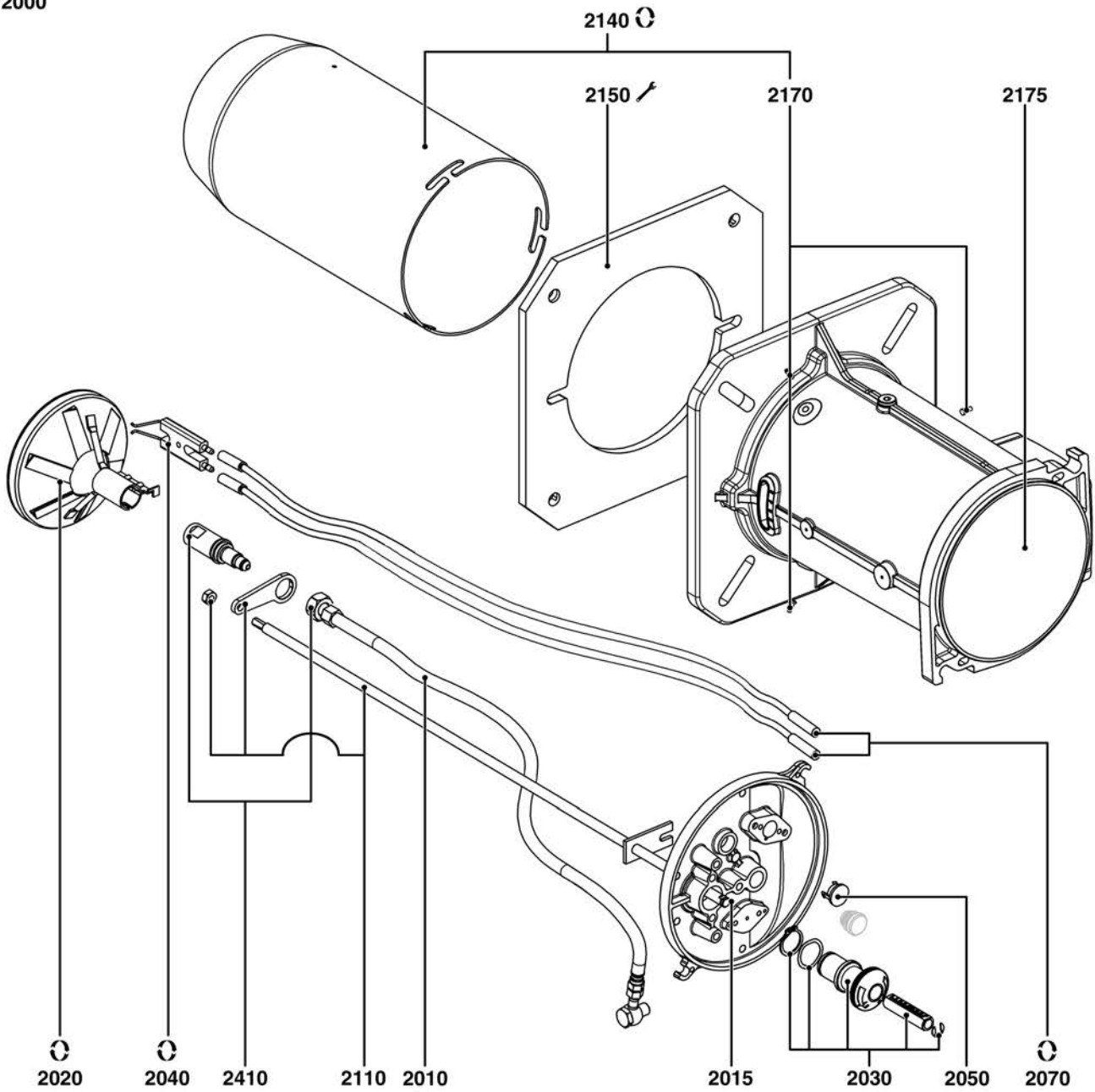




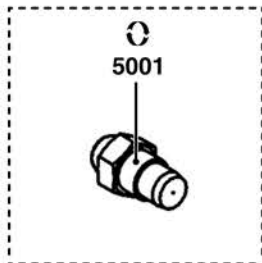
2000

CB-NC44 H201A

Oil burner



5000



⊙⇒	Description	Manf. Pt. N	Type	BB-NC44-H201A BB-NC44-H201A CH-00824-T1/KN CH-00824-T2/KN																		31
				1	2	3	4	5	6	7	8	9	10	11	12	13	14	15	16	17	18	
2000	<b>COMBUSTION HEAD</b>																					
2010	OIL HOSE DASH03 BANJO3/8-G3/8F JIC L1020	13020813					•															
	OIL HOSE DASH03 BANJO3/8-G3/8F JIC L1220	13022578					•	•														
2015	COVER HEAD D164/153X25+GUIDE D5X56	65326875					•	•														
2020	BAFFLE PLATE D114/40X83 6SL R	65327571					•	•														
2030	BUTTON D35/20X60+VERNIER D12/8X48+CLIPS	13007852					•	•														
2040	ELECTROD.BLOC.25X48 D4D1,5X22 45° +SCREW	13007907					•	•														
2050	INSPECTION GLASS BLU D14XD18	13007807					•	•														
2070	IGNITION CABLE D4/D4 L1050 AP	13010004					•															
	IGNITION CABLE D4/D4 L850 CARBON	13020808					•															
2110	ADJUST ROD D8-M8 L554 M6 + HOLD. 1XD17	65327569					•															
	ADJUST ROD D8-M8 L694 M6 + HOLD. 1XD17	65327570					•															
2140	FLAME TUBE D150/125 L278	65300806					•															
	FLAME TUBE D150/125/115 L417	65300807					•															
2150	GASKET/BURNER FLANGE 244X244X8 D158	13007803					•	•														
2170	SCREWS M6 FIX FLAME TUBE (3 PIECES)	13007804					•	•														
2175	FLANGE FIX. HEAD D155 L247/VL4-NC46/61 H	65326206					•	•														
2410	NOZZLE HOLDER + NUT	65300512					•	•														
5000	<b>ACCESSORIES</b>																					
5001	NOZZLE DAN 4,50 GPH 60° S	13018353					•	•														
	NOZZLE DAN 5,00 GPH 60° S	13018354					•	•														

