

SPARE PARTS EXPLODED VIEW GAS BURNERS

Model

NC12, NC16, NC21 GX207/8

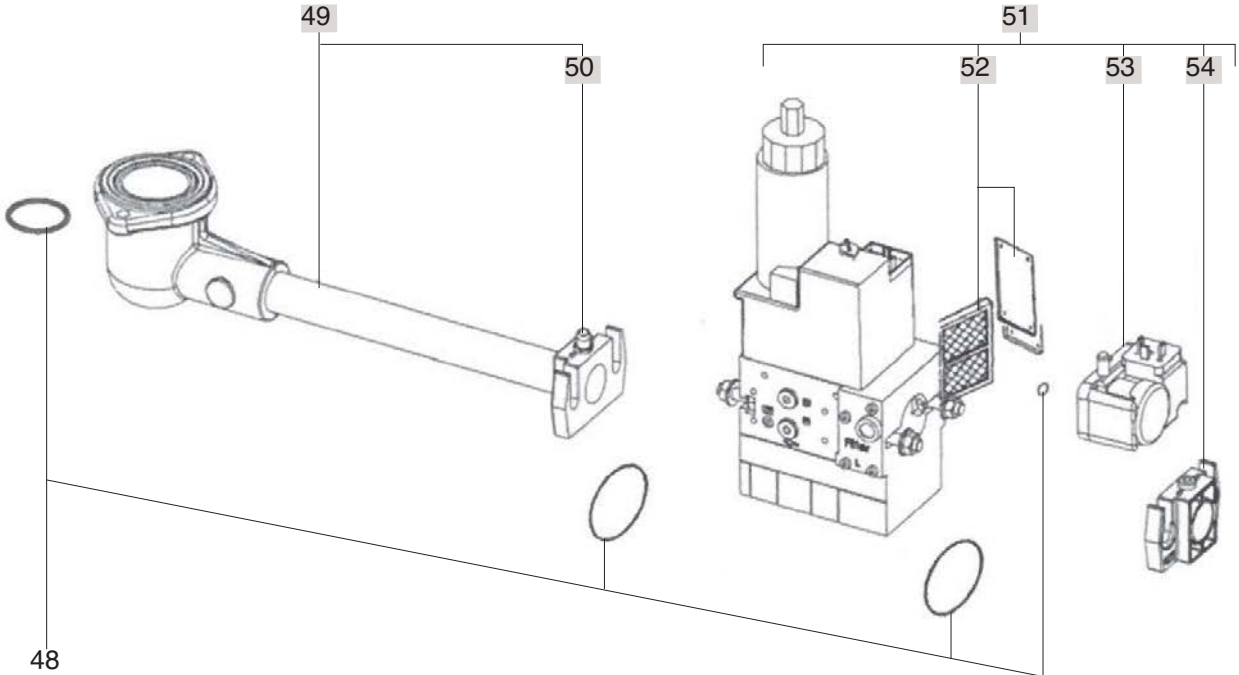
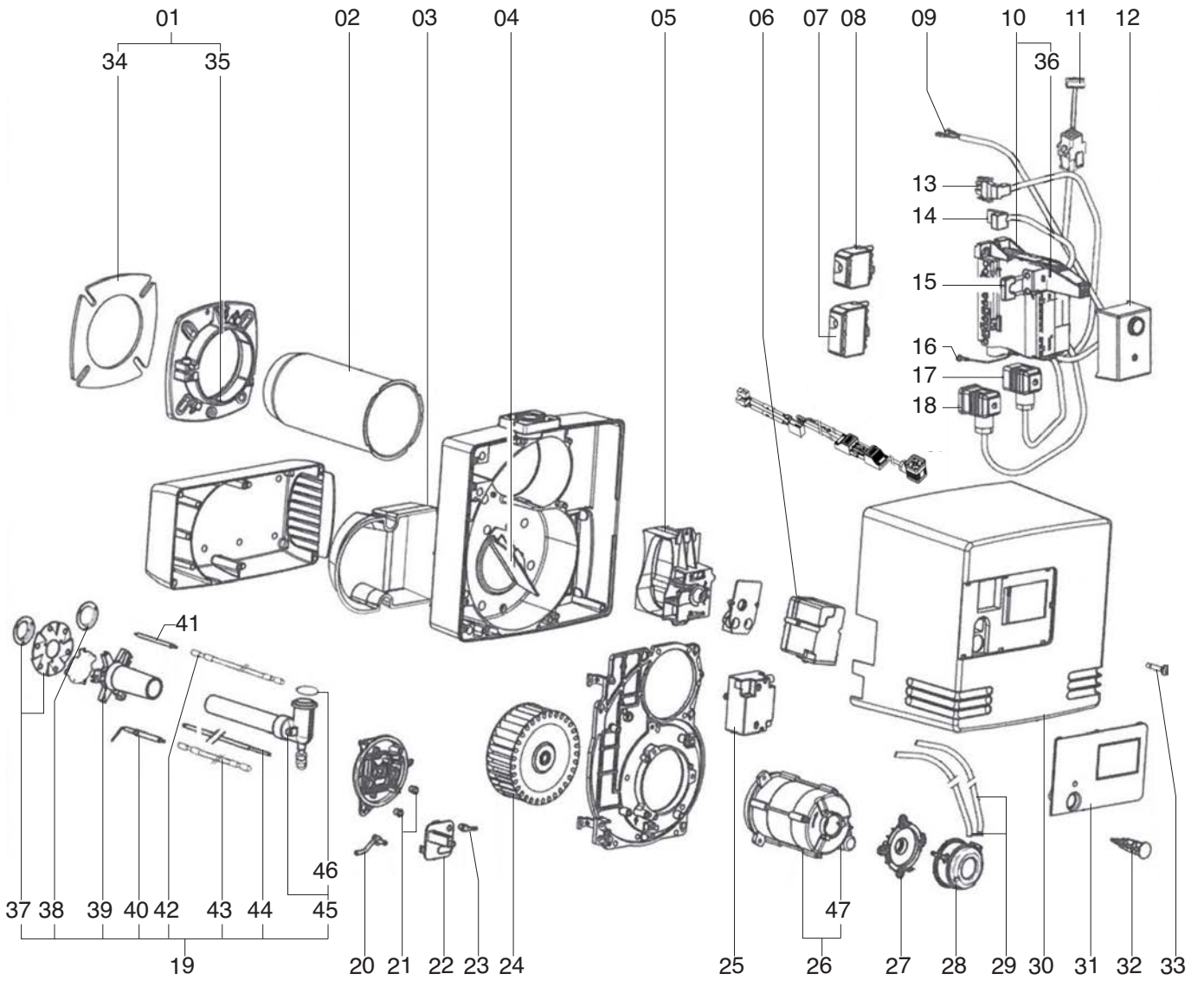
R8217598-02 - 02/05/2019

NC12, NC16, NC21 GX207/8

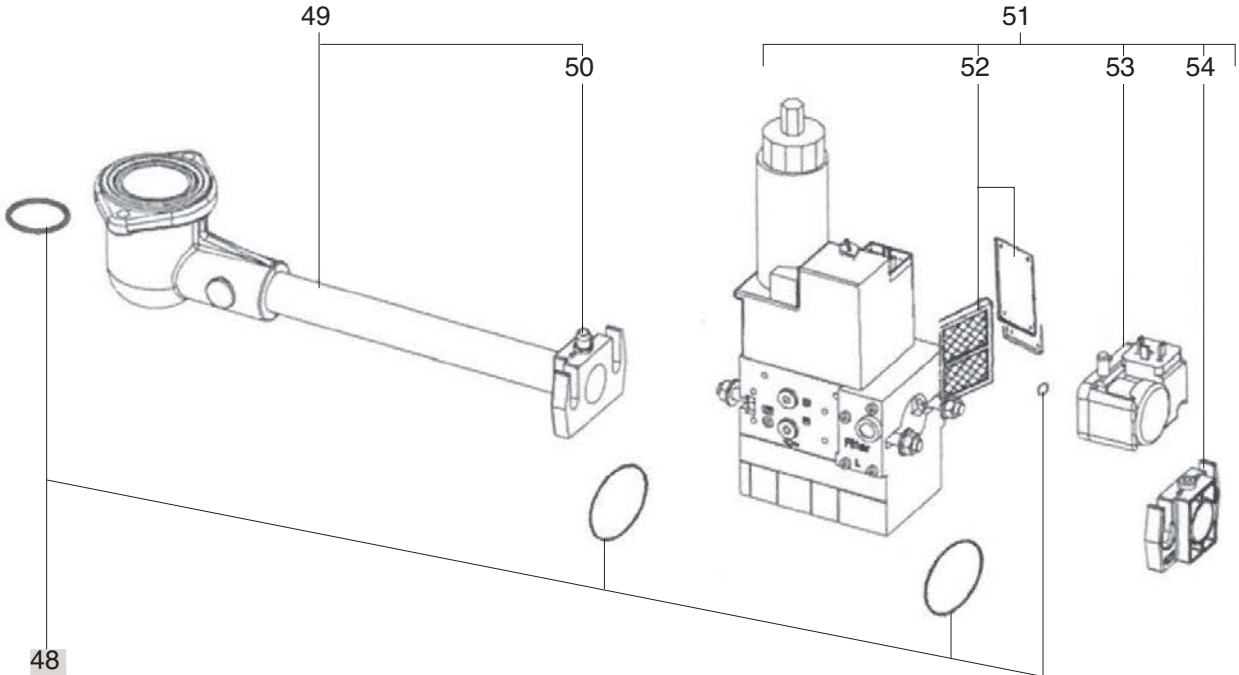
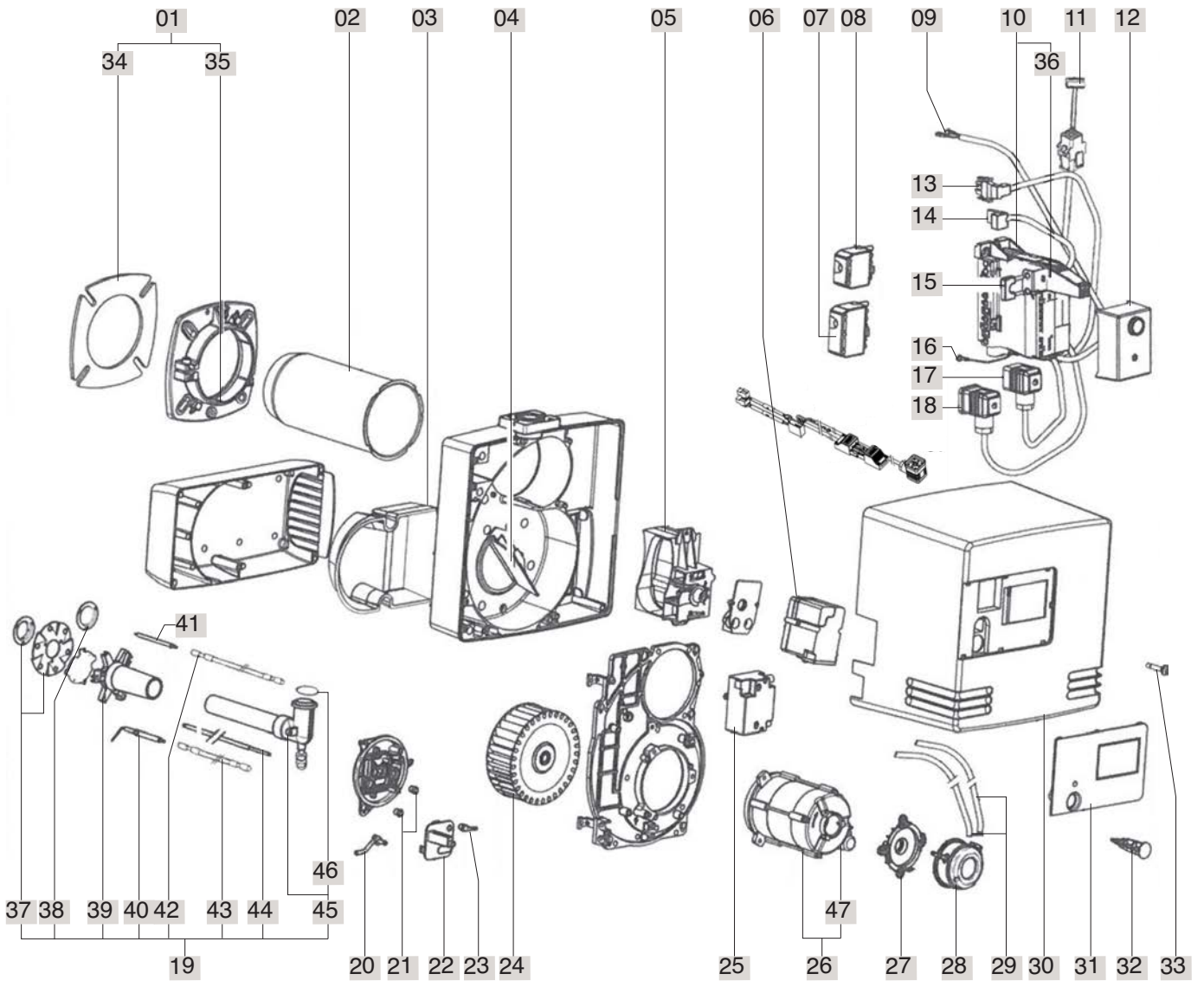
Gas burners

1	13017941	CB-NC12 GX207/8 P20-300 D3/4 -Rp3/4 T1	05-2005	07-2011
2	13017942	CB-NC12 GX207/8 P20-300 d3/4"-Rp3/4" T2	07-2005	09-2011
3	13017821	CB-NC16 GX207 P20-300 d3/4"-Rp3/4" T1	05-2005	06-2011
4	13017822	CB-NC16 GX207 P20-300 d3/4"-Rp3/4" T2	05-2005	08-2011
5	13018383	CB-NC21 GX207/8 P20 d1"1/4-Rp1"1/4 T1	05-2005	09-2011
6	13018384	CB-NC21 GX207/8 P20 d1"1/4-Rp1"1/4 T2	08-2005	07-2012
7	13015059	CB-NC21 GX207/8 P20-300 d3/4"-Rp3/4" T2	05-2005	06-2011
8	13015058	CB-NC21 GX207/8 P20-300 d3/4"-Rp3/4" T1	04-2005	09-2011

Col	Reference	Model type	Begin	End
-----	-----------	------------	-------	-----



☉⇒	Description	Manf. Pt N	Type	<div style="text-align: right; border: 1px solid black; padding: 2px;"> <small>0-0</small> 31 </div>																		From	to
				1	2	3	4	5	6	7	8	9	10	11	12	13	14	15	16	17	18		
0001	BOILER ACCESSORY D115 EUROFLANGE	13018134		•	•																		
0002	FLAME TUBE D115/100 L230	13018148				•		•															
	FLAME TUBE D115/100 L350	13018149					•		•														
	FLAME TUBE D115/78/75 L230	13020498		•																			
	FLAME TUBE D115/78/75 L350	13020499			•																		
0003	INSULATION AIR INTAKE BOX	13017369		•	•			•	•														
0004	AIR RECYCLING 109/102X60 78° (WHITE)	13017363		•	•																		
	AIR RECYCLING 119/114X60 78° (BLACK)	13017364				•	•		•	•													
0005	AIR FLAP	13018138		•	•			•	•														
0006	ACTUATOR STA 4,5 BO37/6 3N30R	13007919		•	•			•	•														
0007	PLUG WIELAND 7P SCREENPRINTED	13010523		•	•			•	•														
0008	PLUG WIELAND 4P GREEN	13009667		•	•			•	•														
0009	CABLE AIR P.SWITCH+RAST2P/FAST.6,3 L200	13010537		•	•			•	•														
0010	ELECTRIC CONNECTION BOX GAS 2ST./SG513	13010521		•	•			•	•														
0011	CABLE ACTUATOR+PLUG9P/RAST5P+RAST4P L500	13020381		•	•			•	•														
0012	CONTROL UNIT SG 513 C2	13011099		•	•			•	•														
0013	CABLE MOTOR+PLUG 3P/RAST3P L300	13010519		•	•			•	•														
0014	CABLE IGNIT.TRANSFO+PLUG 3P/RAST 2P L250	13010535		•	•			•	•														
0015	IONISATION BRIDGE	13010524		•	•			•	•														
0016	CABLE HEARTH+PLUG 7,6/BUNDY D5 L120	13007833		•	•			•	•														
0017	CABLE GAS P.SWITCH+PLUG DIN/RAST3P L1500	13010080		•	•			•	•														
0018	CABLE GAS VALVE+PLUG DIN/RAST 3P L1500	13010545		•	•			•	•														
0019	COMB.HEAD GAS L257 D74,5 CPL.	13018023		•																			
	COMB.HEAD GAS L288 D89/93 CPL.	13018025				•		•															
	COMB.HEAD GAS L377 D74,5 CPL.	13018024				•																	
	COMB.HEAD GAS L407 D89/93 CPL.	13018026						•	•														
0020	TUBE D.6+ AIR MEASURE FLANGE	13021961		•	•			•	•														
0021	CABLE GROMMET BLACK D2,3/9	13010058		•	•			•	•														
0022	GAS DASHB.PLATE 61X60 D7,5+2XD9 GRAD.L52	13021960		•	•			•	•														
0023	UNION ELBOW POLYAMID R1/8-D4	13013352		•	•			•	•														
0024	FAN WHEEL D146 X52 D12,7	13010012		•	•																		
	FAN WHEEL D160X52 D12,7	13010095				•		•	•														
0025	IGNITION TRANSFO.EBI 1X11 230V+EARTH CO.	65300715		•	•			•	•														
0026	MOTOR 0,13KW230V D12,7	13010014							•	•													
	MOTOR 0,16KW230V D12,7	13009981		•	•			•	•														
0027	AIR PRESSURE SWITCH BASE D32	13020723		•	•			•	•														
0028	AIR PRESS.SWITCH 604.91 0,5-5MB+RAST	13020502		•	•			•	•														
	AIR PRESS.SWITCH 604.92 1-10MB+RAST	13020722							•	•													
0029	HOSE D4/7 L500 SILICONE	13015497		•	•			•	•														
0030	COVER ORANGE 327X322X220/NC12-21 2 ST.	13018036		•	•			•	•														
0031	FRONT COVER	13017382				•	•																
	PLATE/HOOD NC12	13017381		•	•																		
	PLATE/HOOD NC21	13017383							•	•													
0032	RESET BUTTON D25/20/13X71	13020365		•	•			•	•														
0033	FLAT HEAD SCREW M5X15	65300519		•	•			•	•														
0034	GASKET/BURNER FLANGE 176X176X8 D115	13018135		•	•			•	•														
0035	GASKET/BRAID D115X5X5-377	13020517		•	•			•	•														
0036	FIXING COLUMN K7 SG-SH/COVER	13012597		•	•			•	•														
0037	BAFFLE PLATE D74,5/24,5 8SL R +DIFF. D50	13019123		•	•																		
	BAFFLE PLATE D91/30 6SL ELECT. SIMPLE	13010020						•	•														
0038	PROPANE DIFFUSER	13018630						•	•														
	SHUTTER D57 LPG	13019125		•	•																		
0039	GAS HEAD L102 D93/30 6 BRANCH.	13010023						•	•														
	GAS HEAD L67 D72/22 +O-RING 4 BRANCH.	13010532		•	•																		
0040	IONISATION PROBE D8X80 d4 D2X27 80° F+S	13010529		•	•			•	•														
0041	IGNITION ELECTRODE D6X80 d4 D2X7 FLANGE	13010528		•	•			•	•														
0042	IGNITION CABLE D4/D4 L365 AP	13013524		•	•				•														
	IGNITION CABLE D4/D4 L510 AP (X1)	13014990				•		•	•														
0043	IONISATION CABLE D4 BAN/D4 L350	13013525		•	•				•														
	IONISATION CABLE MC4/D4 L650	13015121				•			•	•													
0044	ADJUST ROD D6 L257 M6/D5	13022192		•																			
	ADJUST ROD D6 L288 M6/D4,8	13018033						•															
	ADJUST ROD D6 L377 M6/D5	13022193							•														
	ADJUST ROD D6 L407 M6/D4,8	13018034							•		•												
0045	GAS INLET TUBE+ELBOW D22X215 T1/KN	13018027		•																			
	GAS INLET TUBE+ELBOW D22X335 T2/KL	13018028				•																	
	GAS INLET TUBE+ELBOW D30X211 T1/KN	13021643						•		•													
	GAS INLET TUBE+ELBOW D30X331 T2/KL	13020258							•		•												
0046	O-RING D30X3	13018089		•	•			•	•														



	Description	Manf. Pt. N	Type	<div style="text-align: right; border: 1px solid black; padding: 2px;"> <small>31</small> </div>																						
				1	2	3	4	5	6	7	8	9	10	11	12	13	14	15	16	17	18	From	to			
0047	CAPACITOR 5µF 2P 3mm	65325038								●	●	●	●													
	CONDENSATOR SET VG/L2 /02120/160-5µF400V	12001671		●	●	●	●																			
0048	O-RING D34,5X3,5 SET+GASKET COVER/MB407	13011111		●	●	●	●					●	●													
	O-RING KIT D34,5X3,5+D11X2/MB.412	13011114								●	●															
0049	COMPLETE COLLECTOR 1"1/4	13018623								●	●															
	COMPLETE COLLECTOR 3/4"	13018098		●	●	●	●					●	●													
0050	PRESSURE TAP R1/8	13009722		●	●	●	●		●	●	●	●	●	●												
0051	GAS VALVE MB-ZRDLE407 B01 S20 RP3/4	13010071		●	●	●	●					●	●													
	GAS VALVE MB-ZRDLE412 B01 S20 RP1 1/4	13012275								●	●															
0052	STRAINER MB.405-407	13016011		●	●	●	●					●	●													
	STRAINER MB.410-412	13016012								●	●															
0053	GAS PRESS.SWITCH GW 150 A5 5-150MB	13010078		●	●	●	●		●	●	●	●	●	●												
0054	FLANGE MB405/407 RP3/4 O-RING	13010074		●	●	●	●					●	●													
	FLANGE MB410/412 RP1 1/4	13010085								●	●															

NC12, NC16, NC21 GX207/8

Gas burners

