



# SPARE PARTS EXPLODED VIEW DUAL-FUEL BURNERS

Model

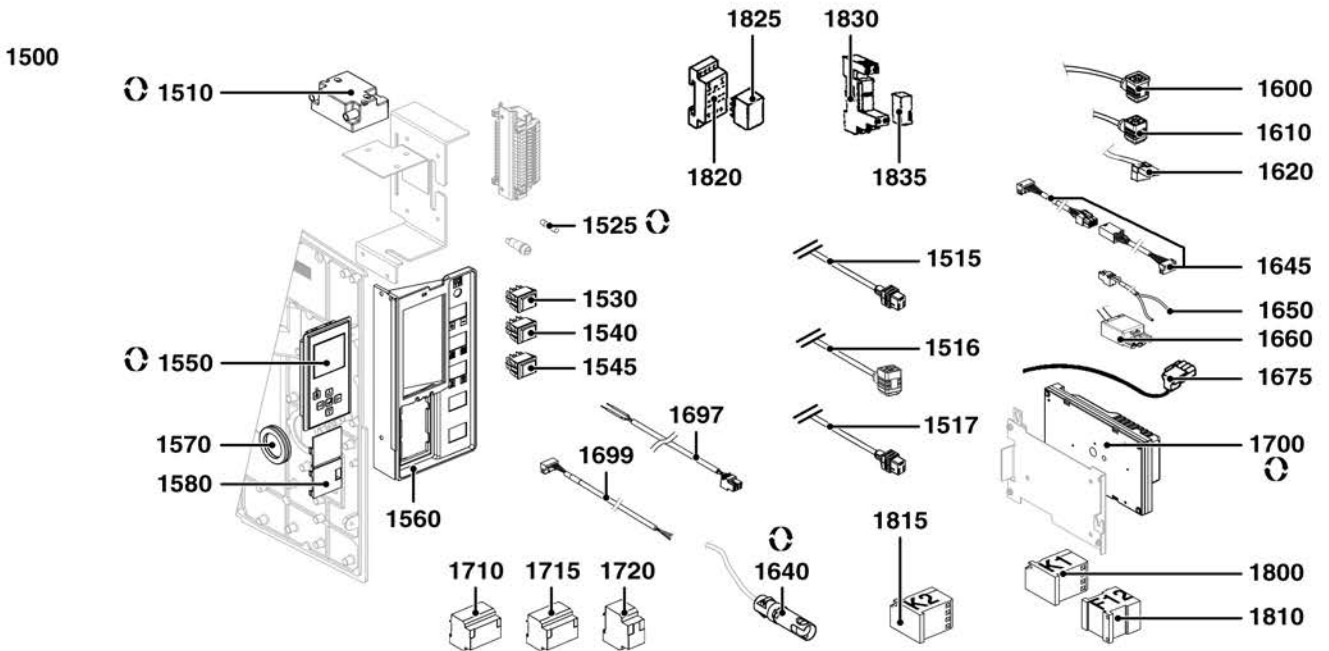
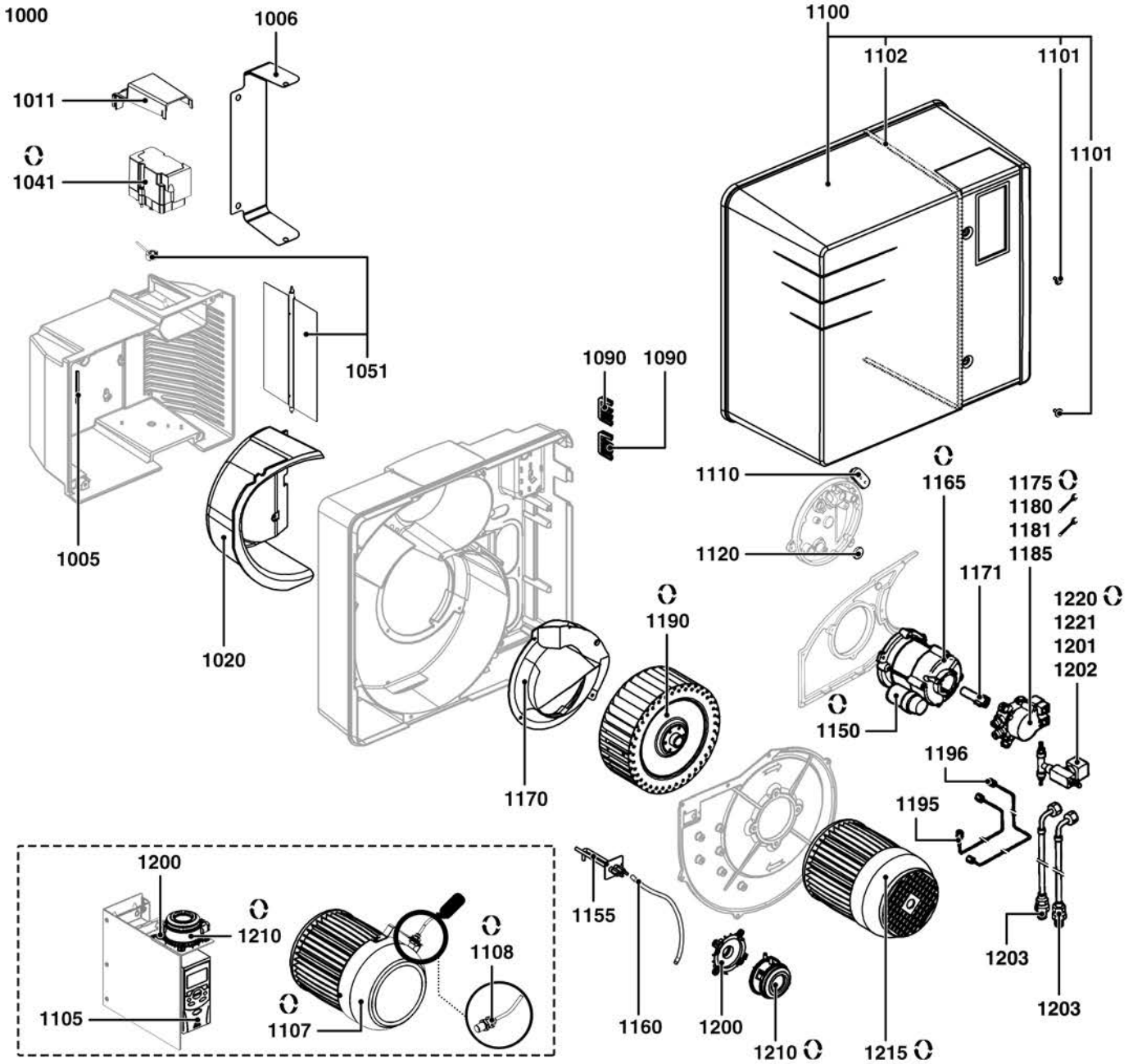
## **CB-NC75, NC100 BX9(10)17/8 /TC**


R8220338-03 - 22/11/2021

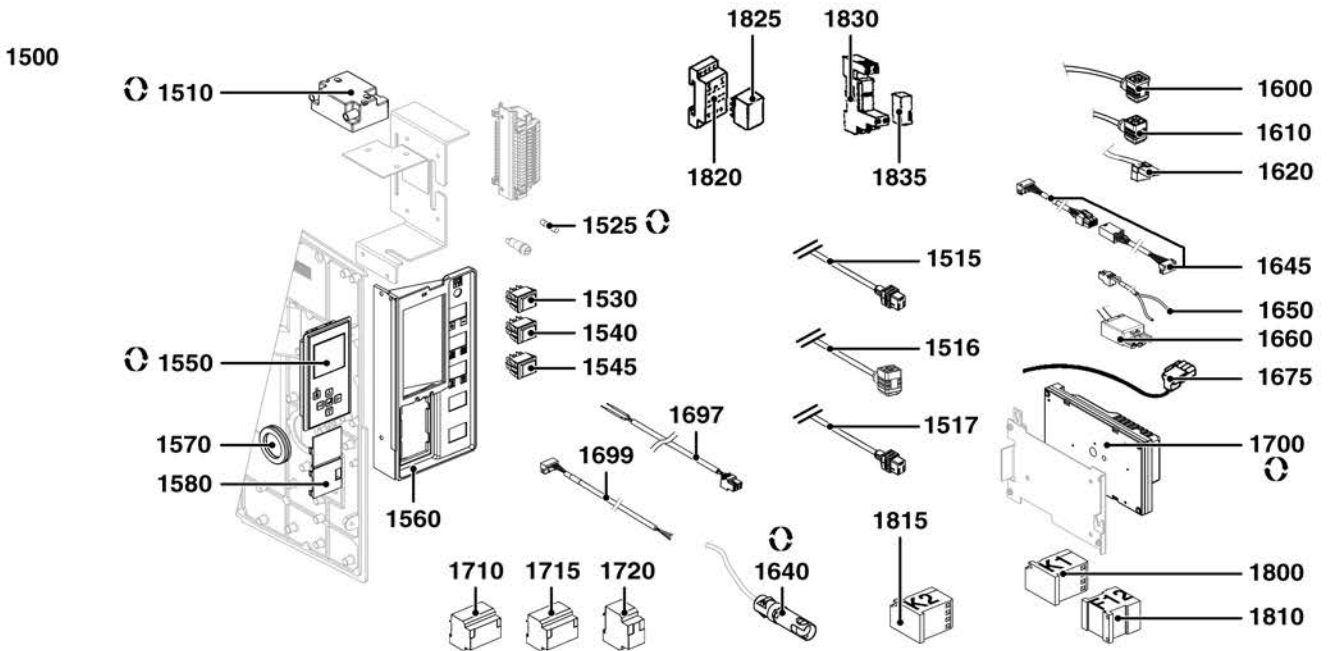
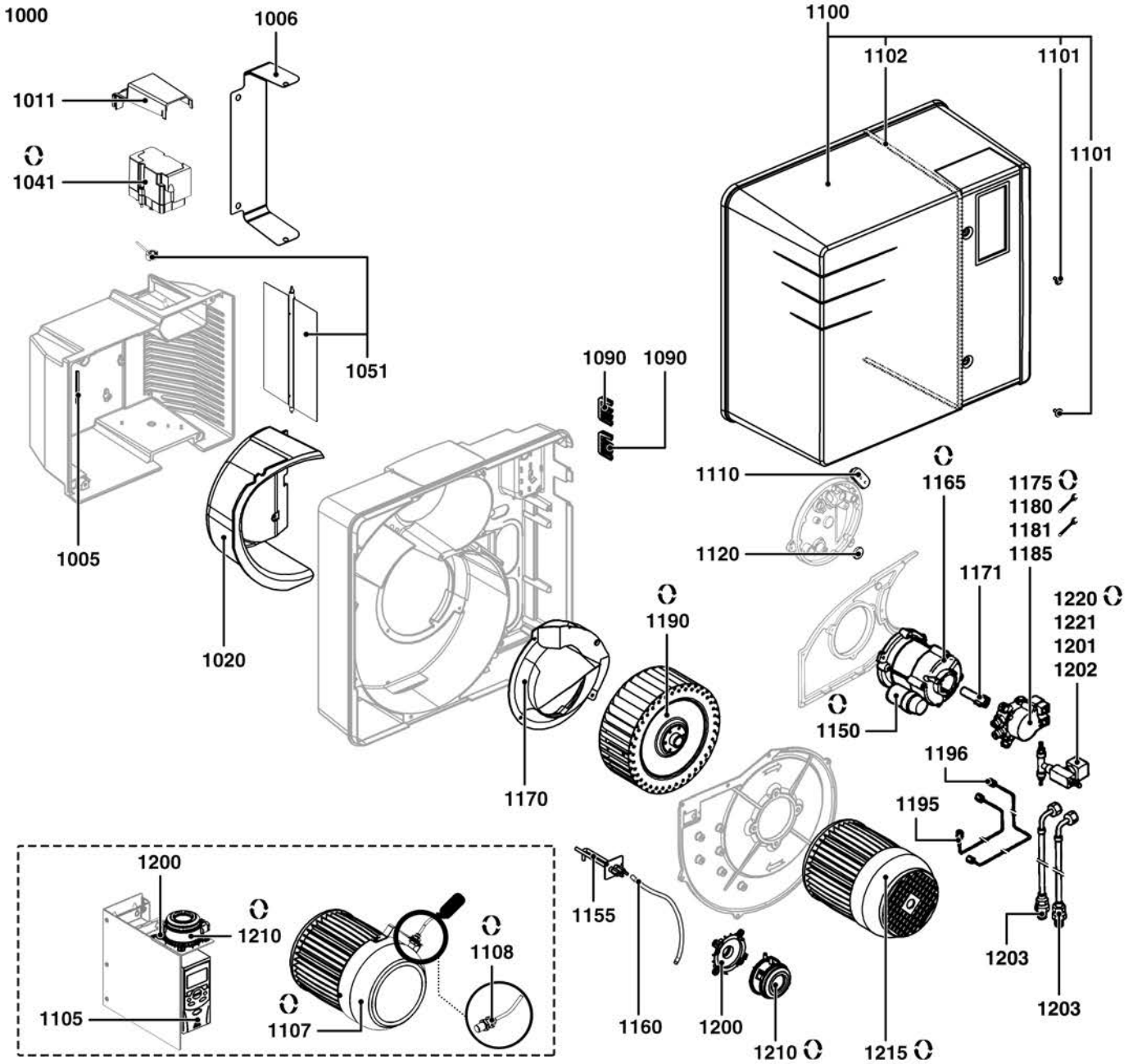
1	3836828	BB-NC 75 BX 917/8/TC	03-2019	-
2	3836832	BB-NC 75 BX 1017/8/TC	03-2019	-
3	3836829	BB-NC 100 BX 917/8/TC	03-2019	-
4	3836833	BB-NC 100 BX 1017/8/TC	03-2019	-
5	13000979	CH-D631-T1/KN	08-1998	-
6	13000980	CH-D631-T2/KL	08-1998	-
7	13000981	CH-D631-T3/KM	09-1998	-
8	13000982	CH-D632-T1/KN	09-1998	-
9	13000983	CH-D632-T2/KL	01-2010	-
10	13000984	CH-D632-T3/KM	08-1998	-
11	3833639	GT-D415-3/4"-RP1"1/4/TC	01-2013	-
12	3837118	GT - D423 - 2"-RP 2" /TC	07-2021	-
13	3834659	GT-D420-1"1/2-RP2"/TC	02-2015	-
14	3834660	GT-D421-2"-RP2"/TC	02-2015	-

Col	Reference	Model type	Begin	End
-----	-----------	------------	-------	-----

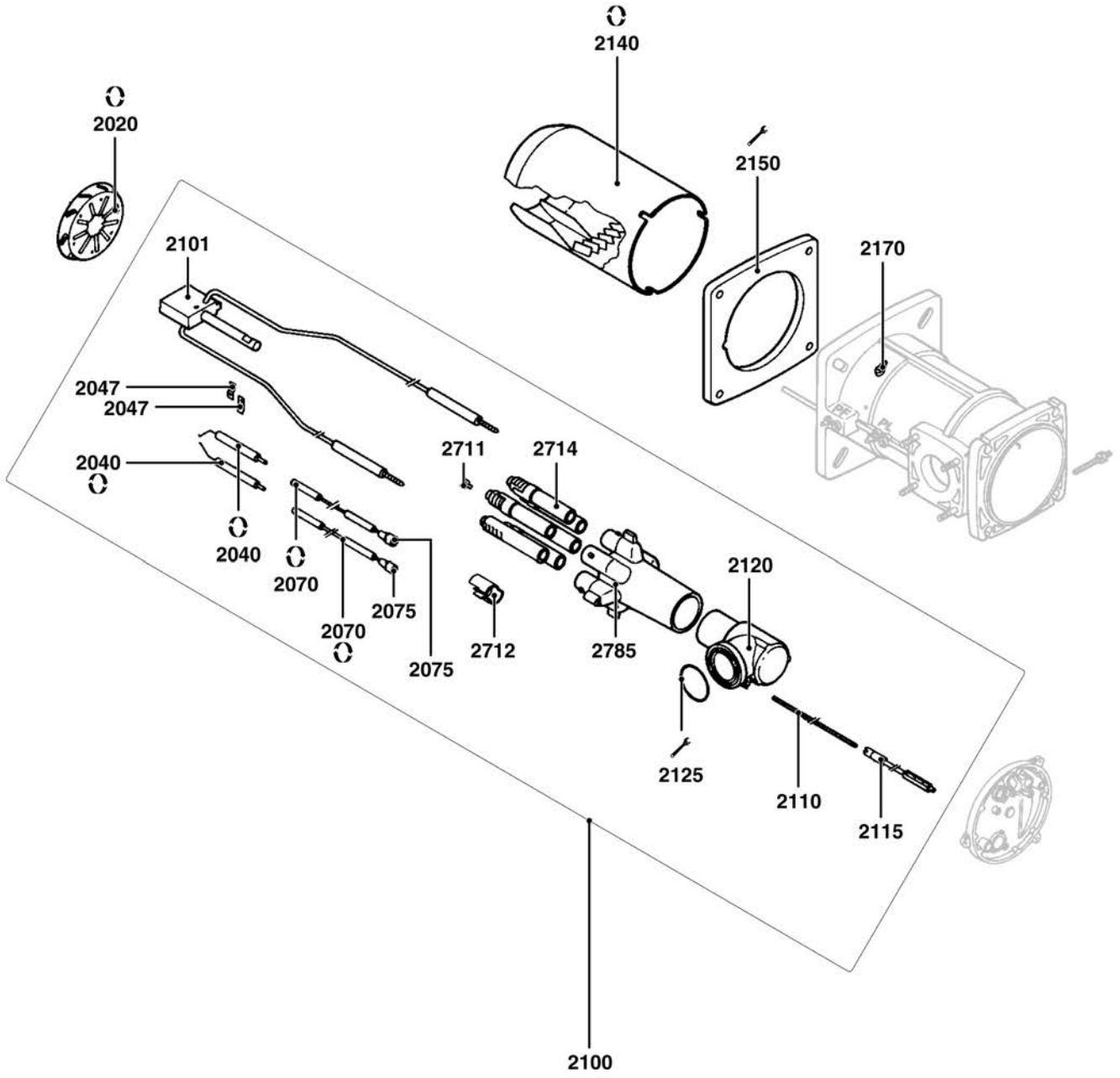


Description	Manf. Pt N	Type																		
			1	2	3	4	5	6	7	8	9	10	11	12	13	14	15	16	17	18
<b>1000 BURNER BODY</b>																				
1005 GASKET/CASING AIR109X6X7 PROFILED	13009640		•	•	•	•														
1006 AIR GUIDE 310X65X100/NC95-120/V5	65326224		•	•	•	•														
1011 COVER 169X93X67/ACTUATOR	65326223		•	•	•	•														
1020 SOUND INSULATION/AIR BOX 302X275X166/V5	13009641		•	•	•	•														
1041 ACTUATOR STE 4,5 B0.37/6-L+CABLE L900	65326229		•	•	•	•														
1051 AIR FLAP 234/228X154 + INDICATOR	65326225		•	•	•	•														
1090 CABLE GROMMET COMB 54X36X8/HOUSING	13016845		•	•	•	•														
1100 COVER GREY 590X547X476+SCREW/NC95-210	65300990		•	•	•	•														
1101 SCREW D16/M5X15 BLACK/COVER	65300519		•	•	•	•														
1102 GASKET/COVER 10X3 L1000	13009772		•	•	•	•														
1105 SPEED DRIVES ACS150 1,5KW	65326444	FQ		•		•														
1107 MOTOR 1,1KW+ROTAT. SENSOR/INVERTER	65327812	FQ		•																
MOTOR 1,5KW+ROTAT. SENSOR/INVERTER	65326447	FQ				•														
1108 SPEED SENSOR NAMUR NI5-G12-Y1+CABLE 5 MT	65312550	FQ		•																
1110 CABLE GROMMET 42X23X13 2XD3	13014004		•	•	•	•														
1120 SIGHT GLASS D20/18X10	13020327		•	•	•	•														
1150 CAPACITOR 6,3µF 2P 3mm	13010016		•	•	•	•														
1155 AIR PRESSURE DIF.PLUG ADJUTAGE D0,7 L107	13009651		•		•	•														
AIR PRESSURE DIFF.PLUG ADJUTAGE D0,7 L74	13009650		•	•																
1160 HOSE D4/7 L500 SILICONE	13015497		•	•	•	•														
1165 MOTOR 0.16KW 230V GMP	13011607		•	•	•	•														
1170 AIR RECYCL.R176/87+SPOILER H132 BLACK	13009645		•	•	•	•														
1171 COUPLING D18/14,7/11X22 PUMP/MOTOR	65074172		•	•	•	•														
1175 FUEL OIL PUMP AT2 95 C 9585 2P 0500	13019015		•	•	•	•														
1180 OIL FILTER H20-150µ /PUMP AT2-A2L	13011007		•	•	•	•														
1181 GASKET/COVER-PUMP SUN A 991523 (X10)	13010002		•	•	•	•														
1185 COIL SUN PUMP AS-AP-AL-AT-A2L	13010006		•	•	•	•														
1190 FAN WHEEL D240X82 D19	13009649		•	•	•	•														
1195 PUMP TUBE/NOZZLE LINE 1ST ST. B	13014005		•	•	•	•														
1196 PUMP TUBE/NOZZLE LINE 2ND ST. B	13014006		•	•	•	•														
1200 BRACKET AIR PRESS.SWITCH HUBA D32X10,5	13020723		•	•	•	•														
1201 CONNECTOR/VALVE G1/8	13019016		•	•	•	•														
1202 CONNECTOR G1/8	13019017		•	•	•	•														
1203 OIL HOSE DN8 G1/2M M16X38 90° L1500	13009815		•	•	•	•														
1210 AIR PRESS.SWITCH 604.92 1-10MB	65300021		•	•	•	•														
1215 MOTOR 1.1KW 230/400V D19 + PLUG	13009653		•																	
MOTOR 1.5KW 230/400V D19 + PLUG	13009654					•														
1220 SOLEN. VALVE PAR VE140.4 G1/814W	13015309		•	•	•	•														
1221 COIL PAR VE140.4 220V 14W	13015315		•	•	•	•														
<b>1500 ELECTRIC PART</b>																				
1510 IGNITION TRANSFO. EBI 2X7,5 230V	13009663		•	•	•	•														
1515 CABLE SOL.VALVE+PLUG 3P 3X0,75 L1600	65320955	V1	•	•	•	•														
1516 CABLE SOL.VALVE+PLUG DIN 3X0,75 L1700	13014008	V2	•	•	•	•														
1517 CABLE SOL.VALVE+PLUG 3P 3X0,75 L1600	65320955	V3	•	•	•	•														
1525 FUSE 5X20 F 10A 250V	65327806		•	•	•	•														
1530 SWITCH 2POS. 0 - 1 4010I1506 ML LUMINOUS	13010007		•	•	•	•														
1540 SWITCH COM 2 POS. ON-OFF 4010D1007ML	13014009		•	•	•	•														
1545 SWITCH COM 2 POS. ON-OFF 4010D1007ML	13014009		•	•	•	•														
1550 DISPLAY FOR CONTROL UNIT BT3XX	65326869		•	•	•	•														
1560 CONTROL BOARD	65300992		•	•	•	•														
1570 CABLE GROMMET DG 36 D54/47/36X10	65300993		•	•	•	•														
1580 SHUTTER 96,5X48,5/RWF	13009661		•	•	•	•														
1600 CABLE GAS P.SWITCH+P.DIN/RAST3P L2000BT3	65301060		•	•	•	•														
1610 CABLE GAS VALVE+PLUG DIN/2XRAST3P L1600	65301061		•	•	•	•														
1620 CABLE IG.TRANSFO+PLUG3P/RAST3P L600BT3xx	65301062		•	•	•	•														
1640 PHOTOCELL QRA 2 FLANGE+COLLAR	13012980		•	•	•	•														
1645 CABLE ACTUATOR STE+RAST6P/6P L1400	65301111		•	•	•	•														
1650 CABLE AIR PRES.SWITCH+RAST2P/2X0,75 L710	65300046		•	•	•	•														
1660 CABLE MOTOR+PLUG WIE. 4P 4X1,5 L560	65301000		•	•	•	•														
1675 CABLE MOTOR GMP+PLUG 3P. L1700	13009800		•	•	•	•														
1697 POWER SUPPLY CABLE BT300/ LCM100 OR F152	65326222		•	•	•	•														
1699 CABLE CONNECT. BT300/LCM100 667P0515	65312244		•	•	•	•														
1700 CONTROL UNIT LCD 941.00 BT340	65327124		•	•	•	•														
1710 LCM100 MODULE (LSB-M 667R0500-1) BT3	65311790		•	•	•	•														
1715 DFM300 MODULE (LSB-M 667R0600-1) BT3	65311791		•	•	•	•														
1720 VSM100 MODULE (LSB-M 667R0200-1) BT3	65311918	FQ	•	•	•	•														
1800 CONTACTOR LOV BG09 10 A230	65074309		•	•																
1810 THERMIC RELAY LOV RF9 3,0-5,0A	65074495		•	•																

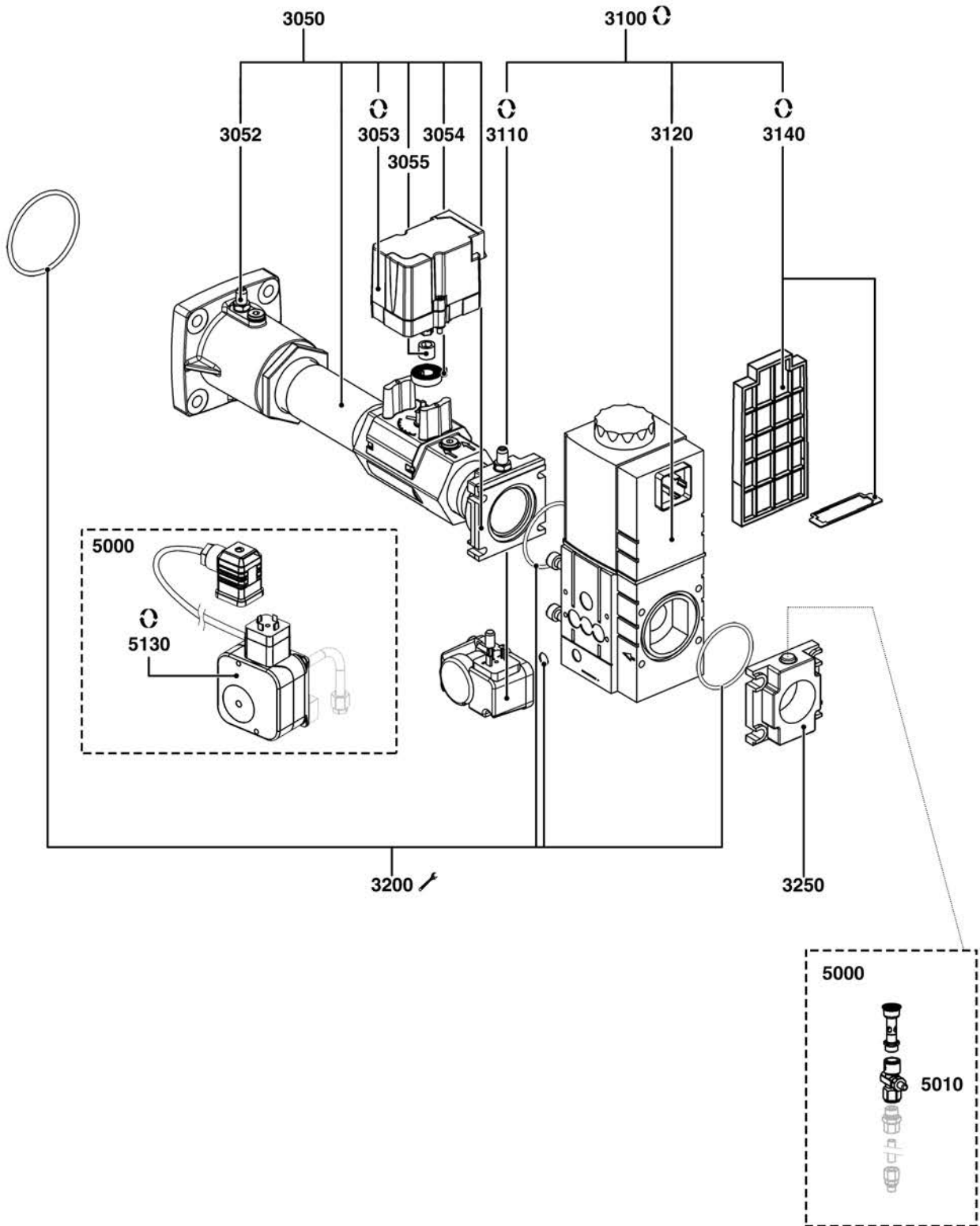


	Description	Manf. Pt N	Type	BB-NC 75 BX 9/17/8/TC BB-NC 75 BX 10/17/8/TC BB-NC 100 BX 9/17/8/TC BB-NC 100 BX 10/17/8/TC CH-D831-F1/KN CH-D831-F2/KN CH-D831-F2/KL CH-D832-F1/KN CH-D832-F2/KL GT-D41-3-A/KN GT-D42-3-1/2-RP2/TC GT-D42-3-1-RP2/TC														From	to			
				1	2	3	4	5	6	7	8	9	10	11	12	13	14			15	16	17
1815	CONTACTOR LOV BG09 10 A230	65074309	GMP	●	●	●	●															
1820	PLUG-IN BASE FIN 9474 RELAY 5534	65323150			●		●															
1825	RELAY FIN 55.34 230V 4 CONT.	65323140			●		●															
1830	BRACKET RELAY FIN 95,05 78,6X15,6X75	13017720		●	●	●	●															
1835	RELAY FIN 40.52 230V 2 CONT.	13017721		●	●	●	●															



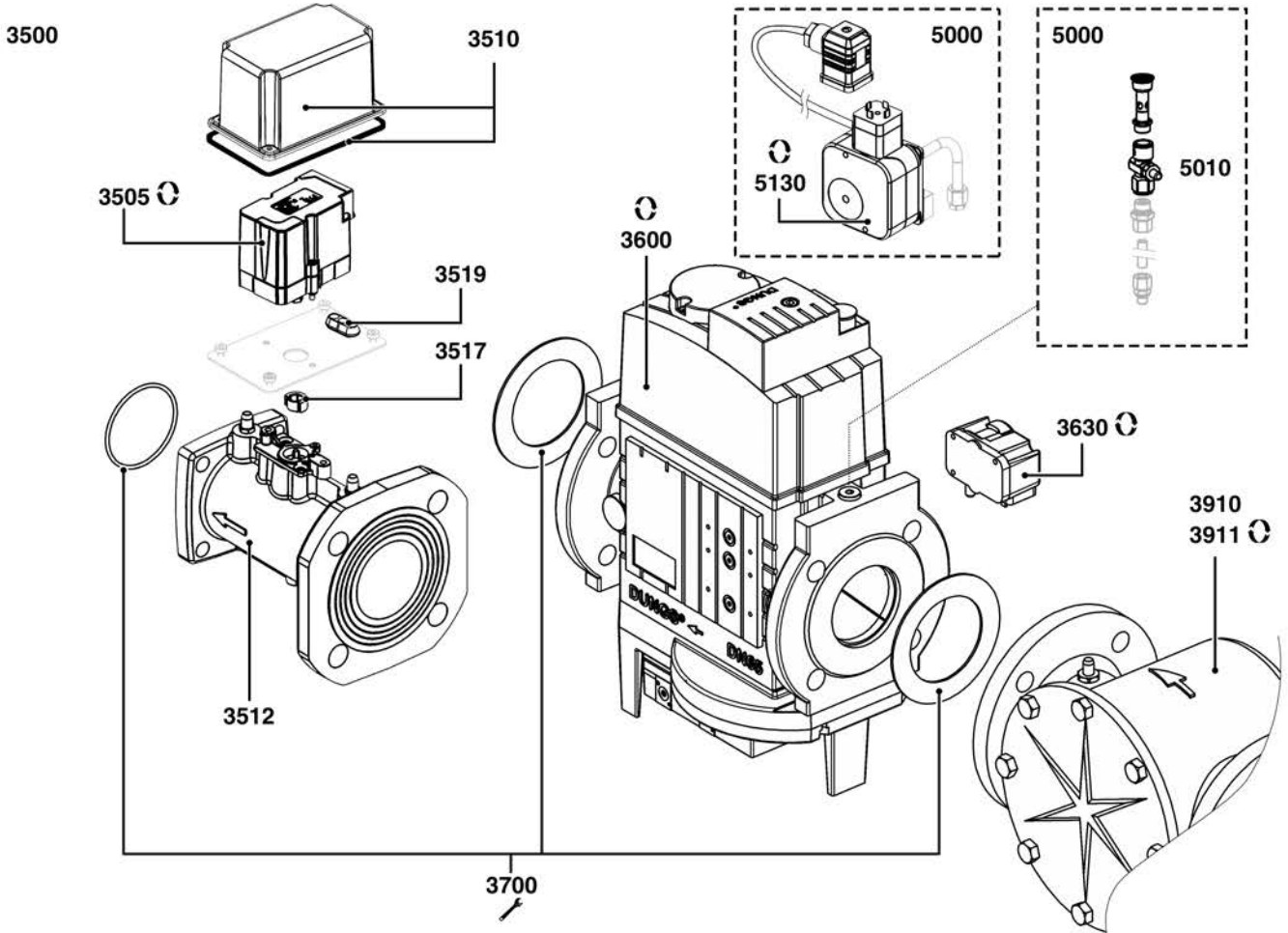
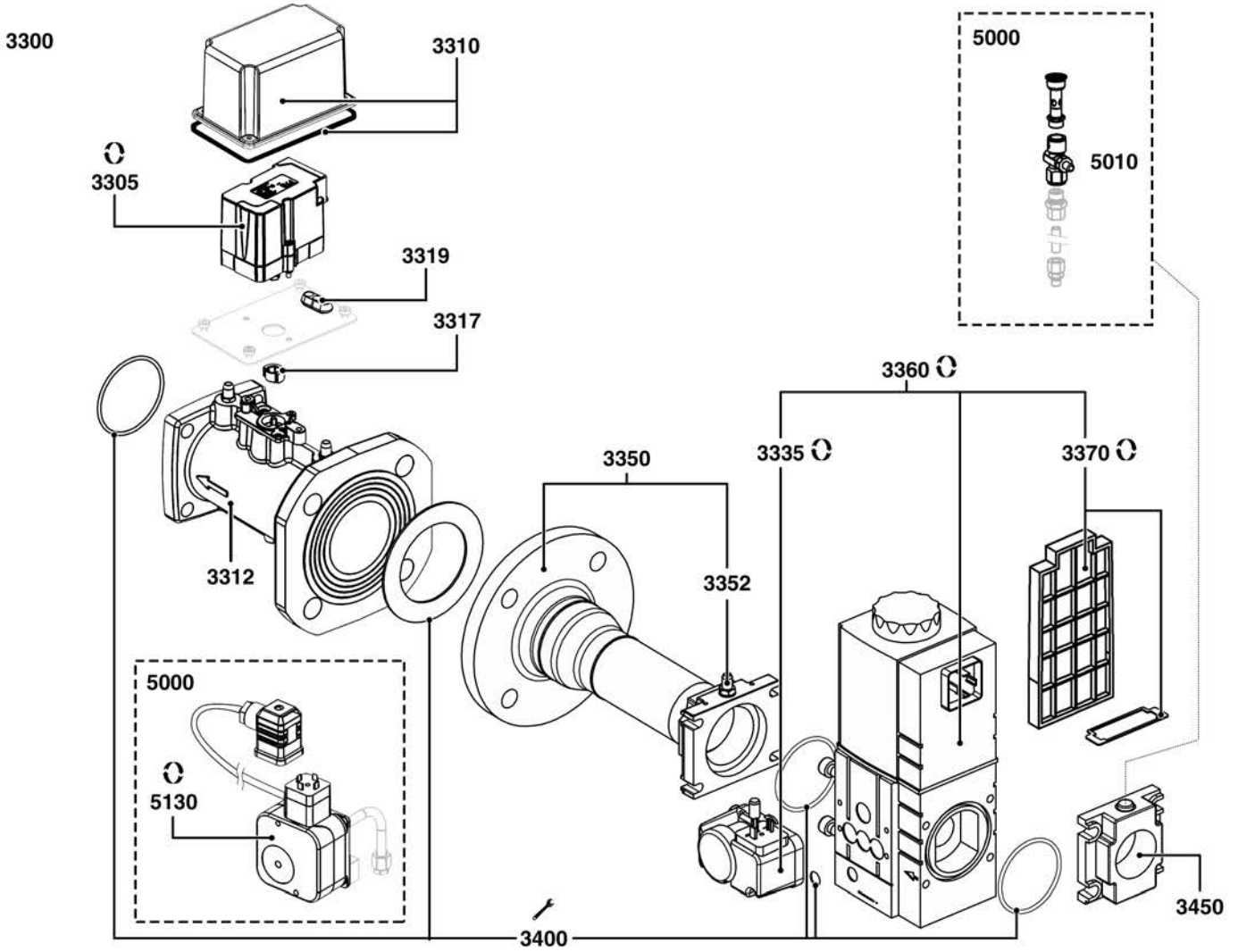


☉⇒	Description	Manf. Pt. N	Type	<div style="display: flex; justify-content: space-between; font-size: 8px; transform: rotate(-45deg);"> <span>BB-NC 75 BX 9/17/8/TC</span> <span>BB-NC 75 BX 10/17/8/TC</span> <span>BB-NC 100 BX 9/17/8/TC</span> <span>BB-NC 100 BX 10/17/8/TC</span> <span>CH-D831-T1/KN</span> <span>CH-D831-T2/KL</span> <span>CH-D831-T3/KM</span> <span>CH-D832-T1/KN</span> <span>CH-D832-T2/KL</span> <span>CH-D832-T3/KM</span> <span>GT-DA1-3-3/4"-RP 1/4/TC</span> <span>GT-DA2-3-7/8"-RP 2"/TC</span> <span>GT-DA2-1-2"-RP 2"/TC</span> </div>																		From	to
				1	2	3	4	5	6	7	8	9	10	11	12	13	14	15	16	17	18		
<b>2000</b>	<b>COMBUSTION HEAD</b>																						
2020	BAFFLE PLATE D125/40 9-9SL R 6DRIL.	13019009																					
	BAFFLE PLATE D130/40 9-9SL R 6DRIL.	13019008																					
2040	IGNIT.ELECTRODE D8X80 d6,4 D2X13 90°	13019013																					
2047	FLANGE 18X12X7 FIX.IONISATION PROBE	13010054																					
2070	IGNITION CABLE D4/D6,35 L1050	13009624																					
	IGNITION CABLE D4/D6,35 L850	13009623																					
2075	RUBBER CAP D14/6X26//IGNITION CABLE	13009625																					
2100	COMB.HEAD D.FUEL L700 D90+ELBOW L169 CPL	13019005																					
	COMB.HEAD D.FUEL L810 D90+ELBOW L279 CPL	13019007																					
	COMB.HEAD D.FUEL L920 D90+ELBOW L389 CPL	13019006																					
2101	NOZZLE ROD D12 L663 M8 2 TUBES DIST.130	13019010																					
	NOZZLE ROD D12 L773 M8 2 TUBES DIST.130	13019012																					
	NOZZLE ROD D12 L883 M8 2 TUBES DIST.130	13019011																					
2110	ADJUST ROD D10/8 L344 M10	13009635																					
	ADJUST ROD D10/8 L454 M10	13009637																					
	ADJUST ROD D10/8 L664 M10	13009636																					
2115	ADJUSTMENT SPINDLE EXTENSION	13009638																					
2120	GAS ELBOW D71/50 L120/169 90°	13009632																					
	GAS ELBOW D71/50 L120/279 90°	13009634																					
	GAS ELBOW D71/50 L120/389 90°	13009633																					
2125	O-RING D55X4	13009631																					
2140	FLAME TUBE D170/141/125 L305 TURBU.D128	13009616																					
	FLAME TUBE D170/141/125 L415 TURBU.D128	13009618																					
	FLAME TUBE D170/141/125 L525 TURBU.D128	13009617																					
	FLAME TUBE D170/141/130 L305 TURBU.D133	13009613																					
	FLAME TUBE D170/141/130 L415 TURBU.D133	13009615																					
	FLAME TUBE D170/141/130 L525 TURBU.D133	13009614																					
2150	GASKET/BURNER FLANGE 228X220X10 D180	13009619																					
2170	SCREW M6 LEFT THREAD/FLAME TUBE (X.3)	13007804																					
2711	KIT 6 SCREWS M5X6/LPG	13007041																					
2712	SHUTTER D21,8X44/22/GAS NOZZLE (6 PCS)	13010061																					
2714	GASNOZZLE D22 L174 6 SL. (6 PCS)	13015809																					
2785	GAS HEAD L119 D90/55 6 TUBES D22 D.FUEL	13019014																					





Description	Manf. Pt. N	Type	<div style="display: flex; justify-content: space-between; font-size: small; text-align: center;"> <span>BB-NC 75 BX 9/17/8/TC</span> <span>BB-NC 75 BX 10/17/8/TC</span> <span>BB-NC 100 BX 9/17/8/TC</span> <span>BB-NC 100 BX 10/17/8/TC</span> <span>CH-D631-T1/KN</span> <span>CH-D631-T2/KL</span> <span>CH-D631-T3/KM</span> <span>CH-D632-T1/KN</span> <span>CH-D632-T2/KL</span> <span>CH-D632-T3/KM</span> <span>GT-DA1-S-A-M-RP1-1/4/TC</span> <span>GT-DA2-S-2-RP2-1/4/TC</span> <span>GT-DA2-L-2-RP2-1/4/TC</span> </div>																		31			
			1	2	3	4	5	6	7	8	9	10	11	12	13	14	15	16	17	18	From	to		
<b>3000 GAS TRAIN</b>																								
3050 GAS COLLECTOR 106X106/RP1 1/2 L395+STE 4	65300978											•												
GAS COLLECTOR 106X106/RP2 2" L444+STE4	65329189											•	•											
3052 PRESSURE TAP R1/8	13009722											•	•											
3053 ACTUATOR STE 4,5 B0.37/6-R + CABLE L600	65300527											•	•											
3054 SPRING SPIRAL D35X6,5 1,2NM/ACTUATOR	13009688											•	•											
3055 RING D12,8/11,4X10/ACTUATOR	13014901											•	•											
3100 GAS VALVE MB C300 SE S22	13021869											•												
GAS VALVE MB DLE 420 B01S52	65329190												•											
3110 GAS PRESS.SWITCH GW 150 A5 5-150MB	13010078											•	•											
3120 COIL DUN N° 32/P MBC300	13022418											•												
COIL DUNGS MB-DLE 420 B01 SX2	65300708											•	•											
3140 STRAINER MBC 300	13022415											•	•											
3200 O-RING KIT D70X3+D74X3 (2)D11X2/MBC700	65300981											•	•											
3250 FLANGE MBC300 RP1 1/4	13022621											•	•											
<b>5000 ACCESSORIES</b>																								
5010 TRIAL BURNER WITH PUSH-BUTTON PB2	65311362											•	•											
5130 MAX. GAS PRES. SWITCH UB50 A2+CABLE L600	65326220	PED										•	•											



☉⇒	Description	Manf. Pt. N	Type	<div style="display: flex; justify-content: space-between; font-size: 8px; font-weight: bold;"> <span>BB-NC 75 BX 9/17/8/TC</span> <span>BB-NC 75 BX 10/17/8/TC</span> <span>BB-NC 100 BX 9/17/8/TC</span> <span>BB-NC 100 BX 10/17/8/TC</span> <span>CH-D631-T1/KN</span> <span>CH-D631-T2/KL</span> <span>CH-D631-T3/KM</span> <span>CH-D632-T1/KN</span> <span>CH-D632-T2/KL</span> <span>CH-D632-T3/KM</span> <span>GT-DA1-3-3/4"-RP1-1/4/TC</span> <span>GT-DA2-3-2"-RP2-1/4/TC</span> <span>GT-DA2-1-2"-RP2-1/4/TC</span> </div>																		From	to
				1	2	3	4	5	6	7	8	9	10	11	12	13	14	15	16	17	18		
<b>3300</b>	<b>GAS TRAIN</b>																						
3305	ACTUATOR STE 4,5 B0.37/6-R + CABLE L600	65300527																					
3310	COVER 125X79X73/ACTUATOR STE 4,5	65312327																					
3312	GASFLAP 164X164 DN65 L200	65301268																					
3317	ROTATION STOP F. SHAFT STE4.5 0.8NM	65301267																					
3319	CABLE GROMMET 34X15 D6,2	65312458																					
3335	GAS PRESS.SWITCH GW 150 A5 5-150MB	13010078																					
3350	GAS COLLECTOR DN65/RP2 L248	13009693																					
3352	PRESSURE TAP R1/8	13009722																					
3360	GAS VALVE MBC1200 SE S82 RP2+GPS GW150	65300008																					
	GAS VALVE MBC700 SE S82 RP1 1/2+GW150	13022996																					
3370	STRAINER MBC 1200	13022417																					
	STRAINER MBC 700	13022416																					
3400	O-RING KIT D70+D74X3+D115/77/MBC700-1200	65301065																					
3450	FLANGE MB415/420 RP1 1/2 + PRES.PLUG	65322637																					
<b>5000</b>	<b>ACCESSORIES</b>																						
5010	TRIAL BURNER WITH PUSH-BUTTON PB2	65311362																					
5130	MAX. GAS PRES. SWITCH UB50 A2+CABLE L600	65326220	PED																				

# ADDRESSES

[www.bosch.com](http://www.bosch.com)



# DESCRIZIONE DEI RIFERIMENTI SCHEMATICI

- = **Chiave** / **Key** / **Clé**
- = **Caratteristica** / **Feature** / **Caractéristique**
- = **Linea** / **Line** / **Ligne**

# NUMEROSI IDENTIFICATIVI

## SERIE IDENTIFICATIVE

**10 Characters :** YYMM-000000

10 Characters : YYMM-000000

- YY: Year of manufacture
- MM: Month of manufacture
- 000000: Sequential number

**10 Characters :** YYMM-000000

10 Characters : YYMM-000000

- YY: Year of manufacture
- MM: Month of manufacture
- 000000: Sequential number

**AE 2021**  
**AG 2022**  
**AH 2023**  
**etc ...**

**21 → 2021**  
**22 → 2022**  
**23 → 2023**  
**24 → 2024**  
**25 → 2025**  
**26 → 2026**  
**etc ...**

Read the instructions for use and the technical data carefully before starting the installation and use. The instructions for use and the technical data are available on the website [www.bosch.com](http://www.bosch.com). The instructions for use and the technical data are also available in the user manual. The instructions for use and the technical data are also available in the user manual. The instructions for use and the technical data are also available in the user manual.