

SPARE PARTS EXPLODED VIEW OIL BURNER

Model

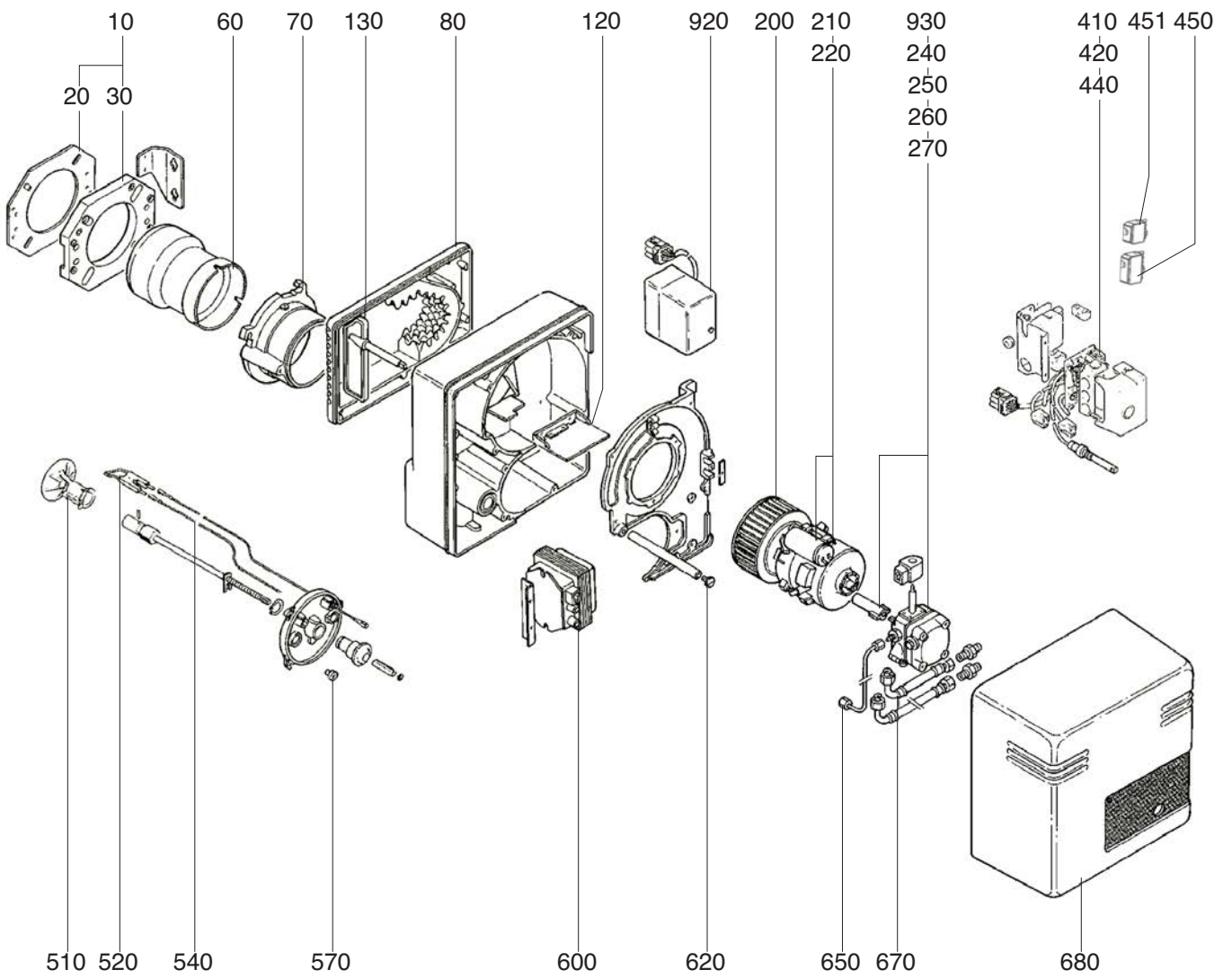
C10-C14-C22 H201

R8220205-01 - 27/04/2017

C10-22 H201 T1-T2

Oil burner

1	0201701	C10 H201 T1	01-1984	01-2005
1	0201711	C10 H201 T1	01-1984	01-2005
2	0201702	C10 H201 T2	01-1984	01-2005
2	0201712	C10 H201 T2	01-1984	01-2005
3	0201703	C14 H201 T1	01-1984	01-2005
3	0201713	C14 H201 T1	01-1984	01-2005
4	0201704	C14 H201 T2	01-1984	01-2005
4	0201714	C14 H201 T2	01-1984	01-2005
5	0201705	C22 H201 T1	01-1984	06-1999
6	0201706	C22 H201 T2	01-1984	06-1999
Col	Reference	Model type	Begin	End



☉⇒	Description	Manf. Pt. N	Type	<div style="display: flex; justify-content: space-between; align-items: center;"> <div style="writing-mode: vertical-rl; transform: rotate(180deg);">C10-H201 T1</div> <div style="writing-mode: vertical-rl; transform: rotate(180deg);">C10-H201 T2</div> <div style="writing-mode: vertical-rl; transform: rotate(180deg);">C14-H201 T1</div> <div style="writing-mode: vertical-rl; transform: rotate(180deg);">C14-H201 T2</div> <div style="writing-mode: vertical-rl; transform: rotate(180deg);">C22-H201 T1</div> <div style="writing-mode: vertical-rl; transform: rotate(180deg);">C22-H201 T2</div> </div>																		<div style="border: 1px solid black; padding: 2px;"> 0-0 31 </div>	
				1	2	3	4	5	6	7	8	9	10	11	12	13	14	15	16	17	18	From	to
0010	BOILER ACCESSORY D110 WIELAND PLUG 7P.	13015508		●	●																		
	BOILER ACCESSORY D126 WIELAND PLUG 7P.	13012383				●	●	●	●														
0020	GASKET/BURN.FLANGE 180X155X10 D110 WHITE	13012386		●	●																		
	GASKET/BURNER FLANGE 215X175X8 D126	13009973				●	●	●	●														
0030	BURNER FLANGE D126 EXT.D180X220	13010000				●	●	●	●														
0060	FLAME TUBE D115/96/90 L148	13019153				●		●															
	FLAME TUBE D115/96/90 L268	13018549					●		●														
	FLAME TUBE D78/100 L145	13015986		●																			
0070	BURNER FIXING HEAD D100 L83	13019617		●	●																		
	BURNER FIXING HEAD D115	13018802				●	●	●	●														
0080	AIR BOX 336X229X70+INSULATION	13011570						●	●														
0120	AIR FLAP DEPRESSION	13016783						●	●														
	AIR FLAP DEPRESSION	13016782		●	●	●	●																
0130	AIR FLAP 106X57 SPINDLE LOW.L48+UPP.L92	13005127						●	●														
	AIR FLAP 154X44 SPINDLE D10 L98	13012391		●	●	●	●																
0200	FAN WHEEL D137 X52 D12,7	13012393		●	●	●	●																
	FAN WHEEL D160 X52 D12,7	13010095						●	●														
0210	MOTOR 0,095KW230V D12,7	13020329		●	●	●	●																
	MOTOR 0,16KW230V D12,7	13009981						●	●														
0220	CAPACITOR 4µF 2P 3mm	13011117		●	●	●	●																
	CAPACITOR 5µF 2P 3mm	65325038						●	●														
	CAPACITOR 5µF 4P 6,4mm	13023330		●	●	●	●																
0240	COUPLING D18/14,7/11X22 PUMP/MOTOR	65074172		●	●	●	●	●	●														
0250	COIL SUN PUMP AS-AP-AL-AT-A2L	13010006		●	●	●	●	●	●														
0260	KIT FILTER D20 SUN PUMP A 47/57/67	13010468		●	●	●	●	●	●														
0270	GASKET/COVER-PUMP SUN A 991523 (X10)	13010002		●	●	●	●	●	●														
0410	CONTROL UNIT LOA 24.171 B2EM	65320028		●	●	●	●	●	●														
0420	PLUG-IN BASE.L&G AGK11	13011794		●	●	●	●	●	●														
0440	PHOTOCELL QRB 1B A042B20B L400	13012976		●	●	●	●	●	●														
0450	WIELAND PLUG 7P SILK-SCREEN PRINTED	13010523		●	●	●	●	●	●														
0451	WIELAND PLUG 4P.MALE GREEN	13009667		●	●	●	●	●	●														
0510	BAFFLE PLATE D78/20 6SL L	13018140		●	●																		
	BAFFLE PLATE D90/20X79 6SL R	13009987				●	●	●	●														
0520	ELECTROD.BLOC.25X48 D4D1,5X22 45° +SCREW	13007907				●	●	●	●														
	ELECTRODE BLOCK 25X48 d4 D1,5X19 52°	13011119		●	●																		
0540	IGNITION CABLE D4/D4 L625 TEFLON	13015369		●	●	●	●	●	●														
0570	RUBBER FUNNEL BLACK D2,3/9	13010058		●	●	●	●	●	●														
0600	KIT REPLACE IGNITION TRANSF.ZM20/10 L420	65301258		●	●	●	●	●	●														
0620	SCREW FIXING COVER D16 M5X15	13009657		●	●	●	●	●	●														
0650	OIL HOSE DASH03-BANJO-3/8JIC L300	13021221		●	●	●	●	●	●														
0670	OIL HOSE L 1150 BY 2 UNITS	13007937		●	●	●	●	●	●														
0680	COVER HOUSING C 22	13015654						●	●														
	COVER HOUSING C10-C14	13015657			●	●	●																
0920	ACTUATOR LKS 131.03 4,5S	13015378		●	●	●	●	●	●														
0930	OIL PUMP AT2 45 D 9513	13009984		●	●	●	●	●	●														

C10-22 H201 T1-T2

Oil burner

