



SPARE PARTS EXPLODED VIEW GAS BURNERS

Model

CB-NC95-120-G9A/TC (/PED)

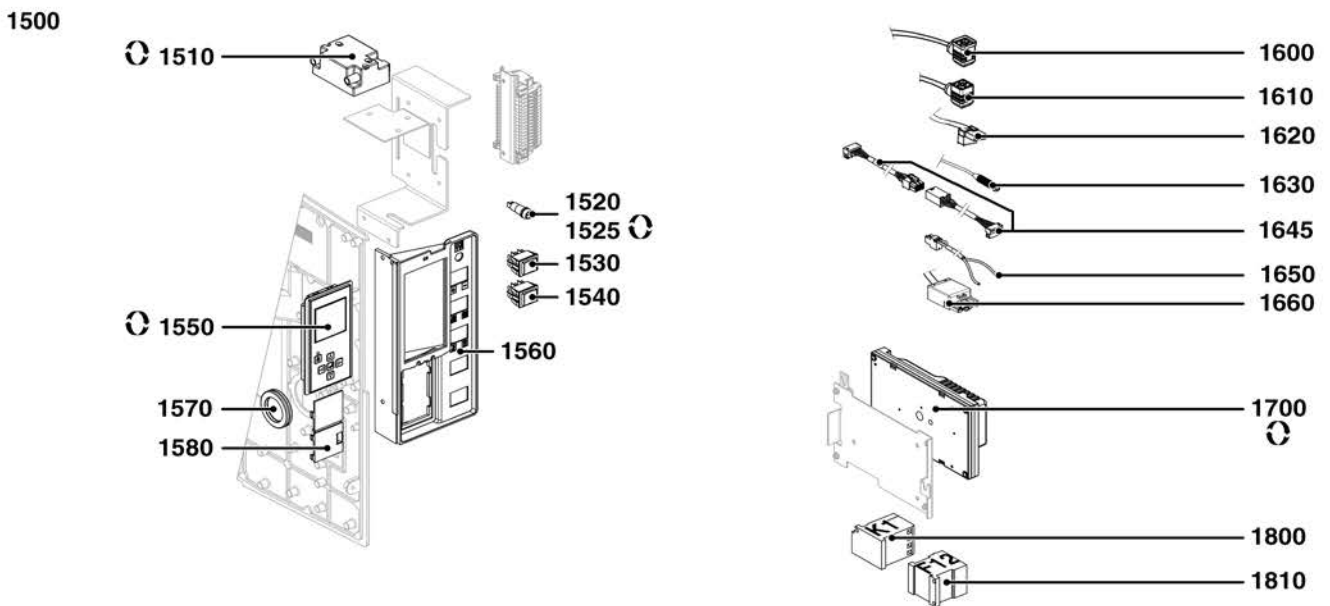
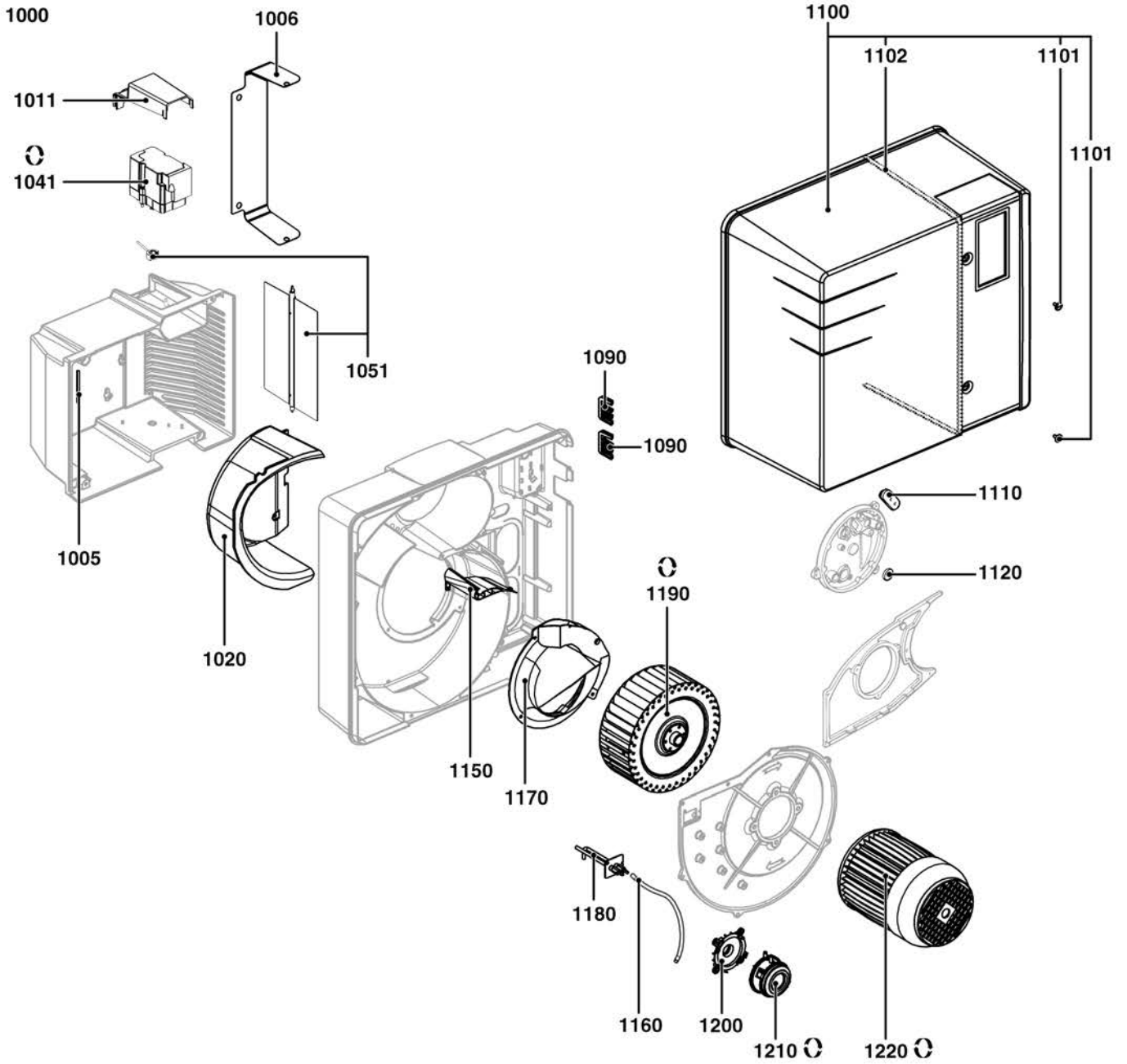
R8220164-02 - 06/07/2021

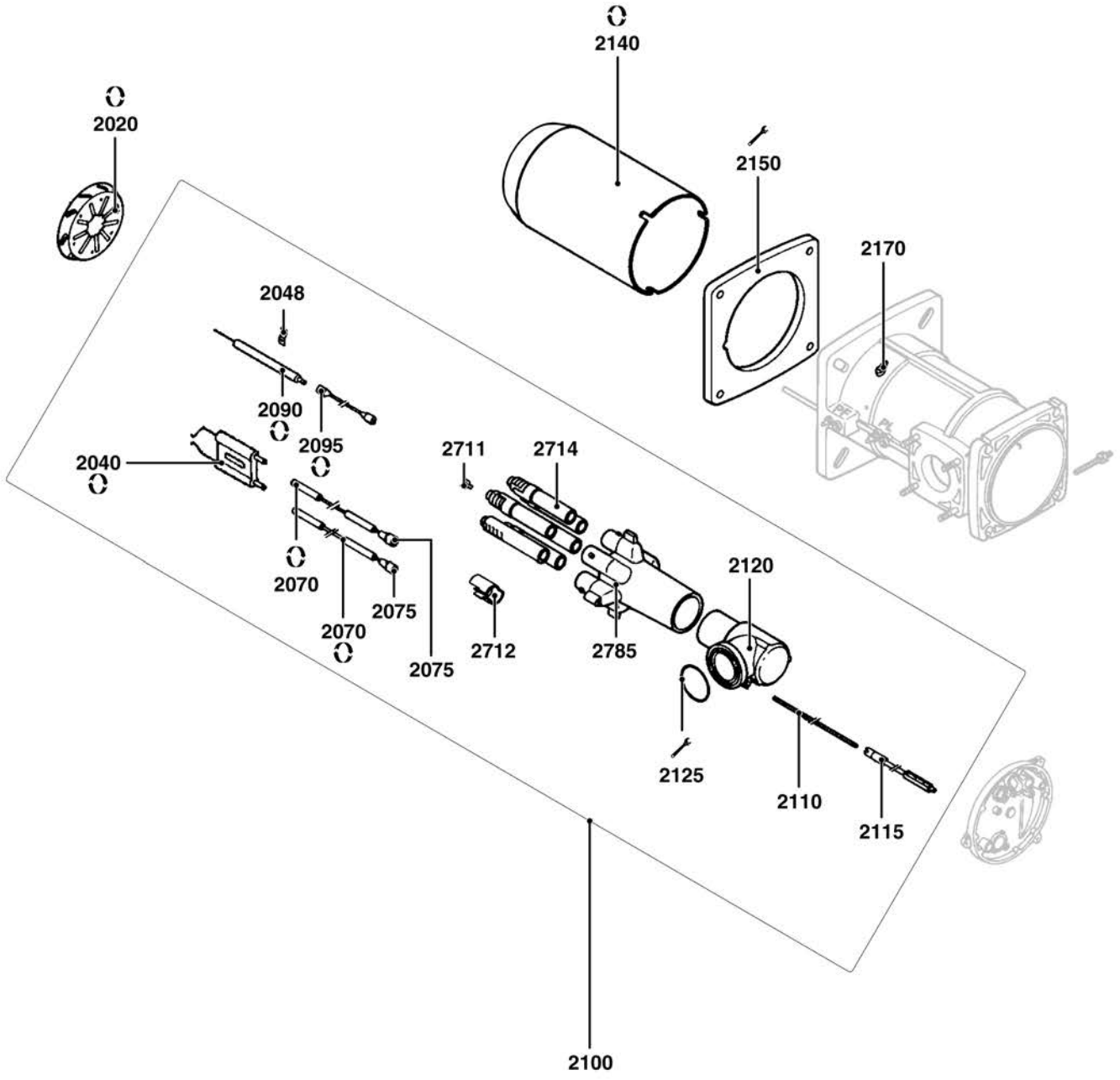
CB-NC95-120-G9A/TC (/PED)

Gas burners

1	3834720	BB-NC95 G907/8A /TC	01-2016	-
2	3834732	BB-NC95 G907/8A/TC/PED	01-2016	-
3	3834721	BB-NC120 G907/8A /TC	01-2016	-
4	3834733	BB-NC120 G907/8A/TC/PED	01-2016	-
5	3835823	CH-G0633 – T1/KN	01-2016	-
6	3835824	CH-G0633 – T2/KL	01-2016	-
7	3835825	CH-G0633 – T3/KM	01-2016	-
8	3835826	CH-G0634 – T1/KN	01-2016	-
9	3835827	CH-G0634 – T2/KL	01-2016	-
10	3835828	CH-G0634 – T3/KM	01-2016	-
11	3833639	GT-D415-3/4"-RP1"1/4/TC	01-2013	-
12	3834659	GT-D420-1"1/2-RP2"/TC	02-2015	-
13	3834660	GT-D421-2"-RP2"/TC	02-2015	-
14	3834661	GT-D422-65-DN65 /TC	02-2015	-
15	3834662	GT-S42-65-DN65/TC	02-2015	-

Col	Reference	Model type	Begin	End
-----	-----------	------------	-------	-----

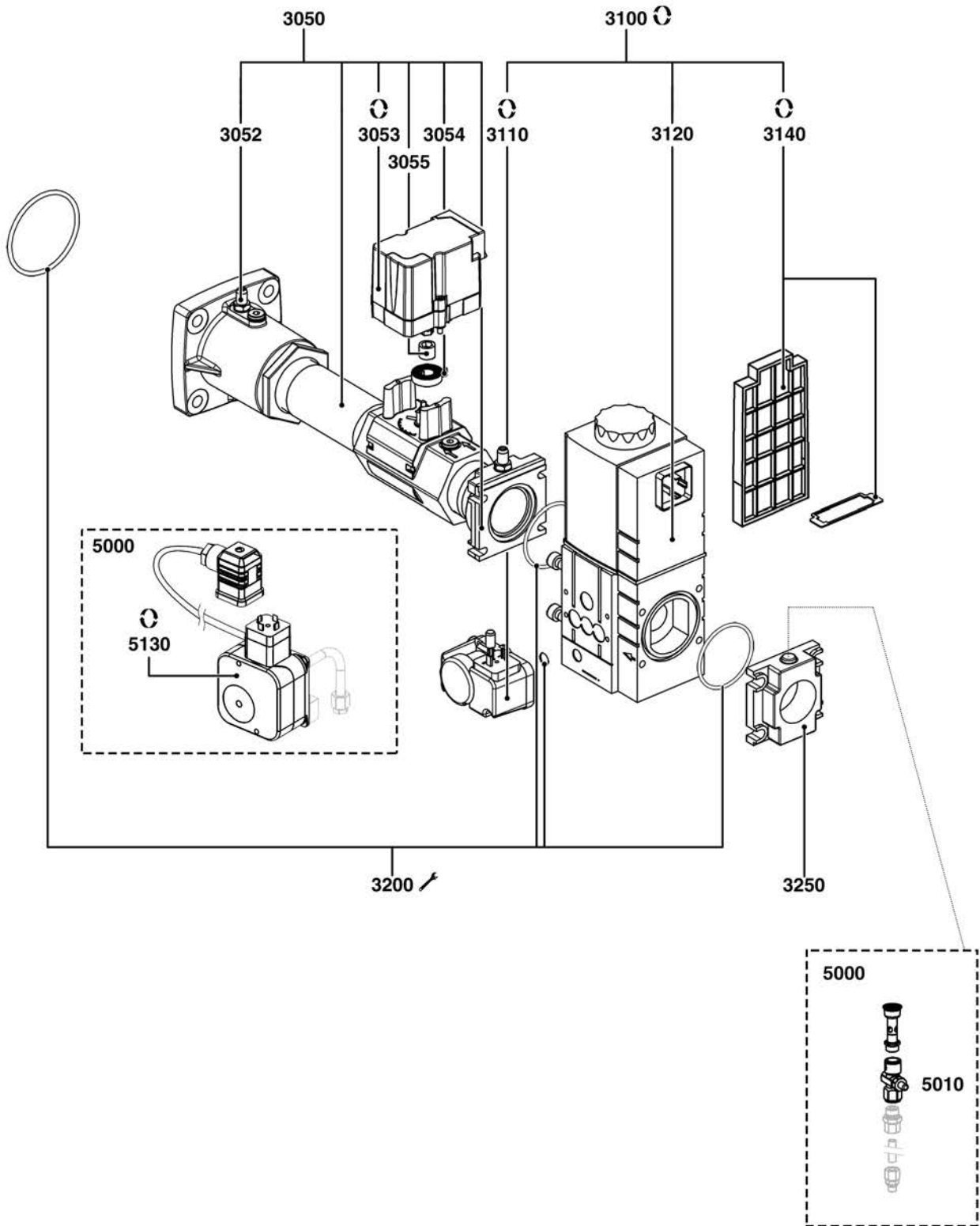




☉⇒	Description	Manf. Pt. N	Type	<div style="display: flex; justify-content: space-between; font-size: 8px; text-align: center;"> BB-NC95 G907/8A /TC BB-NC95 G907/8A /TC/PED BB-NC120 G907/8A /TC BB-NC120 G907/8A /TC/PED CH-G90933 - 11/KN CH-G90933 - 12/KNL CH-G90934 - 13/KNM CH-G90934 - 11/KN CH-G90934 - 12/KNL GT-8415 - 3/4-Rp1 1/4 /TC GT-D420-1 1/2-RP2 /TC GT-D422-2-RP2 /TC GT-S42-65-DN65 /TC GT-S42-85-DN65 /TC </div>																		From	to
				1	2	3	4	5	6	7	8	9	10	11	12	13	14	15	16	17	18		
2000	COMBUSTION HEAD																						
2020	BAFFLE PLATE D115/40X13,5 9SL. 6DRIL	65326674								●	●	●											
	BAFFLE PLATE D125/40 9SL R 6DRIL.	13009612						●	●	●													
2040	ELECTROD.BLOC.27X55 d6,4 D2X23 45°+SCREW	13009726						●	●	●	●	●	●										
2048	FLANGE 18X12X7 FIX.IONISATION PROBE	13010054						●	●	●	●	●	●										
2070	IGNITION CABLE D4/D6,35 L1050	13009624								●	●	●	●										
	IGNITION CABLE D4/D6,35 L850	13009623						●			●												
2075	RUBBER CAP D14/6X26//IGNITION CABLE	13009625						●	●	●	●	●	●										
2090	IONISATION PROBE D8X120 d6,4 D4X36	13009626						●	●	●	●	●	●										
2095	IONISATION CABLE MC4/D6,35 L1050	13009628								●	●	●	●										
	IONISATION CABLE MC4/D6,35 L750	13009627						●			●												
2100	COMB.HEAD GAS L288 D90 CPL.	13010064						●			●												
	COMB.HEAD GAS L398 D90 CPL.	13010066								●													
	COMB.HEAD GAS L508 D90 CPL.	13010065							●			●											
2110	ADJUST ROD D10/8 L344 M10	13009635						●			●												
	ADJUST ROD D10/8 L454 M10	13009637								●				●									
	ADJUST ROD D10/8 L664 M10	13009636							●			●											
2115	ADJUSTMENT SPINDLE EXTENSION	13009638						●	●	●	●	●	●										
2120	GAS ELBOW D71/50 L120/169 90°	13009632						●															
	GAS ELBOW D71/50 L120/279 90°	13009634								●													
	GAS ELBOW D71/50 L120/389 90°	13009633							●			●											
2125	O-RING D55X4	13009631						●	●	●	●	●	●										
2140	FLAME TUBE D170,8/141 L305	65326667									●												
	FLAME TUBE D170,8/141 L415	65326669																	●				
	FLAME TUBE D170,8/141 L525	65326668																	●				
	FLAME TUBE D170/141/125 L305	13011601						●															
	FLAME TUBE D170/141/125 L415	13011603								●													
	FLAME TUBE D170/141/125 L525	13011602							●														
2150	GASKET/BURNER FLANGE 228X220X10 D180	13009619						●	●	●	●	●	●										
2170	SCREW M6 LEFT THREAD/FLAME TUBE (X.3)	13007804						●	●	●	●	●	●										
2711	KIT 6 SCREWS M5X6 D2 INT./NATURAL GAS	13010062						●	●	●	●	●	●										
	KIT 6 SCREWS M5X6/LPG	13007041						●	●	●	●	●	●										
2712	SHUTTER D21,8X44/22/GAS NOZZLE (6 PCS)	13010061						●	●	●	●	●	●										
2714	GASNOZZLE D22 L174 6 SL. (6 PCS)	13010063						●	●	●	●	●	●										
2785	GAS HEAD L119 D90/55 6 TUBES D22	13009630						●	●	●	●	●	●										

CB-NC95-120-G9A/TC (/PED)

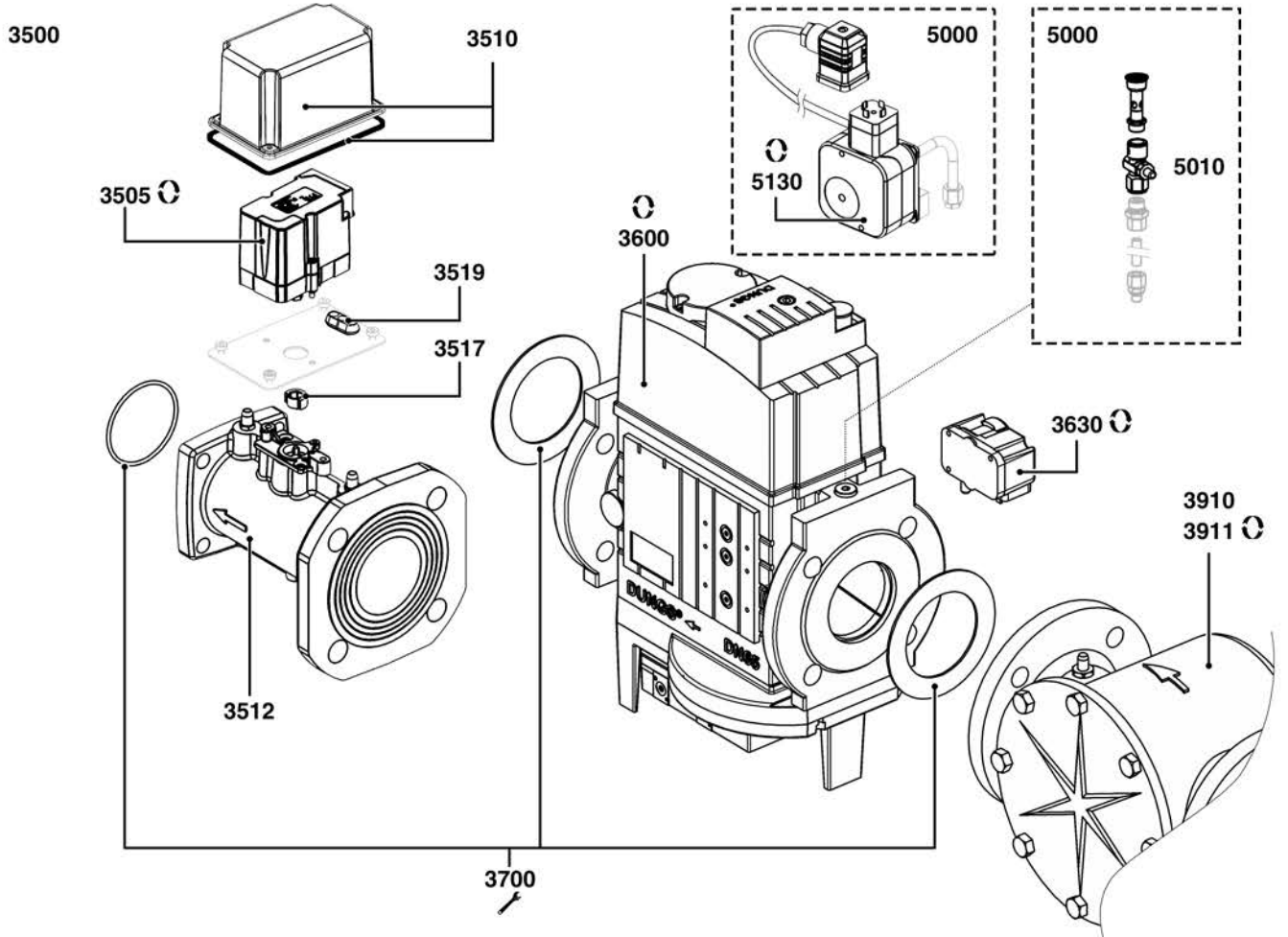
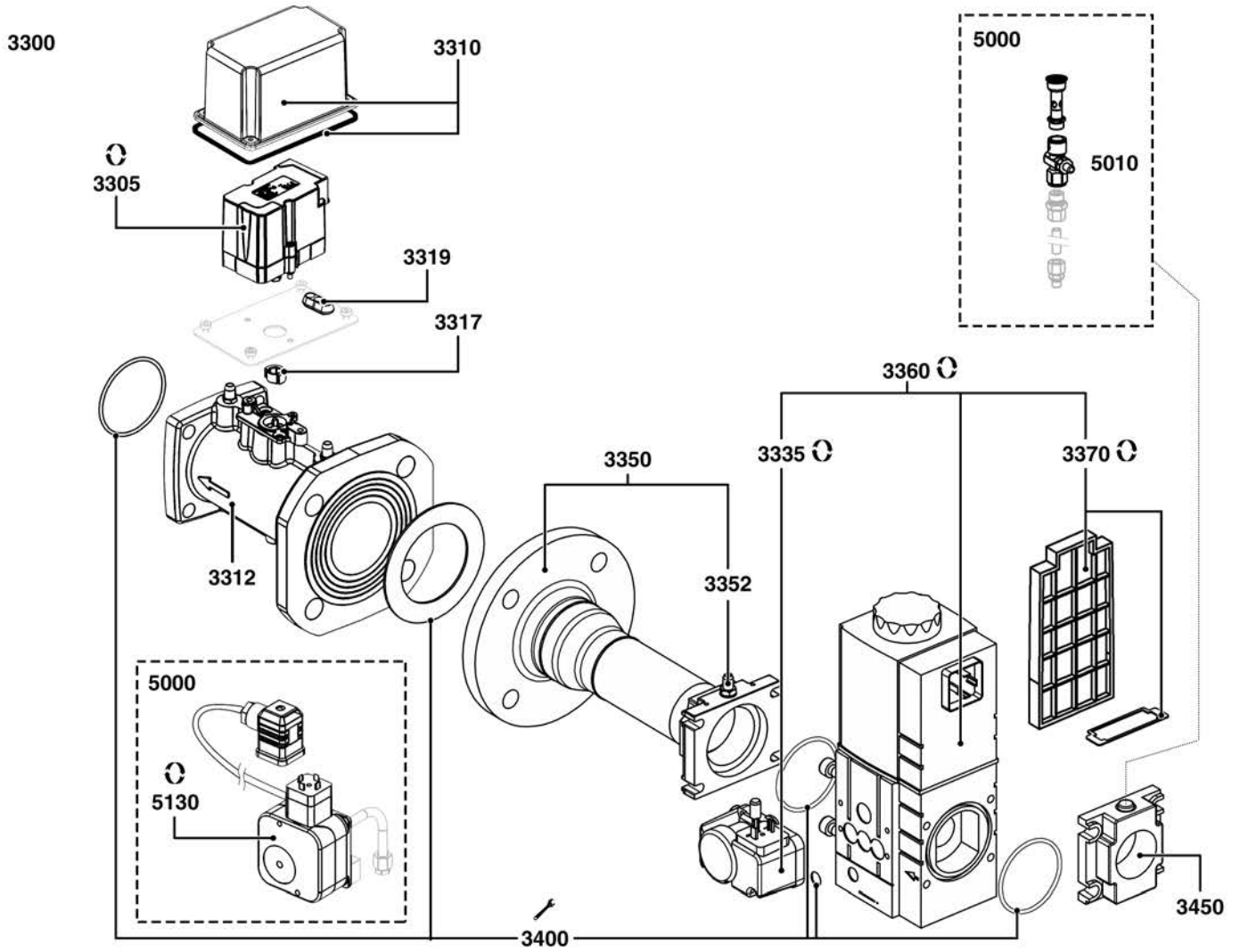
Gas burners



☉⇒	Description	Manf. Pt. N	Type	BB-NC95 G907/8A /TC BB-NC95 G907/8A /TC/PED BB-NC120 G907/8A /TC BB-NC120 G907/8A /TC/PED CH-G0933 - 11/KN CH-G0933 - 12/KN CH-G0933 - 13/KN CH-G0934 - 11/KN CH-G0934 - 12/KN CH-G0934 - 13/KN GT-8415 - 3/4-RP1 1/4 /TC GT-DM2-1 1/2-RP2 /TC GT-DM2-2-RP2 /TC GT-S42-65-DN65 /TC																		From	to
				1	2	3	4	5	6	7	8	9	10	11	12	13	14	15	16	17	18		
3000	GAS TRAIN																						
3050	GAS COLLECTOR 106X106/RP1 1/2 L395+STE 4	65300978										●											
3052	PRESSURE TAP R1/8	13009722										●											
3053	ACTUATOR STE 4,5 B0.37/6-R + CABLE L600	65300527										●											
3054	SPRING SPIRAL D35X6,5 1,2NM/ACTUATOR	13009688										●											
3055	RING D12,8/11,4X10/ACTUATOR	13014901										●											
3100	GAS VALVE MBC300 SE S22	13021869										●											
3110	GAS PRESS.SWITCH GW 150 A5 5-150MB	13010078										●											
3120	COIL DUN N° 32/P MBC300	13022418										●											
3140	STRAINER MBC 300	13022415										●											
3200	O-RING KIT D70X3+D74X3 (2)D11X2/MBC700	65300981										●											
3250	FLANGE MBC300 RP1 1/4	13022621										●											
5000	ACCESSORIES																						
5010	TRIAL BURNER WITH PUSH-BUTTON PB2	65311362										●											
5130	MAX. GAS PRES. SWITCH UB50 A2+CABLE L600	65326220	PED									●											

CB-NC95-120-G9A/TC (/PED)

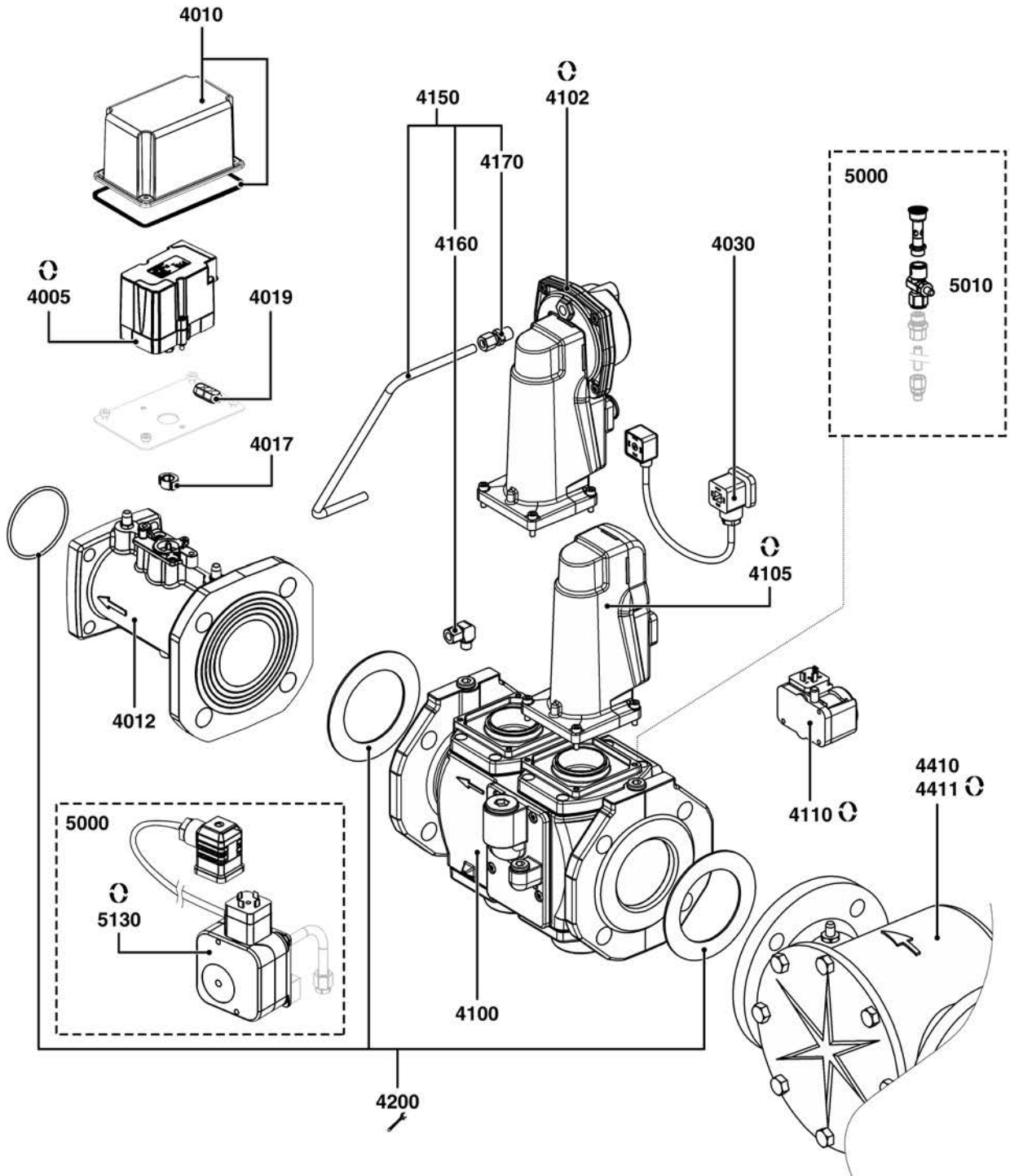
Gas burners



☉⇒	Description	Manf. Pt. N	Type	<div style="display: flex; justify-content: space-between; font-size: 8px; text-align: center;"> BB-NC95 G907/8A /TC BB-NC95 G907/8A /TC/PED BB-NC120 G907/8A /TC BB-NC120 G907/8A /TC/PED CH-G90833 - 11/KN CH-G90833 - 12/KNL CH-G90833 - 13/KNM CH-G90834 - 11/KN CH-G90834 - 12/KNL GT-8415 - 3/4-RP1 1/4 /TC GT-D422-1-1/2-RP2 /TC GT-D422-2-RP2 /TC GT-S42-65-DN65 /TC GT-S42-65-DN65 /TC </div>																		From	to
				1	2	3	4	5	6	7	8	9	10	11	12	13	14	15	16	17	18		
3300	GAS TRAIN																						
3305	ACTUATOR STE 4,5 B0.37/6-R + CABLE L600	65300527											•	•									
3310	COVER 125X79X73/ACTUATOR STE 4,5	65312327											•	•									
3312	GASFLAP 164X164 DN65 L200	65301268											•	•									
3317	ROTATION STOP F. SHAFT STE4.5 0.8NM	65301267											•	•									
3319	CABLE GROMMET 34X15 D6,2	65312458											•	•									
3335	GAS PRESS.SWITCH GW 150 A5 5-150MB	13010078											•	•									
3350	GAS COLLECTOR DN65/RP2 L248	13009693											•	•									
3352	PRESSURE TAP R1/8	13009722											•	•									
3360	GAS VALVE MBC1200 SE S82 RP2+GPS GW150	65300008											•	•									
	GAS VALVE MBC700 SE S82 RP1 1/2+GW150	13022996											•	•									
3370	STRAINER MBC 1200	13022417											•	•									
	STRAINER MBC 700	13022416											•	•									
3400	O-RING KIT D70+D74X3+D115/77/MBC700-1200	65301065											•	•									
3450	FLANGE MB415/420 RP1 1/2 + PRES.PLUG	65322637											•	•									
3500	GAS TRAIN																						
3505	ACTUATOR STE 4,5 B0.37/6-R + CABLE L600	65300527																	•				
3510	COVER 125X79X73/ACTUATOR STE 4,5	65312327																	•				
3512	GASFLAP 164X164 DN65 L200	65301268																	•				
3517	ROTATION STOP F. SHAFT STE4.5 0.8NM	65301267																	•				
3519	CABLE GROMMET 34X15 D6,2	65312458																	•				
3600	GAS VALVE MBC1900 SE DN65+GW150 (258846)	65301067																	•				
3630	GAS PRESS.SWITCH GW 150 A5 5-150MB	13010078																	•				
3700	O-RING KIT D70X3+ D115/77(2)/MBC1900/VGD	65301066																	•				
3910	EXTERNAL GAS FILTER DN65	13009703																	•				
3911	STRAINER DN65 /ANELLO	13009704																	•				
5000	ACCESSORIES																						
5010	TRIAL BURNER WITH PUSH-BUTTON PB2	65311362											•	•	•								
5130	MAX. GAS PRES. SWITCH UB50 A2+CABLE L600	65326220	PED										•	•	•								

CB-NC95-120-G9A/TC (/PED)

Gas burners



☉⇒	Description	Manf. Pt. N	Type	<div style="display: flex; justify-content: space-between; font-size: 8px; text-align: center;"> BB-NC95 G907/8A /TC BB-NC95 G907/8A /TC/PED BB-NC120 G907/8A /TC BB-NC120 G907/8A /TC/PED CH-G0933 - 11/KN CH-G0933 - 12/KN CH-G0933 - 13/KN CH-G0934 - 11/KN CH-G0934 - 12/KN GT-8415 - 3/4-RP1 1/4 /TC GT-D420-1 1/2-RP2 /TC GT-D422-2-RP2 /TC GT-D422-65-DN65 /TC GT-S422-65-DN65 /TC </div>																		From	to
				1	2	3	4	5	6	7	8	9	10	11	12	13	14	15	16	17	18		
4000	GAS TRAIN																						
4005	ACTUATOR STE 4,5 B0.37/6-R + CABLE L600	65300527																			•		
4010	COVER 125X79X73/ACTUATOR STE 4,5	65312327																			•		
4012	GASFLAP 164X164 DN65 L200	65301268																			•		
4017	ROTATION STOP F. SHAFT STE4.5 0.8NM	65301267																			•		
4019	CABLE GROMMET 34X15 D6,2	65312458																			•		
4030	CABLE CONNECT AGA 62 PLUG DIN L270	13020958																			•		
4100	GAS VALVE VGD40 065 DN65	65323661																			•		
4102	GAS ACTUATOR SKP25.003E2 W.O.END SWITCH	65107100																			•		
4105	GAS SERVOM. SKP15.000E2 W/O LIMIT SW.	13020951																			•		
4110	GAS PRESS.SWITCH GW 150 A5 5-150MB	13010078																			•		
4150	GAS PRESSURE TUBE WITH UNION	65301068																			•		
4160	ANGLED UNION	13023188																			•		
4170	STRAIGHT UNION	13009721																			•		
4200	O-RING KIT D70X3+ D115/77(2)/MBC1900/VGD	65301066																			•		
4410	EXTERNAL GAS FILTER DN65	13009703																			•		
4411	STRAINER DN65 /ANELLO	13009704																			•		
5000	ACCESSORIES																						
5010	TRIAL BURNER WITH PUSH-BUTTON PB2	65311362																			•		
5130	MAX. GAS PRES. SWITCH UB50 A2+CABLE L600	65326220	PED																		•		

CB-NC95-120-G9A/TC (/PED)




Gas burners

ADDRESSES

www.casned.com



REPERE PER LE DIMENSIONI E LE CARATTERISTICHE

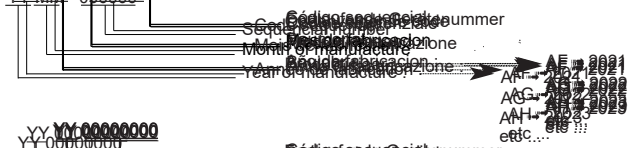
-  = **Dimensioni / Dimensioni / Dimensions**
= **Accessori / Accessoires / Accessoires**
-  = **Versioni / Versions / Versions**
= **Accessori / Accessoires / Accessoires**
-  = **Accessori / Accessoires / Accessoires**
= **Accessori / Accessoires / Accessoires**

NUMERO IDENTIFICATIVO

SEI CARATTERI

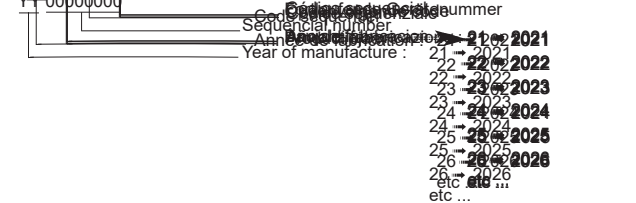
10 Characters :
10 Characters :

YYMM-000000



10 Characters :
10 Characters :

YY00000000



Il presente documento è un documento di proprietà intellettuale di Casned. È vietata espressamente la ristampa o l'uso non autorizzato senza permesso scritto dalla Casned. Tutti i diritti sono riservati. Casned si riserva il diritto di modificare senza preavviso le informazioni contenute in questo documento. Casned non è responsabile per danni diretti o indiretti derivanti dall'uso di questo documento. Casned non è responsabile per danni diretti o indiretti derivanti dall'uso di questo documento. Casned non è responsabile per danni diretti o indiretti derivanti dall'uso di questo documento.