

## SPARE PARTS EXPLODED VIEW GAS BURNERS

Model

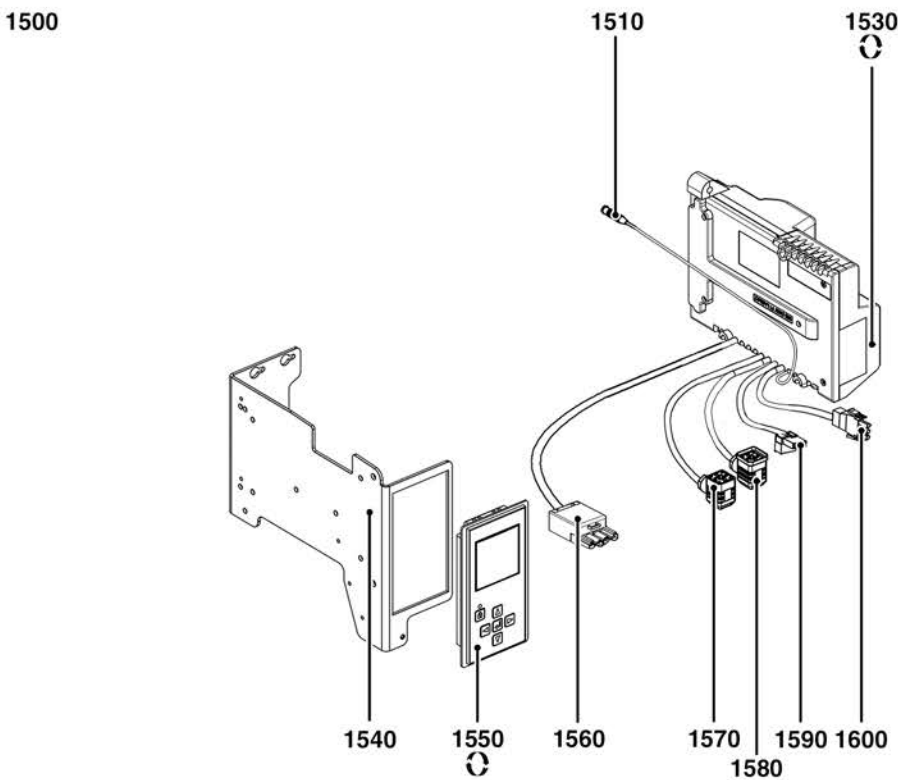
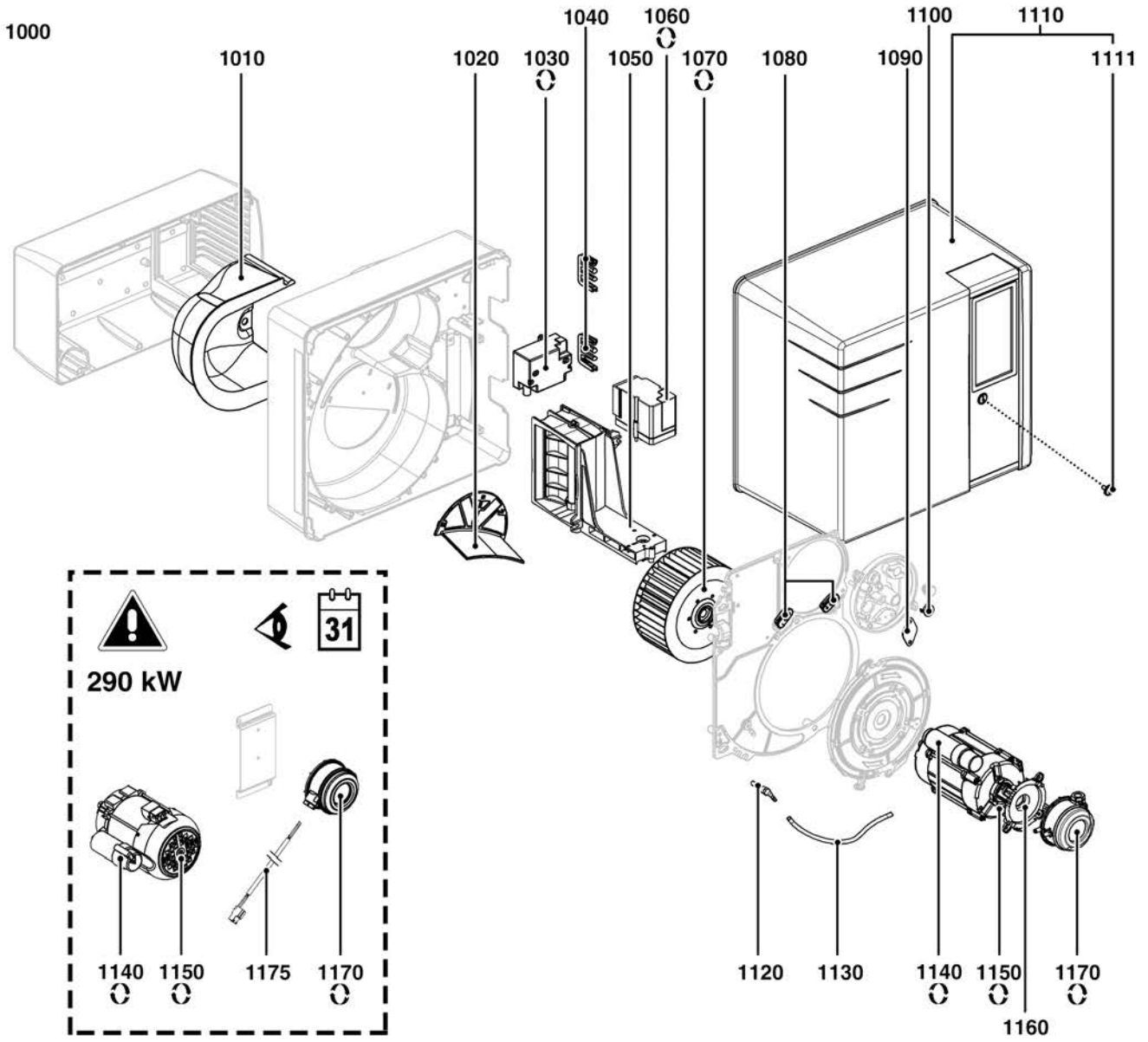
**CB-NC29-36-GX5A (50/60HZ)**

R8220029-03 - 20/12/2017

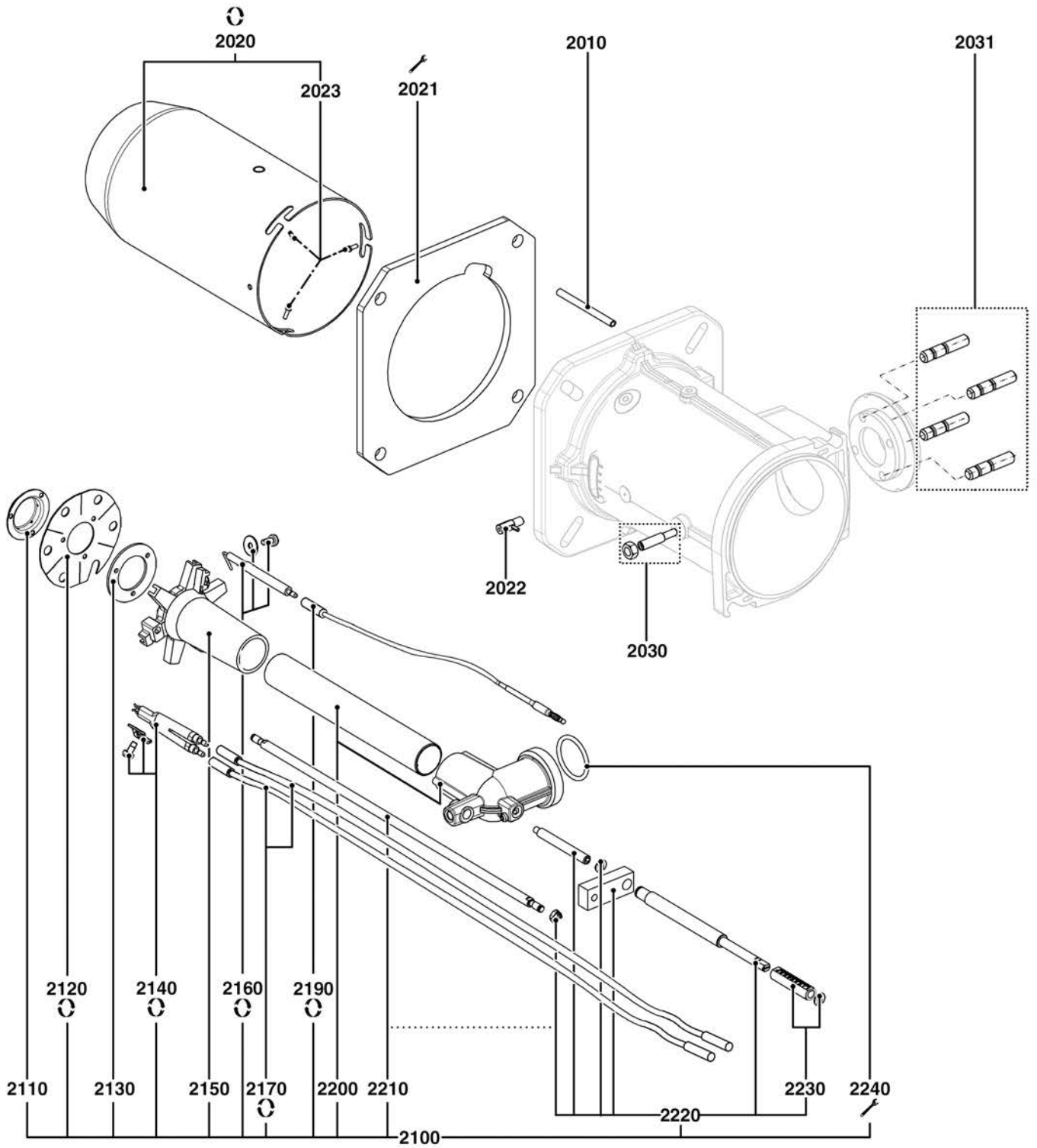
CB-NC29-36-GX5A (50/60HZ)

Gas burners

1	3832054	BB-NC29 GX507/8A	12-2008	-
2	3834020	BB-NC29 GX507/8A 60HZ	06-2012	-
3	3832053	BB-NC36 GX507/8A	06-2008	-
4	3832059	CH-G0431-T1/KN	06-2008	-
5	3832060	CH-G0431-T2/KL	09-2008	-
6	3832064	GT -D311 - 3/4 - RP1	06-2010	-
7	3832063	GT -D312 - 1 1/4 - RP1 1/4	12-2008	-
8	3833192	GT -D327 - 1 1/2-RP2	02-2011	-
Col	Reference	Model type	Begin	End



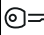
☉⇒	Description	Manf. Pt. N	Type	<div style="display: flex; justify-content: space-between; font-size: small; text-align: center;"> <span>BB-NC29-GX507/8A</span> <span>BB-NC29-GX507/8A</span> <span>BB-NC36-GX507/8A 60HZ</span> <span>CH-50M31 - T11/MN</span> <span>CH-50M31 - T2/MN</span> <span>GT-6311 - 3/4" - Rp 1"</span> <span>GT-6312 - 1" 1/4 - Rp 1 1/4</span> <span>GT-6327 - 1" 1/2 - Rp 2"</span> </div>																		31	
				1	2	3	4	5	6	7	8	9	10	11	12	13	14	15	16	17	18	From	to
<b>1000</b>	<b>BURNER BODY</b>																						
1010	SOUND INSULATION	65300518		•	•	•																	
1020	AIR RECYCLING	65300513		•	•																		
	AIR RECYCLING	65300525				•																	
1030	IGNITION TRANSFO. EBI 2X7,5 230V	13009663		•	•	•																	
1040	GROMMET/HOUSING	13016845		•	•	•																	
1050	AIR FLAP	65300514		•	•	•																	
1060	ACTUATOR STE 4,5 BO37/6 R+CABLE L600	65300527		•	•	•																	
1070	FAN WHEEL D160X52 D12,7	13010095			•																		
	FAN WHEEL D180X70 D12,7	13021143		•		•																	
1080	GROMMET/PLATE	65300517		•	•	•																	
1090	LOCKING PLATE	65300568		•	•	•																	
1100	INSPECTION GLASS BLU D14XD18	13007807		•	•	•																	
1110	COVER NC29/36 + MOUNTING SCREW	65300601		•	•	•																	
1111	FLAT HEAD SCREW M5X15	65300519		•	•	•																	
1120	PRESSURE TAP	65300567		•	•	•																	
1130	HOSE D.4/7 LG. 500 MM	13015497		•	•	•																	
1140	CAPACITOR 10µF 2P 3mm	13012984	SIMEL			•																	
	CAPACITOR 5µF 2P 3mm	65325038	ACC	•	•																		
	CAPACITOR 8µF 2P 3mm	65300577	ACC			•																	
	CAPACITOR 8µF 2P 3mm	65300577	SIMEL	•	•																		
1150	MOTOR 0,25KW 230V D12,7	65300520		•	•																	11/17	
	MOTOR 0,25KW 230V D12,7 VENTILATED	65327150		•	•																12/17		
	MOTOR 0,3KW 230V D12,7	65300528				•																	
1160	AIR PRESSURE SWITCH BASE D32	13020723		•	•																	11/17	
	AIR PRESSURE SWITCH BASE D32	13020723				•																	
1170	AIR PRESS.SWITCH 604.91 0,5-5MB	65300020		•	•																	12/17	
	AIR PRESS.SWITCH 604.91 0,5-5MB+RAST	13020502		•	•																	11/17	
	AIR PRESS.SWITCH 604.91 0,5-5MB+RAST	13020502				•																	
1175	CABLE AIR PRES.SWITCH+RAST2P MARK10 L710	65327175		•	•																	12/17	
<b>1500</b>	<b>ELECTRIC PART</b>																						
1510	IONISATION CABLE MC4/RAST 1P L350	65300158		•	•	•																	
1530	CONTROL UNIT TCG 511.00	65301021		•	•	•																	
1540	CONTROL UNIT BRACKET+DISPLAY	65300524		•	•	•																	
1550	DISPLAY/CONTROL UNIT TCG-TCH REL.2.2	65301109		•	•	•																	
1560	CABLE+PLUG WIE. 4P/RAST3P L250	65300531		•	•	•																	
1570	CABLE GAS VALVE+PLUG DIN/RAST5P L1500	65300570		•	•	•																	
1580	CABLE GAS P.SWITCH+PLUG DIN/RAST2P L1500	13023698		•	•	•																	
1590	CABLE IGNIT.TRANSFO+PLUG 2P/RAST2P L350	65300619		•	•	•																	
1600	CABLE MOTOR+PLUG 3P/RAST3P L300	13010519		•	•	•																	



BB-NC29 GX507/8A  
 BB-NC29 GX507/8A  
 BB-NC36 GX507/8A  
 CH-GM831 - T1/KN  
 CH-GM831 - T2/KL  
 GT-GB11 - 3/4" - Rp 1"  
 GT-GB12 - 1" 1/4 - Rp 1 1/4  
 GT-GB27 - 1" 1/2 - Rp 2"



1 2 3 4 5 6 7 8 9 10 11 12 13 14 15 16 17 18 From to

 Description		Manf. Pt. N	Type	1	2	3	4	5	6	7	8	9	10	11	12	13	14	15	16	17	18	From	to
2000	<b>COMBUSTION HEAD</b>																						
2010	FURNACE PRESSURE TUBE LG.200MM	65301184						•															
	FURNACE PRESSURE TUBE LG.350MM	65301185							•														
2020	FLAME TUBE D130/105/90 L245	65300545					•																
	FLAME TUBE D130/105/90 L385	65300546							•														
2021	GASKET/BURNER FLANGE 205X195X8 D139	13018590					•	•															
2022	FLAME TUBE ROTATION LEVER	13007802					•	•															
2023	SCREWS M6 FIX FLAME TUBE (3 PIECES)	13007804					•	•															
2030	SCREW+NUT M8X40	65300557					•	•															
2031	KIT HEXAGONAL NUT+SCREWS M10X40	13016814					•	•															
2100	COMB.HEAD GAS L360 D89/93 CPL.	65300543					•																
	COMB.HEAD GAS L500 D89/93 CPL.	65300544						•															
2110	GAS NOZZLE D47/33X9 6 DRILLING D2	13022110					•																
2120	BAFFLE PLATE D89/30 6SL DOUBLE ELECTRODE	65300547					•	•															
2130	PROPANE DIFFUSER	13018630					•	•															
2140	ELECTRODE BLOCK 12X46 D4 D1,2X10	65300738					•	•															
2150	GAS HEAD L101 D93/30 6 BRANCH.	65300346					•	•															
2160	IONISATION PROBE D8X80 D4 D2X27 80° F+S	13010529					•	•															
2170	IGNITION CABLE D4/D4 L660	13015229					•																
	IGNITION CABLE D4/D4 L850 CARBON	13020808						•															
2190	IONISATION CABLE MC4/D4 L650	13015121					•																
	IONISATION CABLE MC4/D4 L850	13020809						•															
2200	GAS INLET TUBE KN/T1+ELBOW	65300548					•																
	GAS INLET TUBE+ELBOW	65300549						•															
2210	ADJUST ROD D6/8/6 L360+CLIPS D6	65300550					•																
	ADJUST ROD D6/8/6 L500+CLIPS D6	65300551						•															
2220	ADJUST ROD D8/12/10 L172+SPACER 37MM	65300556					•	•															
2230	ADJUST SCALE+CIRCLIPS	65300554					•	•															
2240	O-RING 4137 D34,52X3,53 NBR	13022908					•	•															

