

## SPARE PARTS EXPLODED VIEW GAS BURNERS

Model

**CB-NC12,NC16,NC21 GX507/8**

R8220181-01 - 12/03/2018

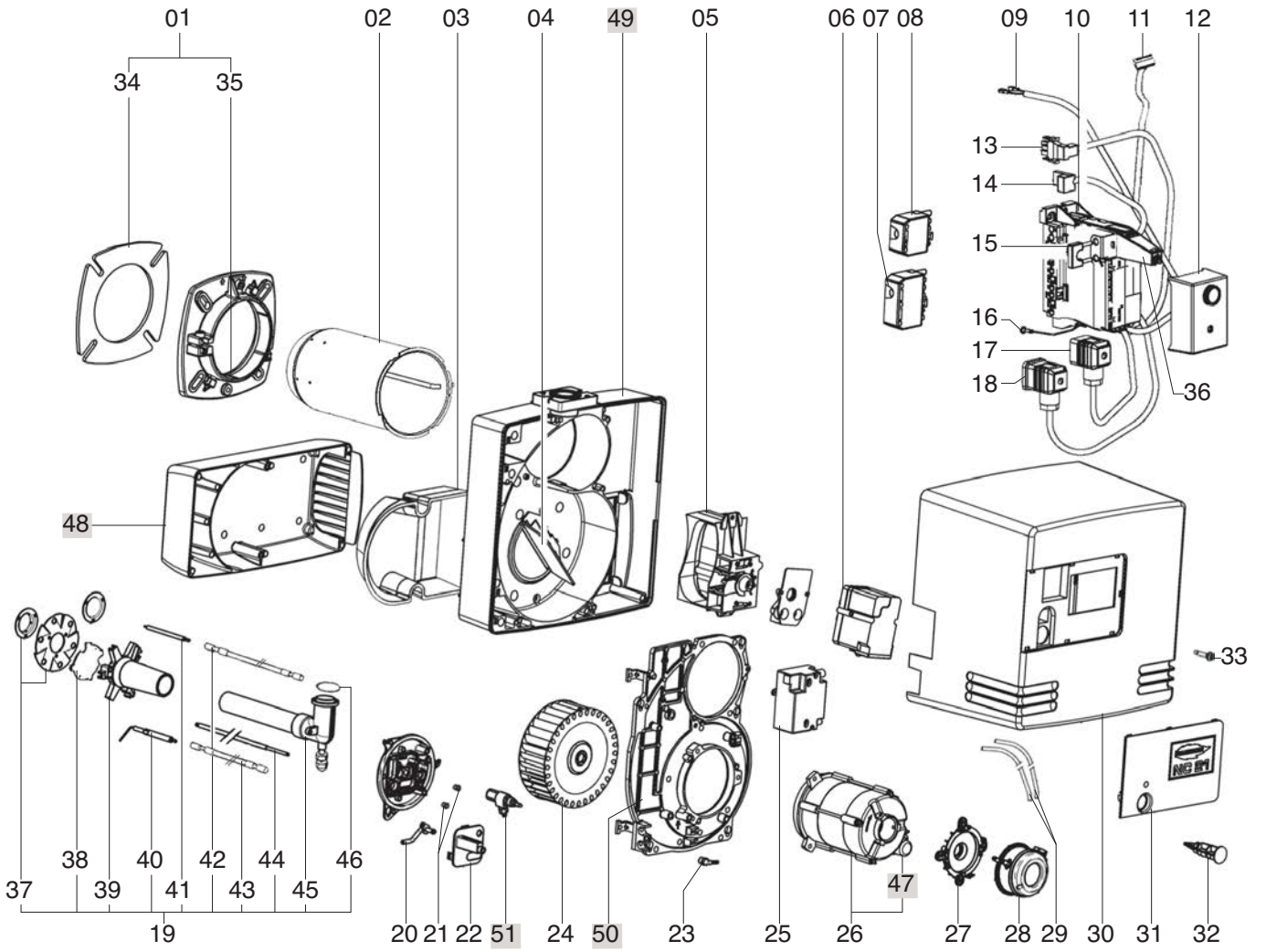
NC12,16,21 GX507/8

Gas burners

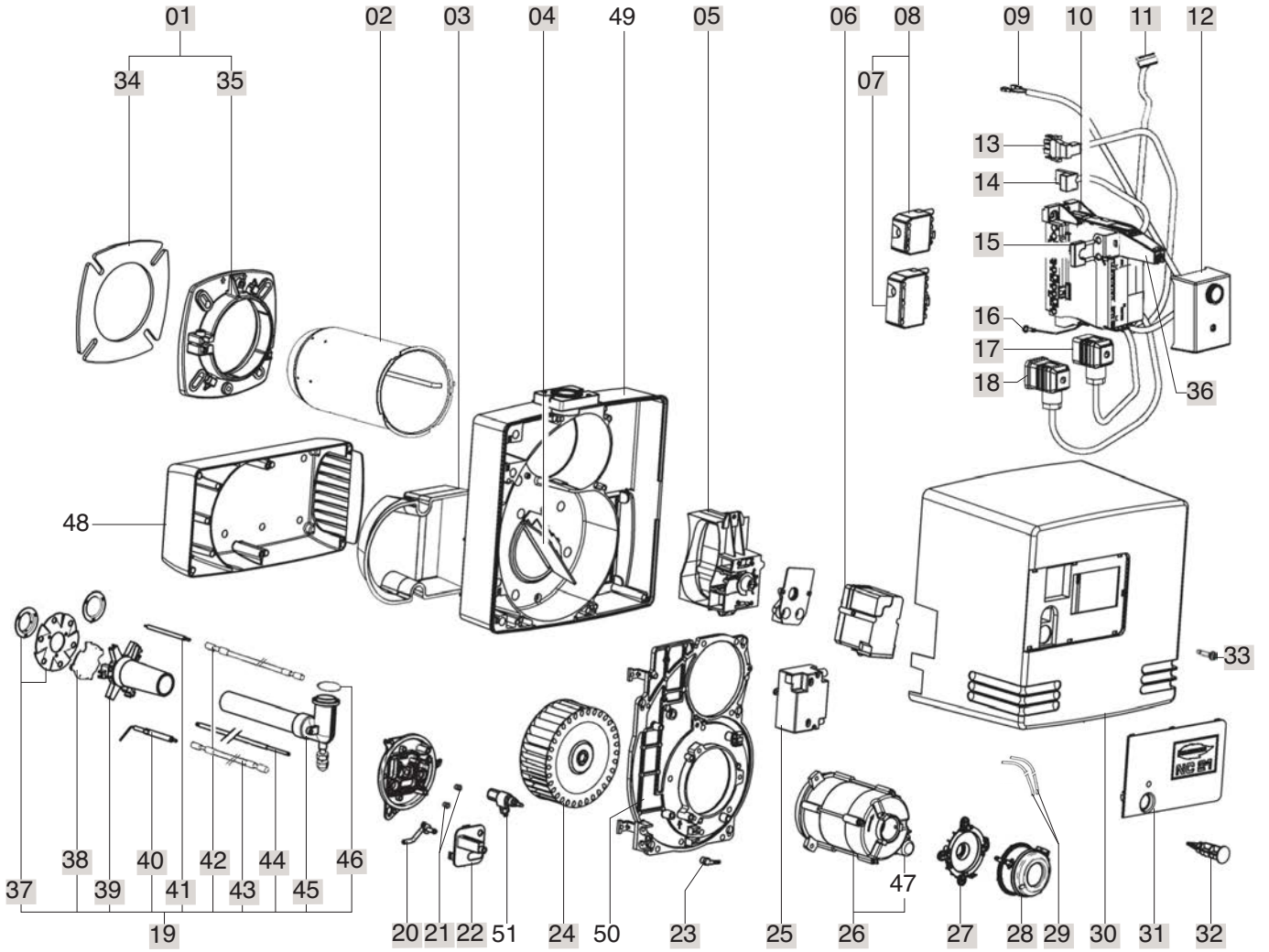
1	13018585	CB-NC12 GX507/8 P20-300 d3/4"-Rp3/4" T1	02-2005	12-2010
2	13018586	CB-NC12 GX507/8 P20 d3/4"-Rp3/4" T2	02-2005	12-2010
3	13019057	CB-NC12 GX507/8 P300 d3/4"-Rp3/4" T1	02-2005	12-2010
4	13019058	CB-NC12 GX507/8 P300 d3/4"-Rp3/4" T2	02-2005	12-2010
5	13017823	CB-NC16 GX507/8 P20 d3/4"-Rp3/4" T1	02-2005	12-2010
6	13017824	CB-NC16 GX507/8 P20 d3/4"-Rp3/4" T2	02-2005	12-2010
7	13019059	CB-NC16 GX507/8 P300 d3/4"-Rp3/4" T1	02-2005	12-2010
8	13019060	CB-NC16 GX507/8 P300 d3/4"-Rp3/4" T2	02-2005	12-2010
9	13019140	CB-NC21 GX507 P20 d1"1/4"-Rp1"1/4 T1	02-2005	12-2010
10	13019141	CB-NC21 GX507 P20 D1 1/4-RP1 1/4 T2	02-2005	12-2010
11	13015056	CB-NC21 GX507/8 P300 d3/4"-Rp3/4" T1	02-2005	12-2010
12	13015057	CB-NC21 GX507/8 P300 d3/4"-Rp3/4" T2	02-2005	12-2010
13	13019696	CB-NC21 GX507/8 P20 d3/4"-Rp3/4" T1	02-2005	12-2010
14	13019697	CB-NC21 GX507/8 P20 d3/4"-Rp3/4" T2	02-2005	12-2010

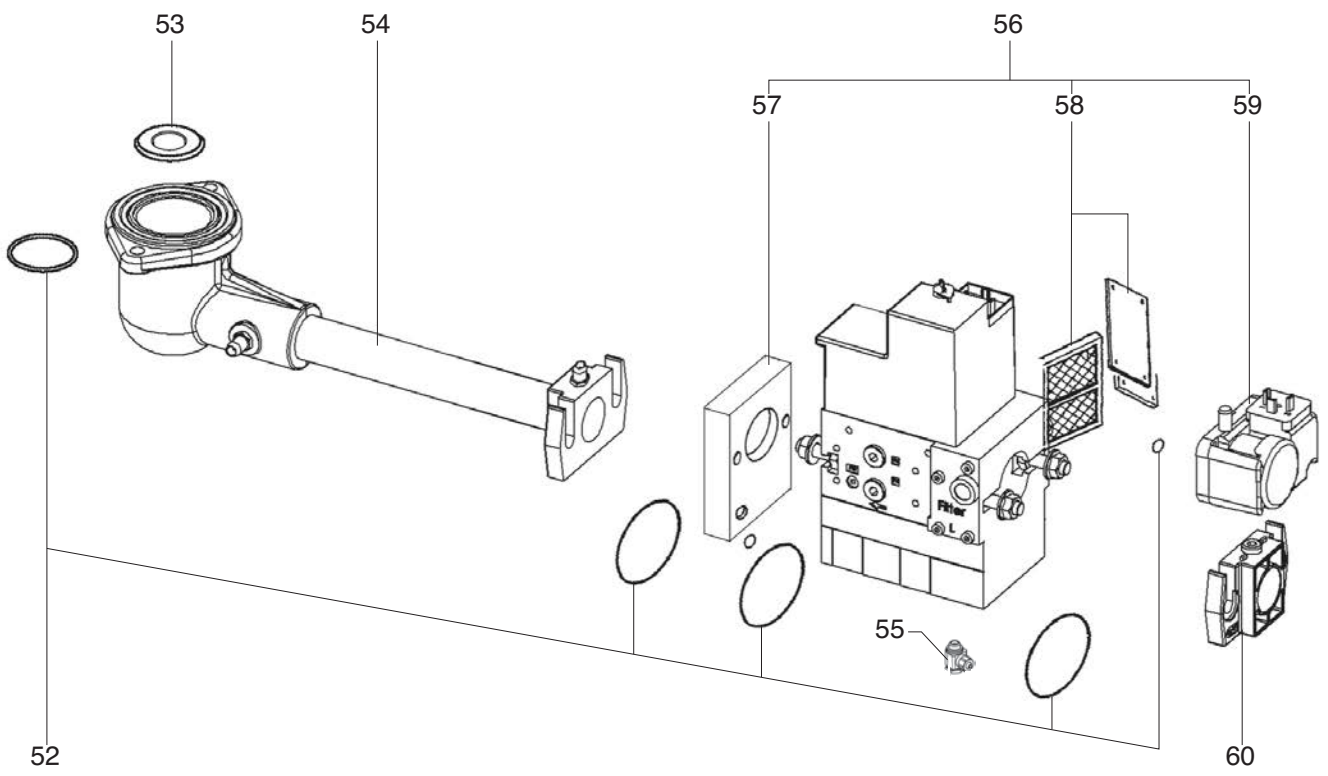
Col	Reference	Model type	Begin	End
-----	-----------	------------	-------	-----







	Description	Manf. Pt. N	Type	<small>           Gx-NC12, GX5078, P200, GX14, R204/T1            Gx-NC12, GX5078, P20, GX14, R204/T2            Gx-NC12, GX5078, P200, GX14, R204/T1            Gx-NC12, GX5078, P20, GX14, R204/T2            Gx-NC12, GX5078, P200, GX14, R204/T2            Gx-NC12, GX5078, P20, GX14, R204/T1            Gx-NC12, GX5078, P20, GX14, R204/T2            Gx-NC12, GX5078, P20, GX14, R204/T1            Gx-NC12, GX5078, P20, GX14, R204/T2            Gx-NC12, GX5078, P20, GX14, R204/T1            Gx-NC12, GX5078, P20, GX14, R204/T2            Gx-NC12, GX5078, P20, GX14, R204/T1            Gx-NC12, GX5078, P20, GX14, R204/T2            Gx-NC12, GX5078, P20, GX14, R204/T1            Gx-NC12, GX5078, P20, GX14, R204/T2         </small>														<small>           31            From to         </small>		
				1	2	3	4	5	6	7	8	9	10	11	12	13	14	15	16	17
0047	CAPACITOR 5μF 2P 3mm	65325038	ACC	●	●	●	●	●	●	●										
	CAPACITOR 6,3μF 2P 3mm	13010016	ACC							●	●	●	●	●						
	CAPACITOR 6,3μF 2P 3mm	13010016	SIMEL	●	●	●	●	●	●	●										
	CAPACITOR 8μF 2P 3mm	65300577	SIMEL							●	●	●	●	●						
0048	AIR BOX 315X164X62+INSULATION	13021733		●	●	●	●	●	●	●	●	●	●	●	●					
0049	HOUSING NC12...21/VECTRON 2	65300944		●	●	●	●	●	●	●	●	●	●	●	●					
0050	MOTOR PLATE 313X218X18,5 D99 GAS	65326686		●	●	●	●	●	●	●	●	●	●	●	●					
0051	PRESSURE TAP	13015502		●	●	●	●	●	●	●	●	●	●	●						



☉⇒	Description	Manf. Pt. N	Type	<div style="display: flex; justify-content: space-between; font-size: 8px; border: 1px solid black; padding: 2px;"> <span>CB-NC12 GX507/8 P200/014-R04/T1</span> <span>CB-NC12 GX507/8 P200/014-R04/T2</span> <span>CB-NC12 GX507/8 P200/014-R04/T1</span> <span>CB-NC12 GX507/8 P200/014-R04/T2</span> <span>CB-NC12 GX507/8 P200/014-R04/T1</span> <span>CB-NC12 GX507/8 P200/014-R04/T2</span> <span>CB-NC12 GX507/8 P200/014-R04/T1</span> <span>CB-NC12 GX507/8 P200/014-R04/T2</span> <span>CB-NC12 GX507/8 P200/014-R04/T1</span> <span>CB-NC12 GX507/8 P200/014-R04/T2</span> <span>CB-NC12 GX507/8 P200/014-R04/T1</span> <span>CB-NC12 GX507/8 P200/014-R04/T2</span> <span>CB-NC12 GX507/8 P200/014-R04/T1</span> <span>CB-NC12 GX507/8 P200/014-R04/T2</span> <span>CB-NC12 GX507/8 P200/014-R04/T1</span> <span>CB-NC12 GX507/8 P200/014-R04/T2</span> </div>																		From	to
				1	2	3	4	5	6	7	8	9	10	11	12	13	14	15	16	17	18		
0052	O-RING KIT D34,5X3,5+D30X3/MBVEF407 IMP.	13019200		●	●	●	●	●	●	●	●	●	●	●	●								
0053	DIAPHRAGM / GAS ELBOW D29/15X2,5	13019198		●	●	●	●	●	●	●	●	●	●	●	●								
0054	COMPLETE COLLECTOR	13018098		●	●	●	●	●	●	●	●	●	●	●	●								
	COMPLETE COLLECTOR	13018623									●	●											
0055	BANJO UNION LCK-G1/8-PK4	13020682		●	●	●	●	●	●	●	●	●	●	●	●								
0056	GAS VALVE MBVEF407 B01 S10 RP3/4"IMPULS.	13020612		●	●		●	●					●	●									
	GAS VALVE MBVEF407 B01 S30 RP3/4"IMPULS.	13020611				●	●		●	●			●	●									
	GAS VALVE MBVEF412 B01 S10 RP1"1/4 IMPULS.	13020613									●	●											
0057	FLANGE IMPULSION D14,9 MB407	13019202		●	●	●	●	●	●	●	●	●	●	●	●								
	FLANGE IMPULSION D14,9 MB412	13019203									●	●											
0058	STRAINER MB..405-407	13016011		●	●	●	●	●	●	●	●	●	●	●	●								
	STRAINER MB..410-412	13016012									●	●											
0059	GAS PRESS.SWITCH GW 150 A5 5-150MB	13010078		●	●	●	●	●	●	●	●	●	●	●	●								
0060	FLANGE MB405/407 RP3/4 +O-RING	13010074		●	●	●	●	●	●	●	●	●	●	●	●								
	FLANGE MB410/412 RP1 1/4	13010085									●	●											

## ADDRESSES

www.bosch.com



## VARIANTEN- UND ZUSATZGERÄTE

:: Nichtmessgerät/Erhöhte Betriebstemperatur/Minimale Geräuschkennwerte  
 :: Produktseriennummer/Produktcode/Produktmodell

:: Weltweit verfügbar/Erhöhte Betriebstemperatur/Minimale Geräuschkennwerte  
 :: Produktseriennummer/Produktcode/Produktmodell

:: In der Hotelkategorie, maximale Leistung/Minimale Betriebstemperatur/Minimale Geräuschkennwerte  
 :: Produktseriennummer/Produktcode/Produktmodell  
 :: Produktseriennummer/Produktcode/Produktmodell

## IDENTIFICATION DÉTAILLÉE

### SERIE 770

