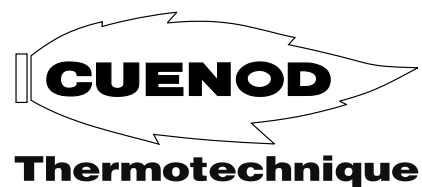


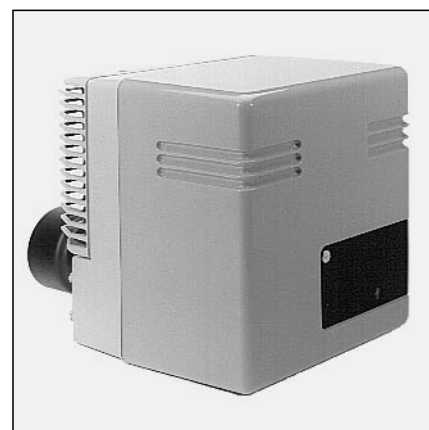
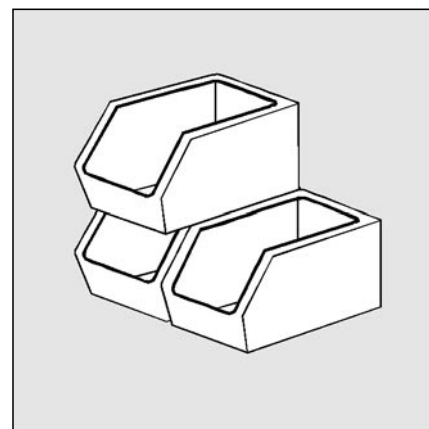
**Pièces de rechange**  
**Spare parts list**  
**Ersatzteilliste**  
**C 10, C 14, C 18, C 22**  
**C 10, C 14, C 22**  
**C 22**

**Brûleur gaz**  
**Gas burner**  
**Gasbrenner**  
**G107/8 1 allure**  
**G207/8 2 allures**  
**G507/8 AGP®**



0211 / 13 003 565D

FR

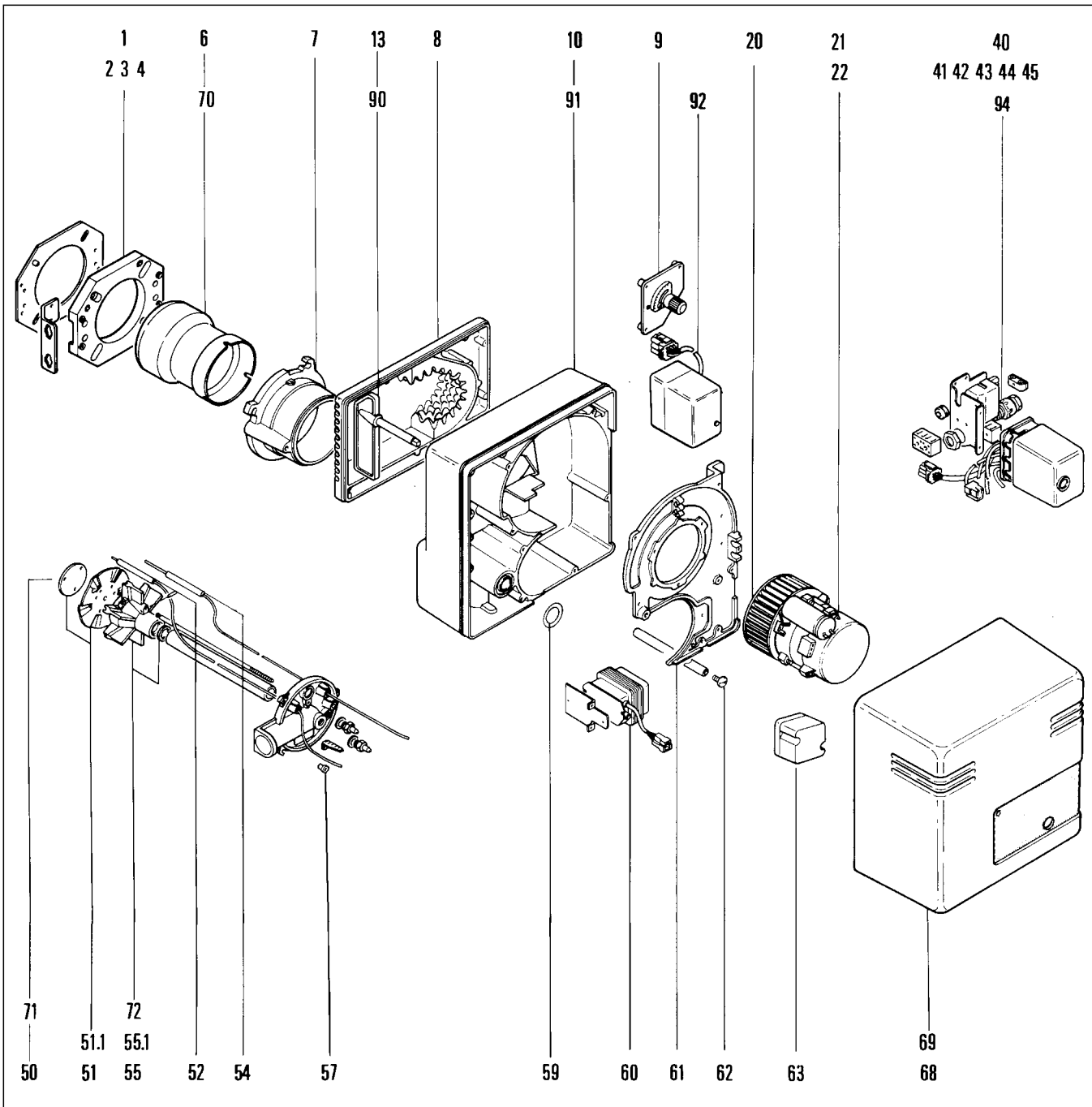


|                         |    |            |
|-------------------------|----|------------|
| C10 G107/8<br>p 20/300  | T1 | 0 318 535A |
| C10 G107/8<br>p 20/300  | T2 | 0 318 536A |
|                         |    |            |
| C14 G107/8<br>p 20/300  | T1 | 0 318 537A |
| C14 G107/8<br>p 20/300  | T2 | 0 318 538A |
|                         |    |            |
| C18 G107/8<br>p 20/50   | T1 | 0 318 551D |
| C18 G107/8<br>p 20/50   | T2 | 0 318 552D |
|                         |    |            |
| C18 G107/8<br>p 100/300 | T1 | 0 318 643B |
| C18 G107/8<br>p 100/300 | T2 | 0 318 644B |
|                         |    |            |

|                         |    |            |
|-------------------------|----|------------|
| C22 G107/8<br>p 20/50   | T1 | 0 318 553B |
| C22 G107/8<br>p 20/50   | T2 | 0 318 554B |
|                         |    |            |
| C22 G107/8<br>p 100/300 | T1 | 0 318 647A |
| C22 G107/8<br>p 100/300 | T2 | 0 318 648A |
|                         |    |            |
| C22 G507/8<br>p 20/50   | T1 | 0 318 575  |
| C22 G507/8<br>p 20/50   | T2 | 0 318 576  |
|                         |    |            |
| C22 G507/8<br>p 100/300 | T1 | 0 318 577  |
| C22 G507/8<br>p 100/300 | T2 | 0 318 578  |
|                         |    |            |

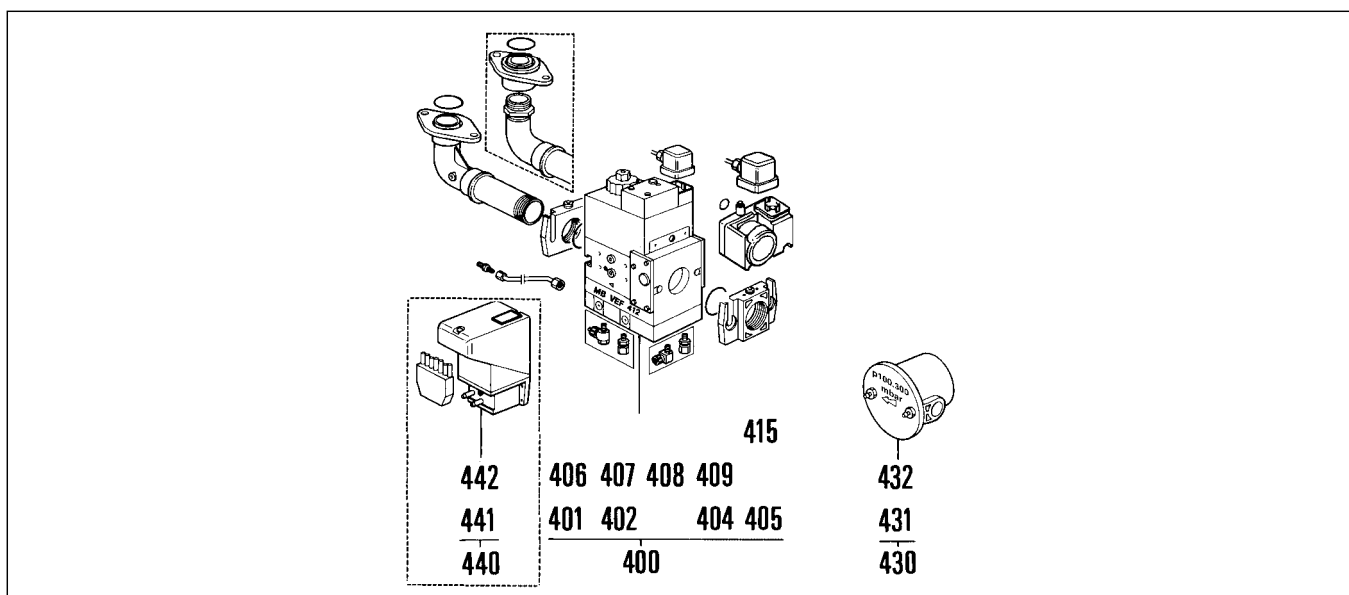
|                         |    |            |
|-------------------------|----|------------|
| C10 G207/8<br>p 20/300  | T1 | 0 318 539A |
| C10 G207/8<br>p 20/300  | T2 | 0 318 540A |
|                         |    |            |
| C14 G207/8<br>p 20/300  | T1 | 0 318 541A |
| C14 G207/8<br>p 20/300  | T2 | 0 318 542A |
|                         |    |            |
| C22 G207/8<br>p 20/50   | T1 | 0 318 547B |
| C22 G207/8<br>p 20/50   | T2 | 0 318 548B |
|                         |    |            |
| C22 G207/8<br>p 100/300 | T1 | 0 318 549B |
| C22 G207/8<br>p 100/300 | T2 | 0 318 550B |
|                         |    |            |

0211 / 13 003 565D

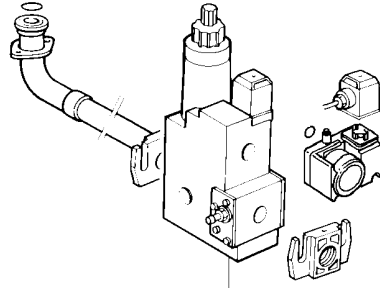


| Pos. | Désignation   | Description              | Bezeichnung             | n° Art.   |
|------|---|--------------------------|-------------------------|---|
| 01   | Accessoires chaudière<br>C10<br>C14-18-22                               | Boiler accessories       | Beipack                 | 0 145 739<br>0 145 740                            |
| 02   | Joint<br>C10 Ø 110<br>C14-18-22 Ø 126                                   | Flange klingerit         | Dichtung                | 13 003 978<br>0 149 945                           |
| 03   | Bride<br>C10 Ø 110<br>C14-18-22 Ø 126                                   | Flange                   | Flansch                 | 13 005 324<br>0 012 828                           |
| 04   | Equerre   | Bracket                  | Befestigungswinkel      | 0 137 096   |
| 06   | Embout<br>C10 Ø 103/88/100X138<br>C14/22 Ø 117/97/110X148               | Blast tube               | Flammenrohr             | 0 136 927<br>0 136 928                            |
| 07   | Tête de fixation<br>C10 Ø 100<br>C14-18-22 Ø 110<br>C22 G5 Ø 110 (pF)   | Head mount               | Flammenrohraufnahme     | 0 132 580<br>0 132 581<br>0 150 261               |
| 08   | Boîte à air<br>C10-14<br>C18-22   | Air damper cover         | Luftkasten BG           | 0 138 109<br>0 139 599                            |
| 09   | Commande manu.volet air<br>C10-14<br>C18-22                             | Manu. control air flap   | Man. Luftklappenantrieb | 7 136 966<br>7 137 379                            |
| 10   | Carter<br>C10-14<br>C18-22  | Burner housing           | Gehäuse                 | 0 138 108<br>0 139 088                            |
| 13   | Volet air<br>C10-14<br>C18-22   | Air flap                 | Luftklappe              | 0 012 641<br>A 138 990                            |
| 20   | Turbine<br>C10 Ø 120X52<br>C14 Ø 137X52<br>C18 Ø 146X52<br>C22 Ø 160X52 | Air fan                  | Ventilatorrad           | 0 137 493<br>0 137 402<br>0 139 096<br>13 005 240 |
| 21   | Moteur + cond.<br>C10-14 65 W<br>C18-22 115 W                           | Motor + cond.            | Motor + Kond.           | 0 089 051<br>0 089 057                            |
| 22   | Condensateur<br>C10-14 2 µF<br>C18-22 4 µF                              | Condensator              | Kondensator             | 13 001 697<br>13 001 296                          |
| 40   | Toron<br>C10-14 G1<br>C18-22 G1   | Strand                   | El.Mont.Platte BG       | 0 150 064<br>0 150 094                            |
| 41   | Partie active LGB22 230   | Control box LGB22 230    | Relais LGB22 230        | 0 077 794   |
| 42   | Socle coffret   | Control box base         | Relaissockel            | 0 077 617   |
| 43   | Porte presse étoupe   | Fix. stuffing base       | Stopfbuchsenhalter      | 0 077 650   |
| 45   | Prise Wieland 7P. mál./chau.  | Wieland connecting plug  | Wieland Stecker         | 0 139 965   |
| 50   | Tête de combustion<br>C10<br>C14-18-22                                  | Firing head              | Brennstoffkopf          | 7 136 986<br>7 136 987                            |
| 51   | Défecteur<br>C10 Ø 87/00-6FD<br>C14-18-22 Ø 96/00-6FD                   | Turbulator               | Turbulator              | 0 136 952<br>0 136 951                            |
| 51.1 | Obturateur [gaz P]<br>C10 Ø40<br>C14-18-22 Ø50                          | Blende [LPG gas]         | Blende FG [gas F]       | 0 137 636<br>0 137 637                            |
| 52   | Electrode allu./câble L625  | Ignition electrode/cable | Zündelectrode/Kabel     | 0 137 366   |
| 54   | Sonde ionisation/câble L500   | Ionisationsprobe/cable   | Ionisationsstab/Kabel   | 0 145 766   |

| Pos. | Désignation   | Description                         | Bezeichnung                                     | n° Art.  |  |
|------|---|-------------------------------------|---|--|--|
| 55   | Etoile répart.gaz (alu.)<br>C10 Ø88<br>C14-18-22 Ø97                  | Star gas head (alu.)                | Sterngaskorpf (Alu.)                            | 0 136 913<br>0 136 908                           |  |
| 55.1 | Joint O'Ring Ø21,6x2,4  | O'Ring                              | O'Ring  | 0 088 635  |  |
| 57   | Serre câble Ø 2,3 2x  | Bush                                | Tülle   | 0 012 741  |  |
| 59   | Joint O'Ring/ Ø30x4/couv.   | O'Ring                              | O'Ring  | 0 088 747  |  |
| 60   | Transformateur allu.  | Ignition transfo.                   | Zündtransfo                                     | 0 135 715  |  |
| 61   | Platine fermeture volute<br>C10-14<br>C18-22                          | Cover for housing                   | Gehäusedeckel                                   | 0 012 646<br>0 139 119                           |  |
| 62   | Vis/capot   | Oval head screw                     | Linsenschraube                                  | 13 001 314                                       |  |
| 63   | Pressostat air<br>C10-14-18-22 G1 LGW 10 A2<br>C10-14-22 G2/5 LGW3 A2 | Press.contr.device                  | Druckwächter                                    | 0 088 618<br>0 088 657                           |  |
| 68   | Capot éq. Standard<br>C10<br>C14<br>C18<br>C22                        | Cover                               | Schalldämmhaube kpl                             | 0 145 499<br>0 145 500<br>7 139 383<br>7 145 501 |  |
|      |   |                                     |   |  |  |
|      | <b>Articles spécifiques<br/>Tête longue T2</b>                        | <b>Specific items<br/>Long head</b> | <b>Spezifische Artikel<br/>MZE 120 mm verl.</b> |  |  |
| 70   | Embout<br>C10 Ø 103/88/100X258<br>C14-22 Ø 117/97/110X268             | Blast tube                          | Flammenrohr                                     | 0 139 857<br>0 139 858                           |  |
| 71   | Tête de combustion<br>C10<br>C14-18-22                                | Firing head                         | Brennstoffkopf                                  | 7 170 263<br>7 170 264                           |  |
| 72   | Etoile répart. gaz (bronze)<br>C10 Ø88<br>C14-18-22 Ø97               | Star gas head (bronze)              | Sterngaskopf (Bronze)                           | 0 137 098<br>0 137 097                           |  |
|      |   |                                     |   |  |  |
|      | <b>Articles spécifiques 2 allures</b>                                 | <b>Specific items 2 stages</b>      | <b>Spezifische Artikel 2 Stufig</b>             |  |  |
| 90   | Volet air 2 allures<br>C10-14   | Air flap                            | Luftklappe                                      | 7 137 563  |  |
| 91   | Carter<br>C10-14  | Burner housing                      | Gehäuse   | 0 137 597  |  |
| 92   | Servomoteur<br>C10-14-22 G2 LKS131.07/4,5s<br>C22 G5 LKS131.10/15s    | Servomotor                          | Stellantrieb                                    | 0 146 918<br>0 148 409                           |  |
| 94   | Toron<br>C10-14 G2<br>C22 G2<br>C22 G5                                | Strand                              | El.Mont.Platte BG                               | 0 150 088<br>0 150 093<br>0 150 271              |  |
|      | Prise Wieland 4P. mál./chau.  | Wieland connecting plug             | Wieland Stecker                                 | 0 145 548  |  |
|      |   |                                     |   |  |  |
|      |   |                                     |   |  |  |
|      |   |                                     |   |  |  |
|      |   |                                     |   |  |  |
|      |   |                                     |   |  |  |
|      |   |                                     |   |  |  |
|      |   |                                     |   |  |  |
|      |   |                                     |   |  |  |
|      |   |                                     |   |  |  |
|      |   |                                     |   |  |  |
|      |   |                                     |   |  |  |

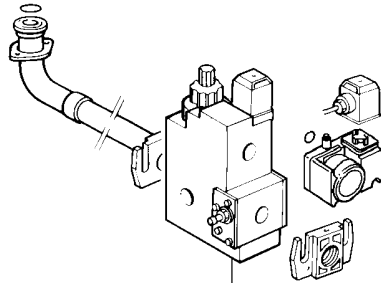


| Pos.       | Désignation                                     | Description                                    | Bezeichnung                                  | n° Art.    |
|------------|---|--|--|------------|
| <b>400</b> | <b>Groupe vannes AGP G5</b>                     | <b>AGP gas train</b>                           | <b>Gasarmatur AGP</b>                        |            |
| 1          | 22 G5 p 20/50                                   |  |  | 0 241 111A |
| 2          | 22 G5 p 100/300                                 |  |  | 0 241 112A |
| 401        | Vanne   | Valve  | Ventil BG                                    |            |
| 1          | MB VEF 412 B01 S10                              |  |  | 0 089 424  |
| 2          | MB VEF 407 B01 S30                              |  |  | 13 000 372 |
| 402        | Bobine VS+VA                                    | Magnet coil                                    | Magnetspule                                  |            |
| 1          | 412 n° 1205                                     |  |  | 13 001 426 |
| 2          | 407 n° 1105                                     |  |  | 13 001 425 |
| 404        | Bride/MB 2x                                     | Flange   | Flansch                                      |            |
| 1          | 412 Rp 1,1/4                                    |  |  | 0 088 664  |
| 2          | 407 Rp 3/4                                      |  |  | 0 088 577  |
| 405        | Joint O'Ring/bride MB 2x                        | O'Ring   | O'Ring                                       |            |
| 1          | 412 Ø50x3                                       |  |  | 0 089 928  |
| 2          | 407 Ø36x3                                       |  |  | 0 088 822  |
| 406        | Filtre tamis                                    | Filter   | Filter                                       |            |
| 1          | 412   |  |  | 13 001 428 |
| 2          | 407   |  |  | 13 001 427 |
| 407        | Joint plat/couv.filtre 2x                       | Seal   | Dichtung                                     |            |
| 1          | 412   |  |  | 7 088 840  |
| 2          | 407   |  |  | 7 088 839  |
| 408        | Pressostat                                      | Press.contr.device                             | Druckwächter                                 |            |
| 1          | GW150 A5  |  |  | 13 005 392 |
| 2          | GW500 A5  |  |  | 13 006 319 |
| 409        | Joint O'Ring/pres.                              | O'Ring   | O'Ring                                       | 0 088 816  |
| 410        | Prise 4P. noire bobine                          | Plug   | Stecker                                      | 0 077 744  |
| 411        | Prise 4P. grise pres.                           | Plug   | Stecker                                      | 0 077 747  |
| 415        | Joint O'Ring GV/carter                          | O'Ring   | O'Ring                                       |            |
| 1+2        | Ø50x3   |  |  | 0 088 928  |
| —          | Kit raccordement rampe gaz pour brûleur inversé | Set for gas train connexion on reversed burner | Bausatz Armaturanschl. für Brenner umgekehrt | 13 004 827 |



115  
107    109 110 111  
101 102 103 104 105 106  
100

| Pos.                  | Désignation   | Description  | Bezeichnung   | n° Art.           |
|-----------------------|---|--|---|-------------------|
| <b>100</b>            | <b>Groupe vannes 2 allures G2</b>                             | <b>2 Stages gas train</b>                          | <b>Gasarmatur 2 Stufig</b>                          |                   |
| <b>1</b>              | <b>10 - 14 G2 p 20/300</b>                                    |  |   | <b>0 241 094B</b> |
| <b>2</b>              | <b>22 G2 p 20/50</b>  |  |   | <b>0 241 097C</b> |
| <b>3</b>              | <b>22 G2 p 100/300</b>  |  |   | <b>0 241 098B</b> |
| 101                   | Vanne<br>MB ZRDLE B01 S20                                     | Valve  | Ventil BG   |                   |
| 1                     | 407 Rp 3/4  |  |   | 0 089 246         |
| 2                     | 412 Rp 1,1/4  |  |   | 0 089 248         |
|                       | MB ZDRLE B01 S50  |  |   |                   |
| 3                     | 407   |  |   | 0 089 514         |
| 102                   | Bobine VS+VA1   | Magnet coil  | Magnetspule   |                   |
| 1+3                   | 407 n° 1101   |  |   | 7 088 832         |
| 2                     | 412 n° 1201   |  |   | 7 088 834         |
| 103                   | Bobine VA2  | Magnet coil  | Magnetspule   |                   |
| 1+3                   | 407 n° 1150   |  |   | 7 088 833         |
| 2                     | 412 n° 1250   |  |   | 7 088 835         |
| 108                   | Pressostat  | Press.contr.device                                 | Druckwächter  |                   |
| 1+3                   | GW150 A5  |  |   | 13 005 392        |
| 2                     | GW500 A5  |  |   | 13 006 319        |
| de<br>104<br>à<br>113 | Se reporter aux positions 304 à 313 du groupe vanne 1 allure. | See position 304 to 313 for the 1 stage gas train. | Siehe Position 304 bis 313 der 1 Stufig Gasarmatur. |                   |
|                       |   |  |   |                   |
|                       |   |  |   |                   |
|                       |   |  |   |                   |
|                       |   |  |   |                   |
|                       |   |  |   |                   |
|                       |   |  |   |                   |



313 314 315 316  
 307 308 309 310 311 312  
 301 302 303 304 305 306  
 300

| Pos.       | Désignation                      | Description              | Bezeichnung                | n° Art.           |
|------------|----------------------------------|--------------------------|----------------------------|-------------------|
| <b>300</b> | <b>Groupe vannes 1 allure G1</b> | <b>1 Stage gas train</b> | <b>Gasarmatur 1 Stufig</b> |                   |
| <b>1</b>   | <b>10-14 G1 p 20/300</b>         |                          |                            | <b>0 241 093A</b> |
| <b>2</b>   | <b>18-22 G1 p 20/50</b>          |                          |                            | <b>0 241 104B</b> |
| <b>3</b>   | <b>18-22 G1 p 100/300</b>        |                          |                            | <b>0 241 110A</b> |
| 301        | Vanne MB DLE B01 S20             | Valve                    | Ventil BG                  |                   |
| 1          | 407 Rp3/4                        |                          |                            | 0 089 242         |
| 2          | 412 Rp 1,1/4                     |                          |                            | 0 089 244         |
| 3          | Vanne MB DLE B01 S50             | Valve                    | Ventil BG                  |                   |
|            | 407 Rp 3/4                       |                          |                            | 0 089 532         |
| 302        | Bobine VS+VA1                    | Magnet coil              | Magnetspule                |                   |
| 1+3        | 407 n° 1100                      |                          |                            | 7 088 830         |
| 2          | 412 n° 12007                     |                          |                            | 2088 831          |
| 304        | Bride 2x                         | Flange                   | Flansch                    |                   |
| 1+3        | 407 Rp 3/4                       |                          |                            | 0 088 577         |
| 2          | 412 Rp 1,1/4                     |                          |                            | 0 088 664         |
| 305        | Joint O'Ring/bride 2x            | O'Ring                   | O'Ring                     |                   |
| 1+3        | 407 Ø36x3                        |                          |                            | 7 088 822         |
| 2          | 412 Ø50x3                        |                          |                            | 7 088 928         |
| 306        | Filtre tamis                     | Filter                   | Filter                     |                   |
| 1+3        | 407                              |                          |                            | 7 088 825         |
| 2          | 412                              |                          |                            | 7 088 840         |
| 307        | Joint plat cov.filtre 2x         | Seal                     | Dichtung                   |                   |
| 1+3        | 407                              |                          |                            | 7 088 839         |
| 2          | 412                              |                          |                            | 0 088 840         |
| 308        | Pressostat                       | Press.contr.device       | Druckwächter               |                   |
| 1+2        | GW150 A5                         |                          |                            | 13 005 392        |
| 3          | GW500 A5                         |                          |                            | 13 006 319        |
| 309        | Joint O'Ring/pres.               | O'Ring                   | O'Ring                     | 0 088 816         |
| 310        | Prise 4P. noire bobine           | Plug                     | Stecker                    | 0 077 744         |
| 311        | Prise 4P. grise pres.            | Plug                     | Stecker                    | 0 077 747         |
| 312        | Temporisateur hyd.               | Hyd.retarder             | Hyd.temporär Retarder      | 7 088 837         |
| 313        | Joint O'Ring GV/carter           | O'Ring                   | O'Ring                     |                   |
| 1          |                                  |                          |                            | 0 088 466         |
| 2+3        |                                  |                          |                            | 0 088 928         |



Fabriqué en EU. Made in EU. Hergestellt in EU.  
Document non contractuel. Non contractual document. Angaben ohne Gewähr.

**CUENOD Thermotechnique**  
B.P. 521  
74112 Annemasse – Cedex  
FRANCE