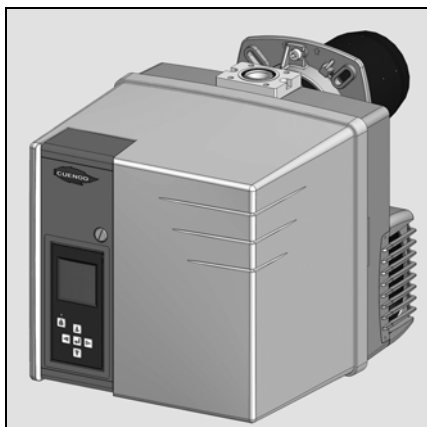


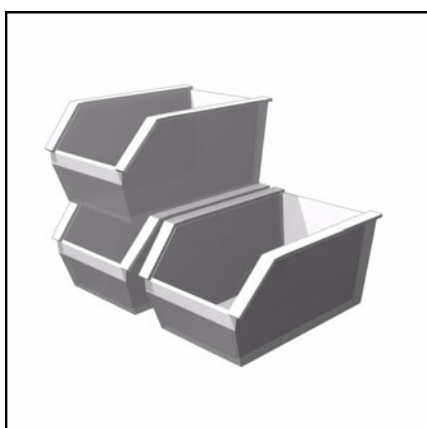
Données techniques
Dati tecnici
Technical data
Технические характеристики
Datos técnicos



fr, it..... 4200 1027 5400
en, ru..... 4200 1027 5500
es 4200 1030 8600



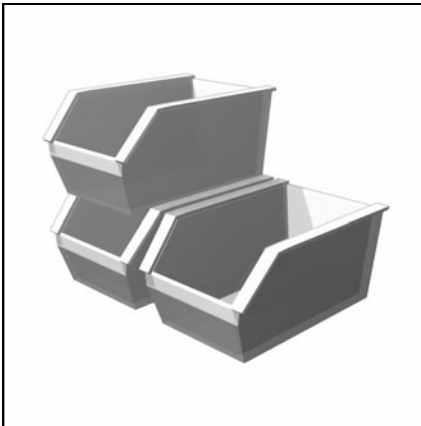
Schémas électrique et hydraulique
Schemi elettrico e idraulico
Electric and hydraulic diagrams
Электрические и гидравлические схемы
Esquemas eléctrico e hidráulico



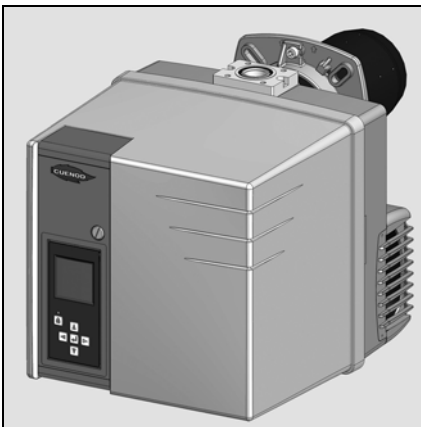
Pièces de rechange
Pezzi di ricambio
Spare parts list
Запчасти
Piezas de recambio



NC12 GX5A
NC16 GX5A
NC21 GX5A



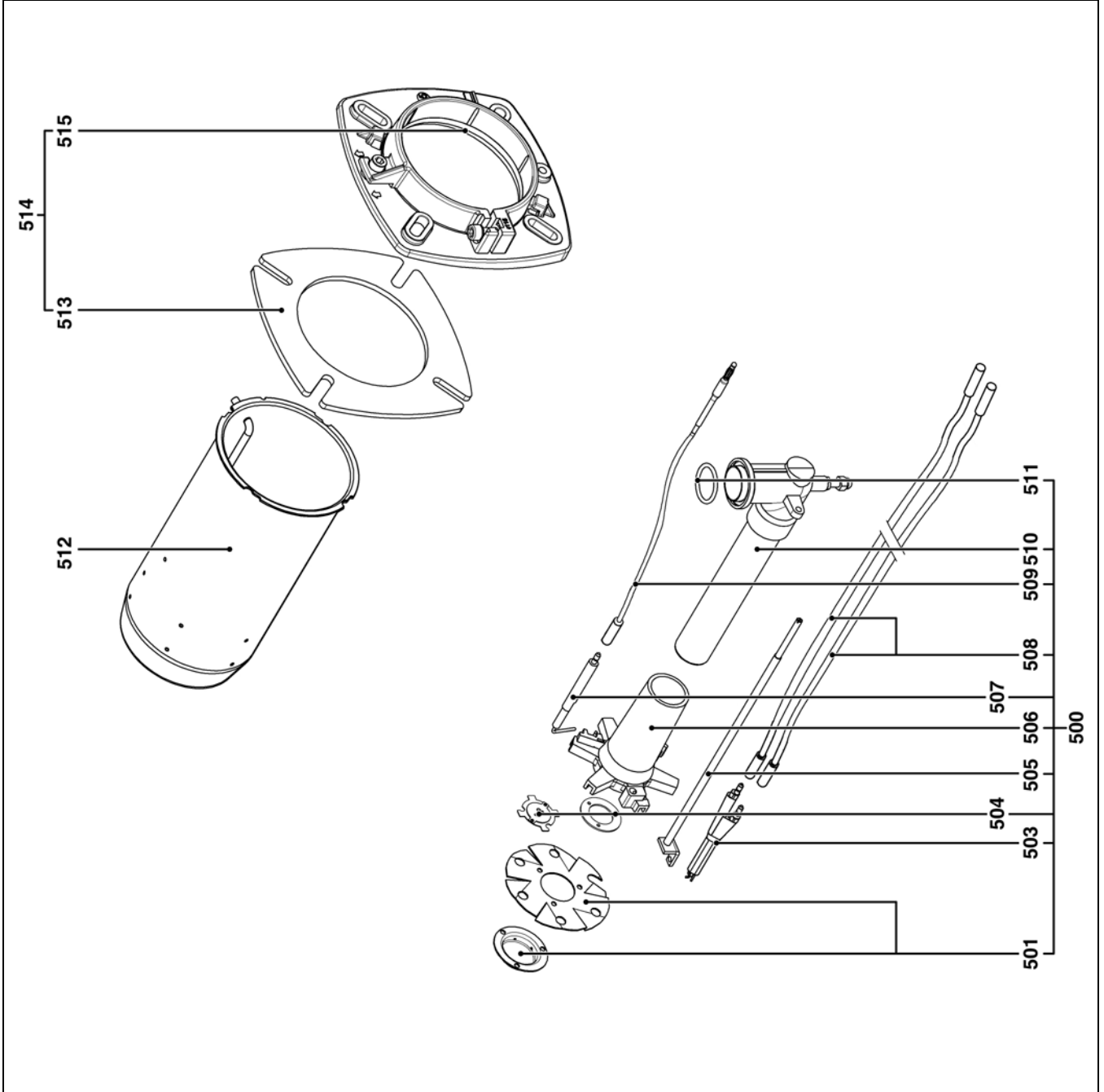
Pièces de rechange
Pezzi di ricambio
Spare parts list
Запчасти
Piezas de recambio



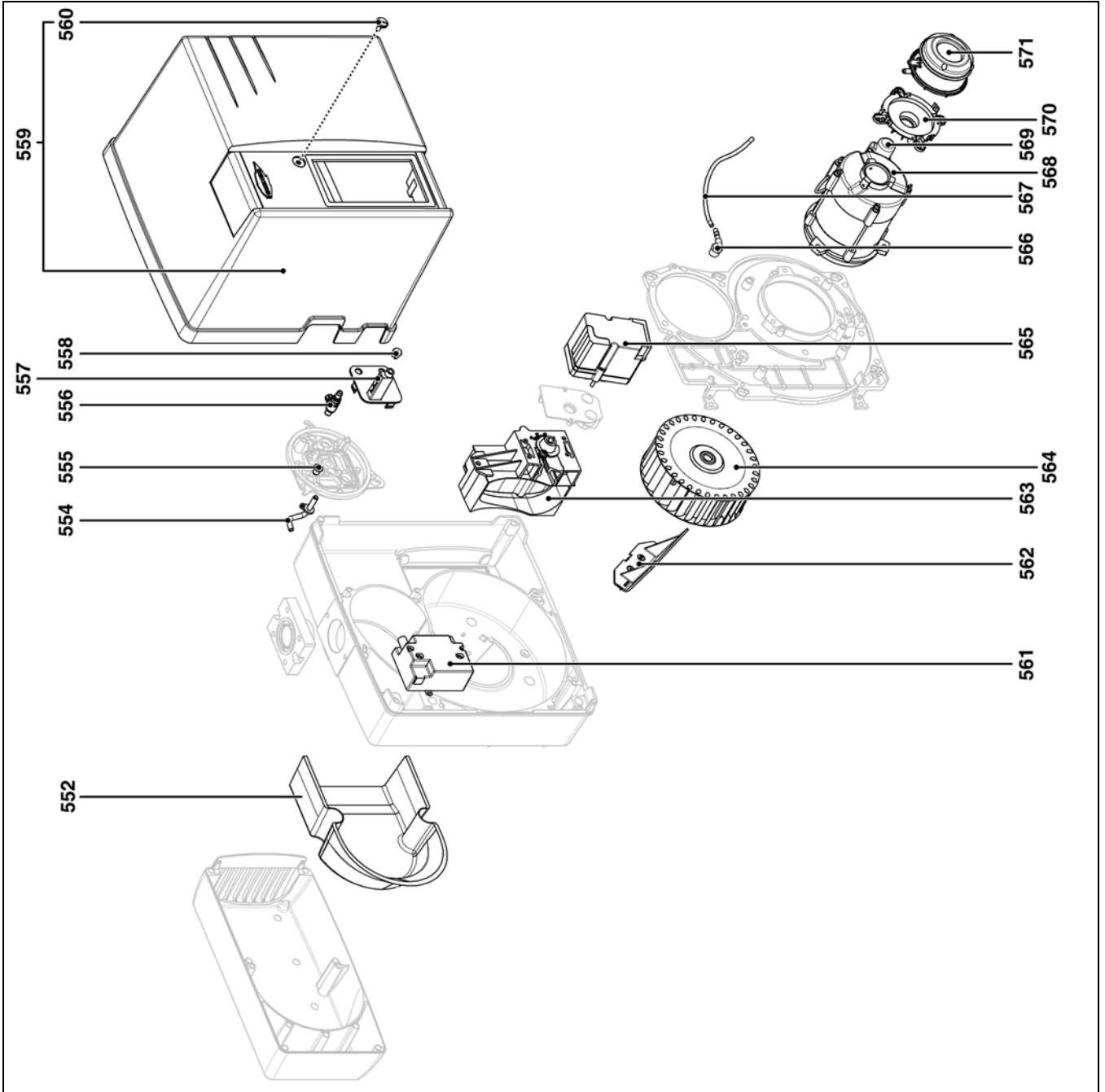
NC12 GX5A		
p20 d3/4" - Rp3/4"	T1	3 833 231
p20 d3/4" - Rp3/4"	T2	3 833 232
p300 d3/4" - Rp3/4"	T1	3 833 235
p300 d3/4" - Rp3/4"	T2	3 833 236
NC16 GX5A		
p20 d3/4" - Rp3/4"	T1	3 833 233
p20 d3/4" - Rp3/4"	T2	3 833 234
p300 d3/4" - Rp3/4"	T1	3 833 237
p300 d3/4" - Rp3/4"	T2	3 833 238
NC21 GX5A		
p20-300 d3/4" - Rp3/4"	T1	3 833 024
p20-300 d3/4" - Rp3/4"	T2	3 833 197
p20 d3/4" - Rp3/4"	T1	3 833 241
p20 d3/4" - Rp3/4"	T2	3 833 242
p20 d1,1/4" - Rp1,1/4"	T1	3 833 239
p20 d1,1/4" - Rp1,1/4"	T2	3 833 240



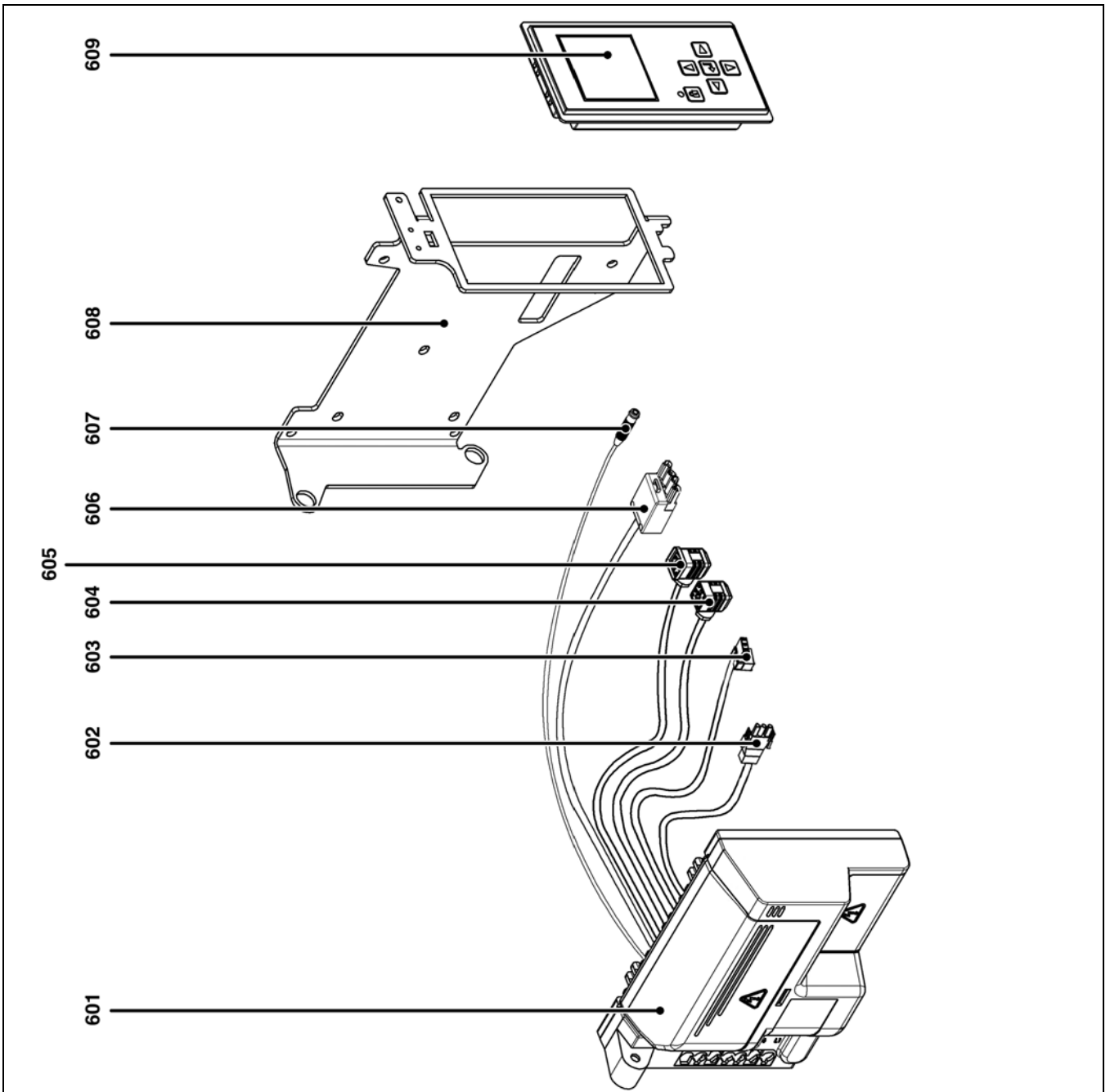
Pos.		Art. Nr.
500	NC12 GX5A Lg 230 T1 Lg 350 T2	65 300 762* 65 300 763*
	NC16/21 GX5A Lg 230 T1 Lg 350 T2	65 300 764* 65 300 765*
501	NC12 GX5A NC16/21 GX5A	13 019 123 13 015 802
503	NC12/16/21 GX5A	65 300 738
504	NC12 GX5A NC16/21 GX5A	13 019 125 13 018 630
505	NC12 GX5A T1 T2 NC16/21 GX5A T1 T2	13 022 192 13 022 193 13 018 033 13 018 034
506	NC12 GX5A NC16/21 GX5A	13 010 532 13 010 023
507	NC12/16/21 GX5A	13 010 529
508	NC12/16/21 GX5A Lg 365 T1 Lg 510 T2	13 013 524 13 014 990
509	NC12/16/21 GX5A T1 T2	65 300 324 13 015 121
510	NC12 GX5A T1 T2 NC16/21 GX5A T1 T2	13 018 027 13 018 028 13 021 643 13 020 258
511	NC12/16/21 GX5A	13 018 089
512	NC12 GX5A Ø115/75 x 230 T1 x 350 T2 NC16/21 GX5A Ø115/100 x 230 T1 x 350 T2	13 021 993 13 021 994 13 021 991 13 021 992
513	NC12/16/21 GX5A	13 018 135
514	NC12/16/21 GX5A	13 018 134
515	NC12/16/21 GX5A	13 020 517



Pos.	Art. Nr.
552	NC12/16/21 GX5A 13 017 369
554	NC12/16/21 GX5A 13 021 961
555	NC12/16/21 GX5A 13 007 808
556	NC12/16/21 GX5A 13 015 502
557	NC12/16/21 GX5A 13 020 501
558	NC12/16/21 GX5A 13 010 058
559	NC12/16/21 GX5A 65 300 769
560	NC12/16/21 GX5A 65 300 519
561	NC12/16/21 GX5A 65 300 469
562	NC12 GX5A NC16/21 GX5A 13 017 363 13 017 364
563	NC12/16/21 GX5A 13 018 138
564	NC12 GX5A Ø146x52 NC16/21 GX5A Ø160x52 13 010 012 13 010 095
565	NC12/16/21 GX5A 65 300 527
566	NC12/16/21 GX5A 13 013 352
567	NC12/16/21 GX5A 13 015 497
568	NC12/16 GX5A NC21 GX5A 13 009 981 13 010 014
569	NC12/16 GX5A 5µF NC21 GX5A 6µF 13 009 983 13 010 016
570	NC12/16/21 GX5A 13 020 723
571	NC12/16/21 GX5A 13 020 502



Pos.	Art. Nr.	Art. Nr.
601	NC12/16/21 GX5A	65 300 843
602	NC12/16/21 GX5A	65 300 643
603	NC12/16/21 GX5A	65 300 619
604	NC12/16/21 GX5A	65 300 648
605	NC12/16/21 GX5A	13 023 698
606	NC12/16/21 GX5A	65 300 531
607	NC12/16/21 GX5A	65 300 158
608	NC12/16/21 GX5A	65 300 727 *
609	NC12/16/21 GX5A	65 300 790



Pos.	Art. Nr.
400	13 018 098
	13 018 623
402	13 009 722
410	407 B01 S30 Rp 3/4
	407 B01 S10 Rp 3/4
	412 B01 S10 Rp 1"1/4
411	13 010 078
412	13 020 614
	13 020 615
413	13 015 555
	13 015 560
414	13 010 076
	13 012 041
415	13 019 198
416	65 300 673
420	13 019 200
	13 019 201
430	13 010 074
	13 010 085

