

## SPARE PARTS EXPLODED VIEW OIL BURNER

Model

**CB-C75-100-H2**

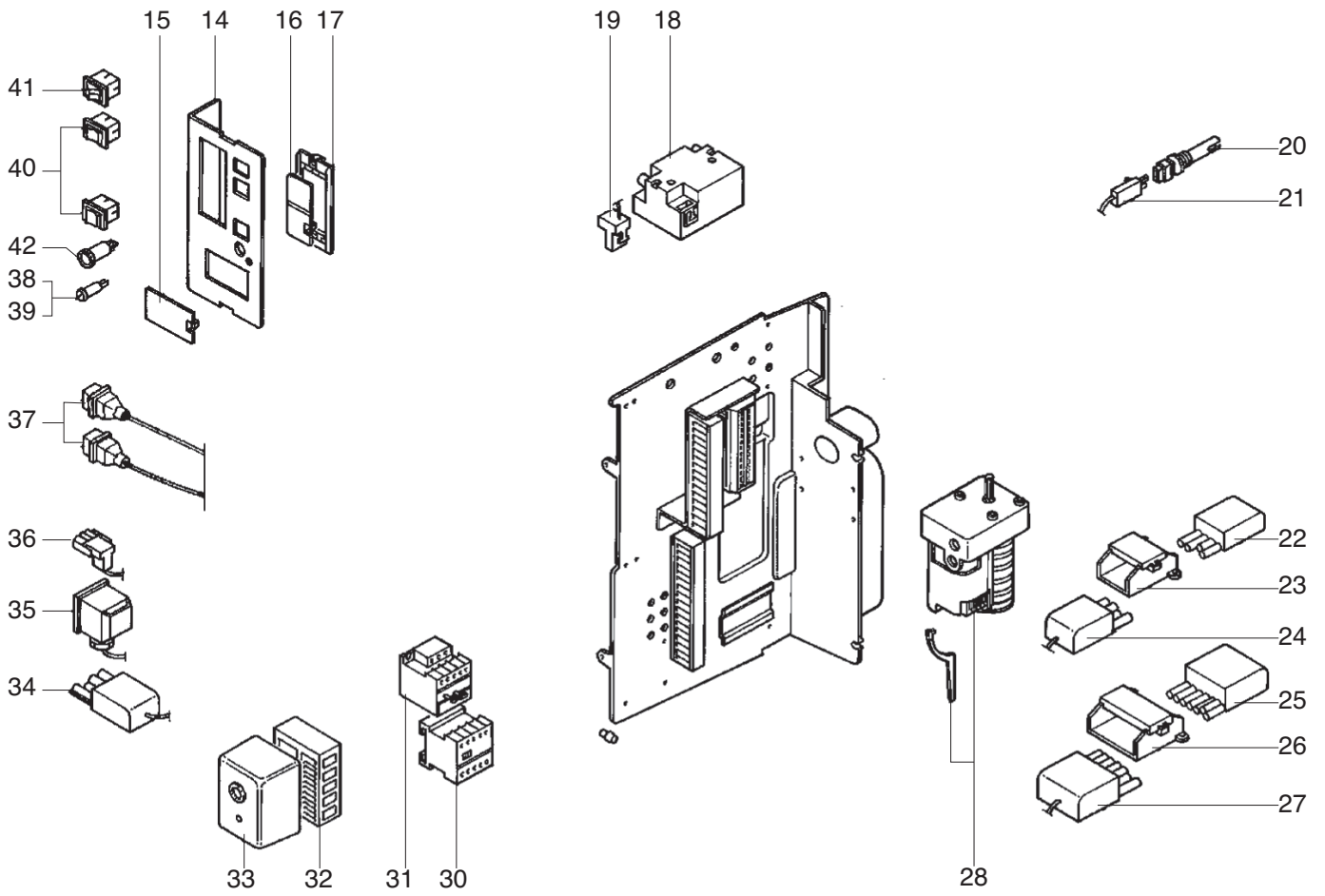
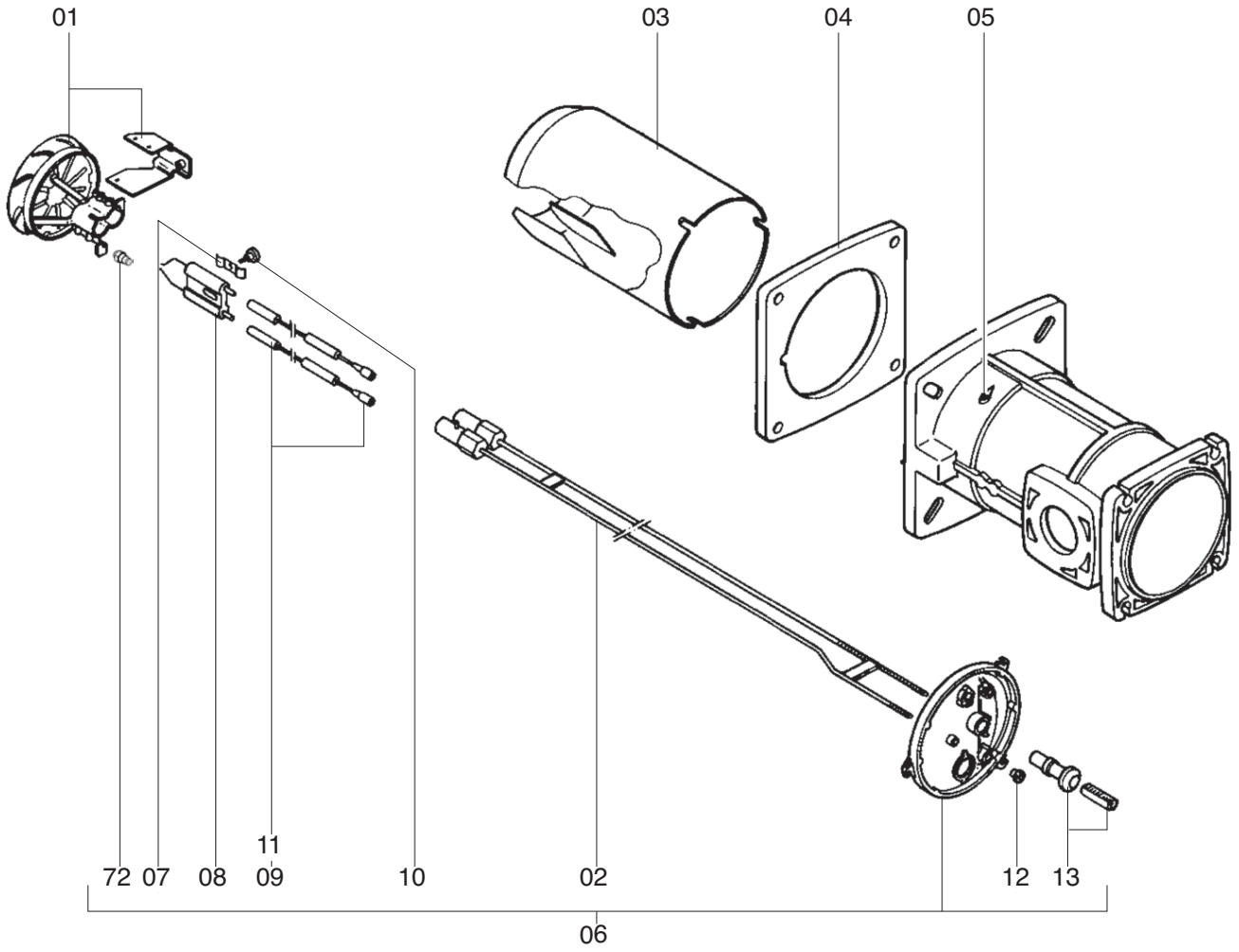
R8220051-02 - 01/09/2017

C75-100 H201

Oil burner

|   |          |                 |         |         |
|---|----------|-----------------|---------|---------|
| 1 | 13008212 | BB-C75 H201     | 06-2002 | 09-2012 |
| 2 | 13008213 | BB-C100 H201    | 06-2002 | 09-2012 |
| 3 | 13000177 | CH-O631 - T1/KN | 09-2006 | 04-2016 |
| 4 | 13000178 | CH-O631 - T2/KL | 09-2006 | 10-2012 |
| 5 | 13000179 | CH-O631 - T3/KM | 06-2008 | 04-2016 |
| 6 | 13000180 | CH-O632 - T1/KN | 09-2006 | 10-2012 |
| 7 | 13000181 | CH-O632 - T2/KL | 09-2006 | 10-2012 |
| 8 | 13000182 | CH-O632 - T3/KM | 09-2006 | 10-2012 |

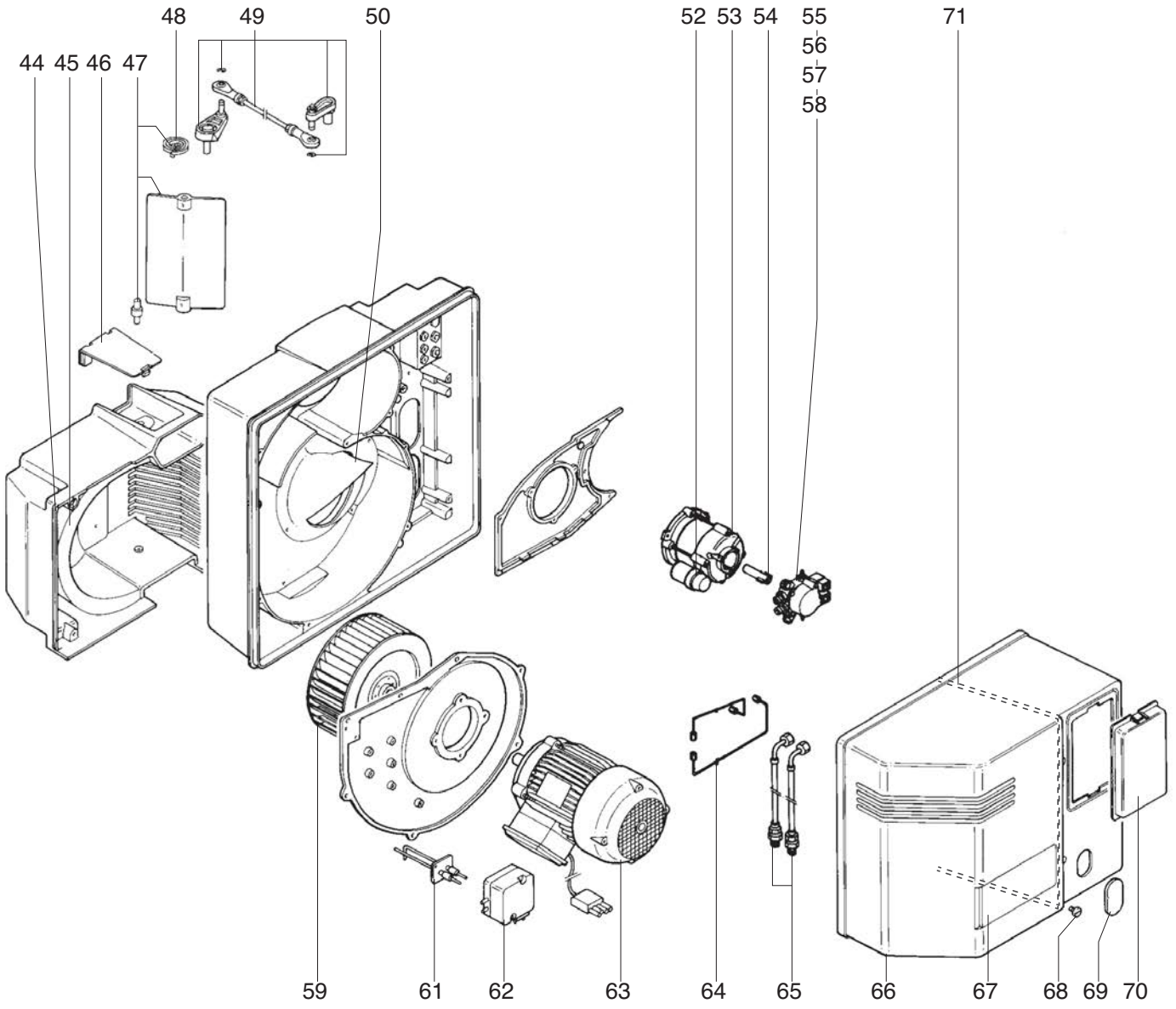
| Col | Reference | Model type | Begin | End |
|-----|-----------|------------|-------|-----|
|-----|-----------|------------|-------|-----|

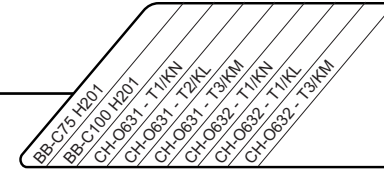



| ☉➔   | Description                              | Manf. Pt. N | Type | <div style="border: 1px solid black; padding: 5px;"> <div style="display: flex; justify-content: space-between;"> <div style="writing-mode: vertical-rl; transform: rotate(180deg); font-size: 8px;">             BB-C75 H201<br/>             BR-C100 H201<br/>             CH-O631-T1/KN<br/>             CH-O631-T2/KL<br/>             CH-O631-T3/KM<br/>             CH-O632-T1/KN<br/>             CH-O632-T2/KL<br/>             CH-O632-T3/KM           </div> <div style="border: 1px solid black; padding: 2px; font-weight: bold;">31</div> </div> </div> |   |   |   |   |   |   |   |   |    |    |    |    |    |    |    |    |    | From | to |
|------|--|-------------|------|--|---|---|---|---|---|---|---|---|----|----|----|----|----|----|----|----|----|------|----|
|      |  |             |      | 1  | 2 | 3 | 4 | 5 | 6 | 7 | 8 | 9 | 10 | 11 | 12 | 13 | 14 | 15 | 16 | 17 | 18 |      |    |
| 0001 | BAFFLE PLATE D125/40 9SL R               | 13011594    |      |  |   |   |   |   |   |   |   |   |    |    |    |    |    |    |    |    |    |      |    |
|      | BAFFLE PLATE D130/40 9SL R               | 13011593    |      |  |   | ● | ● | ● |   |   |   |   |    |    |    |    |    |    |    |    |    |      |    |
| 0002 | NOZZLE ROD D8 L711 M8 2 TUBES DIST.33    | 13011595    |      |  |   | ● |   |   | ● |   |   |   |    |    |    |    |    |    |    |    |    |      |    |
|      | NOZZLE ROD D8 L821 M8 2 TUBES DIST.33    | 13011597    |      |  |   |   |   |   | ● |   |   |   |    |    |    |    |    |    |    |    |    |      |    |
|      | NOZZLE ROD D8 L931 M8 2 TUBES DIST.33    | 13011596    |      |  |   |   | ● |   |   | ● |   |   |    |    |    |    |    |    |    |    |    |      |    |
| 0003 | FLAME TUBE D170/141/125 L305             | 13011601    |      |  |   |   |   |   |   | ● |   |   |    |    |    |    |    |    |    |    |    |      |    |
|      | FLAME TUBE D170/141/125 L415             | 13011603    |      |  |   |   |   |   |   |   |   |   |    |    |    |    |    |    |    |    | ●  |      |    |
|      | FLAME TUBE D170/141/125 L525             | 13011602    |      |  |   |   |   |   |   |   |   |   |    |    |    |    |    |    |    |    | ●  |      |    |
|      | FLAME TUBE D170/141/130 L305             | 13011598    |      |  |   | ● |   |   |   |   |   |   |    |    |    |    |    |    |    |    |    |      |    |
|      | FLAME TUBE D170/141/130 L415             | 13011600    |      |  |   |   |   |   |   | ● |   |   |    |    |    |    |    |    |    |    |    |      |    |
|      | FLAME TUBE D170/141/130 L525 TURBU.D133  | 13009614    |      |  |   |   |   |   |   | ● |   |   |    |    |    |    |    |    |    |    |    |      |    |
| 0004 | GASKET/BURNER FLANGE 228X220X10 D180     | 13009619    |      |  |   | ● | ● | ● | ● | ● | ● |   |    |    |    |    |    |    |    |    |    |      |    |
| 0005 | M6 SCREW (LEFT HAND) BURNER TUBE FIX.    | 13007804    |      |  |   | ● | ● | ● | ● | ● | ● |   |    |    |    |    |    |    |    |    |    |      |    |
| 0006 | COMB.HEAD OIL L711 D168 COVER CPL.       | 13011648    |      |  |   | ● |   |   |   | ● |   |   |    |    |    |    |    |    |    |    |    |      |    |
|      | COMB.HEAD OIL L821 D168 COVER CPL.       | 13011650    |      |  |   |   |   |   |   | ● |   |   |    |    |    |    |    |    |    |    | ●  |      |    |
|      | COMB.HEAD OIL L931 D168 COVER CPL.       | 13011649    |      |  |   |   |   |   |   | ● |   |   |    |    |    |    |    |    |    |    | ●  |      |    |
| 0007 | FLANGE 20X11X2,6 FIX. ELECTRODE          | 13009725    |      |  |   | ● | ● | ● | ● | ● | ● |   |    |    |    |    |    |    |    |    |    |      |    |
| 0008 | ELECTROD.BLOC.27X55 d6,4 D2X23 45°+SCREW | 13009726    |      |  |   | ● | ● | ● | ● | ● | ● |   |    |    |    |    |    |    |    |    |    |      |    |
| 0009 | IGNITION CABLE D4/D6,35 L1050            | 13009624    |      |  |   |   |   |   |   | ● | ● |   |    |    |    |    |    |    |    |    |    |      |    |
|      | IGNITION CABLE D4/D6,35 L850             | 13009623    |      |  |   |   |   |   |   | ● |   |   |    |    |    |    |    |    |    |    |    |      |    |
| 0010 | WASHER HEAD SCREW M4/ELECTRODES BLOCK    | 13010049    |      |  |   | ● | ● | ● | ● | ● | ● |   |    |    |    |    |    |    |    |    |    |      |    |
| 0011 | RUBBER CAP/IGNITION CABLE                | 13009625    |      |  |   | ● | ● | ● | ● | ● | ● |   |    |    |    |    |    |    |    |    |    |      |    |
| 0012 | RUBBER FUNNEL                            | 13011369    |      |  |   | ● | ● | ● | ● | ● | ● |   |    |    |    |    |    |    |    |    |    |      |    |
| 0013 | BUTTON D35/20X60+VERNIER D12/8X48+CLIPS  | 13007852    |      |  |   | ● | ● | ● | ● | ● | ● |   |    |    |    |    |    |    |    |    |    |      |    |
| 0014 | CENTRAL CONTROL PANEL                    | 13011508    |      |  |   | ● | ● |   |   |   |   |   |    |    |    |    |    |    |    |    |    |      |    |
| 0015 | TRANSLUCENT SHUTTER/CONSOLE              | 13009790    |      |  |   | ● | ● |   |   |   |   |   |    |    |    |    |    |    |    |    |    |      |    |
| 0016 | SHUTTER/CONSOLE                          | 13009661    |      |  |   | ● | ● |   |   |   |   |   |    |    |    |    |    |    |    |    |    |      |    |
| 0017 | LOAD CONTR. SUPPORT                      | 13009662    |      |  |   | ● | ● |   |   |   |   |   |    |    |    |    |    |    |    |    |    |      |    |
| 0018 | IGNITION TRANSFORMER EBI 2X7.5 230V      | 13009663    |      |  |   | ● | ● |   |   |   |   |   |    |    |    |    |    |    |    |    |    |      |    |
| 0019 | CABLE IGNIT.TRANSFO+PLUG 2P 3X0,75 L450  | 13009993    |      |  |   | ● | ● |   |   |   |   |   |    |    |    |    |    |    |    |    |    |      |    |
| 0020 | PHOTOCELL MZ 770 S                       | 13009774    |      |  |   | ● | ● |   |   |   |   |   |    |    |    |    |    |    |    |    |    |      |    |
| 0021 | CABLE CELL MZ+PLUG2P/2X0,75 L450         | 13009775    |      |  |   | ● | ● |   |   |   |   |   |    |    |    |    |    |    |    |    |    |      |    |
| 0022 | WIELAND PLUG 4P.MALE GREEN               | 13009667    |      |  |   | ● | ● |   |   |   |   |   |    |    |    |    |    |    |    |    |    |      |    |
| 0023 | HOOD/WIELAND PLUG 4P.ST18/4              | 13009668    |      |  |   | ● | ● |   |   |   |   |   |    |    |    |    |    |    |    |    |    |      |    |
| 0024 | CABLE REGUL.+PLUGWIE. 4P 4X0,75 L620     | 13011515    |      |  |   | ● | ● |   |   |   |   |   |    |    |    |    |    |    |    |    |    |      |    |
| 0025 | WIELAND PLUG 7P SILK-SCREEN PRINTED      | 13010523    |      |  |   | ● | ● |   |   |   |   |   |    |    |    |    |    |    |    |    |    |      |    |
| 0026 | HOOD/WIELAND PLUG 7P                     | 13009671    |      |  |   | ● | ● |   |   |   |   |   |    |    |    |    |    |    |    |    |    |      |    |
| 0027 | CABLE+PLUG 7P/7X0,75 L620                | 13009672    |      |  |   | ● | ● |   |   |   |   |   |    |    |    |    |    |    |    |    |    |      |    |
| 0028 | ACTUATOR SQN 31.151 A2766                | 13009776    |      |  |   | ● | ● |   |   |   |   |   |    |    |    |    |    |    |    |    |    |      |    |
| 0030 | THERM. RELAY T.LR2K 2.6-3.7              | 13009674    |      |  |   | ● | ● |   |   |   |   |   |    |    |    |    |    |    |    |    |    |      |    |
| 0031 | CONTACTOR LC1 K0910M7 SCH                | 13009778    |      |  |   | ● | ● |   |   |   |   |   |    |    |    |    |    |    |    |    |    |      |    |
| 0032 | CONTROL BOX BASE SH&SG...                | 13009780    |      |  |   | ● | ● |   |   |   |   |   |    |    |    |    |    |    |    |    |    |      |    |
| 0033 | CONTROL UNIT SH 213 C1                   | 13011049    |      |  |   | ● | ● |   |   |   |   |   |    |    |    |    |    |    |    |    |    |      |    |
| 0034 | CABLE MOTOR+PLUG WIE. 4P 4X1,5 L600      | 13009782    |      |  |   | ● | ● |   |   |   |   |   |    |    |    |    |    |    |    |    |    |      |    |
| 0035 | CABLE AIR P.SWITCH+PLUGDIN/3X0,75 L1450  | 13009783    |      |  |   | ● | ● |   |   |   |   |   |    |    |    |    |    |    |    |    |    |      |    |
| 0036 | CABLE MOTOR GMP+PLUG 3P. L1700           | 13009800    |      |  |   | ● | ● |   |   |   |   |   |    |    |    |    |    |    |    |    |    |      |    |
| 0037 | CABLE VALVE + PLUG DIN/3X0,75 L1700      | 13011647    |      |  |   | ● | ● |   |   |   |   |   |    |    |    |    |    |    |    |    |    |      |    |
| 0038 | FUSE HOLDER + FUSE 6.3A                  | 13016457    |      |  |   | ● | ● |   |   |   |   |   |    |    |    |    |    |    |    |    |    |      |    |
| 0039 | FUSE 5X20 6,3 A(FUS.LENTE)               | 13009686    |      |  |   | ● | ● |   |   |   |   |   |    |    |    |    |    |    |    |    |    |      |    |
| 0040 | 3 POS SWITCH                             | 13009683    |      |  |   | ● | ● |   |   |   |   |   |    |    |    |    |    |    |    |    |    |      |    |
| 0041 | SWITCH LIGHT 2 POSITION                  | 13009787    |      |  |   | ● | ● |   |   |   |   |   |    |    |    |    |    |    |    |    |    |      |    |
| 0042 | PUSH BUTTON BRIGHT/RESET CONTROL UNIT    | 13009788    |      |  |   | ● | ● |   |   |   |   |   |    |    |    |    |    |    |    |    |    |      |    |
| 0072 | NOZZLE DAN 5,00GPH 45° B                 | 13016044    |      |  |   |   |   | ● | ● | ● |   |   |    |    |    |    |    |    |    |    |    |      |    |
|      | NOZZLE DAN 6,00GPH 45° B                 | 13016046    |      |  |   |   |   | ● | ● | ● |   |   |    |    |    |    |    |    |    |    |    |      |    |
|      | NOZZLE DAN 6,50GPH 45° B                 | 13016045    |      |  |   |   |   |   |   |   | ● | ● | ●  |    |    |    |    |    |    |    |    |      |    |
|      | NOZZLE DAN 7,50GPH 45° B                 | 13016047    |      |  |   |   |   |   |   |   |   |   | ●  | ●  | ●  |    |    |    |    |    |    |      |    |

C75-100 H201

Oil burner



| ☰    | Description                            | Manf. Pt. N | Type |  |   |   |   |   |   |   |   |   |    |    |    |    |    |  |    |    |    |      |
|------|--|-------------|------|---|---|---|---|---|---|---|---|---|----|----|----|----|----|---|----|----|----|------|
|      |  |             |      | 1   | 2 | 3 | 4 | 5 | 6 | 7 | 8 | 9 | 10 | 11 | 12 | 13 | 14 | 15  | 16 | 17 | 18 | From |
| 0044 | GASKET/CASING AIR109X6X7 PROFILED      | 13009640    |      | ●   | ● |   |   |   |   |   |   |   |    |    |    |    |    |   |    |    |    |      |
| 0045 | AIR BOX INSULATION                     | 13009641    |      | ●   | ● |   |   |   |   |   |   |   |    |    |    |    |    |   |    |    |    |      |
| 0046 | AIR BOX COVER                          | 13009642    |      | ●   | ● |   |   |   |   |   |   |   |    |    |    |    |    |   |    |    |    |      |
| 0047 | AIR FLAP WITH FITTINGS                 | 13014117    |      | ●   | ● |   |   |   |   |   |   |   |    |    |    |    |    |   |    |    |    |      |
| 0048 | SPRING/AIR FLAP RED                    | 13011507    |      | ●   | ● |   |   |   |   |   |   |   |    |    |    |    |    |   |    |    |    |      |
| 0049 | AIR FLAP COUPLING/SQN-SQM EQ.L247      | 13011564    |      | ●   | ● |   |   |   |   |   |   |   |    |    |    |    |    |   |    |    |    |      |
| 0050 | AIR RECIRCULATION (BLACK)              | 13009645    |      | ●   |   |   |   |   |   |   |   |   |    |    |    |    |    |   |    |    |    |      |
|      | AIR RECIRCULATION (WHITE)              | 13009646    |      |   | ● |   |   |   |   |   |   |   |    |    |    |    |    |   |    |    |    |      |
| 0052 | CAPACITOR 4µF 2P 3mm                   | 13011117    |      | ●   | ● |   |   |   |   |   |   |   |    |    |    |    |    |   |    |    |    |      |
| 0053 | MOTOR 0.16KW 230V GMP                  | 13011607    |      | ●   | ● |   |   |   |   |   |   |   |    |    |    |    |    |   |    |    |    |      |
| 0054 | COUPLING D18/14,7/11X22 PUMP/MOTOR     | 65074172    |      | ●   | ● |   |   |   |   |   |   |   |    |    |    |    |    |   |    |    |    |      |
| 0055 | OIL PUMP A2L 65 D 9703                 | 13011509    |      | ●   |   |   |   |   |   |   |   |   |    |    |    |    |    |   |    |    |    |      |
|      | OIL PUMP A2L 95 D 9702                 | 13011006    |      |   | ● |   |   |   |   |   |   |   |    |    |    |    |    |   |    |    |    |      |
| 0056 | COIL SUN PUMP AL35                     | 13007680    |      | ●   | ● |   |   |   |   |   |   |   |    |    |    |    |    |   |    |    |    |      |
| 0057 | KIT FILTER D20 SUN PUMP A 47/57/67     | 13010468    |      | ●   |   |   |   |   |   |   |   |   |    |    |    |    |    |   |    |    |    |      |
|      | SUN PUMP FILTER A2L/AT2 95             | 13011007    |      |   | ● |   |   |   |   |   |   |   |    |    |    |    |    |   |    |    |    |      |
| 0058 | GASKET/COVER-PUMP SUN A 991523 (X10)   | 13010002    |      | ●   | ● |   |   |   |   |   |   |   |    |    |    |    |    |   |    |    |    |      |
| 0059 | FAN WHEEL D240X82 D19                  | 13009649    |      | ●   | ● |   |   |   |   |   |   |   |    |    |    |    |    |   |    |    |    |      |
| 0061 | AIR PRES. TAP NOZZLE BLACK             | 13009650    |      | ●   |   |   |   |   |   |   |   |   |    |    |    |    |    |   |    |    |    |      |
|      | DIFFERENTIAL PRESS. TAP (WHITE)        | 13009651    |      |   | ● |   |   |   |   |   |   |   |    |    |    |    |    |   |    |    |    |      |
| 0062 | AIR PRESS. SWITCH LGW 10 A2 1-10MB DIN | 13009652    |      | ●   | ● |   |   |   |   |   |   |   |    |    |    |    |    |   |    |    |    |      |
| 0063 | MOTOR 1.1KW 230/400V D19 + PLUG        | 13009653    |      | ●   |   |   |   |   |   |   |   |   |    |    |    |    |    |   |    |    |    |      |
|      | MOTOR 1.5KW 230/400V D19 + PLUG        | 13009654    |      |   | ● |   |   |   |   |   |   |   |    |    |    |    |    |   |    |    |    |      |
| 0064 | TUBE PUMP/NOZZLE LINE 2 ST.            | 13018327    |      | ●   | ● |   |   |   |   |   |   |   |    |    |    |    |    |   |    |    |    |      |
|      | TUBES PUMP/NOZZLE LINE                 | 13000969    |      | ●   | ● |   |   |   |   |   |   |   |    |    |    |    |    |   |    |    |    |      |
| 0065 | FUEL HOSE L 1.5M                       | 13009815    |      | ●   | ● |   |   |   |   |   |   |   |    |    |    |    |    |   |    |    |    |      |
| 0066 | COVER C70...210                        | 13015646    |      | ●   | ● |   |   |   |   |   |   |   |    |    |    |    |    |   |    |    |    |      |
| 0067 | FRONT COVER C75                        | 13016400    |      | ●   |   |   |   |   |   |   |   |   |    |    |    |    |    |   |    |    |    |      |
|      | PRINTED FRONT PLATE C 100              | 13016419    |      |   | ● |   |   |   |   |   |   |   |    |    |    |    |    |   |    |    |    |      |
| 0068 | SCREW FIXING COVER D16 M5X15           | 13009657    |      | ●   | ● |   |   |   |   |   |   |   |    |    |    |    |    |   |    |    |    |      |
| 0069 | CAP / COVER                            | 13009742    |      | ●   | ● |   |   |   |   |   |   |   |    |    |    |    |    |   |    |    |    |      |
| 0070 | HOOD COVER                             | 13009659    |      | ●   | ● |   |   |   |   |   |   |   |    |    |    |    |    |   |    |    |    |      |
| 0071 | GASKET/COVER 10X3 L1000                | 13009772    |      | ●   | ● |   |   |   |   |   |   |   |    |    |    |    |    |   |    |    |    |      |

C75-100 H201

Oil burner

