

## SPARE PARTS EXPLODED VIEW OIL BURNER

Model

**C10-C14-C18-C22 H101**

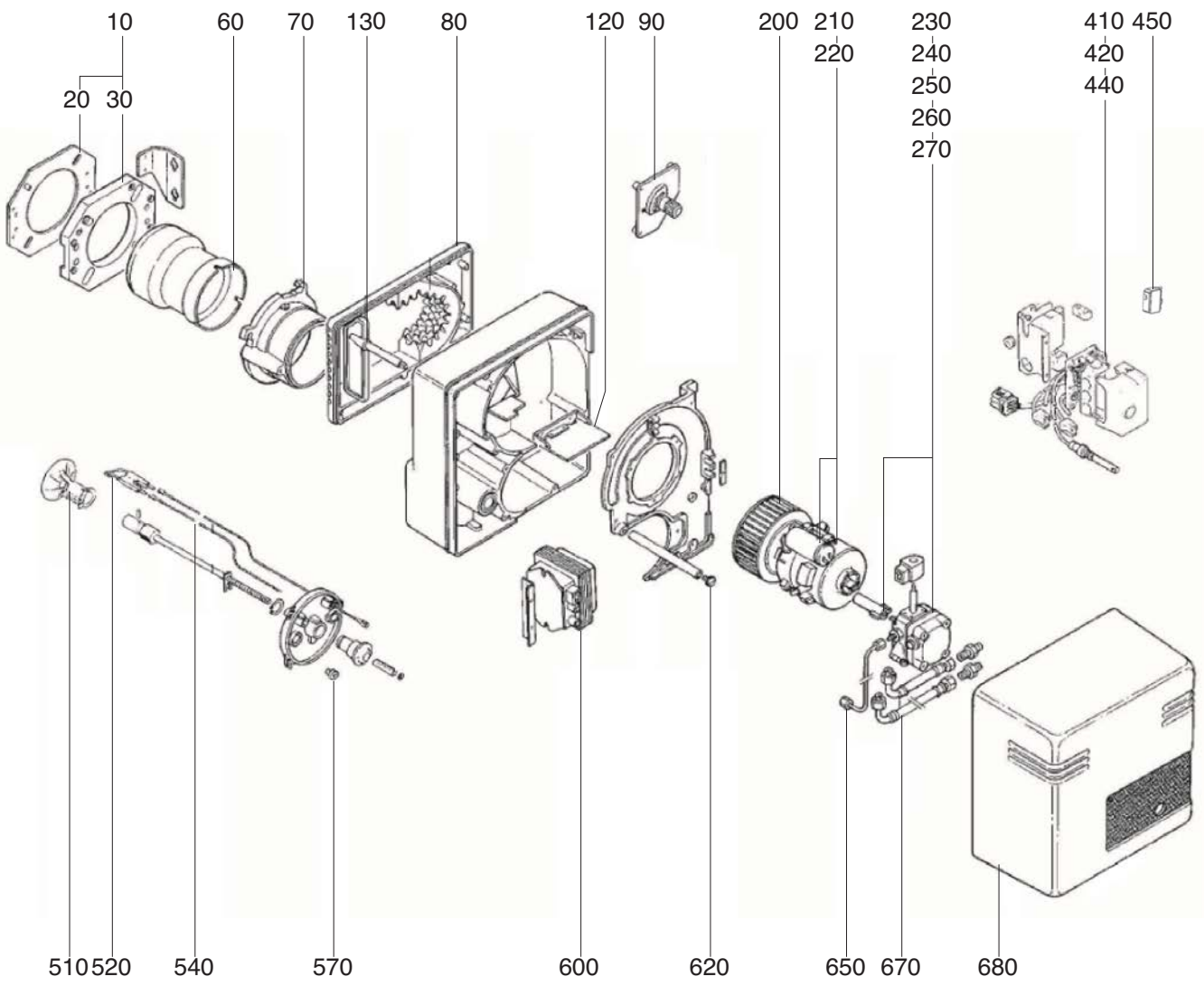
R8220206-01 - 26/04/2017

C10-22 H101 T1-T2

Oil burner

1	0201244	C10 H101 T1	01-1984	01-2005
1	0201333	C10 H101 T1	01-1984	01-2005
2	0201245	C10 H101 T2	01-1984	01-2005
2	0201334	C10 H101 T2	01-1984	01-2005
3	0201324	C14 H101 T1	01-1984	01-2005
3	0201337	C14 H101 T1	01-1984	01-2005
4	0201325	C14 H101 T2	01-1984	01-2005
4	0201338	C14 H101 T2	01-1984	01-2005
5	0201641	C18 H101 T1	01-1984	06-1999
5	0201651	C18 H101 T1	01-1984	06-1999
6	0201642	C18 H101 T2	01-1984	06-1999
6	0201652	C18 H101 T2	01-1984	06-1999
7	0201644	C22 H101 T1	01-1984	06-1999
7	0201653	C22 H101 T1	01-1984	06-1999
8	0201645	C22 H101 T2	01-1984	06-1999
8	0201654	C22 H101 T2	01-1984	06-1999

Col	Reference	Model type	Begin	End
-----	-----------	------------	-------	-----



Code	Description	Manf. Pt. N	Type																			31							
				C10-H101-T1	C10-H101-T2	C14-H101-T1	C14-H101-T2	C18-H101-T1	C18-H101-T2	C22-H101-T1	C22-H101-T2	1	2	3	4	5	6	7	8	9	10	11	12	13	14	15	16	17	18
0010	BOILER ACCESSORY D110 WIELAND PLUG 7P.	13015508			●	●																							
	BOILER ACCESSORY D126 WIELAND PLUG 7P.	13012383					●	●	●	●	●	●	●	●															
0020	GASKET/BURN.FLANGE 180X155X10 D110 WHITE	13012386			●	●																							
	GASKET/BURNER FLANGE 215X175X8 D126	13009973					●	●	●	●	●	●	●																
0030	BURNER FLANGE D126 EXT.D180X220	13010000					●	●	●	●	●	●																	
0060	FLAME TUBE D115/96/90 L148	13019153					●		●		●																		
	FLAME TUBE D115/96/90 L268	13018549							●		●																		
	FLAME TUBE D78/100 L145	13015986			●																								
	FLAME TUBE D78/100 L265	13015924				●																							
0070	BURNER FIXING HEAD D100 L83	13019617			●	●																							
	BURNER FIXING HEAD D115	13018802					●	●	●	●	●	●																	
0080	AIR BOX 336X229X70+INSULATION	13011570								●	●	●	●																
0090	MANUAL AIR FLAP CONTROL+PLATE 67X54,5	13010010								●	●	●	●																
	MANUAL AIR FLAP CONTROL+PLATE 95X85	13015710			●	●	●	●																					
0120	AIR FLAP DEPRESSION	13016783								●	●	●	●																
	AIR FLAP DEPRESSION	13016782			●	●	●	●																					
0130	AIR FLAP 106X57 SPINDLE LOW.L48+UPP.L92	13005127								●	●	●	●																
	AIR FLAP 154X44 SPINDLE D10 L98	13012391			●	●	●	●																					
0200	FAN WHEEL D137 X52 D12,7	13012393			●	●	●	●																					
	FAN WHEEL D146 X52 D12,7	13010012								●	●																		
	FAN WHEEL D160 X52 D12,7	13010095											●	●															
0210	MOTOR 0,095KW230V D12,7	13020329			●	●	●	●																					
	MOTOR 0,16KW230V D12,7	13009981								●	●	●	●																
0220	CAPACITOR 4µF 2P 3mm	13011117			●	●	●	●																					
	CAPACITOR 5µF 2P 3mm	65325038								●	●	●	●																
	CAPACITOR 5µF 4P 6,4mm	13023330			●	●	●	●																					
0230	KIT FOR PUMP AS47D+ CONNECTION NIPPLE	13004800			●	●	●	●	●	●	●	●	●																
0240	COUPLING D18/14,7/11X22 PUMP/MOTOR	65074172			●	●	●	●	●	●	●	●	●																
0250	COIL SUN PUMP AS-AP-AL-AT-A2L	13010006			●	●	●	●	●	●	●	●	●																
0260	KIT FILTER D20 SUN PUMP A 47/57/67	13010468			●	●	●	●	●	●	●	●	●																
0270	GASKET/COVER-PUMP SUN A 991523 (X10)	13010002			●	●	●	●	●	●	●	●	●																
0410	CONTROL UNIT LOA 24.171 B2EM	65320028			●	●	●	●	●	●	●	●	●																
0420	PLUG-IN BASE.L&G AGK11	13011794			●	●	●	●	●	●	●	●	●																
0440	PHOTOCELL QRB 1B A042B20B L400	13012976			●	●	●	●	●	●	●	●	●																
0450	WIELAND PLUG 7P SILK-SCREEN PRINTED	13010523			●	●	●	●	●	●	●	●	●																
0510	BAFFLE PLATE D78/20 6SL L	13018140			●	●																							
	BAFFLE PLATE D90/20X79 6SL R	13009987					●	●	●	●	●	●	●																
0520	ELECTROD.BLOC.25X48 D4D1,5X22 45° +SCREW	13007907					●	●	●	●	●	●	●																
	ELECTRODE BLOCK 25X48 d4 D1,5X19 52°	13011119			●	●																							
0540	IGNITION CABLE D4/D4 L625 TEFLON	13015369			●	●	●	●	●	●	●	●	●																
0570	RUBBER FUNNEL BLACK D2,3/9	13010058			●	●	●	●	●	●	●	●	●																
0600	KIT REPLACE IGNITION TRANSF.ZM20/10 L420	65301258			●	●	●	●	●	●	●	●	●																
0620	SCREW FIXING COVER D16 M5X15	13009657			●	●	●	●	●	●	●	●	●																
0650	OIL HOSE DASH03-BANJO-3/8JIC L300	13021221			●	●	●	●	●	●	●	●	●																
0670	OIL HOSE L 1150 BY 2 UNITS	13007937			●	●	●	●	●	●	●	●	●																
0680	COVER HOUSING C 22	13015654										●	●	●															
	COVER HOUSING C10-C14	13015657			●	●	●	●																					

## ADDRESSES

[www.omega.com](http://www.omega.com)

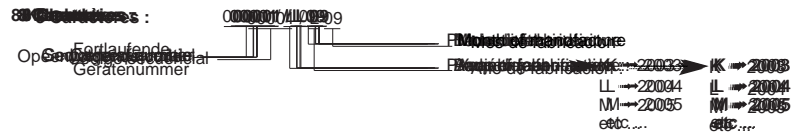
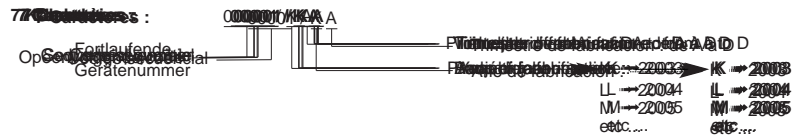


## VARIANTENBESTÄNDIGKEITSSCHENKZATE

- :: Nicht versiegelt (F) Passcode nicht / Nicht versiegelt /  
:: Passcode nicht / Passcode nicht / Passcode nicht
- :: Versiegelt (F) Passcode nicht / Passcode nicht  
:: Passcode nicht / Passcode nicht / Passcode nicht
- :: Versiegelt (F) Passcode nicht / Passcode nicht  
:: Passcode nicht / Passcode nicht / Passcode nicht
- :: Nicht versiegelt (F) Passcode nicht / Passcode nicht  
:: Passcode nicht / Passcode nicht / Passcode nicht  
:: Passcode nicht / Passcode nicht / Passcode nicht

## IDENTIFICATION DÉTAILLÉE

### SÉRIE 770



Omega Electronics S.p.A. è un'azienda leader nel mercato italiano di prodotti per la diagnostica e la manutenzione. Omega Electronics S.p.A. è un'azienda leader nel mercato italiano di prodotti per la diagnostica e la manutenzione. Omega Electronics S.p.A. è un'azienda leader nel mercato italiano di prodotti per la diagnostica e la manutenzione.