



SPARE PARTS EXPLODED VIEW DUAL-FUEL BURNERS

Model

CB-C75-100-B

R8220055-02 - 17/02/2017

CB-C75-100-B

Dual-Fuel burner

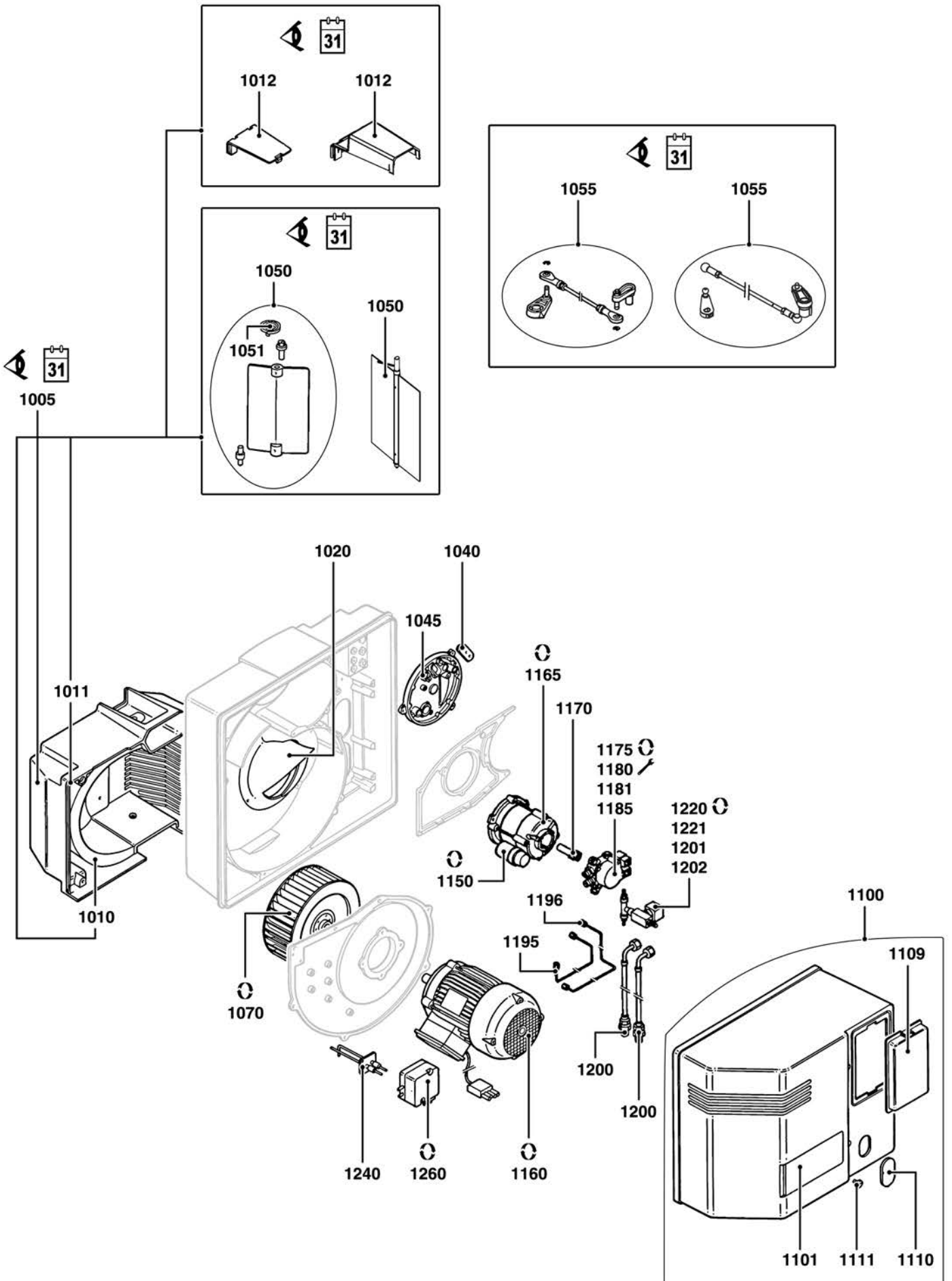
1	13000975	BB-C75 B517/8	08-1998	-
2	3832304	FS-C75 BX 517/8 T1 110 V	07-2011	-
3	13000976	BB-C100 B517/8	08-1998	-
4	0321177	C100 B517/8 T1 110V CAN	09-2010	-
5	13000979	CH-D631 - T1/KN	08-1998	-
6	13000980	CH-D631 - T2/KL	08-1998	-
7	13000981	CH-D631 - T3/KM	09-1998	-
8	13000982	CH-D632 - T1/KN	09-1998	-
9	13000983	CH-D632 - T2/KL	09-1998	-
10	13000984	CH-D632 - T3/KM	08-1998	-
11	13004912	GT -D35 - 1"1/2 - RP2"	01-2003	12-2011
12	13001762	GT -D34 - 1 1/4- RP1 1/2	01-2003	05-2016
13	13000192	GT -D33 - 3/4 - RP1	01-2003	10-2016
14	13020495	GT -S34 - 2 - RP2	09-2006	04-2016
15	13020836	GT -S35 - 65 - DN65	10-2006	12-2012
16	13020942	GT - S312 - 2" - RP2"	01-2005	12-2011
17	13020943	GT - S311 - 65 - DN65	01-2005	12-2011

Col	Reference	Model type	Begin	End
-----	-----------	------------	-------	-----

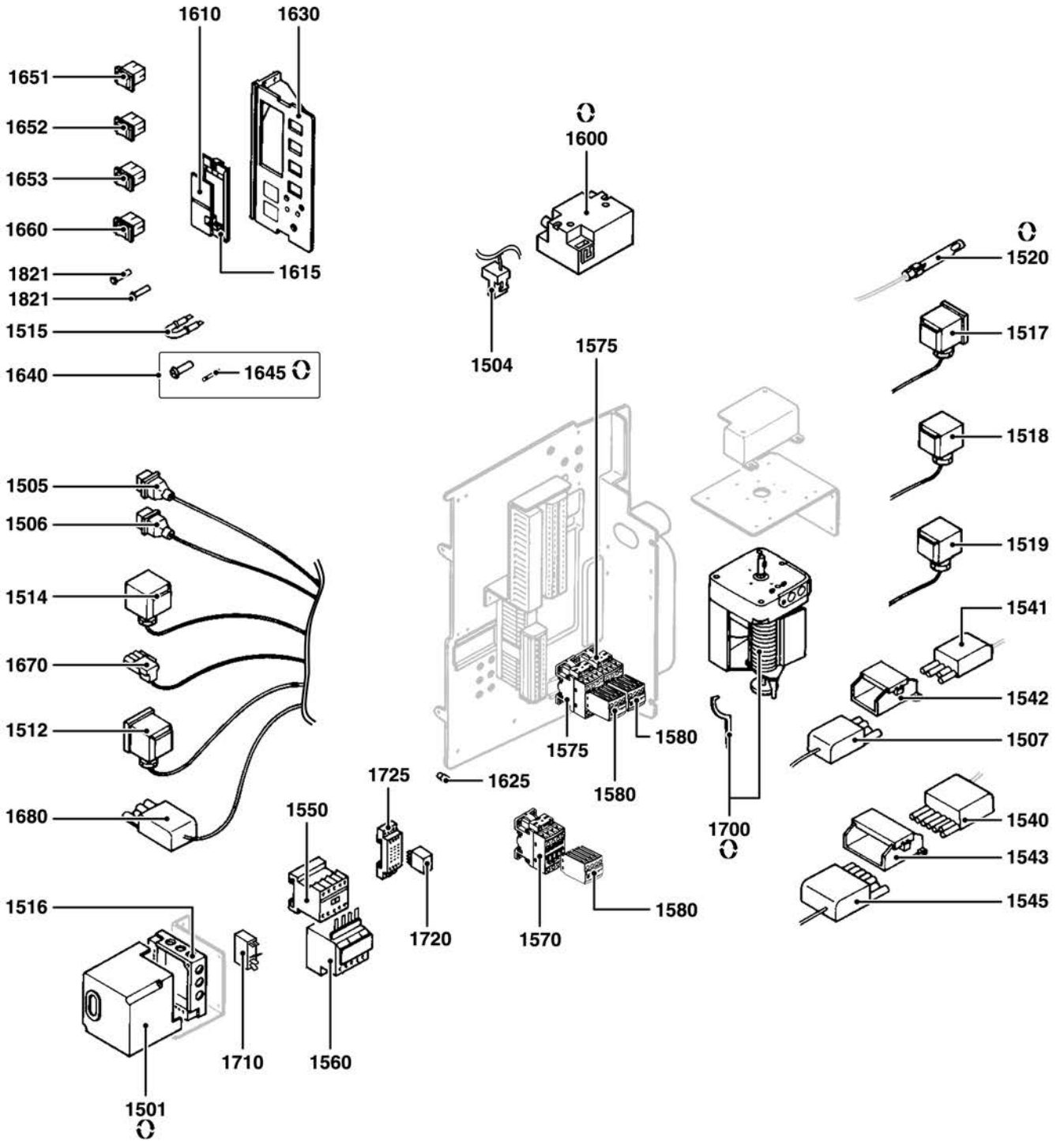
1000

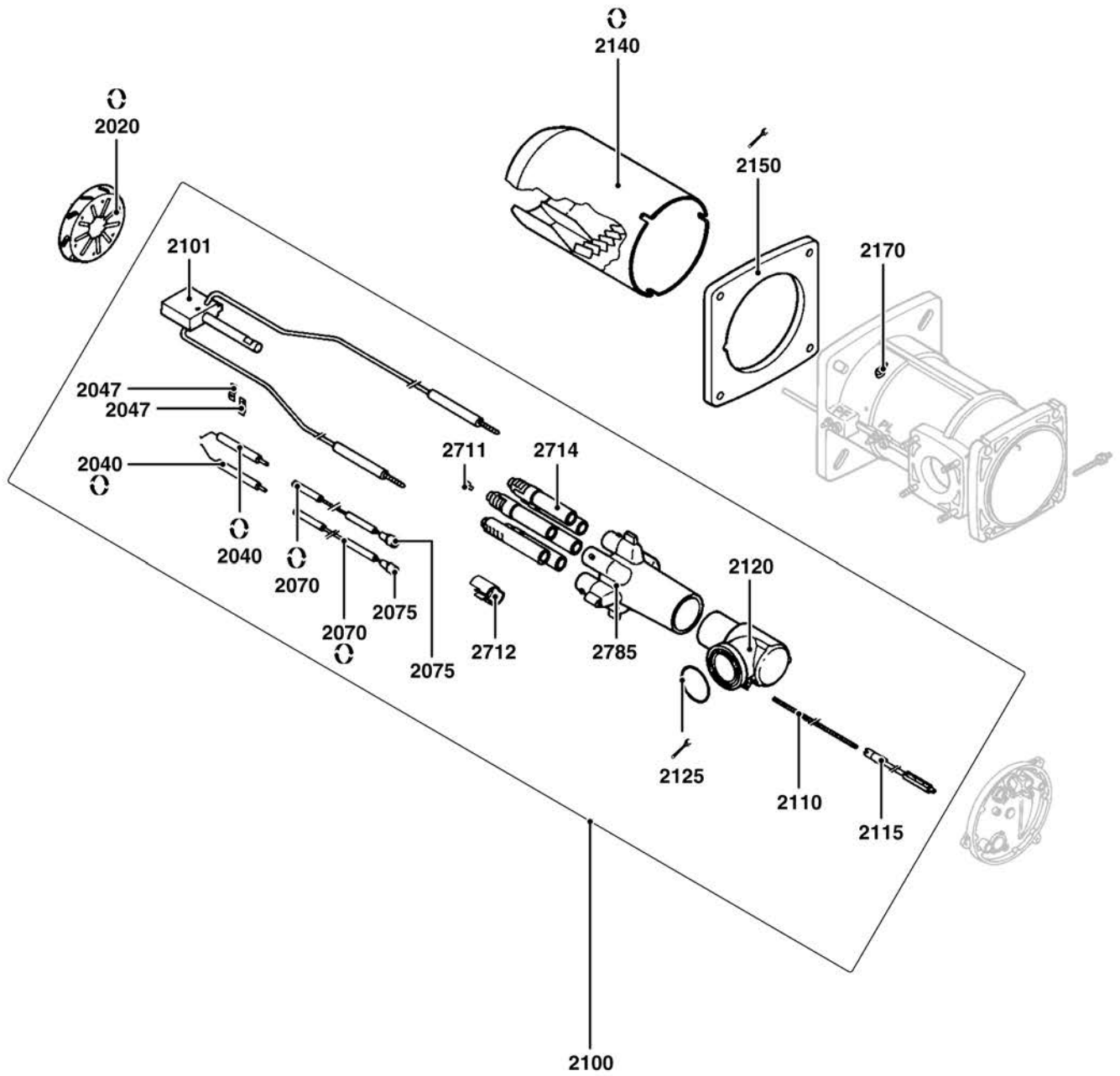
CB-C75-100-B

Dual-Fuel burner

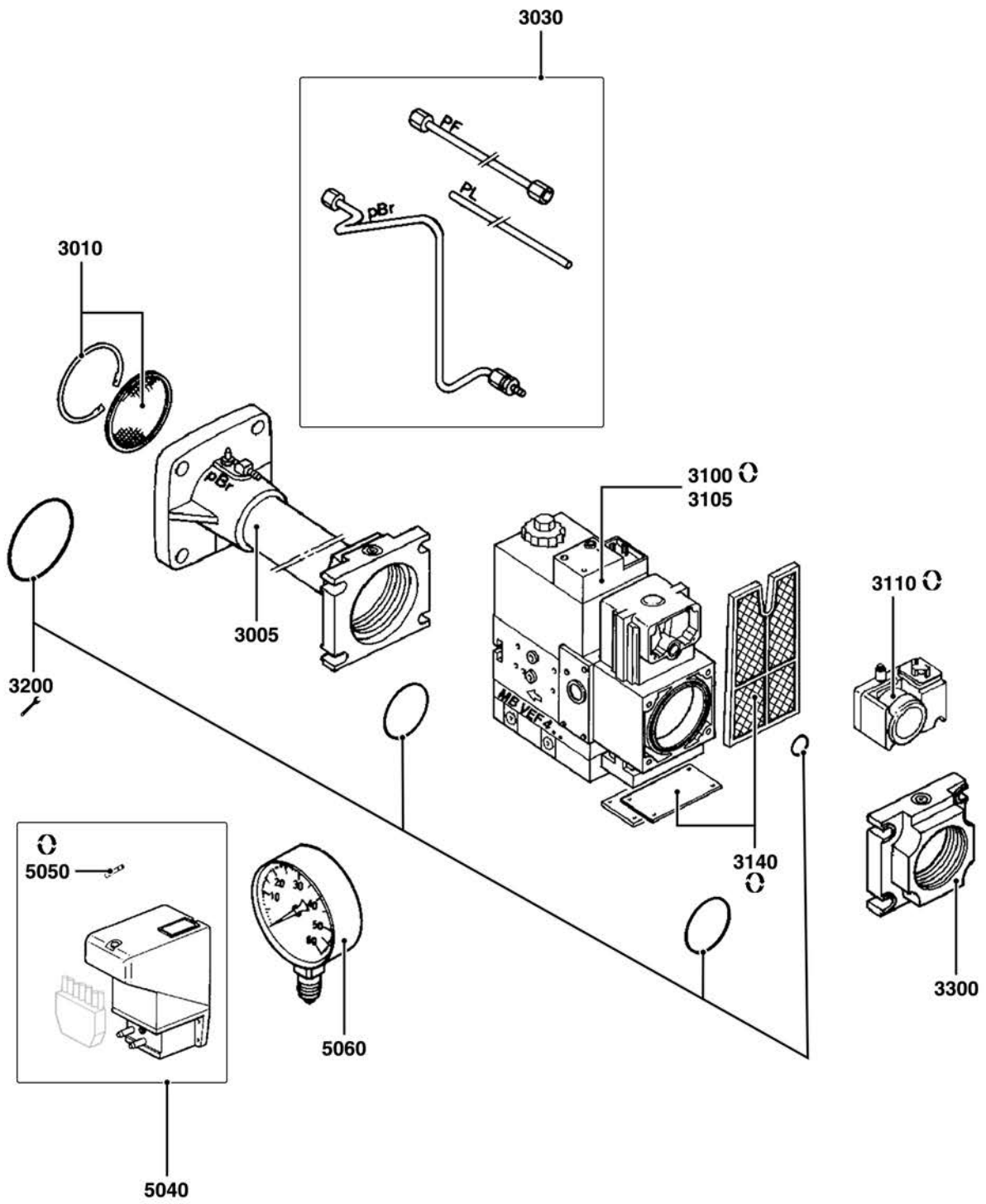


☉⇒	Description	Manf. Pt. N	Type	<div style="display: flex; justify-content: space-between; font-size: 8px;"> BB-C75 B517/8 FS-C75 Bx 517/8 T1 110V BB-C100 B517/8 C100 B517/8 T1 CH-D631 - T1/KN CH-D631 - T2/KL CH-D631 - T3/KM CH-D632 - T1/KN CH-D632 - T2/KL GT-035 - T1/2 - R92 GT-034 - 1/4" Rp1 1/2 GT-034 - 2" - Rp1" GT-035 - 65 - DN65 GT-0311 - 65 - DN65 </div>																		From	to
				1	2	3	4	5	6	7	8	9	10	11	12	13	14	15	16	17	18		
1000	BURNER BODY																						
1005	AIR BOX 318X414X167+FLAP+GREY SPRING+COV	13011565		•	•	•	•														09/16		
	AIR BOX 318X414X167+METAL FLAP+COVER	65326951		•	•	•	•													10/16			
1010	AIR BOX INSULATION	13009641		•	•	•	•																
1011	GASKET/CASING AIR109X6X7 PROFILED	13009640		•	•	•	•																
1012	AIR BOX COVER	13009642		•	•	•	•														09/16		
	AIR BOX COVER	65326223		•	•	•	•													10/16			
1020	AIR RECIRCULATION (BLACK)	13009645		•	•																		
	AIR RECIRCULATION (WHITE)	13009646				•	•																
1040	CABLE GROMMET	13009648		•	•	•	•																
1045	GAS COVER	13009647		•	•	•	•																
1050	AIR FLAP WITH FITTINGS	13014117		•	•	•	•														09/16		
	METAL AIR FLAP WITH FITTINGS	65326952		•	•	•	•													10/16			
1051	AIR SPRING (GREY)	13011751		•	•	•	•														09/16		
1055	AIR FLAP COUPLING/SQN-SQM EQ.L247	13011564		•	•	•	•														09/16		
	METAL AIR FLAP COUPLING/SQM L247	65326953		•	•	•	•													10/16			
1070	FAN WHEEL D240X82 D19	13009649		•	•	•	•																
1100	COVER C70...210	13015646		•	•	•	•																
1101	PRINTED FRONT PLATE C 100	13016419		•	•	•	•																
	PRINTED FRONT PLATE C75	13011115		•	•																		
1109	HOOD COVER	13009659		•	•	•	•																
1110	SHUTTER/HOOD (LFL.)/RESET	13009658		•	•	•	•																
1111	HOOD MOUNTING SCREW	13009657		•	•	•	•																
1150	CAPACITOR 16µF 2P 3MM	65301178	ACC		•	•	•																
	CAPACITOR 25µF 2P 3MM	65326971	SIMEL		•	•	•																
	CAPACITOR 4µF 2P 3MM	13011117	ACC	•	•																		
	CAPACITOR 6,3µF 2P 3MM	13010016	SIMEL	•	•																		
1160	MOTOR 1,5KW 400/690V D19	65300747			•	•	•																
	MOTOR 1.1KW 230/400V D19 + PLUG	13009653		•																			
	MOTOR 1.5KW 230/400V D19 + PLUG	13009654			•	•	•																
1165	MOTOR 0,14KW 120V GMP	65300444	110V		•	•	•																
	MOTOR 0.16KW 230V GMP	13011607		•	•																		
1170	COUPLING D18/14,7/11X22 PUMP/MOTOR	65074172		•	•	•	•																
1175	FUEL OIL PUMP AT2 95 C 9585 2P 0500	13019015		•	•	•	•																
1180	SUN PUMP FILTER A2L/AT2 95	13011007		•	•	•	•																
1181	GASKET/COVER-PUMP SUN A 991523 (X10)	13010002		•	•	•	•																
1185	COIL SUN PUMP AS47 110V 50/60H	65323768	110V		•	•	•																
	PUMP COIL AS47/AL35 220/240V	13010006		•	•																		
1195	PUMP TUBE/NOZZLE LINE 1ST ST. B	13014005		•	•	•	•																
1196	PUMP TUBE/NOZZLE LINE 2ND ST. B	13014006		•	•	•	•																
1200	FUEL HOSE L 1.5M	13009815		•	•	•	•																
1201	CONNECTOR/VALVE G1/8	13019016		•	•	•	•																
1202	CONNECTOR G1/8	13019017		•	•	•	•																
1220	ELECTRO VALVE PAR VE140.4 G1/8"14W	13015309		•	•																		
	SOLEN. VALVE SIR L120V02 G1/8"ZA30A	65323741	110V		•	•	•																
1221	COIL PAR VE140.4 220V 14W	13015315		•	•																		
	COIL SIR ZA30A L120V02 110V	65323743	110V		•	•	•																
1240	AIR PRES. TAP NOZZLE BLACK	13009650		•	•																		
	DIFFERENTIAL PRESS. TAP (WHITE)	13009651				•	•																
1260	AIR PRESS. SWITCH LGW 10 A2 1-10MB DIN	13009652		•	•	•	•																

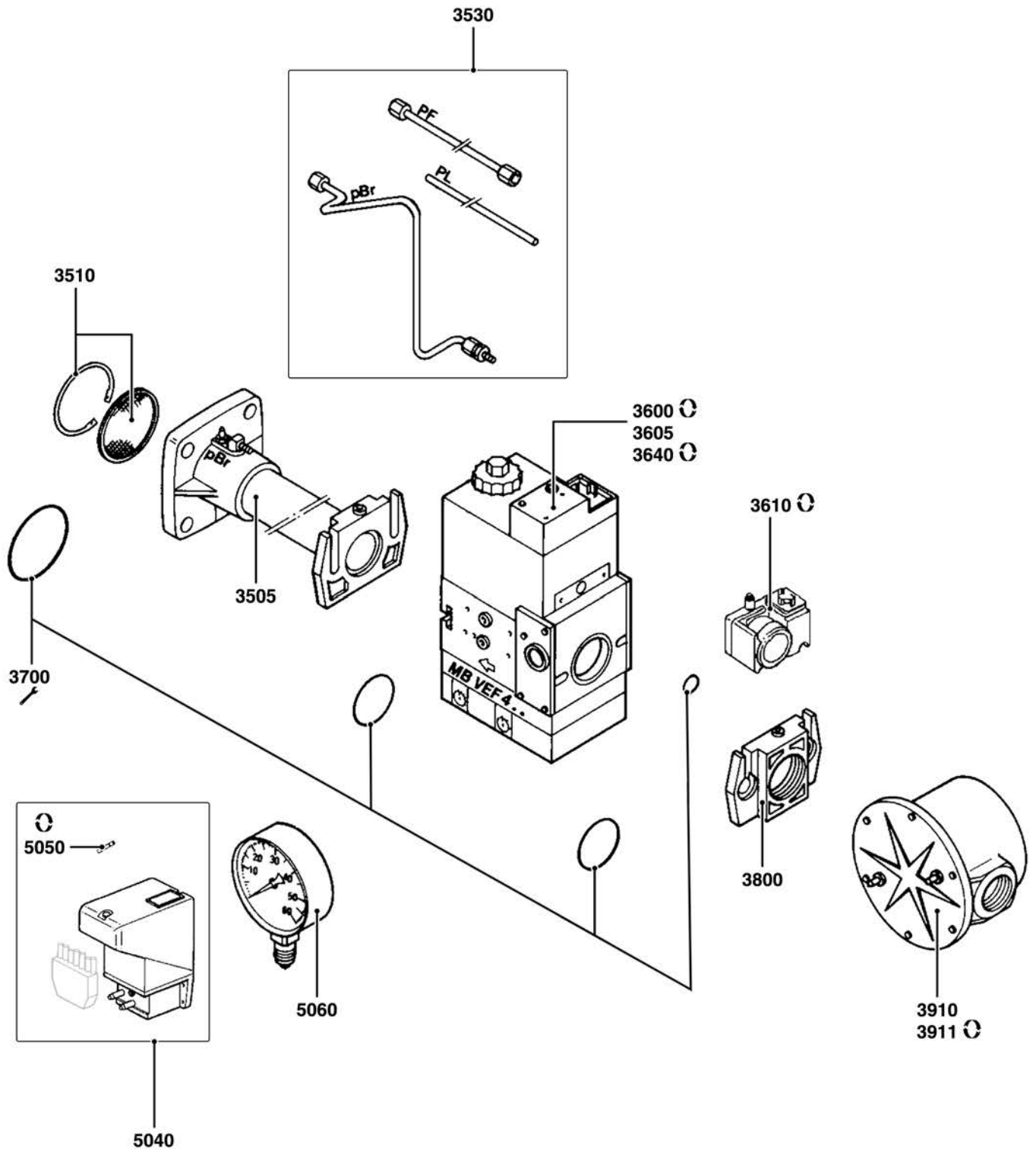




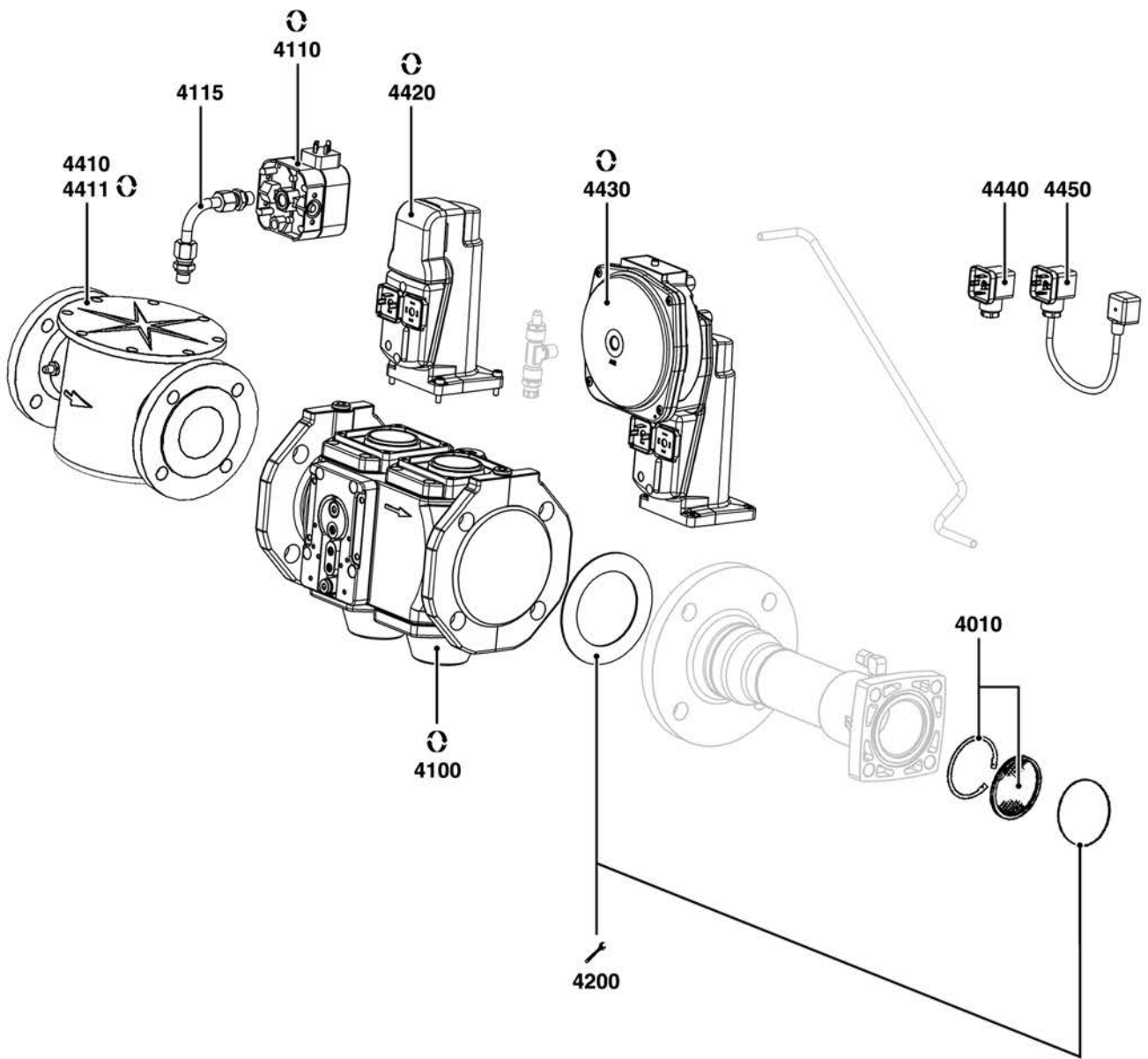
☉⇒	Description	Manf. Pt. N	Type	<div style="display: flex; justify-content: space-between; font-size: small;"> BB-C75 B517/8 TS-C75 Bx 517/8 T1 110V BB-C100 B517/8 C100 B517/8 T1 110V CAN CH-D631 - T1/KN CH-D631 - T2/KL CH-D631 - T3/KM CH-D632 - T1/KN CH-D632 - T2/KL CH-D632 - T3/KM GT-035 - 1"12 - R92" GT-034 - 1/4" Rp1 1/2 GT-034 - 3/4" - Rp1" GT-035 - 2" - Rp1" GT-035 - 65 - DN65 GT-0311 - 65 - DN65 </div>																		From	to
				1	2	3	4	5	6	7	8	9	10	11	12	13	14	15	16	17	18		
2000	COMBUSTION HEAD																						
2020	BAFFLE PLATE D125/40 9-9SL R 6DRIL.	13019009								●	●	●											
	BAFFLE PLATE D130/40 9-9SL R 6DRIL.	13019008						●	●	●													
2040	IGNIT.ELECTRODE D8X80 d6,4 D2X13 90°	13019013						●	●	●	●	●	●										
2047	IONI. SENSOR FIX. PLATE	13010054						●	●	●	●	●	●										
2070	IGNITION CABLE D4/D6,35 L1050	13009624								●	●	●	●										
	IGNITION CABLE D4/D6,35 L850	13009623						●			●												
2075	RUBBER CAP/IGNITION CABLE	13009625						●	●	●	●	●	●										
2100	NOZZLE LINE WITH FITTINGS T1/KN	13019005						●			●												
	NOZZLE LINE WITH FITTINGS T2/KL	13019006							●			●											
	NOZZLE LINE WITH FITTINGS T3/KM	13019007								●			●										
2101	FUEL OIL LINE T1/KN	13019010						●			●												
	FUEL OIL LINE T2/KL	13019011							●			●											
	FUEL OIL LINE T3/KM	13019012								●			●										
2110	ADJUSTMENT SPINDLE LG.344	13009635						●			●												
	ADJUSTMENT SPINDLE LG.454	13009637								●			●										
	ADJUSTMENT SPINDLE LG.564	13009636								●			●										
2115	ADJUSTMENT SPINDLE EXTENSION	13009638						●	●	●	●	●	●										
2120	GAS BEND LG.173	13009632						●															
	GAS BEND LG.283	13009634								●													
	GAS BEND LG.393	13009633								●			●										
2125	O-RING D55X4	13009631						●	●	●	●	●	●										
2140	FLAME TUBE D170/141/125L305TURB.D128	13009616									●												
	FLAME TUBE D170/141/125L415TURB.D128	13009618											●										
	FLAME TUBE D170/141/125L525TURB.D128	13009617												●									
	FLAME TUBE D170/141/130L305TURBU.133	13009613						●															
	FLAME TUBE D170/141/130L415TURBU.133	13009615								●													
	FLAME TUBE D170/141/130L525TURBU.133	13009614								●													
2150	GASKET/BURNER FLANGE 228X220X10 D180	13009619						●	●	●	●	●	●										
2170	M6 SCREW (LEFT HAND) BURNER TUBE FIX.	13007804						●	●	●	●	●	●										
2711	PROPANE ACCESS. KIT	13007041						●	●	●	●	●	●										
2712	SHUTTER/NOZZLE	13010061						●	●	●	●	●	●										
2714	ASSEMBLED NOZZLES	13015809						●	●	●	●	●	●										
2785	DUAL-FUEL STAR HEAD	13019014						●	●	●	●	●	●										

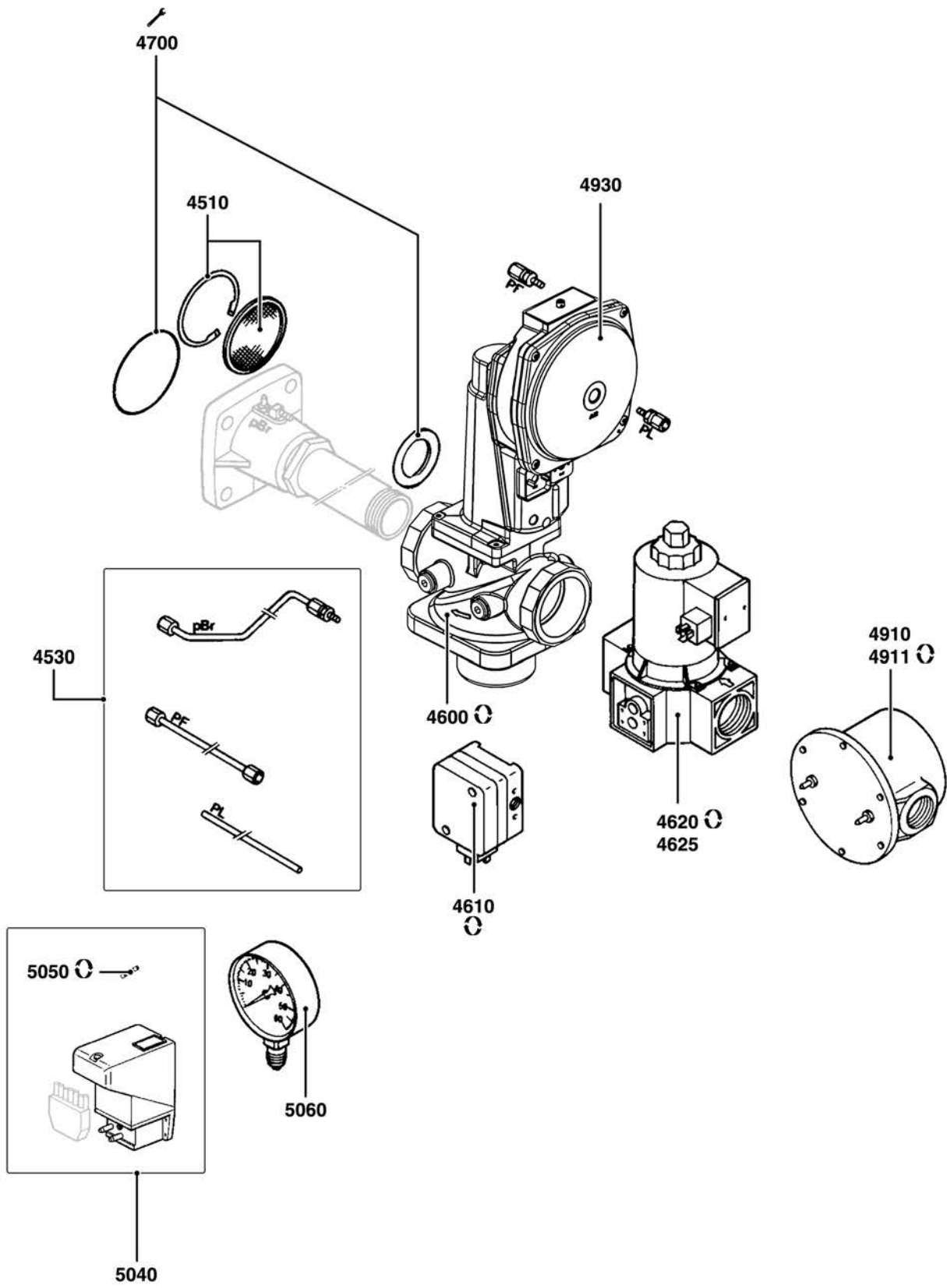


☉⇒	Description	Manf. Pt. N	Type	BB-C75 B517/8 FS-C75 Bx 617/8 T1 110V BB-C100 B517/8 C100 B517/8 T1 CH-D661 T1 110V CAN CH-D681 T1/KN CH-D631 T2/KL CH-D632 T1/KN CH-D632 T2/KL GT-035 - T3/KM GT-035 - T112 - R92 GT-034 - 1/4" Rp1 1/2 GT-034 - 3/4" - Rp1" GT-035 - 2" - Rp1" GT-035 - 65 - DN65 GT-031 - 2 - Rp2 GT-031 - 65 - DN65																	
				1	2	3	4	5	6	7	8	9	10	11	12	13	14	15	16	17	18
3000	GAS TRAIN																				
3005	COLLECTOR CPL. RP2	13011796										●									
3010	STABILISER + CIRCLIP D.60	13011367										●									
3030	PRESS. TUBES AIR+COMB./L+R DUN.420	13010457										●									
3100	GAS VALVE MBVEF420 B01 S10 RP2"+FP	13011725										●									
3105	DUN COIL No. 1215 MBVEF420	13011726										●									
3110	GAS PRESS.SWITCH GW 150 A5 30-150MB DIN	13010078										●									
3140	FILTERING ELEMENT /MB...420	13007901										●									
3200	GASKET SET MB...420	65300671										●									
3300	FLANGE MB420 RP2 + PRES.PLUG	13007859										●									
5000	ACCESSORY																				
5040	GAS TIGHTNESS CONTROLLER DUNGS VPS504	13001778										●									
5050	FUSE 5X20 T6,3A 250V	3333550051										●									
5060	PRESSURE GAUGE 0-60 MBAR D.100 G1/2	13011721										●									

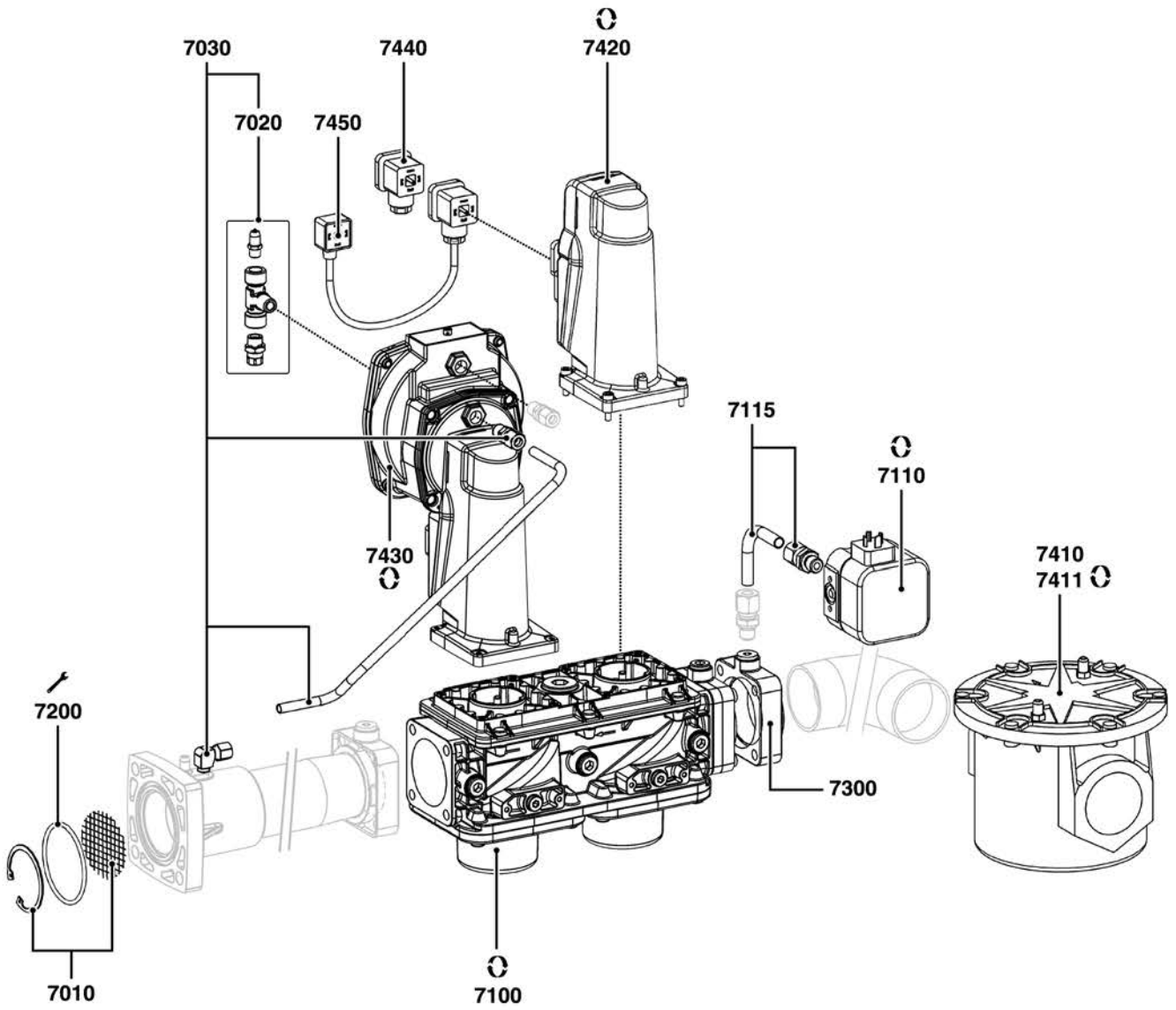


☉⇒	Description	Manf. Pt. N	Type	<div style="display: flex; justify-content: space-between; font-size: small; text-align: center;"> BB-C75 B517/8 TS-C75 Bx 517/8 T1 110V BB-C100 B517/8 C100 B517/8 T1 CH-D631 - T1/KN CH-D631 - T2/KL CH-D631 - T3/KM CH-D632 - T1/KN CH-D632 - T2/KL GT-035 - T1/12 - R92 GT-034 - 1/4 - Rp1 1/2 GT-034 - 2" - Rp1" GT-035 - 65 - DN65 GT-031 - 65 - DN65 </div>																		From	to
				1	2	3	4	5	6	7	8	9	10	11	12	13	14	15	16	17	18		
3500	GAS TRAIN																						
3505	COLLECTOR CPL. RP 1"1/4	13014012											●										
	COLLECTOR CPL. RP3/4	13014011												●									
3510	STABILISER + CIRCLIP D.60	13011367											●	●									
3530	PRESS. TUBES AIR+COMB./R DUN.407	13011779												●									
	PRESS. TUBES AIR+COMB./R DUN.412	13014013											●										
3600	GAS VALVE MBVEF407 B01 S30 RP3/4"PL=1.2	13011113												●									
	GAS VALVE MBVEF412 B01 S30 PL=0.3-PF=1.2	13011720											●										
3605	DUN COIL No. 1105 MBVEF407	13010083												●									
	DUN COIL No. 1205 MBVEF412	13010084											●	●									
3610	GAS PRESS.SWITCH GW 150 A5 30-150MB DIN	13010078											●	●									
3640	FILTERING ELEMENT /MB...405/407	13016011												●									
	FILTERING ELEMENT /MB...410/412	13016012											●										
3700	GASKET KIT MBVEF 407/412	13011366											●	●									
3800	FLANGE MB405/407 RP3/4 +O-RING	13010074												●									
	FLANGE MB410/412 RP1 1/4	13010085											●	●									
3910	GAS FILTER RP 1"1/2	13011723											●	●									
3911	FILTERING ELEMENT RP1"-1 1/2"	13010093											●	●									
5000	ACCESSORY																						
5040	GAS TIGHTNESS CONTROLLER DUNGS VPS504	13001778											●	●									
5050	FUSE 5X20 T6,3A 250V	3333550051											●	●									
5060	PRESSURE GAUGE 0-60 MBAR D.100 G1/2	13011721											●	●									





☉➔	Description	Manf. Pt. N	Type	<i>BB-C75 B517/8 FS-C75 Bx 517/8 T1 110V BB-C100 B517/8 C100 B517/8 T1 CH-D631 - T1/MN CH-D631 - T2/KL CH-D631 - T3/KM CH-D632 - T1/KN CH-D632 - T2/KL GT-635 - T3/KM GT-634 - 1"1/2 - Rp2" GT-633 - 3/4" - Rp1 1/2" GT-635 - 2" - Rp2" GT-635 - 65 - DN65 GT-6311 - 65 - DN65</i>																		From	to
				1	2	3	4	5	6	7	8	9	10	11	12	13	14	15	16	17	18		
4500 GAS TRAIN																							
4510	STABILISER + CIRCLIP D.60	13011367																		•	•		
4530	TUBES PL+PF L+R SKP75 DN65	13021385																			•		
	TUBES PL+PF L+R SKP75 RP2	13021384																		•			
4600	GAS VALVE VGF10 654P DN65	13011735																			•		
	GAS VALVE VGG10 504P RP2"	13011734																		•			
4610	GAS PRESS. SWITCH GW 50 A4 2.5-50MB DIN	13011736																		•	•		
4620	GAS VALVE MVD2065/5 DN65	13011738																		•	•		
	GAS VALVE MVD220/5 RP2"	13011737																		•			
4625	DUN COIL No. 300 MVD215-515	13011739																		•			
	DUN COIL No. 400 MVD2065	13011750																			•		
4700	GASKET KIT VGD40 DN65	13013781																			•		
	GASKET KIT VGG,VGF10/VGD20 RP2	13011733																		•			
4910	EXTERNAL GAS FILTER DN65	13009703																			•		
	EXTERNAL GAS FILTER RP2	13009700																		•			
4911	FILT. ELEMENT RP2 + GASKET	13010044																		•			
	GAS FILTERING ELEMENT DN65 WITH GASKET	13009704																		•	•		
4930	GAS SERVOM. SKP75.003E2 W/O LIMIT SW.	13020950																		•	•		
5000 ACCESSORY																							
5040	GAS TIGHTNESS CONTROLLER DUNGS VPS504	13001778																		•	•		
5050	FUSE 5X20 T6,3A 250V	3333550051																		•	•		
5060	PRESSURE GAUGE 0-60 MBAR D.100 G1/2	13011721																		•	•		



☉⇒	Description	Manf. Pt. N	Type	<div style="text-align: right; font-size: small; border: 1px solid black; padding: 2px;"> BB-C75 B517/8 FS-C75 Bx 517/8 T1 110V BB-C100 B517/8 C100 B517/8 T1 110V CAN CH-D631 - T1/KN CH-D631 - T2/KL CH-D631 - T3/KM CH-D632 - T1/KN CH-D632 - T2/KL GT-035 - T1/KN GT-035 - T3/KM GT-034 - 1"12 - Rp2" GT-034 - 3/4" - Rp1 1/2" GT-035 - 2" - Rp1" GT-035 - 65 - DN65 GT-031 - 65 - DN65 </div>																		From	to
				1	2	3	4	5	6	7	8	9	10	11	12	13	14	15	16	17	18		
7000	GAS TRAIN																						
7010	STABILISER + CIRCLIP D.60	13011367			●		●																
7020	PRESSURE TAP	13014880			●		●																
7030	GAS PR. TUBE VGD20 RP2 NC95/210-VG5/6	65301075			●		●																
7100	GAS VALVE VGD20 5011 RP2"	65311581			●		●																
7110	GAS PRESS. SWITCH GW 50 A4 2.5-50MB DIN	13011736			●		●																
7115	STEEL BEND TUBE	13014883			●		●																
7200	GASKET KIT VGG,VGF10/VGD20 RP2	13011733			●		●																
7300	FLANGE AGA51 RP2	65300871			●		●																
7410	EXTERNAL GAS FILTER RP2	13009700			●		●																
7411	FILT. ELEMENT RP2 + GASKET	13010044			●		●																
7420	GAS SERVOM. SKP15.013U1 (110V)	65114197	110V		●		●																
7430	GAS SERVOM. SKP75.013U1 (110V)	65114199	110V		●		●																
7440	BRIDGE CONNECTOR AGA68	13022511			●		●																
7450	CABLE CONNECT AGA 62 PLUG DIN L270	13020958			●		●																

