

SPARE PARTS EXPLODED VIEW GAS BURNERS

Model

C60 GX507/8

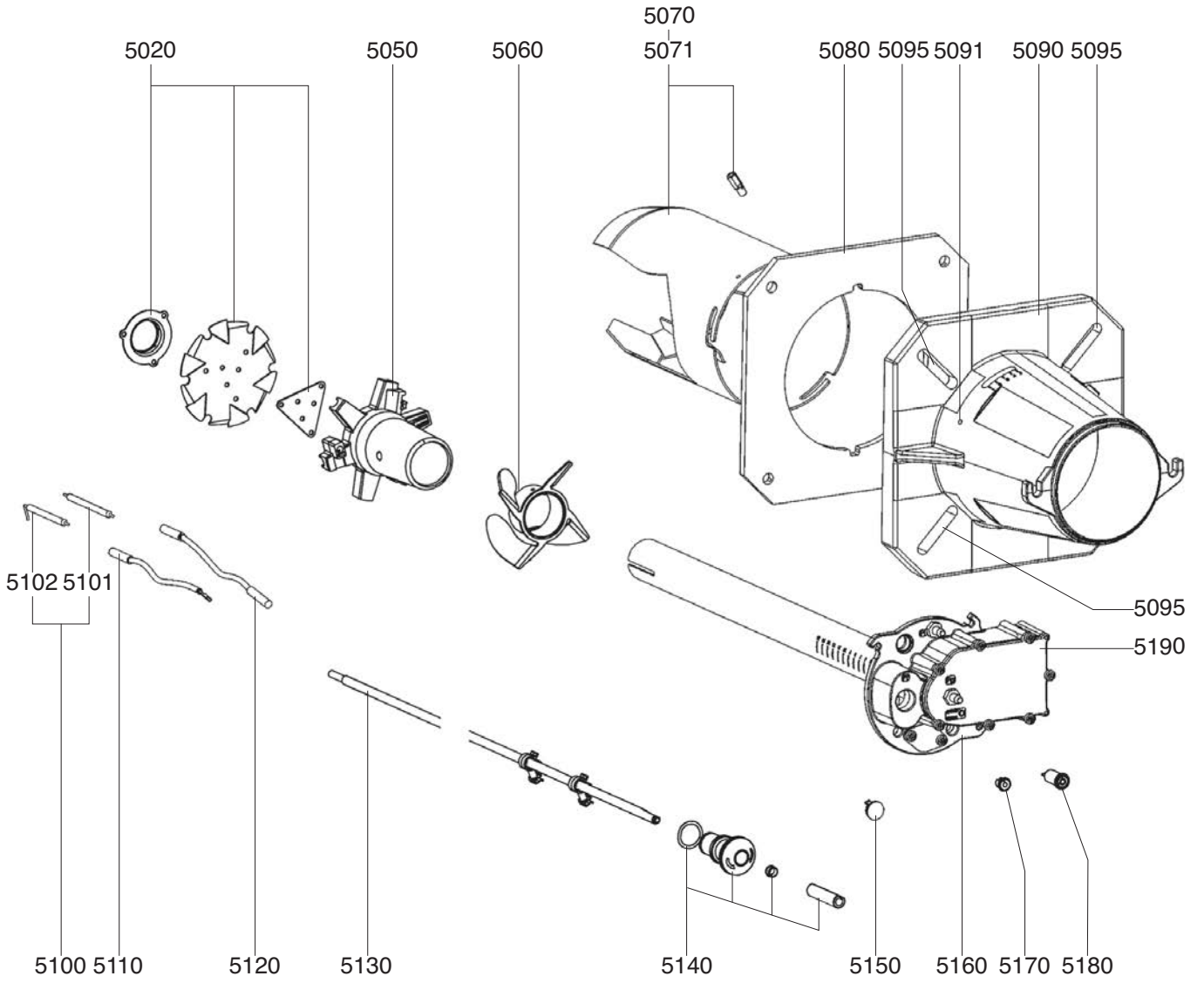
R8220229-01 - 14/02/2018

C60 GX507/8

Gas burners

1	3833218	BB-C60 GX507/8	11-2010	01-2014
2	13008854	BB-C60 GX507/8	02-2002	10-2010
3	13008857	CH-G532 - T1/KN	02-2002	01-2014
4	13008858	CH-G532 - T2/KL	02-2002	01-2014
5	13008545	GT -D319 - 3/4 -RP3/4	02-2002	01-2014
6	13010839	GT -D318 - 1 1/4-RP1 1/4	02-2002	01-2014
7	13008510	GT -D329 - 1 1/2-RP1 1/2	02-2002	01-2014

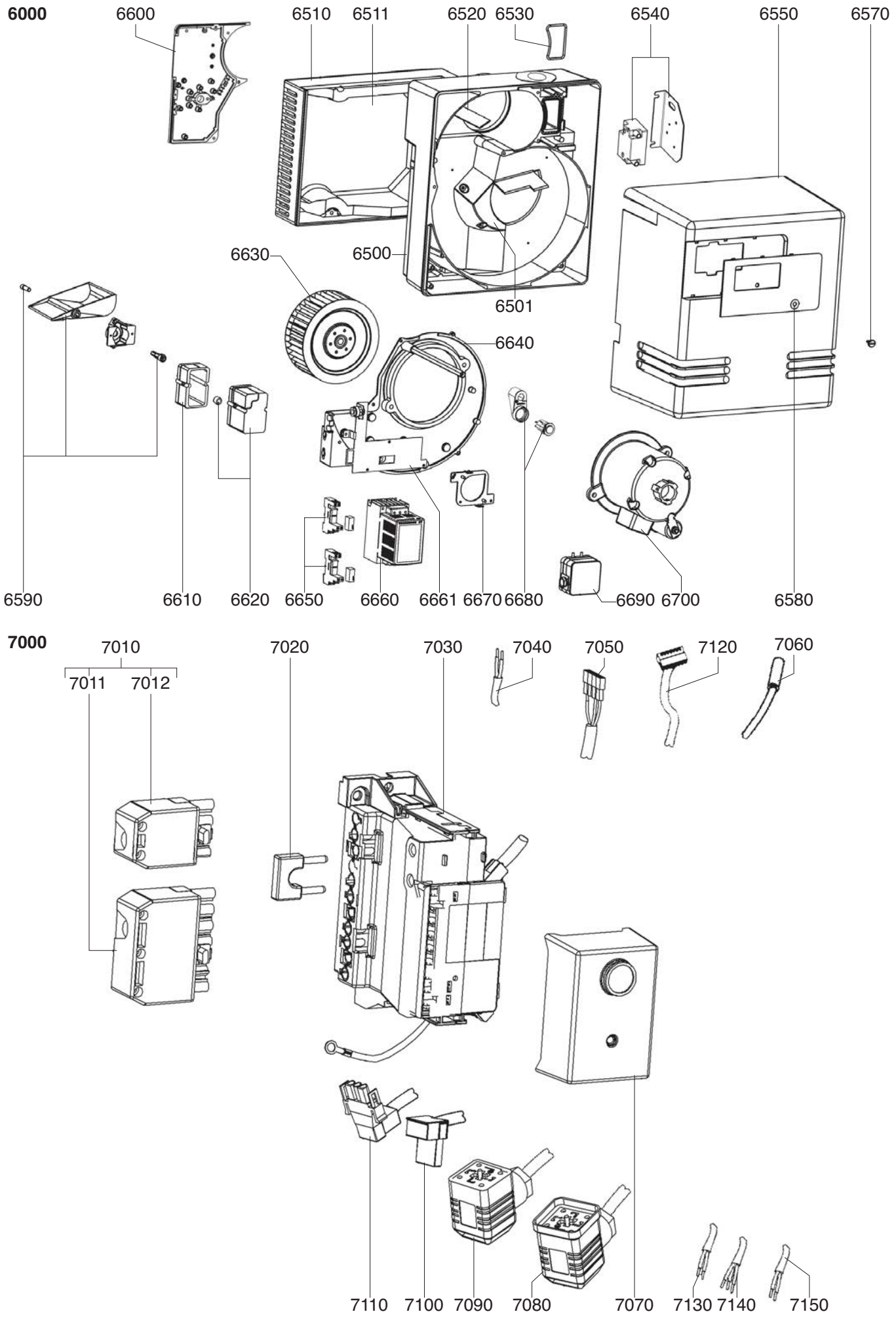
Col	Reference	Model type	Begin	End
-----	-----------	------------	-------	-----



BR-C60 GX507/8
 BR-C60 GX507/8
 CH-C532-T1/KN
 CH-C532-T2/KL
 GT-8319-3/4" -R3/4"
 GT-8318-1"1/4-R3/4"
 GT-8320-1"1/2-R3/4"

31

	Description	Manf. Pt. N	Type	1 2 3 4 5 6 7 8 9 10 11 12 13 14 15 16 17 18																		From to	
5000	BURNER HEAD																						
5020	SET BAFFLE PLATE D100 6SL H6+NOZ.D50+CAP	13006684																					
5050	GAS HEAD L107 D110/40 6 BRANCH.	13007798																					
5060	TURBULATOR	13007799																					
5070	FLAME TUBE D150/125 L268	13007800																					
	FLAME TUBE D150/125 L418	13007801																					
5071	FLAME TUBE ROTATION LEVER	13007802																					
5080	GASKET/BURNER FLANGE 244X244X8 D158	13007803																					
5090	TETE FIX 54.60 GAZ	65300595																					
5091	SCREWS M6 FIX FLAME TUBE (3 PIECES)	13007804																					
5095	KIT HEXAGONAL NUT+SCREWS M10X40	13016814																					
5100	ELECTRODE IGN.+ION. D8X80 d4 D2X27 80°	13015841																					
5101	IGNITION ELECTRODE D6X80 d4 D2X7 FLANGE	13010528																					
5102	IONISATION PROBE D8X80 D4 D2X27 80° F+S	13010529																					
5110	IONISATION CABLE CLP 6,35/D4 L550	13007805																					
	IONISATION CABLE CLP 6,35/D4 L700	13007806																					
5120	IGNITION CABLE D4/D4 L1050	13014615																					
	IGNITION CABLE D4/D4 L850	13014614																					
5130	ADJUST ROD D8/4 L646 M8	13014258																					
	ADJUST ROD D8/4 L796 M8	13014259																					
5140	BUTTON D35/20X60+VERNIER D12/8X48+CLIPS	13007852																					
5150	INSPECTION GLASS BLU D14XD18	13007807																					
5160	GAS ELBOW+ TUBE L646 T2-KL	13014257																					
	GAS ELBOW+TUBE L496 T1-KN	13014256																					
5170	CABLE GROMMET D5/9 (2 pieces)	13007808																					
5180	SOCKET BI-SLB4-F 6,3	13007849																					
5190	O-RING D111X2 GAS COVER NBR	13021248																					



BR-C60 GX507/8
 BR-C60 GX507/8
 CH-C532- T1/KN
 CH-C532- T2/KN
 GT-8319-3/4" -R3/4"
 GT-8318-1"1/4-R31"1/4"
 GT-8320-1"1/2-R31"1/2"

Description	Manf. Pt. N	Type																			31	
			1	2	3	4	5	6	7	8	9	10	11	12	13	14	15	16	17	18	From	to

6000 BURNER BODY			1	2	3	4	5	6	7	8	9	10	11	12	13	14	15	16	17	18	From	to
6500 HOUSING C28...60/VECTRON 04 G/H	65300258		●	●																		
6501 AIR RECYCLING BEAK EK04B-VL-VG04/C43-60	13015549		●	●																		
6510 AIR BOX 376X290X128	13015578		●	●																		
6511 SOUND INSULATION / AIR BOX	13007813		●	●																		
6520 AIR GUIDE 125X28X29 90°	13007850		●	●																		
6530 O-RING 75X38,5X3,5 GAS COVER	13007815		●	●																		
6540 IGNITION TRANSFORMER EBI 1X11 230V+PLATE	65300696		●	●																		
6550 BURNER COVER CPL.	13011098		●	●																		
6570 OVAL HEAD SCREW/FIX COVER	13007853		●	●																		
6580 FRONT COVER C43/54/60	13016399		●	●																		
6590 AIR FLAP CPL.	13016780		●	●																		
6600 AIR FLAP HOLDER PLATE 192X280X15 R68	13010103		●	●																		
6610 POTENTIOMETER STA ACTUATOR	13011107		●	●																		
6620 ACTUATOR STA 19 BO36/12 3N31R	13010011		●	●																		
6630 FAN WHEEL D180X75 D12,7	13011096		●	●																		
6640 MOTOR PLATE 290X375X20 D162 C28-60/V04	13010102		●	●																		
6650 AUXIL. PRINTED CARD 2RT 8A AGNI 230V	13016521		●	●																		
6660 SPEED DRIVES ATV12 H075 M2 0,75KW	65300697		●	●																		
6661 SUPPORT / FREQUENCY VARIATOR	13012468		●	●																		
6670 HOLDER AIR PRESSURE SWITCH LGW	13007822		●	●																		
6680 RESET BUTTON D16/19X33+HOLDER+CABLE	13011087		●	●																		
6690 AIR PRESS.SWITCH LGW 10 A2 1-10MB	13007823		●	●																		
6700 MOTOR 0,75KW230/400V D12,7	13013889		●	●																		
7000 ELECTRIC PART																						
7010 WIELAND PLUG 4P+7P SILK-SCREEN PRINTED	13010018		●	●																		
7011 WIELAND PLUG 7P SILK-SCREEN PRINTED	13010523		●	●																		
7012 WIELAND PLUG 4P SILK-SCREEN PRINTED	13011095		●	●																		
7020 IONISATION BRIDGE	13010524		●	●																		
7030 ELECTRIC CONNECTION BOX GAS	13010521		●	●																		
7040 CABLE AIR PRES.SWITCH+RAST2P/2X0,75 L450	13011100		●	●																		
7050 CABLE RESET+PLUG FASTON/RAST4P L350	13011088		●	●																		
7060 IONISATION CABLE MC4/MC4 L430	13007825		●	●																		
7070 CONTROL UNIT SG 513 C2	13011099		●	●																		
7080 CABLE GAS VALVE+PLUG DIN/RAST 4P L1500	13011101		●	●																		
7090 CABLE GAS P.SWITCH+PLUG DIN/RAST3P L1500	13010080		●	●																		
7100 CABLE IGNIT.TRANSFO+PLUG 3P/RAST 2P L420	13011094		●	●																		
7110 CABLE MOTOR+PLUG 3P/RAST3P L388	13011089		●	●																		
7120 CABLE ACTUATOR+PLUG9P/RAST5P+RAST4P L225	13011092		●	●																		
7130 CABLE RELAY/SPEED DRIVES+2X0,75 L400	13011103		●	●																		
7140 CABLE RELAY/K7+RAST3P 2X0,75 L400	13011105		●	●																		
7150 CABLE SPEED DRIVES+RAST3P 3X0,75 L500	13011106		●	●																		

