

## SPARE PARTS EXPLODED VIEW GAS BURNERS

Model

**C75, C100 GX507/8**

R8220053-02 - 23/02/2017

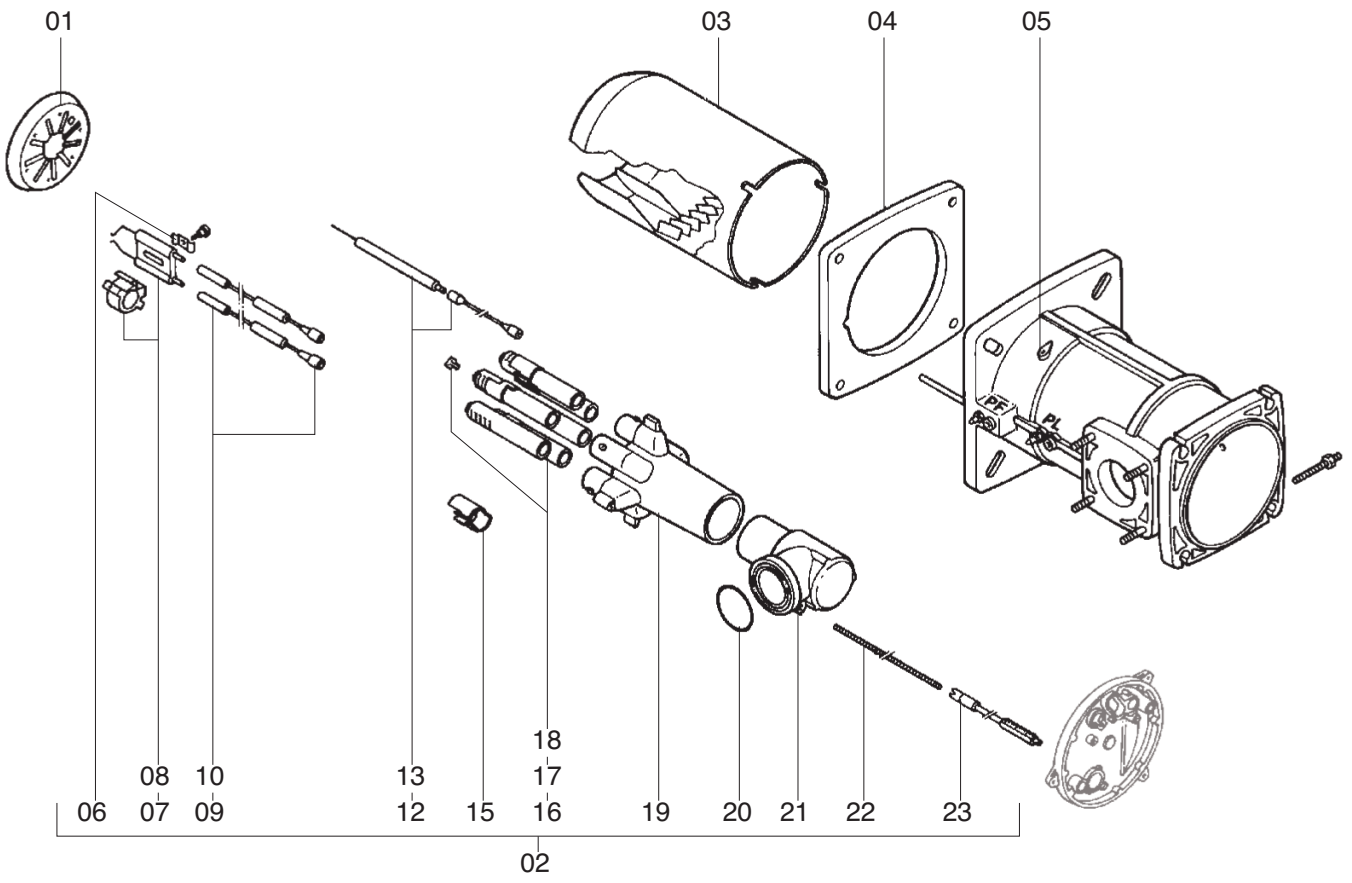
C75, C100 GX507/8

Gas burners

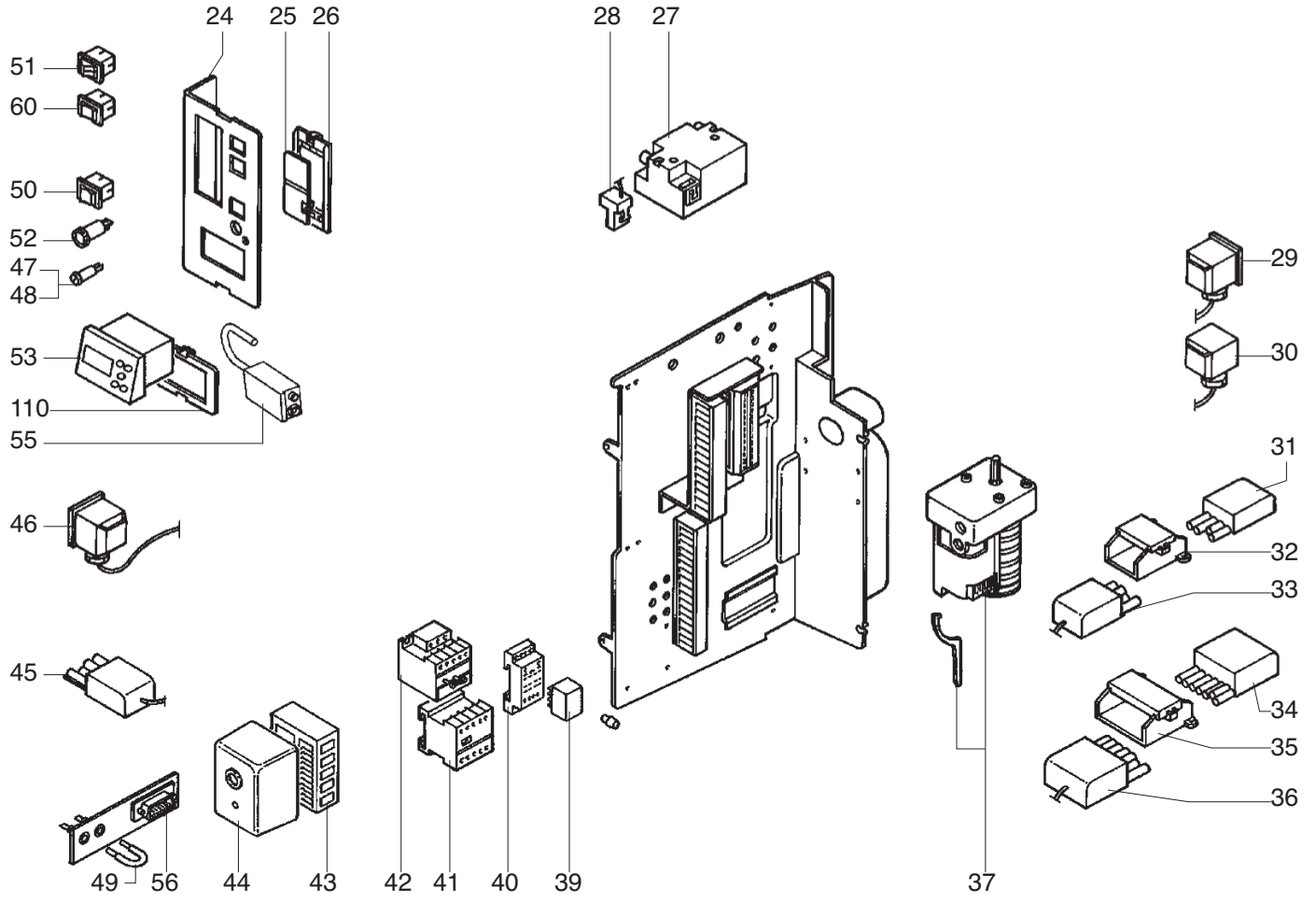
1	13008403	BB-C75 GX507/8	06-2002	09-2012
2	13008404	BB-C100 GX507/8	06-2002	09-2012
3	13000436	CH - G631 - T1/KN	01-2005	12-2011
4	13000437	CH - G631 - T2/KL	01-2005	12-2011
5	13000438	CH - G631 - T3/KM	01-2005	12-2011
6	13000445	CH - G632 - T1/KN	01-2005	12-2011
7	13000446	CH - G632 - T2/KL	01-2005	12-2011
8	13000447	CH - G632 - T3/KM	01-2005	12-2011
9	13004912	GT -D35 - 1"1/2 - RP2"	01-2003	12-2011
10	13001762	GT -D34 - 1 1/4- RP1 1/2	01-2003	05-2016
11	13000192	GT -D33 - 3/4 - RP1	01-2003	10-2016
12	13020495	GT -S34 - 2 - RP2	09-2006	04-2016
13	13020836	GT -S35 - 65 - DN65	10-2006	12-2012
14	13020942	GT - S312 - 2" - RP2"	01-2005	12-2011
15	13020943	GT - S311 - 65 - DN65	01-2005	12-2011

Col	Reference	Model type	Begin	End
-----	-----------	------------	-------	-----



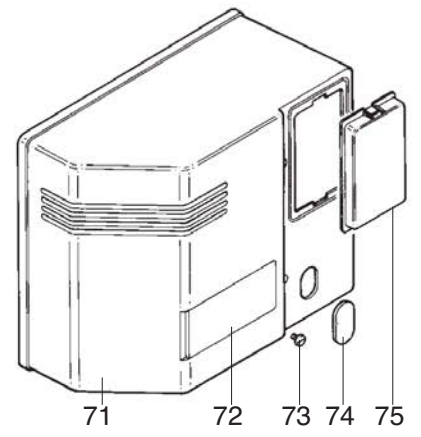
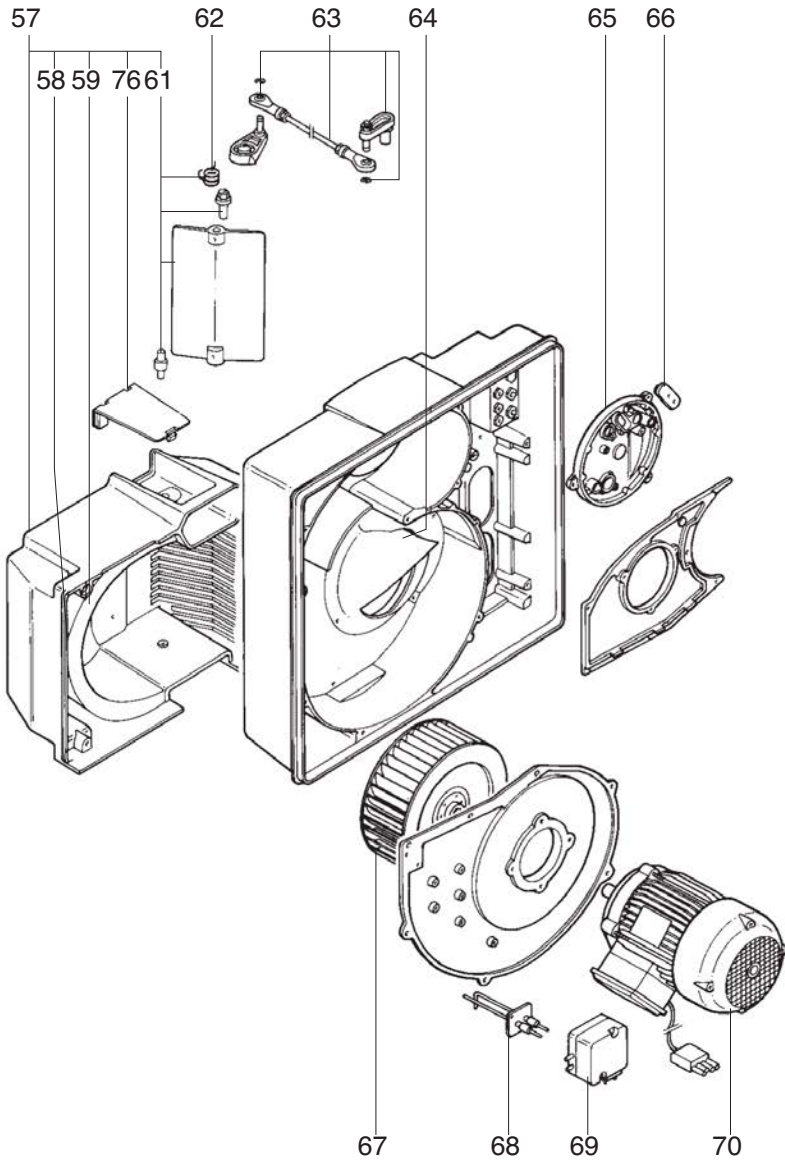




☉⇒	Description	Manf. Pt. N	Type	BB-C75 GX507/8 BR-C100 GX507/8 CH - G831 - T1/MN CH - G831 - T2/KL CH - G831 - T3/KM CH - G832 - T1/MN CH - G832 - T2/KL CH - G832 - T3/KM GT -835- 1"1/2-Rp2" GT -834- 1 1/4-Rp1 1/2 GT -833- 3/4- Rp1" GT -832- 2-Rp2" GT -831/2- 65-DN65 GT -831/1- 65-DN65																		From	to
				1	2	3	4	5	6	7	8	9	10	11	12	13	14	15	16	17	18		
0024	CONTROL BOARD SILK-SCREEN PRINTED	13014002		●	●																		
0025	SHUTTER/CONSOLE	13009661		●	●																		
0026	LOAD CONTR. SUPPORT	13009662		●	●																		
0027	IGNITION TRANSFORMER EBI 2X7.5 230V	13009663		●	●																		
0028	CABLE IGNIT.TRANSFO+PLUG 2P 2X0,75 L420	13009773		●	●																		
0029	CABLE GAS P.SWITCH+P.DIN/3X0,75L2000(X3)	13009665		●	●																		
0030	CABLE GAS VALVE+P.DIN/3X0,75L2000(X4)	13009666		●	●																		
0031	WIELAND PLUG 4P.MALE GREEN	13009667		●	●																		
0032	HOOD/WIELAND PLUG 4P.ST18/4	13009668		●	●																		
0033	CABLE REGUL.+PLUGWIE. 4P 4X0,75 L620	13011515		●	●																		
0034	WIELAND PLUG 7P.	13009670		●	●																		
0035	HOOD/WIELAND PLUG 7P	13009671		●	●																		
0036	CABLE+PLUG 7P/7X0,75 L620	13009672		●	●																		
0037	ACTUATOR SQN 31.481 A2766	13011620		●	●																		
0039	RELAY + CLIP	13017721		●	●																		
0040	FINDER RELAY SUPPORT 95.05	13017720		●	●																		
0041	CONTACTOR	13009778		●	●																		
0042	THERM. RELAY T.LR2K 2.6-3.7	13009674		●	●																		
0043	CONTROL BOX BASE SH&SG...	13009780		●	●																		
0044	CONTROL UNIT SG 513 C2	13011099		●	●																		
0045	CABLE MOTOR+PLUG WIE. 4P 4X1,5 L600	13009782		●	●																		
0046	CABLE AIR P.SWITCH+PLUGDIN/2X0,75 L1200	13011623		●	●																		
0047	FUSE HOLDER + FUSE 6.3A	13016457		●	●																		
0048	FUSE 5X20 6.3A	13016028		●	●																		
0049	MEASURING BRIDGE [µA DC]	13010019		●	●																		
0050	3 POS SWITCH	13009683		●	●																		
0051	SWITCH LIGHT 2 POSITION	13009787		●	●																		
0052	RESTART PUSH BUTTON	13009788		●	●																		
0053	DISPLAY FOR CONTROL UNIT SG-SH IR	13011617		●	●																		
0055	DISPLAY POWER SUPPLY UNIT 230VAC/9VDC	13011618		●	●																		
0056	CABLE DISPLAY+PLUG 9P/CONNECT.SUB9P L395	13011619		●	●																		
0060	OPERATING SWITCH - OPERATION	13014009		●	●																		
0110	DISPLAY HOLDER	13009684		●	●																		

C75, C100 GX507/8

Gas burners



☺⇒	Description	Manf. Pt. N	Type	BB-C75 GX507/8 BR-C100 GX507/8 CH - G831 - T1/MN CH - G831 - T2/KL CH - G831 - T3/MM CH - G832 - T1/MN CH - G832 - T2/KL CH - G832 - T3/MM GT -835- 1"1/2-Rp2" GT -834- 1 1/4-Rp1 1/2 GT -834- 2-Rp2" GT -835- 65-DN65 GT -831/2- 2-Rp2 GT -831/1- 65-DN65																		From	to
				1	2	3	4	5	6	7	8	9	10	11	12	13	14	15	16	17	18		
0057	AIR BOX 318X414X167+FLAP+GREY SPRING+COV	13011565		•	•																		
0058	GASKET/CASING AIR109X6X7 PROFILED	13009640		•	•																		
0059	AIR BOX INSULATION	13009641		•	•																		
0061	AIR FLAP WITH FITTINGS	13014117		•	•																		
0062	AIR SPRING (GREY)	13011751		•	•																		
0063	AIR FLAP COUPLING/SQN-SQM EQ.L247	13011564		•	•																		
0064	AIR RECIRCULATION (BLACK)	13009645		•																			
	AIR RECIRCULATION (WHITE)	13009646			•																		
0065	GAS COVER	13009647		•	•																		
0066	CABLE GROMMET	13009648		•	•																		
0067	FAN WHEEL D240X82 D19	13009649		•	•																		
0068	AIR PRES. TAP NOZZLE BLACK	13009650		•																			
	DIFFERENTIAL PRESS. TAP (WHITE)	13009651			•																		
0069	AIR PRESS. SWITCH LGW 10 A2 1-10MB DIN	13009652		•	•																		
0070	MOTOR 1.1KW 230/400V D19 + PLUG	13009653		•																			
	MOTOR 1.5KW 230/400V D19 + PLUG	13009654			•																		
0071	COVER C70...210	13015646		•	•																		
0072	FRONT COVER C75	13016400		•																			
	PRINTED FRONT PLATE C 100	13016419			•																		
0073	HOOD MOUNTING SCREW	13009657		•	•																		
0074	SHUTTER/HOOD (LFL.)/RESET	13009658		•	•																		
0075	HOOD COVER	13009659		•	•																		
0076	AIR BOX COVER	13009642		•	•																		

C75, C100 GX507/8

Gas burners

