



SPARE PARTS EXPLODED VIEW GAS BURNERS

Model

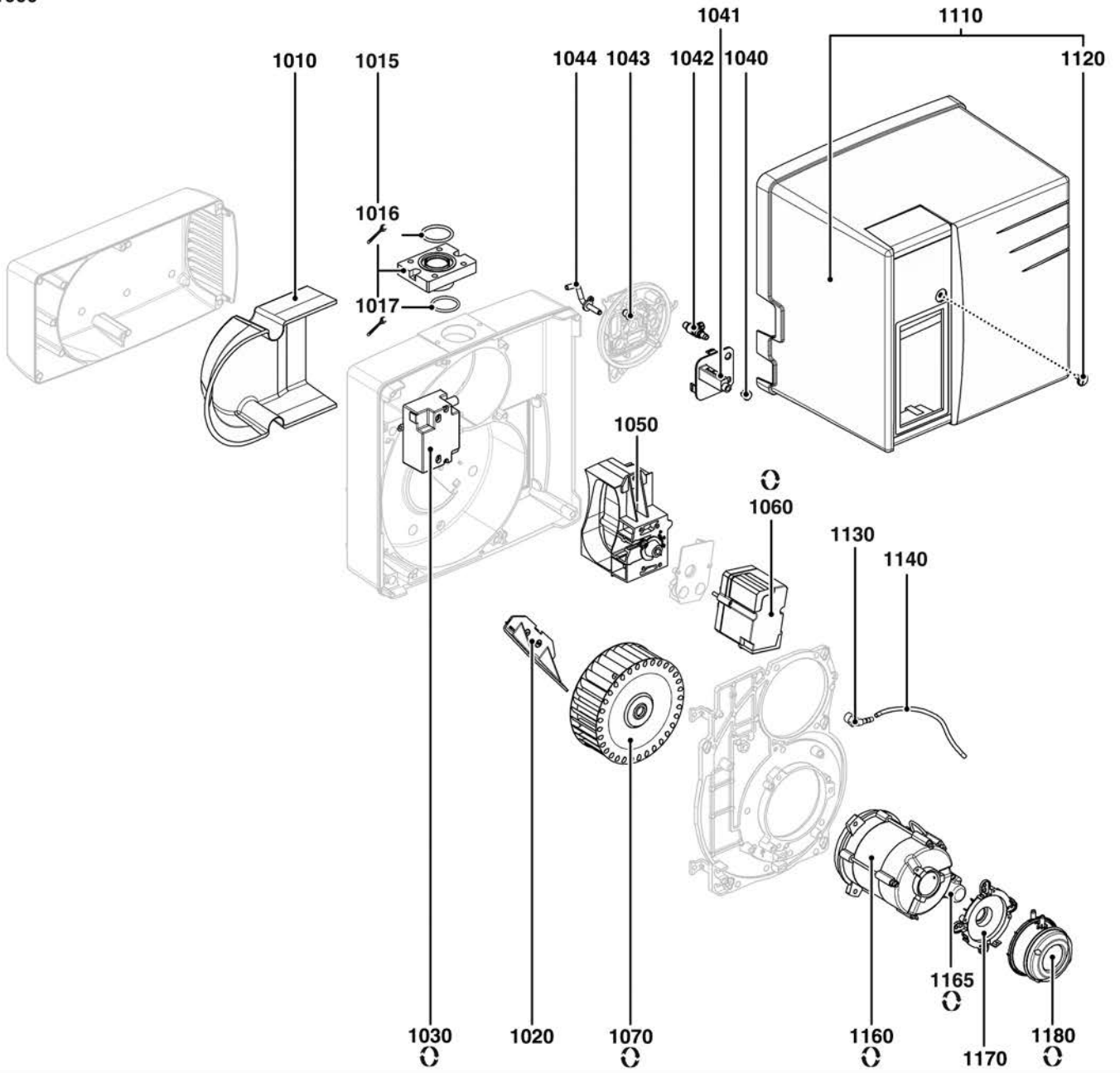
CB-NC12-16-21-GX5A (50/60HZ)

R8220025-02 - 30/04/2018

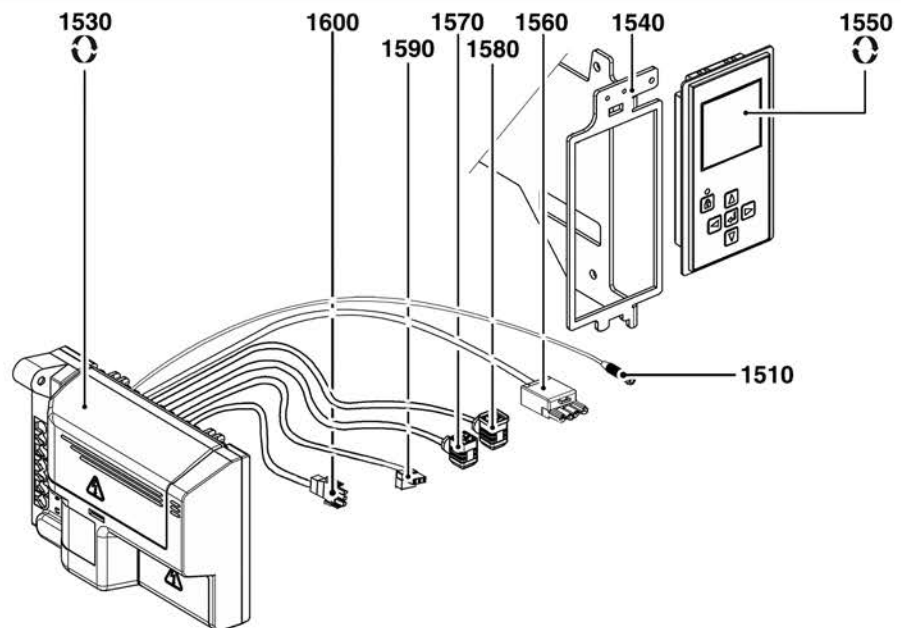
| | | | | |
|----|---------|--|---------|---|
| 1 | 3833231 | CB-NC12 GX507/8A P20 D3/4 -RP3/4 T1 | 02-2011 | - |
| 2 | 3833232 | CB-NC12 GX507/8A P20 D3/4 -RP3/4 T2 | 02-2011 | - |
| 3 | 3833235 | CB-NC12 GX507/8A P300 D3/4 -RP3/4 T1 | 09-2010 | - |
| 4 | 3833236 | CB-NC12 GX507/8A P300 D3/4 -RP3/4 T2 | 09-2010 | - |
| 5 | 3833233 | CB-NC16 GX507/8A P20 D3/4 -RP3/4 T1 | 06-2010 | - |
| 6 | 3833902 | CB-NC16 GX507/8A P20D3/4 RP3/4 T1 220-60 | 01-2012 | - |
| 7 | 3833234 | CB-NC16 GX507/8A P20 D3/4 -RP3/4 T2 | 05-2011 | - |
| 8 | 3833237 | CB-NC16 GX507/8A P300 D3/4 -RP3/4 T1 | 03-2011 | - |
| 9 | 3833238 | CB-NC16 GX507/8A P300 D3/4 -RP3/4 T2 | 06-2011 | - |
| 10 | 3833241 | CB-NC21 GX507/8A P20 D3/4 -RP3/4 T1 | 02-2011 | - |
| 11 | 3835891 | CB-NC21 GX507/8A D345-3/4-RP3/4 T1 60HZ | 08-2016 | - |
| 12 | 3833242 | CB-NC21 GX507/8A P20 D3/4 -RP3/4 T2 | 05-2011 | - |
| 13 | 3833024 | CB-NC21 GX507/8A P20-300 D3/4 -RP3/4 T1 | 02-2011 | - |
| 14 | 3833197 | CB-NC21 GX507/8A P20-300 D3/4 -RP3/4 T2 | 05-2011 | - |
| 15 | 3833239 | CB-NC21 GX507A P20 D1 1/4-RP1 1/4 T1 | 07-2010 | - |
| 16 | 3833240 | CB-NC21 GX507A P20 D1 1/4-RP1 1/4 T2 | 05-2011 | - |

| Col | Reference | Model type | Begin | End |
|-----|-----------|------------|-------|-----|
|-----|-----------|------------|-------|-----|

1000



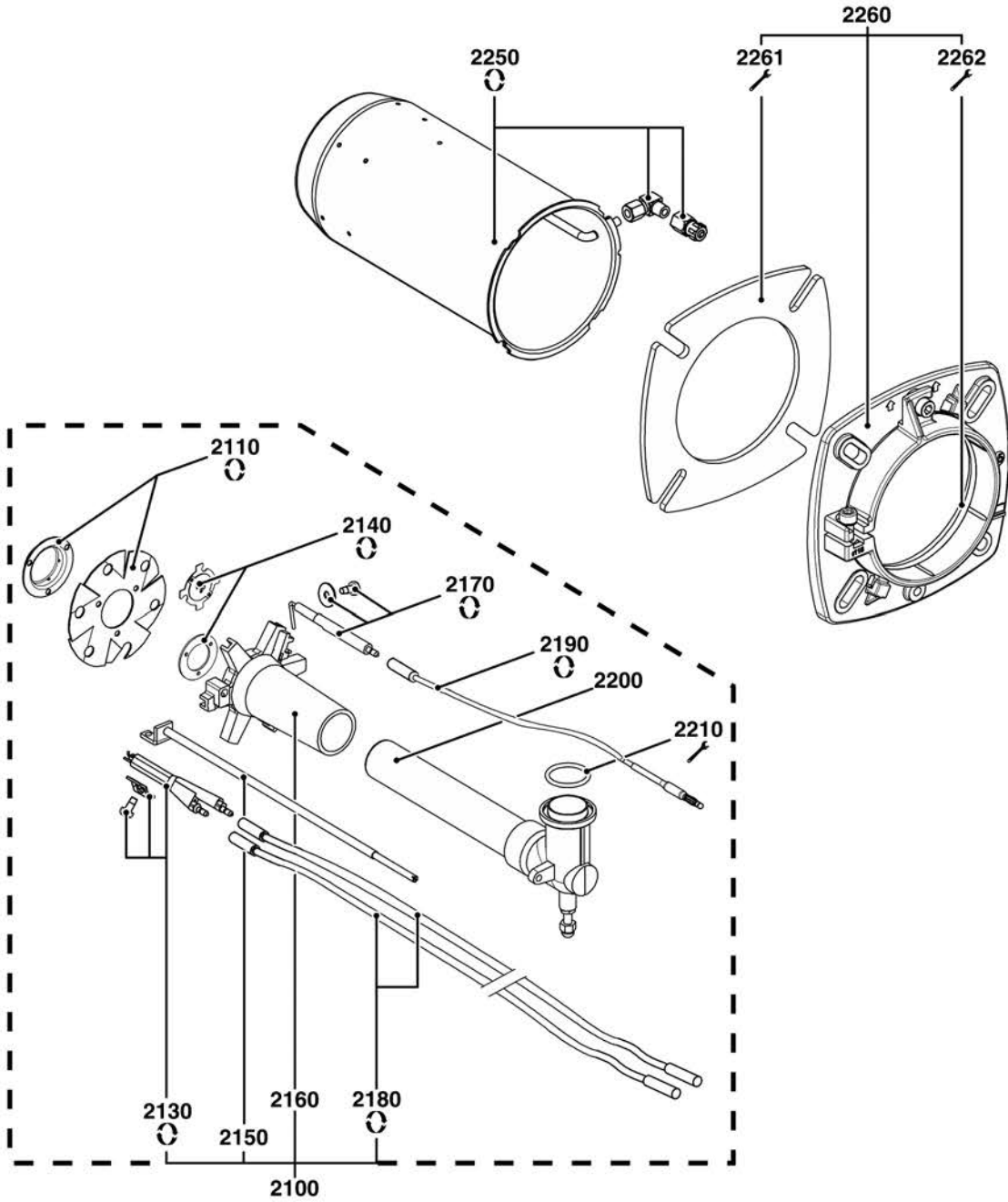
1500



| Description | Manf. Pt. N | Type | <div style="display: flex; justify-content: space-between; font-size: 8px; font-weight: bold;"> CB-NC12-GX50/RA-CR32-214-R03M/T1 CB-NC12-GX50/RA-CR32-214-R03M/T2 CB-NC12-GX50/RA-CR32-214-R03M/T1 CB-NC12-GX50/RA-CR32-214-R03M/T2 CB-NC12-GX50/RA-CR32-214-R03M/T1 CB-NC12-GX50/RA-CR32-214-R03M/T2 CB-NC12-GX50/RA-CR32-214-R03M/T1 CB-NC12-GX50/RA-CR32-214-R03M/T2 CB-NC12-GX50/RA-CR32-214-R03M/T1 CB-NC12-GX50/RA-CR32-214-R03M/T2 CB-NC12-GX50/RA-CR32-214-R03M/T1 CB-NC12-GX50/RA-CR32-214-R03M/T2 CB-NC12-GX50/RA-CR32-214-R03M/T1 CB-NC12-GX50/RA-CR32-214-R03M/T2 CB-NC12-GX50/RA-CR32-214-R03M/T1 CB-NC12-GX50/RA-CR32-214-R03M/T2 CB-NC12-GX50/RA-CR32-214-R03M/T1 CB-NC12-GX50/RA-CR32-214-R03M/T2 </div> | | | | | | | | | | | | | | | | | | From | to |
|---|-------------|------------|--|---|---|---|---|---|---|---|---|----|----|----|----|----|----|----|----|----|------|----|
| | | | 1 | 2 | 3 | 4 | 5 | 6 | 7 | 8 | 9 | 10 | 11 | 12 | 13 | 14 | 15 | 16 | 17 | 18 | | |
| 1000 BURNER BODY | | | | | | | | | | | | | | | | | | | | | | |
| 1010 INSULATION AIR INTAKE BOX | 13017369 | | • | • | • | • | • | • | • | • | • | • | • | • | • | • | • | • | • | | | |
| 1015 FLANGE 82X62X30 D27 GAS TUBE + O-RING | 13022109 | | • | • | • | • | • | • | • | • | • | • | • | • | • | • | • | • | • | | | |
| 1016 O-RING 4137 D34,52X3,53 NBR | 13022908 | | • | • | • | • | • | • | • | • | • | • | • | • | • | • | • | • | • | | | |
| 1017 O-RING D30X3 | 13018089 | | • | • | • | • | • | • | • | • | • | • | • | • | • | • | • | • | • | | | |
| 1020 AIR RECYCLING 109/102X60 78° (WHITE) | 13017363 | | • | • | • | • | • | • | • | • | • | • | • | • | • | • | • | • | • | | | |
| AIR RECYCLING 119/114X60 78° (BLACK) | 13017364 | | | | | | • | | • | • | • | • | • | • | • | • | • | • | | | | |
| AIR RECYCLING 119/114X60 78° (METAL) | 13023271 | | | | | | | | | | | • | | | | | | | | | | |
| 1030 IGNITION TRANSFO. EBI 2X7,5 230V | 13009663 | | • | • | • | • | • | • | • | • | • | • | • | • | • | • | • | • | • | | | |
| 1040 CABLE GROMMET BLACK D2,3/9 | 13010058 | | • | • | • | • | • | • | • | • | • | • | • | • | • | • | • | • | • | | | |
| 1041 GAS DASHBOARD PLATE 60X60 GRADUATED L52 | 13021960 | | • | • | • | • | • | • | • | • | • | • | • | • | • | • | • | • | • | | | |
| 1042 PRESSURE TAP | 13015502 | | • | • | • | • | • | • | • | • | • | • | • | • | • | • | • | • | • | | | |
| 1043 CABLE GROMMET D5/9 (2 pieces) | 13007808 | | • | • | • | • | • | • | • | • | • | • | • | • | • | • | • | • | • | | | |
| 1044 TUBE D.6+ AIR MEASURE FLANGE | 13021961 | | • | • | • | • | • | • | • | • | • | • | • | • | • | • | • | • | • | | | |
| 1050 AIR FLAP | 13018138 | | • | • | • | • | • | • | • | • | • | • | • | • | • | • | • | • | • | | | |
| 1060 ACTUATOR STE 4,5 B0.37/6-R + CABLE L600 | 65300527 | | • | • | • | • | • | • | • | • | • | • | • | • | • | • | • | • | • | | | |
| 1070 FAN WHEEL D146 X52 D12,7 | 13010012 | | • | • | • | • | • | • | • | • | • | • | • | • | • | • | • | • | • | | | |
| FAN WHEEL D160X52 D12,7 | 13010095 | | | | | | • | | • | • | • | • | • | • | • | • | • | • | | | | |
| 1110 COVER NC12...21A-FC12/16A + SCREW | 65300769 | | • | • | • | • | • | • | • | • | • | • | • | • | • | • | • | • | • | | | |
| 1120 FLAT HEAD SCREW M5X15 | 65300519 | | • | • | • | • | • | • | • | • | • | • | • | • | • | • | • | • | • | | | |
| 1130 UNION ELBOW POLYAMID R1/8-D4 | 13013352 | | • | • | • | • | • | • | • | • | • | • | • | • | • | • | • | • | • | | | |
| 1140 HOSE D4/7 L500 SILICONE | 13015497 | | • | • | • | • | • | • | • | • | • | • | • | • | • | • | • | • | • | | | |
| 1160 MOTOR 0,13KW 230V D12,7 60H | 65300310 | | | | | | • | | | | | • | | | | | | | | | | |
| MOTOR 0,13KW230V D12,7 | 13010014 | | | | | | | | | | | • | | | | | | | | | | |
| MOTOR 0,1KW 230V D12,7 DRILLED | 65327089 | | • | • | • | • | • | • | • | • | • | • | • | • | • | • | • | • | • | | | |
| 1165 CAPACITOR 5µF 2P 3mm | 65325038 | ACC | • | • | • | • | • | • | • | • | • | • | • | • | • | • | • | • | • | | | |
| CAPACITOR 5µF 2P 3mm | 65325038 | SIMEL 100W | • | • | • | • | • | • | • | • | • | • | • | • | • | • | • | • | • | | | |
| CAPACITOR 6,3µF 2P 3mm | 13010016 | | | | | | • | | | | | • | | | | | | | | | | |
| CAPACITOR 6,3µF 2P 3mm | 13010016 | ACC | | | | | | | | | | • | | • | • | • | • | • | | | | |
| CAPACITOR 6,3µF 2P 3mm | 13010016 | SIMEL 160W | • | • | • | • | • | • | • | • | • | • | • | • | • | • | • | • | • | | | |
| CAPACITOR 8µF 2P 3mm | 65300577 | SIMEL | | | | | | | | | | • | | • | • | • | • | • | | | | |
| 1170 AIR PRESSURE SWITCH BASE D32 | 13020723 | | • | • | • | • | • | • | • | • | • | • | • | • | • | • | • | • | • | | | |
| 1180 AIR PRESS.SWITCH 604.91 0,5-5MB+RAST | 13020502 | | • | • | • | • | • | • | • | • | • | • | • | • | • | • | • | • | • | | | |
| 1500 ELECTRIC PART | | | | | | | | | | | | | | | | | | | | | | |
| 1510 IONISATION CABLE MC4/RAST 1P L350 | 65300158 | | • | • | • | • | • | • | • | • | • | • | • | • | • | • | • | • | • | | | |
| 1530 CONTROL UNIT TCG 511.00 | 65301021 | | • | • | • | • | • | • | • | • | • | • | • | • | • | • | • | • | • | | | |
| 1540 CONTROL UNIT BRACKET+DISPLAY | 65300727 | | • | • | • | • | • | • | • | • | • | • | • | • | • | • | • | • | • | | | |
| 1550 DISPLAY/CONTROL UNIT TCG-TCH REL.2.2 | 65301109 | | • | • | • | • | • | • | • | • | • | • | • | • | • | • | • | • | • | | | |
| 1560 CABLE+PLUG WIE. 4P/RAST3P L250 | 65300531 | | • | • | • | • | • | • | • | • | • | • | • | • | • | • | • | • | • | | | |
| 1570 CABLE GAS VALVE+PL.DIN/RAST 5P L1500AGP | 65300648 | | • | • | • | • | • | • | • | • | • | • | • | • | • | • | • | • | • | | | |
| 1580 CABLE GAS P.SWITCH+PLUG DIN/RAST2P L1500 | 13023698 | | • | • | • | • | • | • | • | • | • | • | • | • | • | • | • | • | • | | | |
| 1590 CABLE IGNIT.TRANSFO+PLUG 2P/RAST2P L350 | 65300619 | | • | • | • | • | • | • | • | • | • | • | • | • | • | • | • | • | • | | | |
| 1600 CABLE MOTOR+PLUG 3P/RAST3P L300 | 13010519 | | • | • | • | • | • | • | • | • | • | • | • | • | • | • | • | • | • | | | |

CB-NC12-16-21-GX5A (50/60HZ)

Gas burners



| Description | Manf. Pt. N | Type | <div style="display: flex; justify-content: space-between; font-size: 8px; font-weight: bold;"> CB-NC12-GX50/BA-CB32-214-ROB47/11 CB-NC12-GX50/BA-CB32-214-ROB47/12 CB-NC12-GX50/BA-CB32-214-ROB47/11 CB-NC12-GX50/BA-CB32-214-ROB47/12 CB-NC12-GX50/BA-CB32-214-ROB47/11 CB-NC12-GX50/BA-CB32-214-ROB47/12 CB-NC12-GX50/BA-CB32-214-ROB47/11 CB-NC12-GX50/BA-CB32-214-ROB47/12 CB-NC12-GX50/BA-CB32-214-ROB47/11 CB-NC12-GX50/BA-CB32-214-ROB47/12 CB-NC12-GX50/BA-CB32-214-ROB47/11 CB-NC12-GX50/BA-CB32-214-ROB47/12 CB-NC12-GX50/BA-CB32-214-ROB47/11 CB-NC12-GX50/BA-CB32-214-ROB47/12 CB-NC12-GX50/BA-CB32-214-ROB47/11 CB-NC12-GX50/BA-CB32-214-ROB47/12 </div> | | | | | | | | | | | | | | | | | | From | to |
|---|-------------|------|--|---|---|---|---|---|---|---|---|----|----|----|----|----|----|----|----|----|------|----|
| | | | 1 | 2 | 3 | 4 | 5 | 6 | 7 | 8 | 9 | 10 | 11 | 12 | 13 | 14 | 15 | 16 | 17 | 18 | | |
| 2000 COMBUSTION HEAD | | | | | | | | | | | | | | | | | | | | | | |
| 2100 COMB.HEAD GAS L257 D74,5 CPL.BLOCK-ELECT | 65300762 | | • | • | | | | | | | | | | | | | | | | | | |
| COMB.HEAD GAS L288 D89/93 BLOCK-ELECT. | 65300764 | | | | • | • | | • | | • | • | | • | | • | | | | | | | |
| COMB.HEAD GAS L377 D74,5 BLOCK-ELECT. | 65300763 | | | • | • | | | | | | | | | | | | | | | | | |
| COMB.HEAD GAS L407 D89/93 BLOCK-ELECT. | 65300765 | | | | | | • | | • | | | • | | • | | | | | | • | | |
| 2110 BAFFLE PLATE D74,5/24,5 8SL R +DIFF. D50 | 13019123 | | • | • | • | • | | | | | | | | | | | | | | | | |
| BAFFLE PLATE D91/30 6SL + NOZZLE D47 | 13015802 | | | | | | • | • | • | • | • | • | • | • | • | • | • | • | • | • | | |
| 2130 ELECTRODE BLOCK 12X46 D4 D1,2X10 | 65300738 | | • | • | • | • | • | • | • | • | • | • | • | • | • | • | • | • | • | • | | |
| 2140 PROPANE DIFFUSER | 13018630 | | | | | | • | • | • | • | • | • | • | • | • | • | • | • | • | • | | |
| SHUTTER D57 LPG | 13019125 | | • | • | • | • | | | | | | | | | | | | | | | | |
| 2150 ADJUST ROD D6 L257 M6/D5 | 13022192 | | • | • | | | | | | | | | | | | | | | | | | |
| ADJUST ROD D6 L288 M6/D4,8 | 13018033 | | | | | | • | • | | • | • | | • | | • | | | | | • | | |
| ADJUST ROD D6 L377 M6/D5 | 13022193 | | | • | • | | | | | | | | | | | | | | | | | |
| ADJUST ROD D6 L407 M6/D4,8 | 13018034 | | | | | | | • | | • | | | • | | • | | | | | • | | |
| 2160 GAS HEAD L102 D93/30 6 BRANCH. | 13010023 | | | | | | • | • | • | • | • | • | • | • | • | • | • | • | • | • | | |
| GAS HEAD L67 D72/22 +O-RING 4 BRANCH. | 13010532 | | • | • | • | • | | | | | | | | | | | | | | | | |
| 2170 IONISATION PROBE D8X80 D4 D2X27 80° F+S | 13010529 | | • | • | • | • | • | • | • | • | • | • | • | • | • | • | • | • | • | • | | |
| 2180 IGNITION CABLE D4/D4 L365 AP (X1) | 13013524 | | • | • | • | • | • | • | • | • | • | • | • | • | • | • | • | • | • | • | | |
| IGNITION CABLE D4/D4 L510 AP (X1) | 13014990 | | • | • | • | • | | | • | • | | • | • | • | • | • | • | • | • | • | | |
| 2190 IONISATION CABLE D4 BAN/D4 L350 | 13013525 | | • | • | • | • | | | | • | • | | • | • | • | • | • | • | • | • | | |
| IONISATION CABLE MC4/D4 L650 | 13015121 | | | • | • | | | • | | • | | • | | • | | • | | | | • | | |
| 2200 GAS INLET TUBE+ELBOW D22X215 T1/KN | 13018027 | | • | • | | | | | | | | | | | | | | | | | | |
| GAS INLET TUBE+ELBOW D22X335 T2/KL | 13018028 | | | • | • | | | | | | | | | | | | | | | | | |
| GAS INLET TUBE+ELBOW D30X211 T1/KN | 13021643 | | | | | | • | • | | • | • | | • | | • | | | | | • | | |
| GAS INLET TUBE+ELBOW D30X331 T2/KL | 13020258 | | | | | | | • | | • | | • | | • | | • | | | | • | | |
| 2210 O-RING D30X3 | 13018089 | | • | • | • | • | • | • | • | • | • | • | • | • | • | • | • | • | • | • | | |
| 2250 FLAME TUBE D115/100 L230 AGP | 13021991 | | | | | | • | • | | • | • | | • | | • | | | | | • | | |
| FLAME TUBE D115/100 L350 AGP | 13021992 | | | | | | | • | | • | | • | | • | | • | | | | • | | |
| FLAME TUBE D115/78 L230 AGP | 13021993 | | • | • | | | | | | | | | | | | | | | | | | |
| FLAME TUBE D115/78 L350 AGP | 13021994 | | | • | • | | | | | | | | | | | | | | | | | |
| 2260 BOILER ACCESSORY D115 EUROFLANGE | 13018134 | | • | • | • | • | • | • | • | • | • | • | • | • | • | • | • | • | • | • | | |
| 2261 GASKET/BURNER FLANGE 176X176X8 D115 | 13018135 | | • | • | • | • | • | • | • | • | • | • | • | • | • | • | • | • | • | • | | |
| 2262 GASKET/BRAID D115X5X5-377 | 13020517 | | • | • | • | • | • | • | • | • | • | • | • | • | • | • | • | • | • | • | | |

