

## SPARE PARTS EXPLODED VIEW OIL BURNER

Model

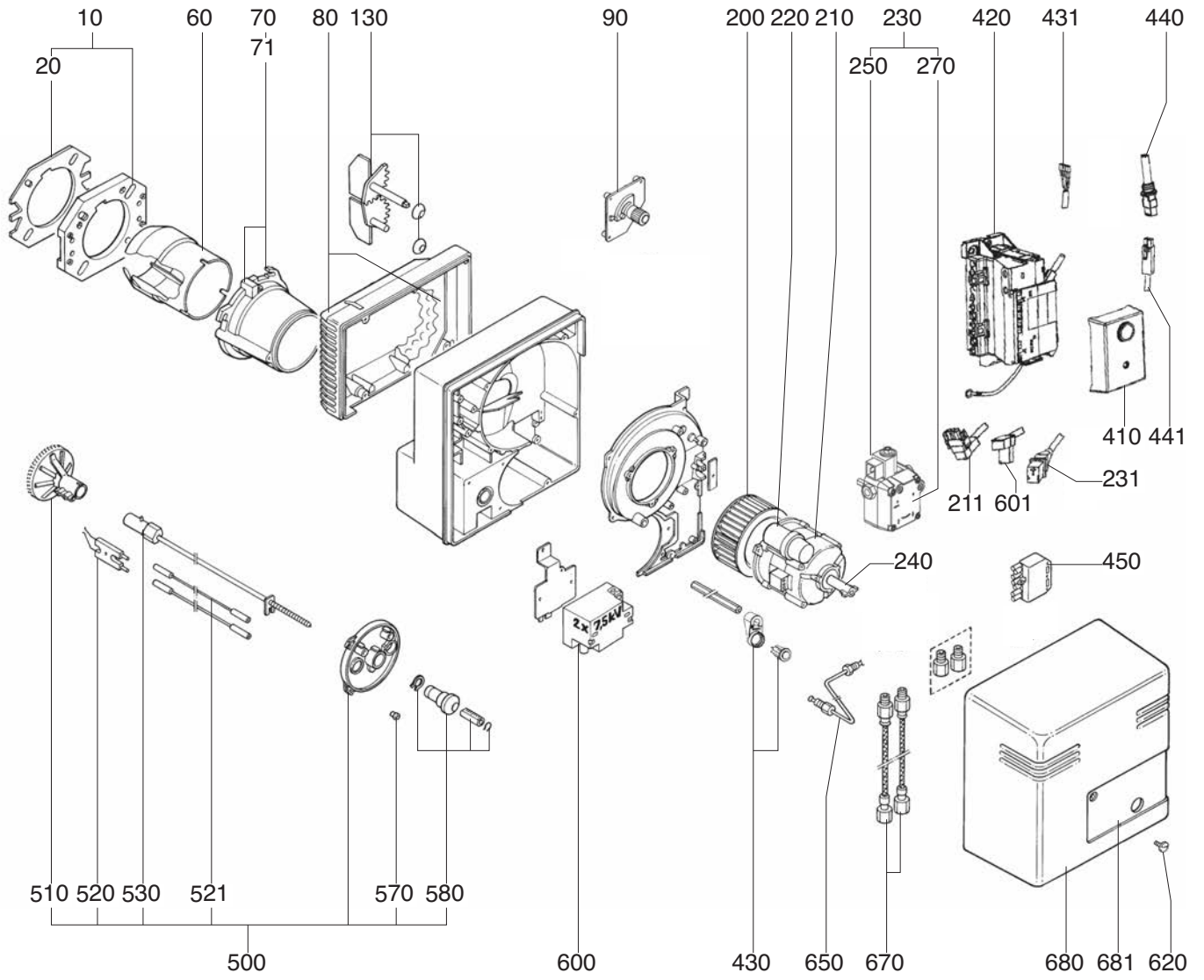
**C20-C24-C30 H101**

R8220218-01 - 07/07/2017

C20-24-30 H101

Oil burner

<b>1</b>	13003980	C20 H 101 T1	06-1999	06-2005
<b>2</b>	13003981	BRULEUR C 20H101 T2 (1ALLURE)	06-1999	06-2005
<b>3</b>	13004166	CB-C24 H101 T1	06-1999	02-2010
<b>4</b>	13004167	CB-C24 H101 T2	06-1999	02-2010
<b>5</b>	13004164	CB-C30 H101 T1	06-1999	02-2010
<b>6</b>	13004165	C30 H101 T2	06-1999	02-2010
Col	Reference	Model type	Begin	End



☉⇒	Description	Manf. Pt. N	Type	<div style="display: flex; justify-content: space-between; align-items: center;"> <div style="writing-mode: vertical-rl; transform: rotate(180deg);">C20 H 101 T1</div> <div style="writing-mode: vertical-rl; transform: rotate(180deg);">C20 H 101 T2</div> <div style="writing-mode: vertical-rl; transform: rotate(180deg);">C24 H 101 T1</div> <div style="writing-mode: vertical-rl; transform: rotate(180deg);">C24 H 101 T2</div> <div style="writing-mode: vertical-rl; transform: rotate(180deg);">C30 H 101 T1</div> <div style="writing-mode: vertical-rl; transform: rotate(180deg);">C30 H 101 T2</div> </div>																		<div style="border: 1px solid black; padding: 2px;"> <span style="font-size: small;">0-0</span>  <span style="font-size: large; font-weight: bold;">31</span> </div>	
				1	2	3	4	5	6	7	8	9	10	11	12	13	14	15	16	17	18	From	to
0010	BOILER ACCESSORY D126	13009972		●	●	●	●	●	●														
0020	GASKET/BURNER FLANGE 215X175X8 D126	13009973		●	●	●	●	●	●														
0060	FLAME TUBE D115/100 L182	13009974		●		●																	
	FLAME TUBE D115/100 L302	13009975			●		●																
	FLAME TUBE D115/124/100 L182	13009976						●															
	FLAME TUBE D115/124/100 L302	13009977							●														
0070	FIXING HEAD D115 PAINTED VECTR.03/C20-30	13011569		●	●	●	●	●	●														
0071	M6 SCREW (LEFT HAND) BURNER TUBE FIX.	13007804		●	●	●	●	●	●														
0080	AIR BOX 336X229X70+INSULATION	13011570		●	●	●	●	●	●														
0090	MANUAL AIR FLAP CONTROL+PLATE 67X54,5	13010010		●	●	●	●	●	●														
0130	AIR FLAP SET VECTR.03/C18-30	13009978		●	●	●	●	●	●														
0200	FAN WHEEL D137 X52 D12,7	13012393		●	●																		
	FAN WHEEL D160 X52 D12,7	13010095				●	●	●	●														
0210	MOTOR 0,095KW230V D12,7	13020329		●	●																		
	MOTOR 0,16KW230V D12,7	13009981				●	●	●	●														
0211	CABLE MOTOR+PLUG 3P/RAST3P L300	13010519		●	●	●	●	●	●														
0220	CAPACITOR 4µF 2P 3mm	13011117	ACC	●	●																		
	CAPACITOR 5µF 2P 3mm	65325038	ACC			●	●	●	●														
	CAPACITOR 5µF 2P 3mm	65325038	SIMEL	●	●																		
	CAPACITOR 6,3µF 2P 3MM	13010016	SIMEL			●	●	●	●														
0230	KIT FOR PUMP AS47D+ CONNECTION NIPPLE	13004800		●	●	●	●	●	●														
0231	CABLE SOL.VALVE+PLUG 3P/RAST3P L420V1	13011090		●	●	●	●	●	●														
0240	COUPLING D18/14,7/11X22 PUMP/MOTOR	65074172		●	●	●	●	●	●														
0250	SOLE. VALVE SUN FOR PUMP AS47	13014854		●	●	●	●	●	●														
0270	KIT FILTER D20 SUN PUMP A 47/57/67	13010468		●	●	●	●	●	●														
0410	CONTROL UNIT SH 113 C2	13011039		●	●	●	●	●	●														
0420	ELEC.CONNECTION BOX OIL 2ST. W/O CABLE	13011050		●	●	●	●	●	●														
0430	RESET BUTTON D16/19X33+HOLDER+CABLE	13011087		●	●	●	●	●	●														
0431	CABLE RESET+PLUG FASTON/RAST4P L350	13011088		●	●	●	●	●	●														
0440	PHOTOCELL MZ 770 S	13009974		●	●	●	●	●	●														
0441	CABLE CELL MZ+PLUG 2P/RAST2P L200	13011093		●	●	●	●	●	●														
0450	WIELAND PLUG 7P SILK-SCREEN PRINTED	13010523		●	●	●	●	●	●														
0500	MIXING UNIT CPL. KL/T2	13014633			●		●		●														
	MIXING UNIT CPL. KN/T1	13014632		●		●		●															
0510	BAFFLE PLATE D90/20X79 6SL R	13009987		●	●	●	●	●	●														
0520	ELECTROD.BLOC.25X48 D4D1,5X22 45° +SCREW	13007907		●	●	●	●	●	●														
0521	IGNITION CABLE D4/D4 L625	13009990		●	●	●	●	●	●														
0530	NOZZLE ROD L426 VL03 KN/C24-30H T1	13009991		●		●		●															
	NOZZLE ROD L546 VL03 KL/C24-30H T2	13009992			●		●		●														
0570	GROMMET D.5/9/IGNITION LEAD	13007808		●	●	●	●	●	●														
0580	BUTTON D35/20X60+VERNIER D12/8X48+CLIPS	13007852		●	●	●	●	●	●														
0600	IGNITION TRANSFORMER EBI 2X7.5 230V	13009663		●	●	●	●	●	●														
0601	CABLE IGNIT.TRANSFO+PLUG 3P/RAST 2P L320	13012226		●	●	●	●	●	●														
0620	OVAL HEAD SCREW	13007853		●	●	●	●	●	●														
0650	OIL FEED TUBE	13009996		●	●	●	●	●	●														
0670	OIL HOSE L 1,15 M	13016021		●	●	●	●	●	●														
0680	EQUIPED COVER C20 HG 1ALL	13015658		●	●																		
	EQUIPED COVER C24 HG 1ALL	13015660				●	●																
0681	STANDARD FRONT COVER	13015465		●	●	●	●	●	●														

Oil burner C20-24-30 H101

