

| REP |  | DESIGNATIONS                       | PIECES COMMUNES |           | PIECES SPECIFIQUES |       |       |        |
|-----|--|------------------------------------|-----------------|-----------|--------------------|-------|-------|--------|
|     |  |                                    | Qté             | Code      | 66 KW              | 83 KW | 99 KW | 116 KW |
| 1   |  | ENS. COTE DROIT ROUGE              | 1               | S136808A  |                    |       |       |        |
| 1   |  | ENS. COTE DROIT BLANC-2005         | 1               | S136808C  |                    |       |       |        |
| 1   |  | ENS. COTE DROIT BLANC-2006         | 1               | S136808EE |                    |       |       |        |
| 2   |  | ENS. COTE GAUCHE ROUGE             | 1               | S136807A  |                    |       |       |        |
| 2   |  | ENS. COTE GAUCHE BLANC-2005        | 1               | S136807C  |                    |       |       |        |
| 2   |  | ENS. COTE GAUCHE BLANC-2006        | 1               | S136807EE |                    |       |       |        |
| 3   |  | ENS. FACADE DROITE                 | 1               | S136416BB |                    |       |       |        |
| 4   |  | ENS. FACADE GAUCHE                 | 1               | S136415BB |                    |       |       |        |
| 5   |  | FACADE 5 ELEMENTS ROUGE            |                 | S136423A  | 1                  |       |       |        |
| 5   |  | FACADE 5 ELEMENTS BLANCHE-2005     |                 | S136423C  | 1                  |       |       |        |
| 5   |  | FACADE 5 ELEMENTS BLANCHE-2006     |                 | S136423EE | 1                  |       |       |        |
| 5   |  | FACADE 6 ELEMENTS ROUGE            |                 | S136424A  |                    | 1     |       |        |
| 5   |  | FACADE 6 ELEMENTS BLANCHE-2005     |                 | S136424C  |                    | 1     |       |        |
| 5   |  | FACADE 6 ELEMENTS BLANCHE-2006     |                 | S136424EE |                    | 1     |       |        |
| 5   |  | FACADE 7 ELEMENTS ROUGE            |                 | S136425A  |                    |       | 1     |        |
| 5   |  | FACADE 7 ELEMENTS BLANCHE-2005     |                 | S136425C  |                    |       | 1     |        |
| 5   |  | FACADE 7 ELEMENTS BLANCHE-2006     |                 | S136425EE |                    |       | 1     |        |
| 5   |  | FACADE 8 ELEMENTS ROUGE            |                 | S136426A  |                    |       |       | 1      |
| 5   |  | FACADE 8 ELEMENTS BLANCHE-2005     |                 | S136426C  |                    |       |       | 1      |
| 5   |  | FACADE 8 ELEMENTS BLANCHE-2006     |                 | S136426EE |                    |       |       | 1      |
| 6   |  | ENS. DESSUS 5 ELEMENTS ROUGE       |                 | S136926A  | 1                  |       |       |        |
| 6   |  | ENS. DESSUS 5 ELEMENTS BLANC-2005  |                 | S136926C  | 1                  |       |       |        |
| 6   |  | ENS. DESSUS 5 ELEMENTS BLANC-2006  |                 | S136926EE | 1                  |       |       |        |
| 6   |  | ENS. DESSUS 6 ELEMENTS ROUGE       |                 | S136927A  |                    | 1     |       |        |
| 6   |  | ENS. DESSUS 6 ELEMENTS BLANC-2005  |                 | S136927C  |                    | 1     |       |        |
| 6   |  | ENS. DESSUS 6 ELEMENTS BLANC-2006  |                 | S136927EE |                    | 1     |       |        |
| 6   |  | ENS. DESSUS 7 ELEMENTS ROUGE       |                 | S136928A  |                    |       | 1     |        |
| 6   |  | ENS. DESSUS 7 ELEMENTS BLANC-2005  |                 | S136928C  |                    |       | 1     |        |
| 6   |  | ENS. DESSUS 7 ELEMENTS BLANC-2006  |                 | S136928EE |                    |       | 1     |        |
| 6   |  | ENS. DESSUS 8 ELEMENTS ROUGE       |                 | S136929A  |                    |       |       | 1      |
| 6   |  | ENS. DESSUS 8 ELEMENTS BLANC-2005  |                 | S136929C  |                    |       |       | 1      |
| 6   |  | ENS. DESSUS 8 ELEMENTS BLANC-2006  |                 | S136929EE |                    |       |       | 1      |
| 7   |  | DESSUS AVANT 5 ELEMENTS ROUGE      |                 | S136431A  | 1                  |       |       |        |
| 7   |  | DESSUS AVANT 5 ELEMENTS BLANC-2005 |                 | S136431C  | 1                  |       |       |        |
| 7   |  | DESSUS AVANT 5 ELEMENTS BLANC-2006 |                 | S136431EE | 1                  |       |       |        |
| 7   |  | DESSUS AVANT 6 ELEMENTS ROUGE      |                 | S136432A  |                    | 1     |       |        |
| 7   |  | DESSUS AVANT 6 ELEMENTS BLANC-2005 |                 | S136432C  |                    | 1     |       |        |
| 7   |  | DESSUS AVANT 6 ELEMENTS BLANC-2006 |                 | S136432EE |                    | 1     |       |        |
| 7   |  | DESSUS AVANT 7 ELEMENTS ROUGE      |                 | S136433A  |                    |       | 1     |        |
| 7   |  | DESSUS AVANT 7 ELEMENTS BLANC-2005 |                 | S136433C  |                    |       | 1     |        |

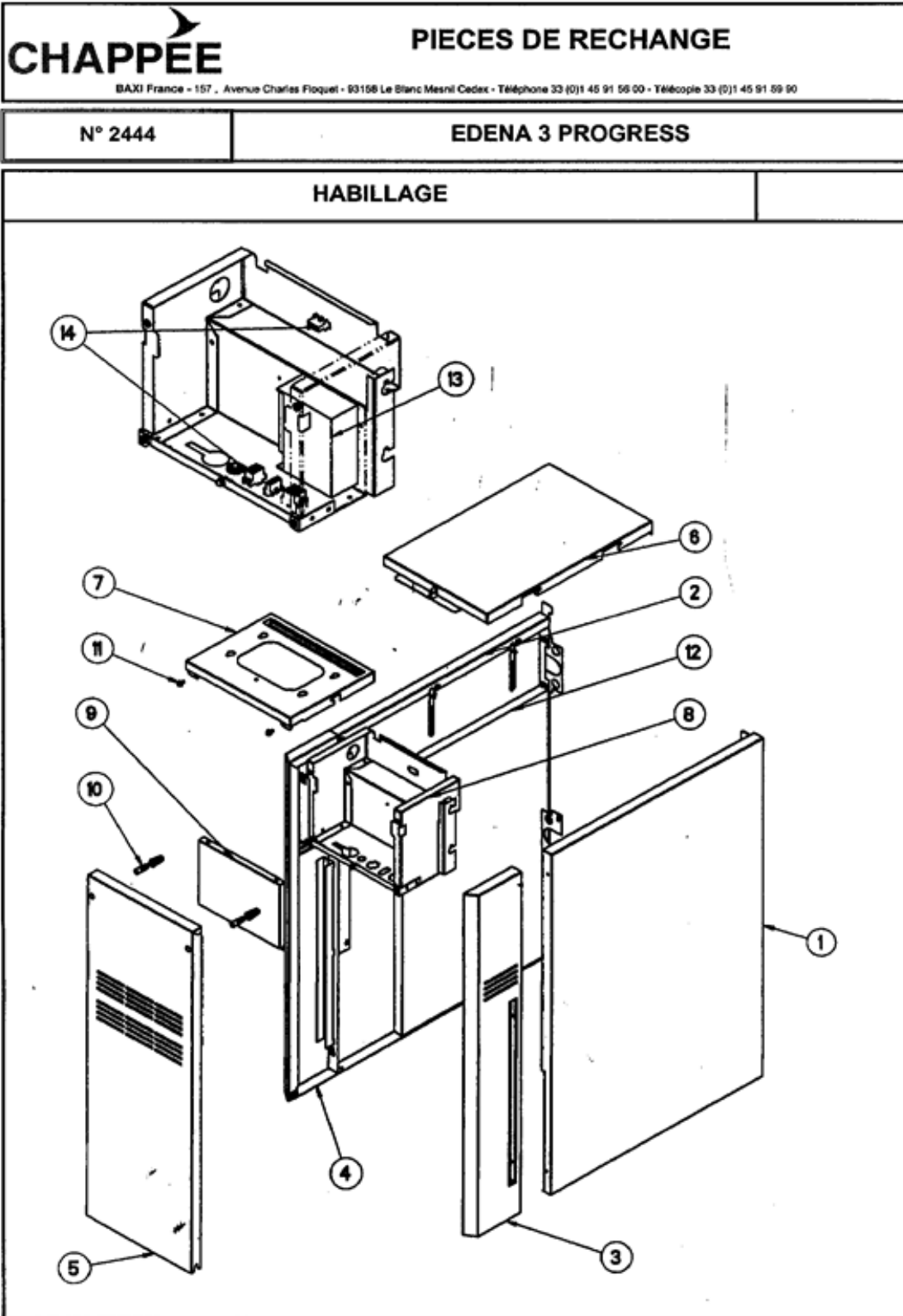
| DESIGNATIONS |   | PIECES COMMUNES |           | PIECES SPECIFIQUES |       |       |        |
|--------------|---|-----------------|-----------|--------------------|-------|-------|--------|
|              |   | Qté             | Code      | 66 KW              | 83 KW | 99 KW | 116 KW |
| 7            | DESSUS AVANT 7 ELEMENTS BLANC-2006      |                 | S136433EE |                    |       | 1     |        |
| 7            | DESSUS AVANT 8 ELEMENTS ROUGE           |                 | S136434A  |                    |       |       | 1      |
| 7            | DESSUS AVANT 8 ELEMENTS BLANC-2005      |                 | S136434C  |                    |       |       | 1      |
| 7            | DESSUS AVANT 8 ELEMENTS BLANC-2006      |                 | S136434EE |                    |       |       | 1      |
| 8            | ENS. CAISSON 5 ELEMENTS                 |                 | S136920H  | 1                  |       |       |        |
| 8            | ENS. CAISSON 6 ELEMENTS                 |                 | S136921H  |                    | 1     |       |        |
| 8            | ENS. CAISSON 7 ELEMENTS                 |                 | S136922H  |                    |       | 1     |        |
| 8            | ENS. CAISSON 8 ELEMENTS                 |                 | S136923H  |                    |       |       | 1      |
| 9            | FACADE TABLEAU 5 ELEMENTS               |                 | S136449H  | 1                  |       |       |        |
| 9            | FACADE TABLEAU 6 ELEMENTS               |                 | S136450H  |                    | 1     |       |        |
| 9            | FACADE TABLEAU 7 ELEMENTS               |                 | S136451H  |                    |       | 1     |        |
| 9            | FACADE TABLEAU 8 ELEMENTS               |                 | S136452H  |                    |       |       | 1      |
| 10           | QUICKLOC S60                            | 1               | S17002478 |                    |       |       |        |
| 11           | SACHET DE VISSERIE                      | 1               | S503042   |                    |       |       |        |
| 12           | CALORIFUGE DE PANNEAU                   | 1               | S131804   |                    |       |       |        |
| 13           | COFFRET DGA1 65F 10.3                   | 1               | S17001084 |                    |       |       |        |
| 13           | COFFRET DGRV 010A (06/2004 Interchang.) | 1               | S138574   |                    |       |       |        |
| 14           | CABLAGE BOITIER DGA1                    | 1               | S136405   |                    |       |       |        |
| 15           | LOGO CLIPS CHAPPEE                      | 1               | S504974   |                    |       |       |        |
|              |   |                 |           |                    |       |       |        |
|              |   |                 |           |                    |       |       |        |
|              |   |                 |           |                    |       |       |        |
|              |   |                 |           |                    |       |       |        |
|              |   |                 |           |                    |       |       |        |
|              |   |                 |           |                    |       |       |        |
|              |   |                 |           |                    |       |       |        |
|              |   |                 |           |                    |       |       |        |
|              |   |                 |           |                    |       |       |        |
|              |   |                 |           |                    |       |       |        |
|              |   |                 |           |                    |       |       |        |
|              |   |                 |           |                    |       |       |        |
|              |   |                 |           |                    |       |       |        |
|              |   |                 |           |                    |       |       |        |
|              |   |                 |           |                    |       |       |        |
|              |   |                 |           |                    |       |       |        |
|              |   |                 |           |                    |       |       |        |
|              |   |                 |           |                    |       |       |        |
|              |   |                 |           |                    |       |       |        |
|              |   |                 |           |                    |       |       |        |
|              |   |                 |           |                    |       |       |        |
|              |   |                 |           |                    |       |       |        |
|              |   |                 |           |                    |       |       |        |
|              |   |                 |           |                    |       |       |        |
|              |   |                 |           |                    |       |       |        |
|              |   |                 |           |                    |       |       |        |
|              |   |                 |           |                    |       |       |        |
|              |   |                 |           |                    |       |       |        |
|              |   |                 |           |                    |       |       |        |
|              |   |                 |           |                    |       |       |        |

## EDENA 3 PROG.

| Repère | Référence | Désignation                                    | Quantité |
|--------|-----------|--|----------|
| 1      | S136808A  | COTE DROIT EDENA 3 PROGRESS ROUGE              | 1,0000   |
| 1      | S136808C  | COTE DROIT EDENA 3 PROGRESS BLANC              | 1,0000   |
| 1      | S136808EE | ENS. COTE D. 4 A 8 ELTS                        | 1,0000   |
| 2      | S136807A  | COTE GAUCHE EDENA 3 PROGRESS ROUGE             | 1,0000   |
| 2      | S136807C  | COTE GAUCHE EDENA 3 PROGRESS BLANC             | 1,0000   |
| 2      | S136807EE | ENS. COTE G. 4 A 8 ELTS E                      | 1,0000   |
| 3      | S136416BB | FACADE DROITE                                  | 1,0000   |
| 4      | S136415BB | FACADE GAUCHE                                  | 1,0000   |
| 5      | S136423A  | FACADE EDENA 3 PROGRESS 5 ELEMENTS ROUGE       | 1,0000   |
| 5      | S136423C  | FACADE EDENA 3 PROGRESS 5 ELEMENTS BLANC       | 1,0000   |
| 5      | S136423EE | FACADE 5 ELTS                                  | 1,0000   |
| 5      | S136424A  | FACADE EDENA 3 PROGRESS 6 ELEMENTS ROUGE       | 1,0000   |
| 5      | S136424C  | FACADE EDENA 3 PROGRESS 6 ELEMENTS BLANC       | 1,0000   |
| 5      | S136425A  | FACADE EDENA 3 PROGRESS 7 ELEMENTS ROUGE       | 1,0000   |
| 5      | S136425C  | FACADE EDENA 3 PROGRESS 7 ELEMENTS BLANC       | 1,0000   |
| 5      | S136426A  | FACADE EDENA 3 PROGRESS 8 ELEMENTS ROUGE       | 1,0000   |
| 5      | S136426C  | FACADE EDENA 3 PROGRESS 8 ELEMENTS BLANC       | 1,0000   |
| 6      | S136926A  | DESSUS EDENA 3 PROGRESS 5 ELEMENTS ROUGE       | 1,0000   |
| 6      | S136926C  | DESSUS EDENA 3 PROGRESS 5 ELEMENTS BLANC       | 1,0000   |
| 6      | S136926EE | ENS. DESSUS 5 ELTS                             | 1,0000   |
| 6      | S136927A  | DESSUS EDENA 3 PROGRESS 6 ELEMENTS ROUGE       | 1,0000   |
| 6      | S136927C  | DESSUS EDENA 3 PROGRESS 6 ELEMENTS BLANC       | 1,0000   |
| 6      | S136928A  | DESSUS EDENA 3 PROGRESS 7 ELEMENTS ROUGE       | 1,0000   |
| 6      | S136928C  | DESSUS EDENA 3 PROGRESS 7 ELEMENTS BLANC       | 1,0000   |
| 6      | S136929A  | DESSUS EDENA 3 PROGRESS 8 ELEMENTS ROUGE       | 1,0000   |
| 6      | S136929C  | DESSUS EDENA 3 PROGRESS 8 ELEMENTS BLANC       | 1,0000   |
| 7      | S136431A  | DESSUS AVANT EDENA 3 PROGRESS 5 ELEMENTS ROUGE | 1,0000   |
| 7      | S136431C  | DESSUS AVANT 5 ELEM.BLANC                      | 1,0000   |
| 7      | S136431EE | DESSUS AV. 5 ELTS                              | 1,0000   |
| 7      | S136432A  | DESSUS AVANT EDENA 3 PROGRESS 6 ELEMENTS ROUGE | 1,0000   |
| 7      | S136432C  | DESSUS AVANT 6 ELEM.BLANC                      | 1,0000   |
| 7      | S136433A  | DESSUS AVANT EDENA 3 PROGRESS 7 ELEMENTS ROUGE | 1,0000   |
| 7      | S136433C  | DESSUS AVANT EDENA 3 PROGRESS 7 ELEMENTS BLANC | 1,0000   |
| 7      | S136434A  | DESSUS AVANT EDENA 3 PROGRESS 8 ELEMENTS ROUGE | 1,0000   |


## EDENA 3 PROG.

| Repère | Référence | Désignation                    | Quantité |
|--------|-----------|--------------------------------|----------|
| 7      | S136434C  | DESSUS AVANT 8 ELEM.BLANC      | 1,0000   |
| 8      | S136920H  | CAISSON 5 ELEMENTS             | 1,0000   |
| 8      | S136921H  | CAISSON 6 ELEMENTS             | 1,0000   |
| 8      | S136922H  | CAISSON 7 ELEMENTS             | 1,0000   |
| 8      | S136923H  | CAISSON 8 ELEMENTS             | 1,0000   |
| 9      | S136449H  | FACADE TABLEAU 5 ELEMENTS      | 1,0000   |
| 9      | S136450H  | FACADE TABLEAU 6 ELEMENTS      | 1,0000   |
| 9      | S136451H  | FACADE TABLEAU 7 ELEMENTS      | 1,0000   |
| 9      | S136452H  | FACADE TABLEAU 8 ELEMENTS      | 1,0000   |
| 10     | S17002478 | ATTACHE QUICKLOC SK0650 197    | 1,0000   |
| 11     | S503042   | SACHET VISSERIE JAQUETTE       | 1,0000   |
| 12     | S131804   | CALORIFUGE DE PANNEAU          | 1,0000   |
| 13     | S138574   | BOITIER CONTROLE DGRV010A      | 1,0000   |
| 13     | S17001084 | COFFRET DGAI 65F 10.3 TCL      | 1,0000   |
| 14     | S136405   | CABLAGE BOITIER DGAI(65F 10.3) | 1,0000   |
| 15     | S504974   | LOGO CLIPS CHAPPEE             | 1,0000   |



25/04/2003

HabEdena3Prog.xls

|  <b>PIECES DE RECHANGE</b><br><small>BAXI France - 167, Avenue Charles Floquet - 93158 Le Blanc Mesnil Cedex - Téléphone 33 (0)1 45 91 56 00 - Télécopie 33 (0)1 45 91 59 00</small> |                                    |                              |           |                    |     |     |     |
|---|------------------------------------|------------------------------|-----------|--------------------|-----|-----|-----|
| <b>N° 2445</b>  |                                    | <b>EDENA 3 ET 4 PROGRESS</b> |           |                    |     |     |     |
| <b>ENSEMBLE BANDEAU</b>   |                                    |                              |           |                    |     |     |     |
| REP   | DESIGNATIONS                       | PIECES COMMUNES              |           | PIECES SPECIFIQUES |     |     |     |
|   |                                    | Qté                          | Code      | Qté                | Qté | Qté | Qté |
| 1   | COUVERCLE ALUMINIUM LG 259         | 1                            | S136124   |                    |     |     |     |
| 2D  | COIN DROIT TABLEAU                 | 1                            | S134293   |                    |     |     |     |
| 2G  | COIN GAUCHE TABLEAU                | 1                            | S134292   |                    |     |     |     |
| 3   | CAPOT ARRIERE TABLEAU GRIS         | 1                            | S136345BB |                    |     |     |     |
| 4   | CARTER TABLEAU SUPERIEUR GRIS      | 1                            | S136342BB |                    |     |     |     |
| 5   | CARTER TABLEAU INFERIEUR GRIS      | 1                            | S136659BB |                    |     |     |     |
| 6   | SUPPORT BORNIER                    | 1                            | S136979   |                    |     |     |     |
| 10  | THERMOSTAT TXA 4C                  | 1                            | S17007037 |                    |     |     |     |
| 11  | MANETTE THERMOSTAT                 | 1                            | S17004738 |                    |     |     |     |
| 12  | PORTE FUSIBLE COMPLET              | 1                            | S15803999 |                    |     |     |     |
| 12A   | FUSIBLE 5x20 6,3 A                 | 1                            | S15803525 |                    |     |     |     |
| 13  | SACHET DE VOYANTS                  | 1                            | S501970   |                    |     |     |     |
| 14  | SACHET INTERRUPTEURS               | 1                            | S503081   |                    |     |     |     |
| 15  | THERMOSTAT TG400 CAP. 3 M          | 1                            | S137564   |                    |     |     |     |
| 16  | THERMOMETRE 68,5 x 14,5 0 - 120°   | 1                            | S138370   |                    |     |     |     |
| 17  | FACADE MODULE CB 120               | 1                            | S137158   |                    |     |     |     |
| 20  | ENS. MODULE DE BASE CB 120         | 1                            | S137157   |                    |     |     |     |
| 20A   | CABLAGE MODULE DE BASE CB 120      | 1                            | S136811   |                    |     |     |     |
| 21  | ENS. MODULE CE 100                 | 1                            | S137160   |                    |     |     |     |
| 21A   | CABLAGE MODULE CE 100 ELECTRONIQUE | 1                            | S136412   |                    |     |     |     |
| 22  | REGULATEUR RVA 63.280 - ECO 5      | 1                            | S17006405 |                    |     |     |     |
| 22A   | CABLAGE REGULATION ECO 5           | 1                            | S136812   |                    |     |     |     |
| 23  | REGULATEUR RVA 43.222 - ECO 7      | 1                            | S500849   |                    |     |     |     |
| 23A   | CABLAGE REGULATION ECO 7 - ECO 8   | 1                            | S136815   |                    |     |     |     |
| 24  | REGULATEUR RVA 43.222 - ECO 8      | 1                            | S500849   |                    |     |     |     |
| 25  | SONDE EXTERIEURE QAC 31            | 1                            | S17006721 |                    |     |     |     |
| 25A   | SONDE CHAUDIERE QAZ 21 / 2000      | 1                            | S17006722 |                    |     |     |     |
| 25B   | SONDE DEPART QAD 21                | 1                            | S17006815 |                    |     |     |     |
| 30  | CACHE GRAND MODELE                 | 1                            | S17000983 |                    |     |     |     |
| 31  | CACHE PETIT MODELE                 | 1                            | S17000982 |                    |     |     |     |

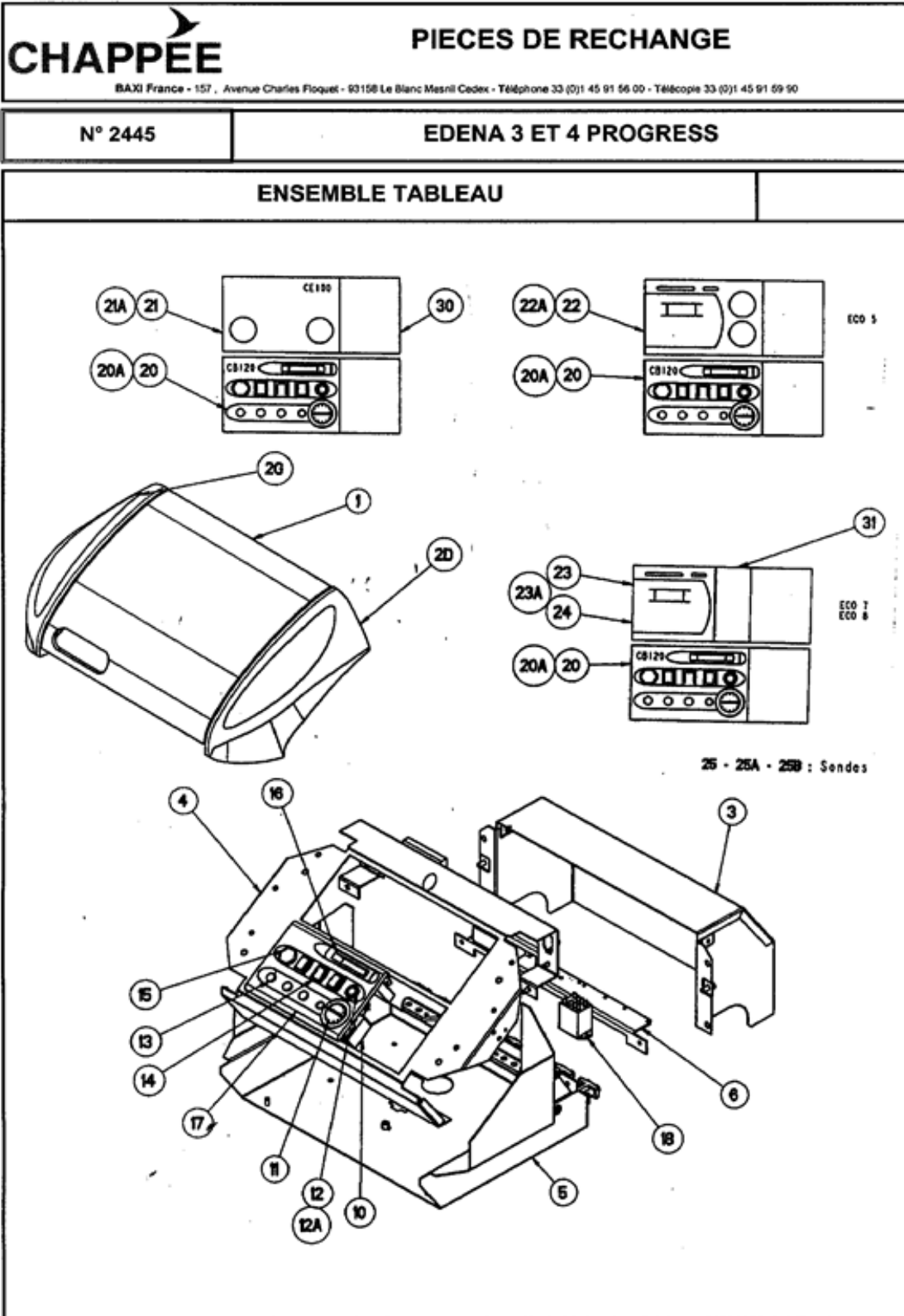
## EDENA 3 PROG.


| Repère | Référence | Désignation  | Quantité |
|--------|-----------|--|----------|
| 1      | S136124   | COUVERCLE ALUMINIUM LG:259                                   | 1,0000   |
| 2D     | S134293   | COIN DROIT TABLEAU IS  | 1,0000   |
| 2G     | S134292   | COIN GAUCHE TABLEAU IS                                       | 1,0000   |
| 3      | S136345BB | CAPOT ARRIERE TABLEAU GRIS                                   | 1,0000   |
| 4      | S136342BB | CARTER TABLEAU SUPERIEUR GRIS                                | 1,0000   |
| 5      | S136659BB | CARTER TABLEAU INFERIEUR GRIS                                | 1,0000   |
| 6      | S136979   | SUPPORT BORNIER  | 1,0000   |
| 10     | S17007004 | THERMOSTAT TXA 4C 018-30/90°(anc.lib:TUA 4C 117 le 16/04/02) | 1,0000   |
| 10     | S17007037 | THERMOSTAT REG.TXA4C 014 CAP:3m (ex.TUA4C 126 03/06/02)      | 1,0000   |
| 11     | S17004738 | MANETTE THERMOSTAT P/CB110                                   | 1,0000   |
| 12     | S15803999 | PORTE FUSIBLE  | 1,0000   |
| 12A    | S15803525 | FUSIBLE 6.3 AMPERES 5X20                                     | 1,0000   |
| 13     | S501970   | SACHET VOYANTS   | 1,0000   |
| 14     | S503081   | SACHET INTERRUPTEURS GCG                                     | 1,0000   |
| 15     | S137564   | THERMOSTAT SECU.TG400 CAP:3m                                 | 1,0000   |
| 15     | S17006955 | THERMOSTAT TG400 CAP.2M 971.11348-01A(GP:0==>GP:6 06/12/01)  | 1,0000   |
| 16     | S134421   | THERMOMETRE 68,5x14,5 0-120° CAP:1,50m                       | 1,0000   |
| 16     | S138370   | THERMOMETRE MINI NOIR CAP:3m                                 | 1,0000   |
| 17     | S137158   | FACADE MODULE CB 120   | 1,0000   |
| 20     | S137157   | ENS.MODULE DE BASE CB120                                     | 1,0000   |
| 20A    | S136811   | CABLAGE MODULE DE BASE C 120                                 | 1,0000   |
| 21     | S137160   | ENS.MODULE CE100   | 1,0000   |
| 21A    | S136412   | CABLAGE MODULE CE100 ELECTRONIQUE                            | 1,0000   |
| 22     | S17006405 | REGULATEUR RVA 63280/104 ECO 5                               | 1,0000   |
| 22A    | S136812   | CABLAGE REGULATION ECO 5                                     | 1,0000   |
| 23     | S500849   | REGULATEUR RVA 43.222/104 ECO 7                              | 1,0000   |
| 23A    | S136815   | CABLAGE REGULATION ECO 7/8                                   | 1,0000   |
| 24     | S500849   | REGULATEUR RVA 43.222/104 ECO 7                              | 1,0000   |
| 25     | S17006721 | SONDE EXTERIEURE QAC 31 (GP:11 ==> GP:6 le 02.04.01)         | 1,0000   |
| 25A    | S17006722 | SONDE QAZ 21 L=2M  | 1,0000   |
| 25B    | S17006815 | SONDE DEPART QAD21 (GP:11 ==> GP:6 le 02.04.01)              | 1,0000   |

EDENA 3 PROG.

| Repère | Référence | Désignation                        | Quantité |
|--------|-----------|------------------------------------|----------|
| 30     | S17000983 | CACHE G.M.AVA 30.200/109 V17000983 | 1,0000   |
| 31     | S17000982 | CACHE P.M AVA 10.200/109 V17000982 | 1,0000   |





|  <b>PIECES DE RECHANGE</b><br><small>BAXI France - 157, Avenue Charles Floquet - 93158 Le Blanc Mesnil Cedex - Téléphone 33 (0)1 45 91 56 00 - Télécopie 33 (0)1 45 91 59 90</small> |                                  |                       |           |                    |     |     |
|---|----------------------------------|-----------------------|-----------|--------------------|-----|-----|
| N° 2473   |                                  | EDENA 3 ET 4 PROGRESS |           |                    |     |     |
| ENSEMBLE BANDEAU 2004   |                                  |                       |           |                    |     |     |
| REP   | DESIGNATIONS                     | PIECES COMMUNES       |           | PIECES SPECIFIQUES |     |     |
|   |                                  | Qté                   | Code      | Qté                | Qté | Qté |
| 1   | FACADE                           | 1                     | S137535   |                    |     |     |
| 2   | CACHE COMPTEUR                   | 1                     | S17002268 |                    |     |     |
| 2A  | CACHE THERMOMETRE                | 1                     | S17002281 |                    |     |     |
| 3   | CAPOT ARRIERE                    | 1                     | S137874A  |                    |     |     |
| 4   | FACADE SUPPORT                   | 1                     | S137873H  |                    |     |     |
| 5   | ENSEMBLE CARTER TABLEAU          | 1                     | S504313   |                    |     |     |
| 6   | SUPPORT BORNIER                  | 1                     | S136979   |                    |     |     |
| 10  | THERMOSTAT TXA 4C                | 1                     | S17007037 |                    |     |     |
| 11  | MANETTE THERMOSTAT               | 1                     | S17004738 |                    |     |     |
| 12  | PORTE FUSIBLE COMPLET            | 1                     | S15803999 |                    |     |     |
| 12A   | FUSIBLE TFS 5x20 6,3 A           | 1                     | S15803525 |                    |     |     |
| 13  | SACHET VOYANTS                   | 1                     | S501970   |                    |     |     |
| 14  | SACHET INTERRUPTEURS             | 1                     | S503081   |                    |     |     |
| 15  | THERMOSTAT TG 400 Cap. 3 M       | 1                     | S137564   |                    |     |     |
| 16  | THERMOMETRE 68,5x14,5 0-120°     | 1                     | S138370   |                    |     |     |
| 17  | FACADE MODULE CB 120             | 1                     | S137158   |                    |     |     |
| 19  | RELAIS TEMPORISE                 | 1                     | S503756   |                    |     |     |
| 20  | ENS. MODULE DE BASE CB 120       | 1                     | S137157   |                    |     |     |
| 20A   | CABLAGE MODULE DE BASE CB 120    | 1                     | S136811   |                    |     |     |
| 21  | ENS. MODULE CE 100               | 1                     | S137160   |                    |     |     |
| 21A   | CABLAGE MODULE CE 100            | 1                     | S136412   |                    |     |     |
| 22  | REGULATEUR RVA 63.280/104 ECO 5  | 1                     | S17006405 |                    |     |     |
| 22A   | CABLAGE REGULATION ECO 5         | 1                     | S136812   |                    |     |     |
| 23  | REGULATEUR RVA 43.222/104 ECO 7  | 1                     | S500849   |                    |     |     |
| 23A   | CABLAGE REGULATION ECO 7 - ECO 8 | 1                     | S136815   |                    |     |     |
| 24  | REGULATEUR RVA 43.222/104 ECO 8  | 1                     | S500849   |                    |     |     |
| 25  | SONDE EXTERIEURE QAC 31          | 1                     | S17006721 |                    |     |     |
| 25A   | SONDE CHAUD. QAZ 21/2000         | 1                     | S17006722 |                    |     |     |
| 25B   | SONDE DEPART QAD 21/109 ECO 5    | 1                     | S17006815 |                    |     |     |
| 3A  | ENSEMBLE VERROU DZUS             | 1                     | S504314   |                    |     |     |
| 30  | CACHE G.M. AVA 30.200/109        | 1                     | S17000983 |                    |     |     |
| 31  | CACHE P.M. AVA 10.200/109        | 1                     | S17000982 |                    |     |     |

## EDENA 3 PROG.

| Repère | Référence | Désignation  | Quantité |
|--------|-----------|--|----------|
| 1      | S137535   | FACADE   | 1,0000   |
| 1A     | S138995   | COUVERCLE TABLEAU CE   | 1,0000   |
| 2      | S17002268 | CACHE COMPTEUR   | 1,0000   |
| 2A     | S17002281 | CACHE THERMOMETRE  | 1,0000   |
| 3      | S137874A  | CAPOT ARRIERE  | 1,0000   |
| 3      | S137874H  | CAPOT ARRIERE HT   | 1,0000   |
| 3A     | S504314   | ENS.VERROU DZUS  | 1,0000   |
| 4      | S137873H  | FACADE SUPPORT   | 1,0000   |
| 5      | S504313   | ENS.CARTER TABLEAU   | 1,0000   |
| 6      | S136979   | SUPPORT BORNIER  | 1,0000   |
| 10     | S17007004 | THERMOSTAT TXA 4C 018-30/90°(anc.lib:TUA 4C 117 le 16/04/02) | 1,0000   |
| 10     | S17007037 | THERMOSTAT REG.TXA4C 014 CAP:3m (ex.TUA4C 126 03/06/02)      | 1,0000   |
| 11     | S17004738 | MANETTE THERMOSTAT P/CB110                                   | 1,0000   |
| 12     | S15803999 | PORTE FUSIBLE  | 1,0000   |
| 12A    | S15803525 | FUSIBLE 6.3 AMPERES 5X20                                     | 1,0000   |
| 13     | S501970   | SACHET VOYANTS   | 1,0000   |
| 14     | S503081   | SACHET INTERRUPTEURS GCG                                     | 1,0000   |
| 15     | S137564   | THERMOSTAT SECU.TG400 CAP:3m                                 | 1,0000   |
| 15     | S17006955 | THERMOSTAT TG400 CAP.2M 971.11348-01A(GP:0==>GP:6 06/12/01)  | 1,0000   |
| 16     | S134421   | THERMOMETRE 68,5x14,5 0-120° CAP:1,50m                       | 1,0000   |
| 16     | S138370   | THERMOMETRE MINI NOIR CAP:3m                                 | 1,0000   |
| 17     | S137158   | FACADE MODULE CB 120   | 1,0000   |
| 19     | S503756   | RELAIS TEMPORISE   | 1,0000   |
| 19A    | S138105   | ENS.RELAIS KIT CONDENSING                                    | 1,0000   |
| 19B    | S137003   | ENS.MODULE DE TELEGESTION                                    | 1,0000   |
| 20     | S137157   | ENS.MODULE DE BASE CB120                                     | 1,0000   |
| 20A    | S136811   | CABLAGE MODULE DE BASE C 120                                 | 1,0000   |
| 21     | S137160   | ENS.MODULE CE100   | 1,0000   |
| 21A    | S136412   | CABLAGE MODULE CE100 ELECTRONIQUE                            | 1,0000   |
| 22     | S17006405 | REGULATEUR RVA 63280/104 ECO 5                               | 1,0000   |
| 22A    | S136812   | CABLAGE REGULATION ECO 5                                     | 1,0000   |
| 23     | S500849   | REGULATEUR RVA 43.222/104 ECO 7                              | 1,0000   |

## EDENA 3 PROG.

| Repère | Référence | Désignation  | Quantité |
|--------|-----------|--|----------|
| 23A    | S136815   | CABLAGE REGULATION ECO 7/8                           | 1,0000   |
| 24     | S500849   | REGULATEUR RVA 43.222/104 ECO 7                      | 1,0000   |
| 25     | S17006721 | SONDE EXTERIEURE QAC 31 (GP:11 ==> GP:6 le 02.04.01) | 1,0000   |
| 25A    | S17006722 | SONDE QAZ 21 L=2M                                    | 1,0000   |
| 25B    | S17006815 | SONDE DEPART QAD21 (GP:11 ==> GP:6 le 02.04.01)      | 1,0000   |
| 26     | S505609   | SACHET DE VISSERIE TABLEAU CE                        | 1,0000   |
| 30     | S17000983 | CACHE G.M.AVA 30.200/109 V17000983                   | 1,0000   |
| 31     | S17000982 | CACHE P.M AVA 10.200/109 V17000982                   | 1,0000   |

**CHAPPEE**

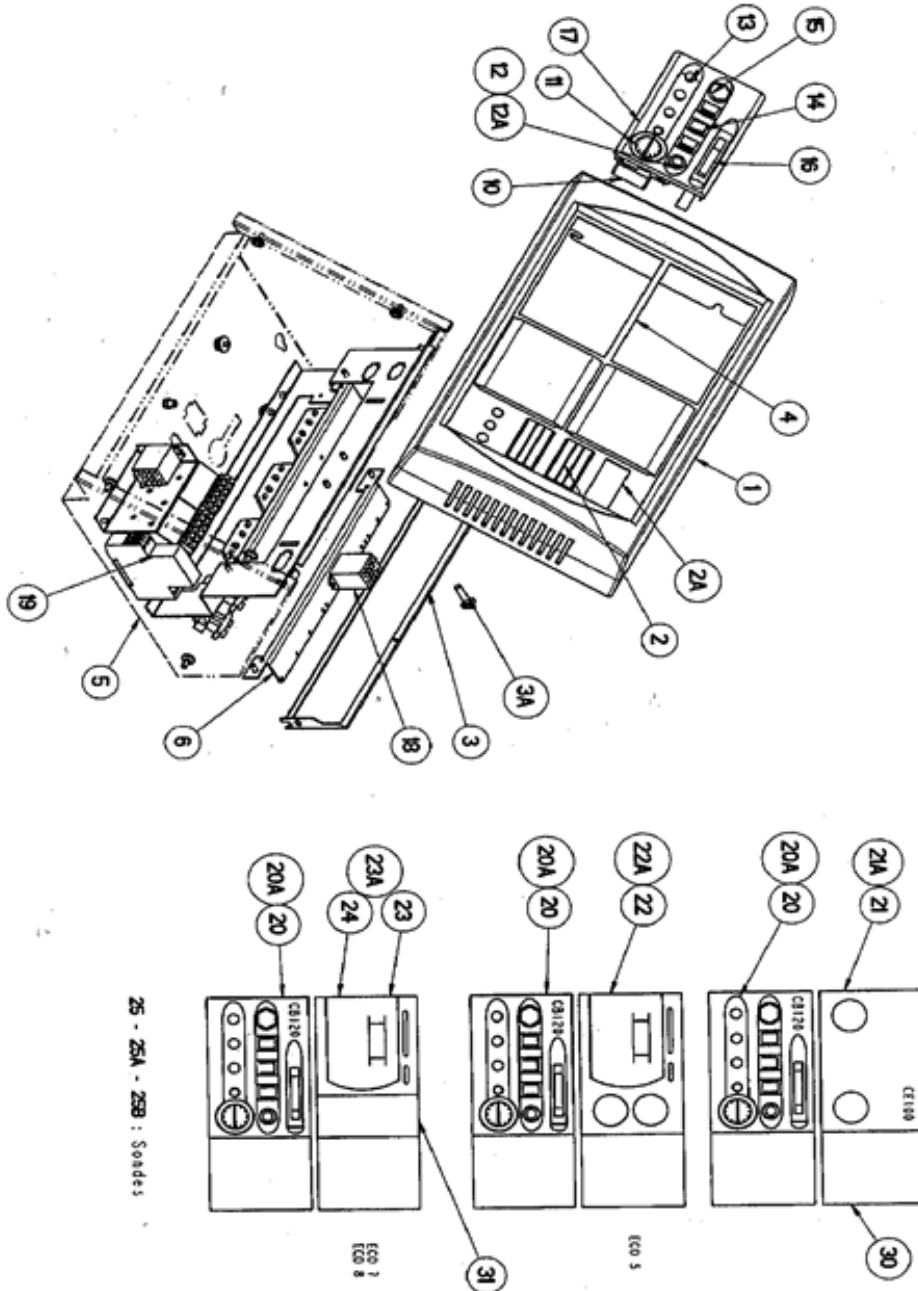
BAXI France - 157, Avenue Charles Floquet - 93158 Le Blanc Mesnil Cedex - Téléphone 33 (0)1 45 91 56 00 - Télécopie 33 (0)1 45 91 59 90

**PIECES DE RECHANGE**

N° 2473


**EDENA 3 ET 4 PROGRESS**


**ENSEMBLE BANDEAU 2004**



01/03/2004

2473-Ed3-4Band2004

|  <b>PIECES DE RECHANGE</b><br><small>BAXI France - 157, Avenue Charles Ficquet - 93158 Le Blanc Mesnil Cedex - Tél/phone 33 (0)1 45 91 56 00 - Tél/copie 33 (0)1 45 91 59 90</small> |                                 |                          |           |                    |             |             |              |
|---|---------------------------------|--------------------------|-----------|--------------------|-------------|-------------|--------------|
| N° 2422   |                                 | EDENA 3 PRIME / PROGRESS |           |                    |             |             |              |
| CORPS DE CHAUFFE  |                                 |                          |           |                    |             | 2003        |              |
| REP   | DESIGNATIONS                    | PIECES COMMUNES          |           | PIECES SPECIFIQUES |             |             |              |
|   |                                 | Qté                      | Code      | 66KW<br>Qté        | 83KW<br>Qté | 99KW<br>Qté | 116KW<br>Qté |
| 1   | ELEMENT EXTREMITE GAUCHE        | 1                        | S17800857 |                    |             |             |              |
| 2   | ELEMENT EXTREMITE DROITE        | 1                        | S17800847 |                    |             |             |              |
| 3   | ELEMENT INTERMEDIAIRE           | 1                        | S17804057 |                    |             |             |              |
| 4   | COLLECTEUR EAU 5 ELEMENTS       |                          | S501408   | 1                  |             |             |              |
| 4   | COLLECTEUR EAU 6 ELEMENTS       |                          | S501409   |                    | 1           |             |              |
| 4   | COLLECTEUR EAU 7 ELEMENTS       |                          | S501410   |                    |             | 1           |              |
| 4   | COLLECTEUR EAU 8 ELEMENTS       |                          | S501411   |                    |             |             | 1            |
| 5   | BRIDE SERRAGE RAMPE EAU 5 ELEM. |                          | S131165   | 1                  |             |             |              |
| 5   | BRIDE SERRAGE RAMPE EAU 6 ELEM. |                          | S131166   |                    | 1           |             |              |
| 5   | BRIDE SERRAGE RAMPE EAU 7 ELEM. |                          | S131167   |                    |             | 1           |              |
| 5   | BRIDE SERRAGE RAMPE EAU 8 ELEM. |                          | S131168   |                    |             |             | 1            |
| 6   | ALLONGE 1/2" LG 50              | 1                        | S15922705 |                    |             |             |              |
| 7   | ROBINET DE VIDANGE 1/2"         | 1                        | S17006472 |                    |             |             |              |
| 8   | MANCHETTE EAU 1"1/4             |                          | S17004722 | 1                  |             |             |              |
| 8   | MANCHETTE EAU 1"1/2             |                          | S17004723 |                    | 1           | 1           | 1            |
| 9   | COUDE 1"1/4                     |                          | S15923012 | 1                  |             |             |              |
| 9   | COUDE 1"1/2                     |                          | SN9125780 |                    | 1           | 1           | 1            |
| 10  | FACADE INTERNE 5 ELEM.          |                          | S131318   | 1                  |             |             |              |
| 10  | FACADE INTERNE 6 ELEM.          |                          | S131317   |                    | 1           |             |              |
| 10  | FACADE INTERNE 7 ELEM.          |                          | S131316   |                    |             | 1           |              |
| 10  | FACADE INTERNE 8 ELEM.          |                          | S131326   |                    |             |             | 1            |
| 11  | TOLE ARRIERE 5 ELEMENTS         |                          | S131322   | 1                  |             |             |              |
| 11  | TOLE ARRIERE 6 ELEMENTS         |                          | S131321   |                    | 1           |             |              |
| 11  | TOLE ARRIERE 7 ELEMENTS         |                          | S131320   |                    |             | 1           |              |
| 11  | TOLE ARRIERE 8 ELEMENTS         |                          | S131325   |                    |             |             | 1            |
| 12  | DOIGT DE GANT D=18 LG 120       | 1                        | S17001781 |                    |             |             |              |
| 12A   | RESSORT CLIP CAPILLAIRE         | 1                        | S17006459 |                    |             |             |              |
| 12A   | TUBE 6x4 LG-50                  | 1                        | S17077719 |                    |             |             |              |
| 13  | PATTE FIXATION TUBE GAZ         | 1                        | S132735   |                    |             |             |              |
| 13A   | COLLIER POUR TUBE 1"1/4         | 1                        | S132814   |                    |             |             |              |

|  <b>PIECES DE RECHANGE</b> |  | <small>BAXI France - 157, Avenue Charles Floquet - 93158 Le Blanc Mesnil Cedex - Téléphone 33 (0)1 45 91 56 00 - Télécopie 33 (0)1 45 91 59 00</small> |           |                    |             |             |              |
|---|--|--|-----------|--------------------|-------------|-------------|--------------|
| N° 2422   |  | EDENA 3 PRIME / PROGRESS   |           |                    |             |             |              |
| CORPS DE CHAUFFE  |  |  |           |                    |             | 2003        |              |
| REP   | DESIGNATIONS                           | PIECES COMMUNES  |           | PIECES SPECIFIQUES |             |             |              |
|   |  | Qté  | Code      | 66KW<br>Qté        | 83KW<br>Qté | 99KW<br>Qté | 116KW<br>Qté |
| 14  | CALORIFUGE ARRIERE 5 ELEMENTS          |  | S131809   | 1                  |             |             |              |
| 14  | CALORIFUGE ARRIERE 6 ELEMENTS          |  | S131808   |                    | 1           |             |              |
| 14  | CALORIFUGE ARRIERE 6 ELEMENTS          |  | S131807   |                    |             | 1           |              |
| 14  | CALORIFUGE ARRIERE 8 ELEMENTS          |  | S131806   |                    |             |             | 1            |
| 15  | AXE FILETE M10x370                     |  | SN9170980 | 1                  |             |             |              |
| 15  | AXE FILETE M10x450                     |  | SN9170990 |                    | 1           |             |              |
| 15  | AXE FILETE M10x530                     |  | SN9171000 |                    |             | 1           |              |
| 15  | AXE FILETE M10x610                     |  | SN9171010 |                    |             |             | 1            |
| 16  | JOINT ETANCHEITE COLLECTEUR            |  | SN9195220 | 10                 | 12          | 14          | 16           |
| 17  | GOUJON M10x120                         |  | S15245372 | 20                 | 24          | 28          | 30           |
| 18  | FEUTRE CERAMIQUE 20x3 ( ROULEAU 3 M )  |  | SN9205320 |                    |             |             |              |
| 19  | CALORIFUGE DESSUS BOITE A EAU 5 ELEM.  |  | S132567   | 1                  |             |             |              |
| 19  | CALORIFUGE DESSUS BOITE A EAU 6 ELEM.  |  | S132566   |                    | 1           |             |              |
| 19  | CALORIFUGE DESSUS BOITE A EAU 7 ELEM.  |  | S132565   |                    |             | 1           |              |
| 19  | CALORIFUGE DESSUS BOITE A EAU 8 ELEM.  |  | S132564   |                    |             |             | 1            |
| 20  | CORDON ETANCHAITE D=6 ( 1,5 m/ Elém. ) |  | SN9195370 | 7.5                | 9           | 10.5        | 12           |
| 21  | CALORIFUGE OBTURATEUR                  |  | S133107   | 4                  | 5           | 6           | 7            |
| 22  | BOUCHON 1/4"                           | 1  | S15926004 |                    |             |             |              |
| 25  | ENSEMBLE SUPPORT TRANSFO ELECTRON.     | 1  | S131777   |                    |             |             |              |
| 26  | ENSEMBLE CABLAGE TRANSFO               | 1  | S132406   |                    |             |             |              |
| 27  | CABLE ALLUMAGE 1,4 MM                  | 1  | S15825230 |                    |             |             |              |
| 28  | COSSE BOUGIE ALLUMAGE                  | 1  | S500483   |                    |             |             |              |
| 29  | SACHET VISSERIE CORPS DE CHAUFFE       | 1  | S500684   |                    |             |             |              |

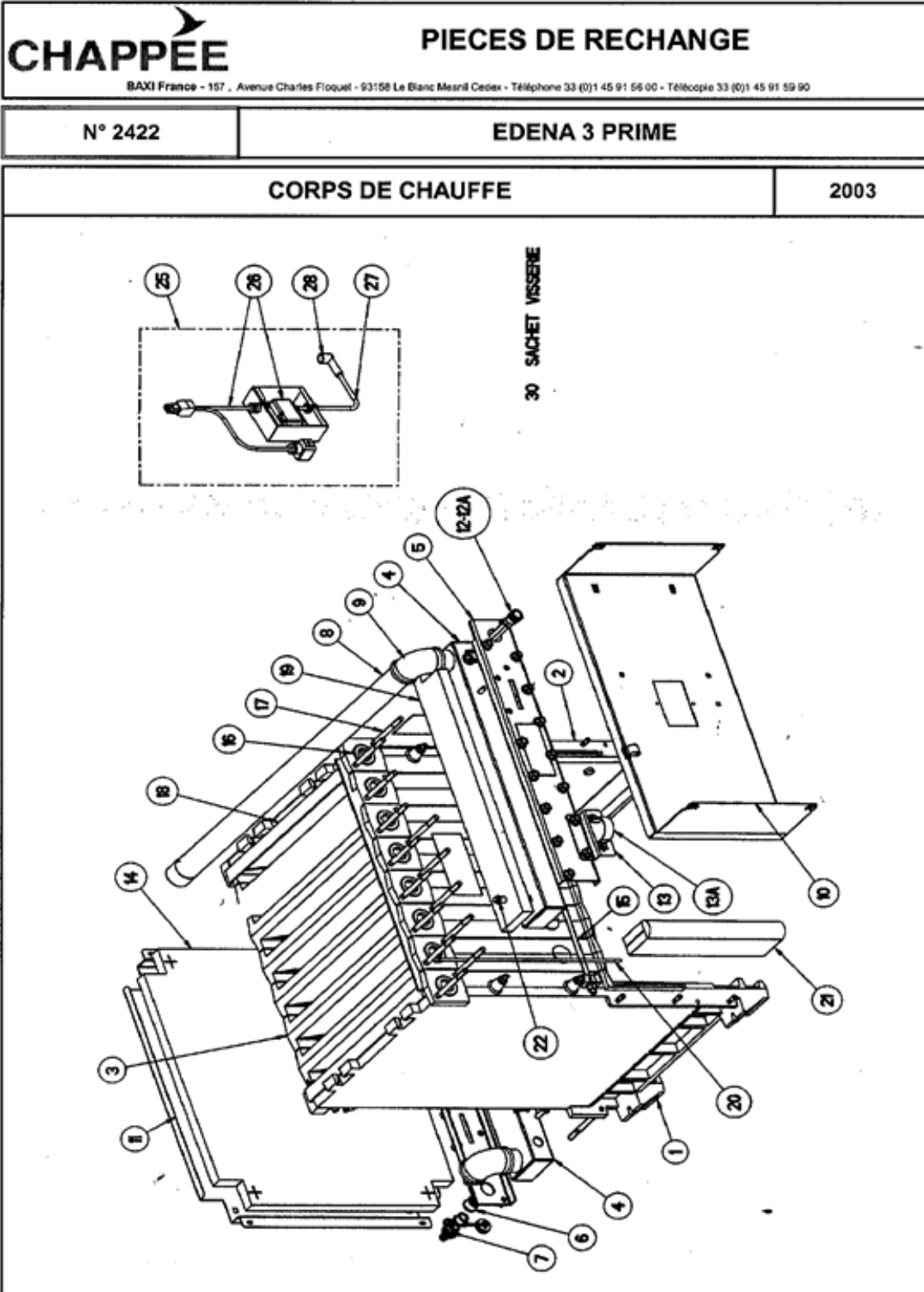
## EDENA 3 PROG.

| Repère | Référence | Désignation   | Quantité |
|--------|-----------|---|----------|
| 1      | S131325   | TOLE ARRIERE 8 ELEMENTS                                     | 1,0000   |
| 1      | S17800857 | EXTREME GAUCHE BG 50  | 1,0000   |
| 2      | S17800847 | EXTREME DROIT BG 50   | 1,0000   |
| 3      | S17804057 | INTER BG 50 BURNHAM   | 1,0000   |
| 4      | S501408   | COLLECTEUR EAU 5 ELTS MODUL.                                | 1,0000   |
| 4      | S501409   | COLLECTEUR EAU 6 ELTS MODUL.                                | 1,0000   |
| 4      | S501410   | COLLECTEUR EAU 7 ELTS MODUL.                                | 1,0000   |
| 4      | S501411   | COLLECTEUR EAU 8 ELTS MODUL.                                | 1,0000   |
| 5      | S131165   | BRIDE SERR RAMPE EAU 5 ELTS                                 | 1,0000   |
| 5      | S131166   | BRIDE SERR RAMPE EAU 6 ELTS                                 | 1,0000   |
| 5      | S131167   | BRIDE SERR RAMPE EAU 7 ELTS                                 | 1,0000   |
| 5      | S131168   | BRIDE SERR RAMPE EAU 8 ELTS                                 | 1,0000   |
| 6      | S15922705 | ALLONGE 526 1/2" L=50                                       | 1,0000   |
| 7      | S17006472 | ROBINET DE VIDANGE 1/2"                                     | 1,0000   |
| 8      | S17004722 | MANCHETTE EAU 1"1/4 BG50 MODUL                              | 1,0000   |
| 8      | S17004723 | MANCHETTE EAU 6.7.8 BG50 MODUL                              | 1,0000   |
| 9      | S15923012 | COUDE N°90 1"1/4 33x42                                      | 1,0000   |
| 9      | SN9125780 | COUDE NR 90-1 1/2" BI-BI A                                  | 1,0000   |
| 10     | S131316   | FACADE INTERNE 7 ELEMENTS                                   | 1,0000   |
| 10     | S131317   | FACADE INTERNE 6 ELEMENTS                                   | 1,0000   |
| 10     | S131318   | FACADE INTERNE 5 ELEMENTS                                   | 1,0000   |
| 10     | S131326   | FACADE INTERNE 8 ELEMENTS                                   | 1,0000   |
| 11     | S131320   | TOLE ARRIERE 7 ELEMENTS                                     | 1,0000   |
| 11     | S131321   | TOLE ARRIERE 6 ELEMENTS                                     | 1,0000   |
| 11     | S131322   | TOLE ARRIERE 5 ELEMENTS                                     | 1,0000   |
| 12     | S17001781 | DOIGT DE GANT D:18 LG:120                                   | 1,0000   |
| 12A    | S17006459 | RESSORT REF:556557 (ancien lib:RETARDATEUR THEOBALD+fourni) | 1,0000   |
| 12A    | S17077719 | TUBE 6X4 LG.50 XG1 OSPREY                                   | 1,0000   |
| 13     | S132735   | PATTE FIXATION TUBE GAZ 1"1/4                               | 1,0000   |
| 13A    | S132814   | COLLIER POUR TUBE 1"1/4                                     | 1,0000   |
| 14     | S131806   | CALORIFUGE ARRIERE 8 ELEMENTS                               | 1,0000   |
| 14     | S131807   | CALORIFUGE ARRIERE 7 ELEMENTS                               | 1,0000   |
| 14     | S131808   | CALORIFUGE ARRIERE 6 ELEMENTS                               | 1,0000   |



## EDENA 3 PROG.

| Repère | Référence | Désignation                        | Quantité |
|--------|-----------|------------------------------------|----------|
| 14     | S131809   | CALORIFUGE ARRIERE 5 ELEMENTS      | 1,0000   |
| 15     | SN9170980 | AXE FILETE M10X370 BG5005          | 1,0000   |
| 15     | SN9170990 | AXE FILETE M10X450 BG5006          | 1,0000   |
| 15     | SN9171000 | AXE FILETE M10X530 BG5007          | 1,0000   |
| 15     | SN9171010 | AXE FILETE M10X610 BG5008          | 1,0000   |
| 16     | SN9195220 | JOINT ETANCHEITE COLLECT.XG3       | 1,0000   |
| 17     | S15245372 | GOUJON M10X120                     | 1,0000   |
| 18     | SN9205320 | FEUTRE CERAMIQUE 20X3 (LE M)       | 1,0000   |
| 19     | S132564   | CALORIFUGE DES.BOITE EAU 8 ELT     | 1,0000   |
| 19     | S132565   | CALORIFUGE DES.BOITE EAU 7 ELT     | 1,0000   |
| 19     | S132566   | CALORIFUGE DES.BOITE EAU 6 ELT     | 1,0000   |
| 19     | S132567   | CALORIFUGE DES.BOITE EAU 5 ELT     | 1,0000   |
| 20     | SN9195370 | CORDON ETANCHEITE D=6 GK100        | 1,0000   |
| 21     | S133107   | CALORIFUGE OBTURATEUR              | 1,0000   |
| 22     | S15926004 | BOUCHON 1/4"                       | 1,0000   |
| 25     | S131777   | ENS.SUPPORT TRANSFORMATEUR ELECTRO | 1,0000   |
| 26     | S132406   | TRANSFORMATEUR + CABLAGE           | 1,0000   |
| 27     | S15825230 | CABLE ALL.SIHT VS 1.4MM/METRE      | 1,0000   |
| 28     | S500483   | COSSE BOUGIE ALL.D4V7 SAPCO        | 1,0000   |
| 29     | S500684   | SACHET VISSERIE CORPS DE CHAUFFE   | 1,0000   |



| REP |  | DESIGNATIONS                       | PIECES COMMUNES |           | PIECES SPECIFIQUES |       |       |        |
|-----|--|------------------------------------|-----------------|-----------|--------------------|-------|-------|--------|
|     |  |                                    | Qté             | Code      | 66 KW              | 83 KW | 99 KW | 116 KW |
| 1   |  | ENSEMBLE FACADE BRULEUR 5 ELEMENTS |                 | S137178   | 1                  |       |       |        |
| 1   |  | ENSEMBLE FACADE BRULEUR 6 ELEMENTS |                 | S137179   |                    | 1     |       |        |
| 1   |  | ENSEMBLE FACADE BRULEUR 7 ELEMENTS |                 | S137180   |                    |       | 1     |        |
| 1   |  | ENSEMBLE FACADE BRULEUR 8 ELEMENTS |                 | S137181   |                    |       |       | 1      |
| 2   |  | BRULEUR 120/70 LG416               | 1               | SN9020400 |                    |       |       |        |
| 3   |  | BANDE BRULEUR 5 ELEMENTS           |                 | S133201   | 1                  |       |       |        |
| 3   |  | BANDE BRULEUR 6 ELEMENTS           |                 | S132806   |                    | 1     |       |        |
| 3   |  | BANDE BRULEUR 7 ELEMENTS           |                 | S132805   |                    |       | 1     |        |
| 3   |  | BANDE BRULEUR 8 ELEMENTS           |                 | S133742   |                    |       |       | 1      |
| 4   |  | ISOLANT PORTE 5 ELEMENTS           |                 | S137033   | 1                  |       |       |        |
| 4   |  | ISOLANT PORTE 5 ELEMENTS           |                 | S137034   |                    | 1     |       |        |
| 4   |  | ISOLANT PORTE 5 ELEMENTS           |                 | S137035   |                    |       | 1     |        |
| 4   |  | ISOLANT PORTE 5 ELEMENTS           |                 | S137030   |                    |       |       | 1      |
| 4A  |  | CALORIFUGE BANDE SUP. 5 ELEMENTS   |                 | S135626   | 1                  |       |       |        |
| 4A  |  | CALORIFUGE BANDE SUP. 6 ELEMENTS   |                 | S135627   |                    | 1     |       |        |
| 4A  |  | CALORIFUGE BANDE SUP. 7 ELEMENTS   |                 | S135628   |                    |       | 1     |        |
| 4A  |  | CALORIFUGE BANDE SUP. 8 ELEMENTS   |                 | S135629   |                    |       |       | 1      |
| 4A  |  | CALORIFUGE LATERAL BRULEUR         | 1               | S137100   |                    |       |       |        |
| 5   |  | ENSEMB. RAMPE 5 ELEMENTS           | 1               | S17006494 | 1                  |       |       |        |
| 5   |  | ENSEMB. RAMPE 6 ELEMENTS           | 1               | S17006495 |                    | 1     |       |        |
| 5   |  | ENSEMB. RAMPE 7 ELEMENTS           | 1               | S17006496 |                    |       | 1     |        |
| 5   |  | ENSEMB. RAMPE 8 ELEMENTS           | 1               | S17006497 |                    |       |       | 1      |
| 6   |  | INJECTEUR GN D. 3,20 W             | 1               | S17003180 |                    |       |       |        |
| 6   |  | INJECTEUR GPL D. 2,15 Y            | 1               | S17003191 |                    |       |       |        |
| 7   |  | RONDELLE ALU DE 10                 | 1               | S17006504 |                    |       |       |        |
| 9   |  | RACCORD DROIT HONEYW. AVEC JOINT   | 1               | S17006302 |                    |       |       |        |
| 10  |  | ECROU G. 8x50                      | 1               | S15236109 |                    |       |       |        |
| 11  |  | VANNE VR 4601 QB 2019              | 1               | S502834   |                    |       |       |        |
| 11A |  | ENS. CABLAGE HONEY. 2 ETAGES       | 1               | S132391   |                    |       |       |        |
| 12  |  | VANNE VR 4605 CB 1009              | 1               | S500433   |                    |       |       |        |
| 12A |  | CABLAGE VANNE COMPLEMENTAIRE       | 1               | S136465   |                    |       |       |        |
| 13  |  | JOINT QUAD RING D.25               | 1               | S15630110 |                    |       |       |        |

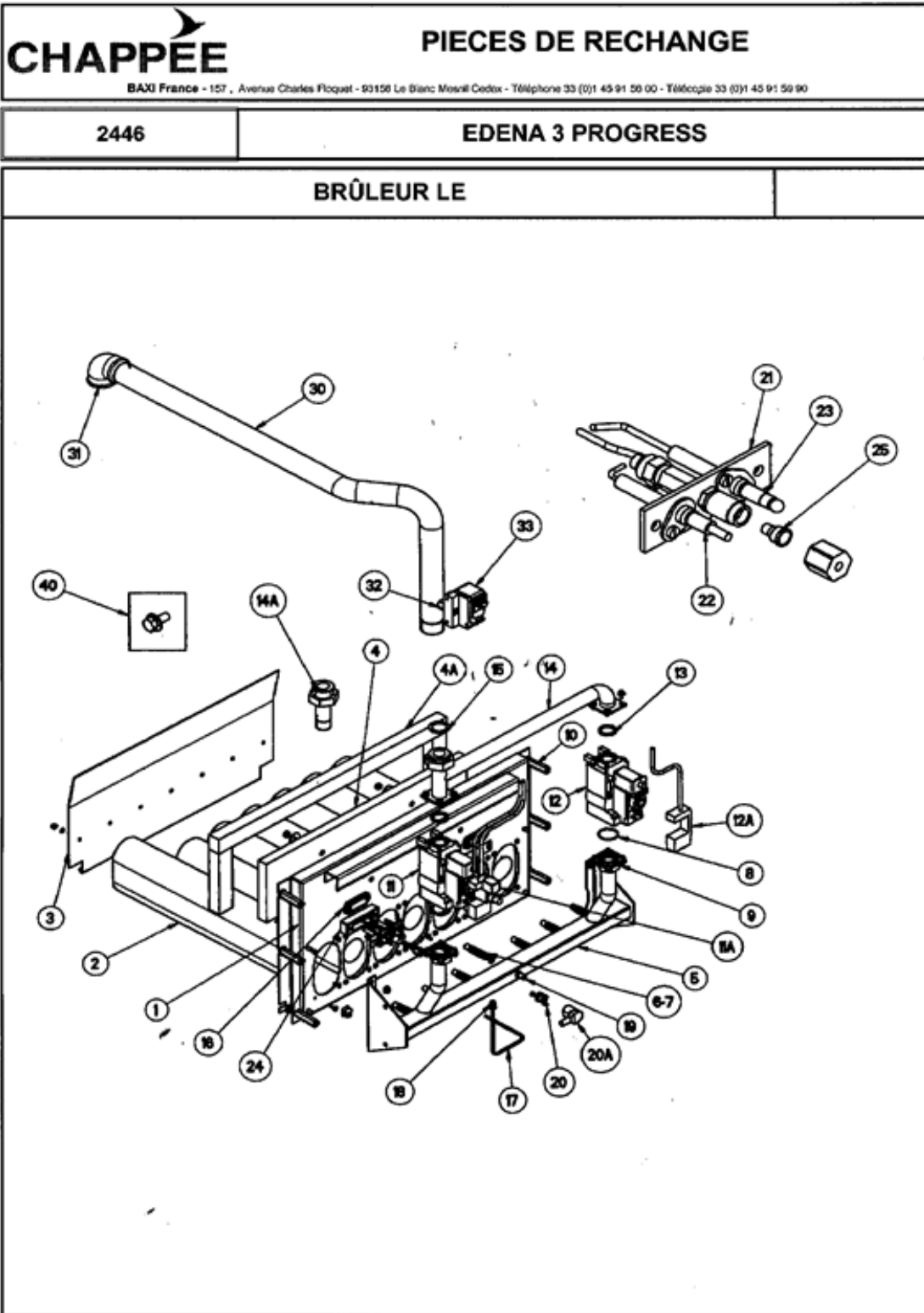
| REP |  | DESIGNATIONS                     | PIECES COMMUNES |           | PIECES SPECIFIQUES |       |       |        |
|-----|--|----------------------------------|-----------------|-----------|--------------------|-------|-------|--------|
|     |  |                                  | Qté             | Code      | 66 KW              | 83 KW | 99 KW | 116 KW |
| 14  |  | NOURRICE GAZ 2 VANNES 7 ELEMENTS |                 | S131732   |                    |       | 1     |        |
| 14  |  | NOURRICE GAZ 2 VANNES 8 ELEMENTS |                 | S131731   |                    |       |       | 1      |
| 14A |  | TUBE GAZ VANNE 5 ET 6 ELEMENTS   |                 | S133004   | 1                  | 1     |       |        |
| 15  |  | JOINT BA-U 38x27x2               | 1               | S133221   |                    |       |       |        |
| 16  |  | KJKGLAS                          | 1               | SN9022010 |                    |       |       |        |
| 17  |  | TUBE VEILLEUSE 5 ELEMENTS        |                 | S137151   | 1                  |       |       |        |
| 17  |  | TUBE VEILLEUSE 6 ELEMENTS        |                 | S137152   |                    | 1     |       |        |
| 17  |  | TUBE VEILLEUSE 7 ELEMENTS        |                 | S137153   |                    |       | 1     |        |
| 17  |  | TUBE VEILLEUSE 8 ELEMENTS        |                 | S137154   |                    |       |       | 1      |
| 18  |  | RACCORD TUBE VEILLEUSE 4MM       | 1               | S502835   |                    |       |       |        |
| 19  |  | PRISE DE PRESSION 1/8"           | 1               | S17006201 |                    |       |       |        |
| 20  |  | KLISON 100 +/- 4°C               | 1               | S502259   |                    |       |       |        |
| 20A |  | CABLAGE TSB                      | 1               | S136818   |                    |       |       |        |
| 21  |  | VEILLEUSE INTERMITTENTE          | 1               | S137131   |                    |       |       |        |
| 22  |  | ELECTRODE ALLUMAGE               | 1               | S134257   |                    |       |       |        |
| 23  |  | ELECTRODE IONISATION             | 1               | S133965   |                    |       |       |        |
| 24  |  | ENTRETOISE VEILLEUSE             | 1               | S17002110 |                    |       |       |        |
| 25  |  | INJECTEUR VEILLEUSE GN 0,5       | 1               | SN5590360 |                    |       |       |        |
| 25  |  | INJECTEUR VEILLEUSE GPL 0,25     | 1               | S500249   |                    |       |       |        |
| 30  |  | TUBE ALIMENTATION GAZ 1"1/4      | 1               | S132686   |                    |       |       |        |
| 31  |  | COUDE 1"1/4                      | 1               | S15923012 |                    |       |       |        |
| 32  |  | COLONNE POUR PRESSOSTAT GAZ      | 1               | S133230   |                    |       |       |        |
| 33  |  | PRESSOSTAT GW 50 A 5             | 1               | S17006025 |                    |       |       |        |
| 40  |  | SACHET VISSERIE                  | 1               | S503294   |                    |       |       |        |

## EDENA 3 PROG.

| Repère | Référence | Désignation  | Quantité |
|--------|-----------|--|----------|
| 1      | S137178   | ENS.FACADE BRULEUR 5 ELEMENTS                                | 1,0000   |
| 1      | S137179   | ENS.FACADE BRULEUR 6 ELEMENTS                                | 1,0000   |
| 1      | S137180   | ENS.FACADE BRULEUR 7 ELEMENTS                                | 1,0000   |
| 1      | S137181   | ENS.FACADE BRULEUR 8 ELEMENTS                                | 1,0000   |
| 2      | SN9020400 | BRULEUR 120/70 LG=416  | 1,0000   |
| 3      | S132805   | BANDE BRULEUR 7 ELTS   | 1,0000   |
| 3      | S132806   | BANDE BRULEUR 6 ELTS   | 1,0000   |
| 3      | S133201   | BANDE BRULEUR 5 ELTS P.R                                     | 1,0000   |
| 3      | S133742   | BANDE BRULEUR 8 ELTS P.R                                     | 1,0000   |
| 4      | S137030   | ISOLANT DE PORTE 8 ELEMENTS                                  | 1,0000   |
| 4      | S137033   | ISOLANT DE PORTE 5 ELEMENTS                                  | 1,0000   |
| 4      | S137034   | ISOLANT DE PORTE 6 ELEMENTS                                  | 1,0000   |
| 4      | S137035   | ISOLANT DE PORTE 7 ELEMENTS                                  | 1,0000   |
| 4A     | S135626   | CALORIFUGE BANDE SUP.5 ELEMENTS                              | 1,0000   |
| 4A     | S135627   | CALORIFUGE BANDE SUP.6 ELEMENTS                              | 1,0000   |
| 4A     | S135628   | CALORIFUGE BANDE SUP.7 ELEMENTS                              | 1,0000   |
| 4A     | S135629   | CALORIFUGE BANDE SUP.8 ELEMENTS                              | 1,0000   |
| 4A     | S137100   | CALORIFUGE LATERAL BRULEUR                                   | 1,0000   |
| 5      | S17006494 | RAMPE 5 ELTS BG50 MODUL. (anc.lib:ROBINET TH R/820 46968 TG) | 1,0000   |
| 5      | S17006495 | ENS.RAMPE 6 ELTS BG50 MODULAIRE                              | 1,0000   |
| 5      | S17006496 | RAMPE 7 ELTS BG50 MODULAIR (anc.lib:ROBINET 821 P VAL P741)  | 1,0000   |
| 5      | S17006497 | ENS.RAMPE 8 ELTS BG50 MODULAIRE                              | 1,0000   |
| 6      | S17003180 | INJECTEUR GN 3,20W (G20)                                     | 1,0000   |
| 6      | S17003191 | INJECTEUR GPL 2,15Y (anc.lib:INJECT.GN/ACIER/30 05/09/03)    | 1,0000   |
| 7      | S17006504 | RONDELLE ALU.DE 10 (anc.lib:RONDELLE INJ.MANIL.05/09/03)     | 1,0000   |
| 9      | S17006302 | RACCORD DROIT 3/4 HONEYWELL                                  | 1,0000   |
| 10     | S15236109 | ECROU 8x50 FIXAT.PLAQU.BRULEUR                               | 1,0000   |
| 11     | S502834   | VANNE VR4601 QB 2019   | 1,0000   |
| 11A    | S132391   | ENS.CABLAGE HONEY.2 ETAGES                                   | 1,0000   |
| 12     | S500433   | VANNE HONEY.VR 4605CB 1009                                   | 1,0000   |
| 12A    | S136465   | CABLAGE VANNE COMPLEMENTAIRE 7/8 ELEMENTS                    | 1,0000   |

## EDENA 3 PROG.

| Repère | Référence | Désignation                        | Quantité |
|--------|-----------|------------------------------------|----------|
| 13     | S15630110 | JOINT                              | 1,0000   |
| 14     | S131731   | NOURRICE GAZ 2 VANNES 8 ELTS       | 1,0000   |
| 14     | S131732   | NOURRICE GAZ 2 VANNES 7 ELTS       | 1,0000   |
| 14A    | S133004   | TUBE GAZ VANNE 4-5-6 ELTS          | 1,0000   |
| 15     | S133221   | JOINT BA-U 38x27x2                 | 1,0000   |
| 16     | SN9022010 | VOYANT KIJKLAS 147.125.001         | 1,0000   |
| 17     | S137151   | TUBE VEILLEUSE 5 ELEMENTS          | 1,0000   |
| 17     | S137152   | TUBE VEILLEUSE 6 ELEMENTS          | 1,0000   |
| 17     | S137153   | TUBE VEILLEUSE 7 ELEMENTS          | 1,0000   |
| 17     | S137154   | TUBE VEILLEUSE 8 ELEMENTS          | 1,0000   |
| 18     | S502835   | RACCORD TUBE VEILLEUSE 4mm         | 1,0000   |
| 19     | S17006201 | OLIVE PRISE DE PRESSION            | 1,0000   |
| 20     | S502259   | KLIXON 100 +/- 4°C                 | 1,0000   |
| 20A    | S136818   | CABLAGE TSB                        | 1,0000   |
| 21     | S137131   | VEILLEUSE INTERMITTENTE            | 1,0000   |
| 22     | S134257   | ELECTRODE ALLUMAGE (BG50 PRESTIGE) | 1,0000   |
| 23     | S133965   | ELECTRODE IONISAT.BG50 PREST.      | 1,0000   |
| 24     | S17002110 | ENTRETOISE VEIL.BG50 PRESTIGE      | 1,0000   |
| 25     | S500249   | INJECTEUR VEILLEUSE 0,25 (GPL)     | 1,0000   |
| 25     | SN5590360 | INJECTEUR VEILLEUSE GN 0,5         | 1,0000   |
| 30     | S132686   | TUBE ALIMENTATION GAZ 1"1/4        | 1,0000   |
| 31     | S15923012 | COUDE N°90 1"1/4 33x42             | 1,0000   |
| 32     | S133230   | COLONNE POUR PRESSOSTAT GAZ        | 1,0000   |
| 33     | S17006025 | PRESSOSTAT GW50 A5                 | 1,0000   |
| 40     | S503294   | SACHET VISSERIE                    | 1,0000   |



| REP |  | DESIGNATIONS                    | PIECES COMMUNES |           | PIECES SPECIFIQUES |     |     |
|-----|--|---------------------------------|-----------------|-----------|--------------------|-----|-----|
|     |  |                                 | Qté             | Code      | Qté                | Qté | Qté |
| 1   |  | BOITE A FUMEEES 5 ELEM.         |                 | SN7462140 | 1                  |     |     |
| 1   |  | BOITE A FUMEEES 6 ELEM.         |                 | SN7462150 |                    | 1   |     |
| 1   |  | BOITE A FUMEEES 7 ELEM.         |                 | SN7462160 |                    |     | 1   |
| 1   |  | BOITE A FUMEEES 8 ELEM.         |                 | SN7462170 |                    |     | 1   |
| 2   |  | TRAPPE BOITE A FUMEEES 5 ELEM.  |                 | SN9078944 | 1                  |     |     |
| 2   |  | TRAPPE BOITE A FUMEEES 6 ELEM.  |                 | SN9078954 |                    | 1   |     |
| 2   |  | TRAPPE BOITE A FUMEEES 7 ELEM.  |                 | SN9078964 |                    |     | 1   |
| 2   |  | TRAPPE BOITE A FUMEEES 8 ELEM.  |                 | SN9078974 |                    |     | 1   |
| 3   |  | SACHET VISSERIE B A F           | 1               | S503295   |                    |     |     |
| 4   |  | CALORIFUGE DESSUS 5 ELEM.       |                 | S17070903 | 1                  |     |     |
| 4   |  | CALORIFUGE DESSUS 6 ELEM.       |                 | S17070904 |                    | 1   |     |
| 4   |  | CALORIFUGE DESSUS 7 ELEM.       |                 | S17070905 |                    |     | 1   |
| 4   |  | CALORIFUGE DESSUS 8 ELEM.       |                 | S17070906 |                    |     | 1   |
| 5   |  | THERMOSTAT FUMEEES G.O          | 1               | S500540   |                    |     |     |
| 5A  |  | RALLONGE POUR TTB               | 1               | S136611   |                    |     |     |
| 6   |  | SUPPORT TH FUMEEES              | 1               | S136917   |                    |     |     |
| 7   |  | FEUTRE CERAMIQUE 20x3 ( 4,5 M ) | 1               | SN9205320 |                    |     |     |
| 999 |  | ECROU A PINCE                   |                 | SN9183130 |                    |     |     |
| 999 |  | PLAQUE TAQUET 30x40             | 4               | SN9180060 |                    |     |     |
| 999 |  | VIS VIOLON                      |                 | SN9170180 |                    |     |     |



## EDENA 3 PROG.

| Repère | Référence | Désignation                             | Quantité |
|--------|-----------|---|----------|
| 1      | SN7462140 | ENS.BAF ASS.BG5005 T/E                  | 1,0000   |
| 1      | SN7462150 | B.A.F ASS.BG 5006 T/E                   | 1,0000   |
| 1      | SN7462160 | ENS B.A.F ASS.BG5007 T/E                | 1,0000   |
| 1      | SN7462170 | ENS BAPF ASS. BG5008 T/E                | 1,0000   |
| 2      | SN9078944 | TRAPPE BAF BG5005 RODIAM.               | 1,0000   |
| 2      | SN9078954 | TRAPPE BAF BG5006 RODIAM.               | 1,0000   |
| 2      | SN9078964 | TRAPPE B.A.F BG5007 RODIAM.             | 1,0000   |
| 2      | SN9078974 | TRAPPE BAF BG5008 RODIAM.               | 1,0000   |
| 3      | S503295   | SACHET VISSERIE B.A.F                   | 1,0000   |
| 4      | S17070903 | ISOLANT DESSUS B.A.F 5 ELEMENTS         | 1,0000   |
| 4      | S17070904 | ISOLANT DESSUS B.A.F 6 ELEMENTS         | 1,0000   |
| 4      | S17070905 | ISOLANT DESSUS B.A.F 7 ELEMENTS         | 1,0000   |
| 4      | S17070906 | ISOLANT DESSUS B.A.F 8 ELEMENTS         | 1,0000   |
| 5      | S500540   | THERMOSTAT FUMEE                        | 1,0000   |
| 5A     | S136611   | RALLONGE POUR THERMOSTAT DEBORD.FUMEEES | 1,0000   |
| 6      | S136917   | SUPPORT THERMOSTAT FUMEEES              | 1,0000   |
| 7      | SN9205320 | FEUTRE CERAMIQUE 20X3 (LE M)            | 1,0000   |

**CHAPPEE**  
BAXI France - 157, Avenue Charles Floquet - 93158 Le Blanc Mesnil Cedex - Téléphone 33 (0)1 45 91 56 00 - Télécopie 33 (0)1 45 91 59 90

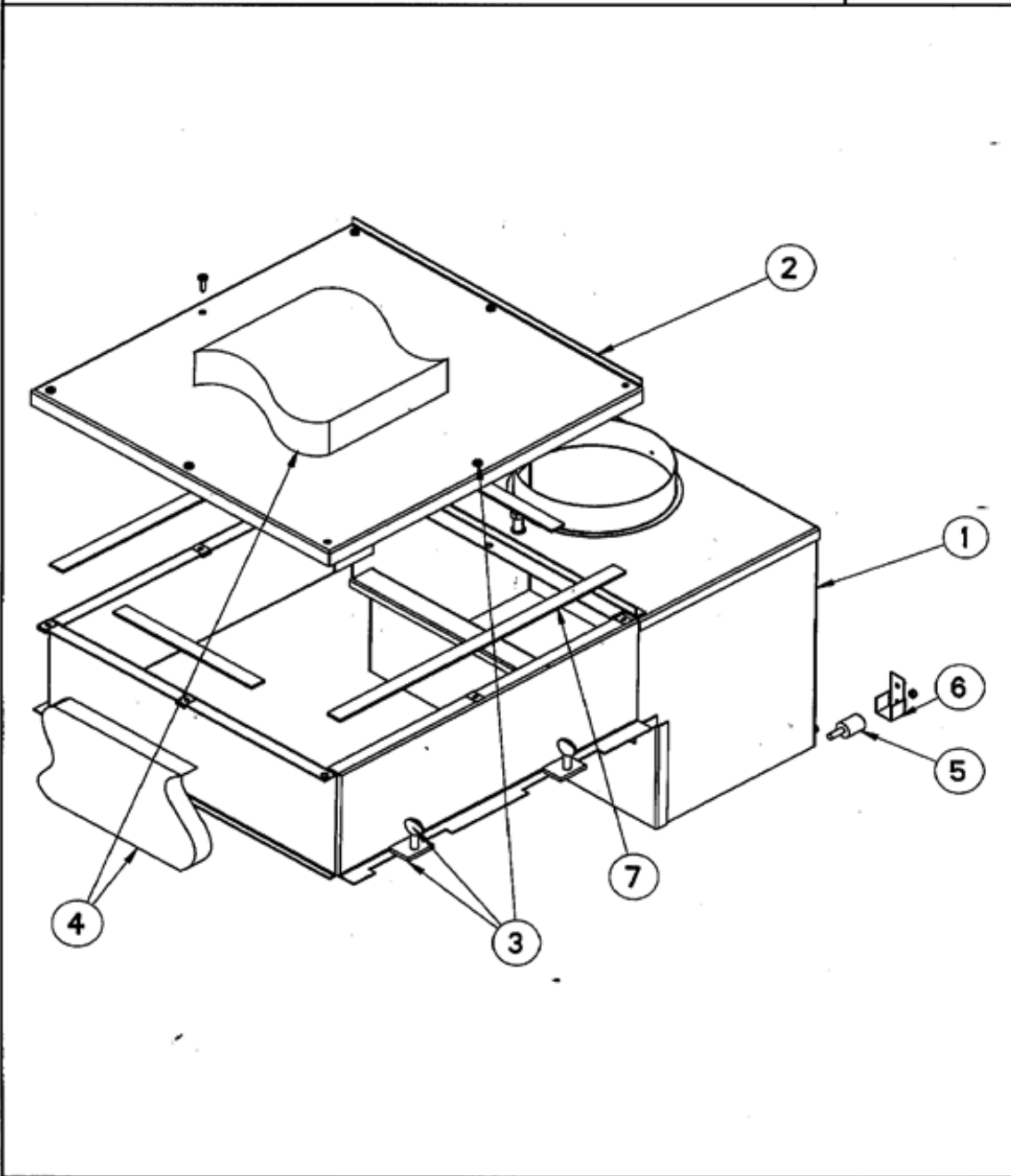
**PIECES DE RECHANGE**

N° 2423

EDENA 3 PRIME / PROGRESS

BOITE A FUMES

2003



06/05/2003

Ed3PrimeBAF