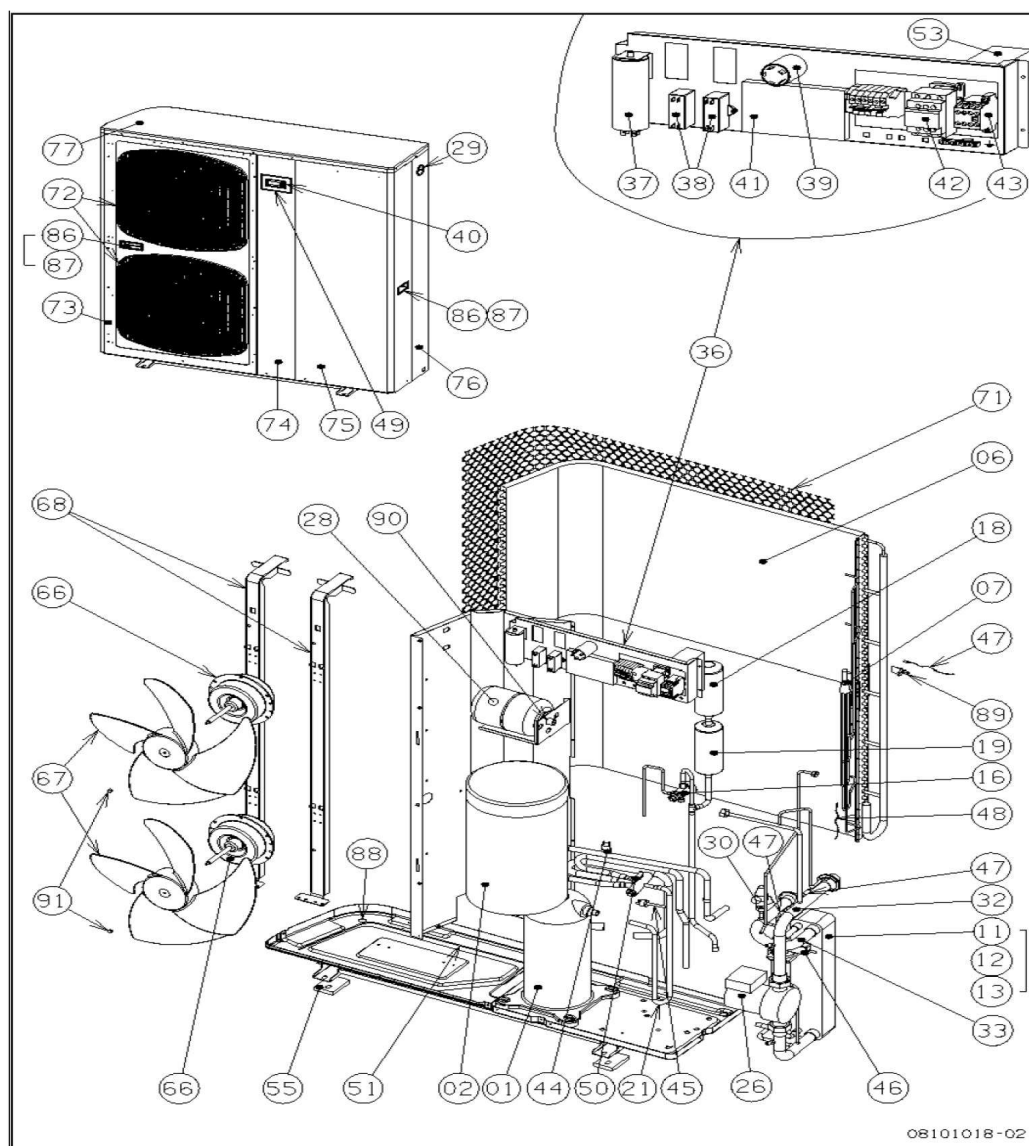








EXOLIA RO 11 BT

JANVIER 2007

C13BT0113



08101018-02

| Réf. | Référenc | Description | Qté | Tarif | Substitut | Tarif Sub. | Remarques |
|------|----------|-----------------------------------|-----|-------------------|-----------|------------|---|
| 1 | SPAC6760 | COMPRESSEUR ZP41K3E TDF522 : | 1 | | | | |
| 1 | SPAC6760 | COMPRESSEUR ZP41K3E TDF522 : | 1 | | | | |
| 6 | SPAC6760 | ECHANGEUR ASSEMBLE | 1 | | | | |
| 7 | SPAC6760 | ENS.TUBES DISTRIBUTEUR PHR | 1 | | | | |
| 11 | SPAC6760 | ENS.ECHANGEUR EAU 11KW | 1 | | | | |
| 12 | SPAC6760 | ECHANGEUR AV.ISOLATION WP24: | 1 | | | | |
| 13 | SPAC6760 | ECHANGEUR A EAU WP24X24 P.5/8 | 1 | | | | |
| 16 | SPAC6760 | DETENDEUR BBIZE2 ZGA 3/8 1/2 11 | 1 | | | | |
| 18 | SPAC6760 | BOUEILLE LIQUIDE 0,62L | 1 | | | | |
| 19 | SPAC6760 | BOUEILLE DE LIQUIDE D93X229 1 | 1 | 286,00 € | | | |
| 21 | SPAC6760 | ENSEMBLE VANNE | 1 | | | | |
| 21 | SPAC6760 | ENS.VANNE 4V CHILLER 11KW | 1 | | | | |
| 26 | SPAC6706 | CIRCULATEUR UPS 25/125 6H 230V | 1 | | | | |
| 27 | SPAC6760 | KIT RAC.TUBES 1"1/2 1 CIRC. | 1 | | | | |
| 28 | SPAC6760 | VASE D'EXPANSION 2L | 1 | | | | |
| 29 | SPAC6760 | MANOMETRE 6B D50 + ETRIER | 1 | | | | |
| 30 | SPAC6760 | SOUPAPE 3B 1/2 FF | 1 | | | | |
| 31 | SPAC6760 | FILTRE TAMIS 1" RO11/12/15/16/17/ | 1 | | | | |
| 38 | SPAC6380 | CONDENSATEUR 6MF C24.5 ARCO | 1 | | | | |
| 39 | SPAC6706 | FILTRE REGULATEUR ECH210BDT | 1 | | | | |
| 40 | SPAC6706 | REGULATEUR HP ECH210BDT PHF | 1 | | | | |
| 41 | SPAC6706 | CARTE CONT.CHILLER | 1 | | | | |
| 42 | SPAC6706 | CONTACTEUR 12A | 1 | | | | |
| 43 | SPAC6706 | CONTACTEUR 8A(20A AC1)230VAC | 1 | | | | |
| 44 | SPAC6706 | PRESSOSTAT BP 0,5 - 2 BARS | 1 | | | | |
| 45 | SPAC6706 | PRESSOSTAT HP42/33BAR 061F83 | 1 | | | | |
| 46 | SPAC6706 | PRESSOSTAT DIF.EAU | 1 | | | | |
| 47 | SPAC6706 | SONDE TEMPERATURE D'EAU | 1 | | | | |
| 47 | SPAC6706 | SONDE TEMPERATURE D'EAU | 1 | | | | |
| 47 | SPAC6706 | SONDE TEMPERATURE D'EAU | 1 | | | | |
| 48 | SPAC6706 | SONDE TEMPERATURE AIR BAT. | 1 | | | | |
| 49 | SPAC6760 | CACHE ETANCHEITE REGUL. | 1 | | | | |
| 50 | SPAC6706 | BOBINE ELECT.VANNE 4V LDK241 | 1 | | | | |
| 51 | SPAC6706 | RESISTANCE TRACAGE DE CUVE | 1 | Nous consulter... | | |  |
| 55 | SPAC6760 | PLOT ANTI-VIBRATILE | 1 | | | | |
| 66 | SPAC6706 | MOTEUR VENTIL. Y7S623B54 | 1 | | | | |
| 66 | SPAC6706 | MOTEUR VENTIL. Y7S623B54 | 1 | | | | |
| 67 | SPAC6380 | HELICE 4 P | 1 | | | | |
| 68 | SPAC6380 | SUPPORT VENTILATEUR | 1 | | | | |
| 71 | SPAC6760 | GRI PROTECTION PLAST 1130X118 | 1 | | | | |
| 72 | SPAC6760 | GRILLE | 1 | | | | |
| 73 | SPAC6760 | PANNEAU AVANT DOUBLE SANS G | 1 | | | |  |
| 74 | SPAC6760 | PANNEAU FRONT.SUP.REGUL.11/1 | 1 | | | | |
| 75 | SPAC6760 | PANNEAU AVANT DROIT | 1 | | | | |
| 76 | SPAC6760 | PANNEAU COTE DROIT | 1 | | | |  |
| 77 | SPAC6760 | PANNEAU SUPERIEUR | 1 | Nous consulter... | | |  |
| 86 | SPAC6230 | POIGNEE | 1 | | | | |
| 86 | SPAC6230 | POIGNEE | 1 | | | | |
| 87 | SPAC6230 | JOINT DE POIGNEE X3 | 1 | | | | |

| | | | |
|----|----------|-----------------------------|---|
| 87 | SPAC6230 | JOINT DE POIGNEE X3 | 1 |
| 88 | SPAC6230 | COUDE PLAS.CANELE CONDENSA | 1 |
| 89 | SPAC6231 | SUPPORT SONDE BATTERIE | 1 |
| 90 | SPAC6760 | RACCORD VASE EXPANSION 1/2" | 1 |
| 91 | SPAC6380 | ECROU | 1 |