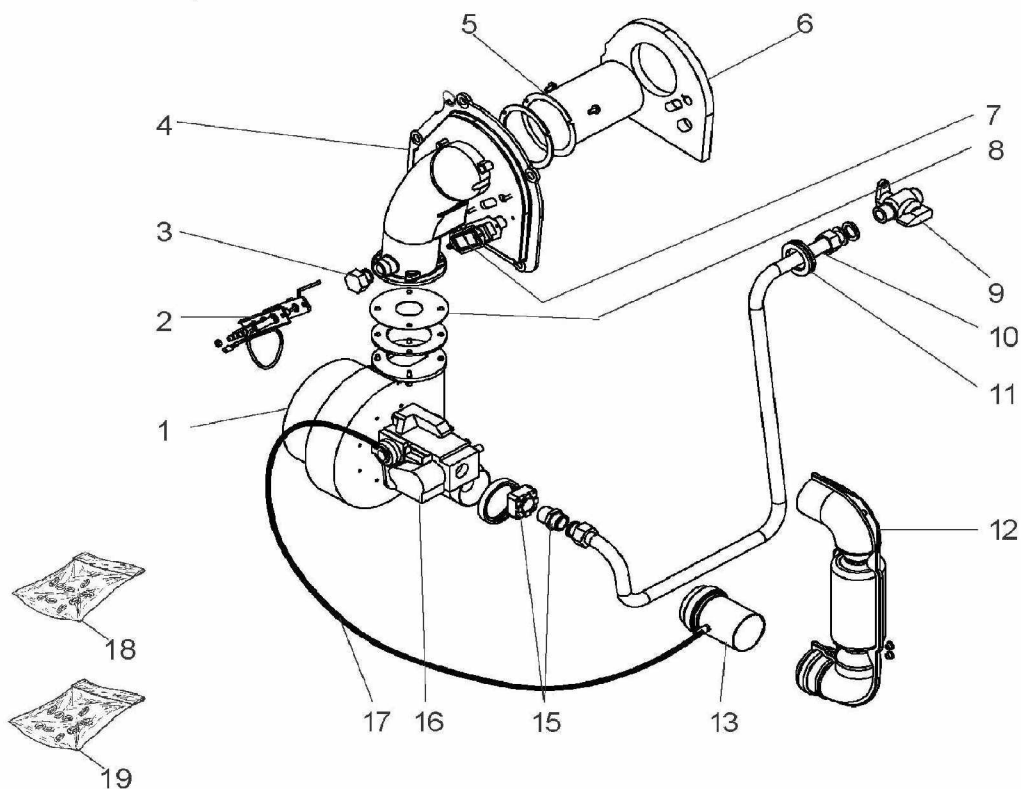




MOOREA 1 HTE

JUSQUE 2011

| | | |
|--|---------------------------------------|--|
| | BRULEUR 35KW GBVI GBI GCVI GCI | |
|--|---------------------------------------|--|



1

moorea 1 hte 2011 35 gbvi gbi gcv gci bruleur_Vue.xls

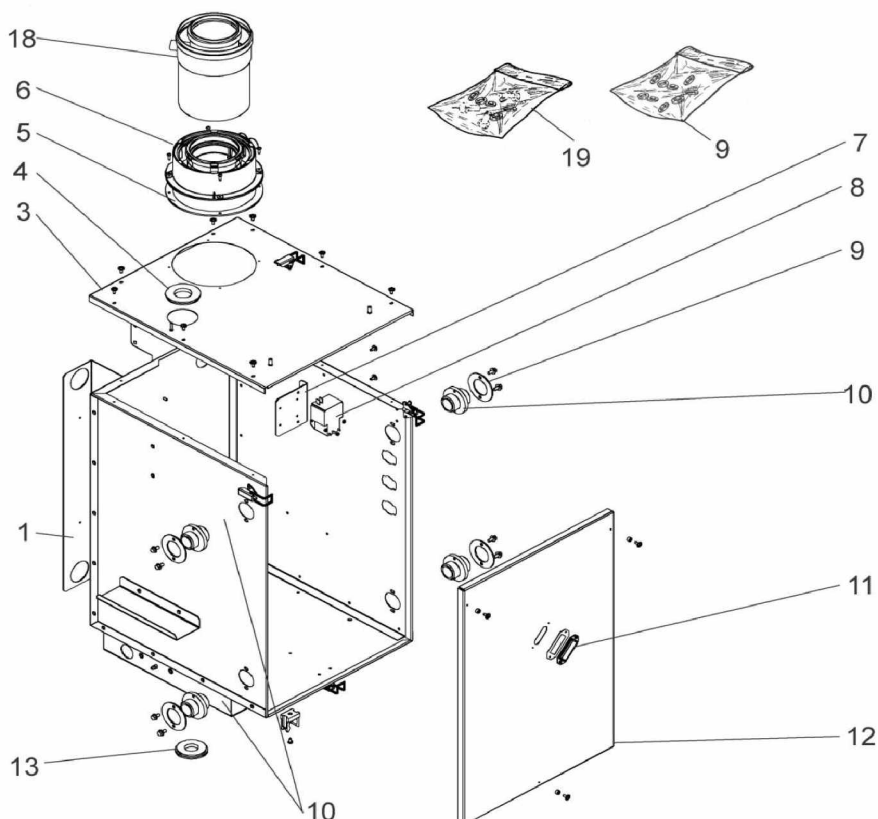
| Réf. | Référenc | Description | Qté | Tarif | Substitut | Tarif Sub. | Remarques |
|------|----------|---------------------------------|-----|-------------------|-----------|------------|---|
| 0 | S5808951 | BRULEUR SUM GAZ HTE 35KW | 1 | 996,00 € | | |  |
| 1 | S5820991 | VENTILATEUR RG128/1300-3612 | 1 | 332,00 € | | | |
| 2 | S5852845 | S/E ELECTRODE HTE GAZ - 391027 | 1 | 57,80 € | | | |
| 3 | S5837131 | BOUCHON LAITON FEM 1/2" MOD.0 | 1 | 37,00 € | | | |
| 4 | S5825480 | PLAQUE BRULEUR HTE GAZ USINE | 1 | 156,00 € | | | |
| 5 | S5816981 | BRULEUR Å70 L=200,6 127.021.001 | 1 | 130,00 € | | | |
| 6 | S5839015 | JOINT PLAQUE BRULEUR - 391087 | 1 | 25,80 € | | | |
| 7 | S5808499 | OEILLARD+SUPPORT+JOINTS | 1 | 309,00 € | | | |
| 8 | S5814988 | DIAPHRAGME VENTILATEUR Å 29 | 1 | 31,40 € | | | |
| 9 | S135193 | ROBINET SECURITE GAZ MM 1/2" | 1 | 52,50 € | | | |
| 10 | S139612 | TUBE ALIMENTATION GAZ CORPS | 1 | Nous consulter... | | |  |
| 11 | S139839 | PASSE CLOISON SES DG29/10 025 | 1 | 27,30 € | | | |
| 12 | S139519 | TUBE AIR | 1 | 45,10 € | | | |
| 13 | S5814988 | MANCHON D'AIR ASSEMBLE | 1 | 72,00 € | | | |
| 15 | S5808499 | SORTIE DROITE 1/2" 45900400102 | 1 | 64,60 € | | | |
| 16 | S5808499 | VANNE+VENTURI 30 VK4115F1187 | 1 | 240,00 € | | | |
| 17 | S5808499 | TUBE SILICONE D=6X10 | 1 | 27,80 € | | | |
| 18 | S5808499 | POCHETTE VISSERIE SUM GAZ HT | 1 | 73,90 € | | | |
| 19 | S5808499 | POCHETTE JOINTS SUM GAZ HTE | 1 | 88,90 € | | | |



MOOREA 1 HTE

JUSQUE 2011

CAISSON 35 KW GBVI GBI GCVI GCI





MOOREA 1 HTE

MOOREA 1 HTE 35 kW GBi/GBVi

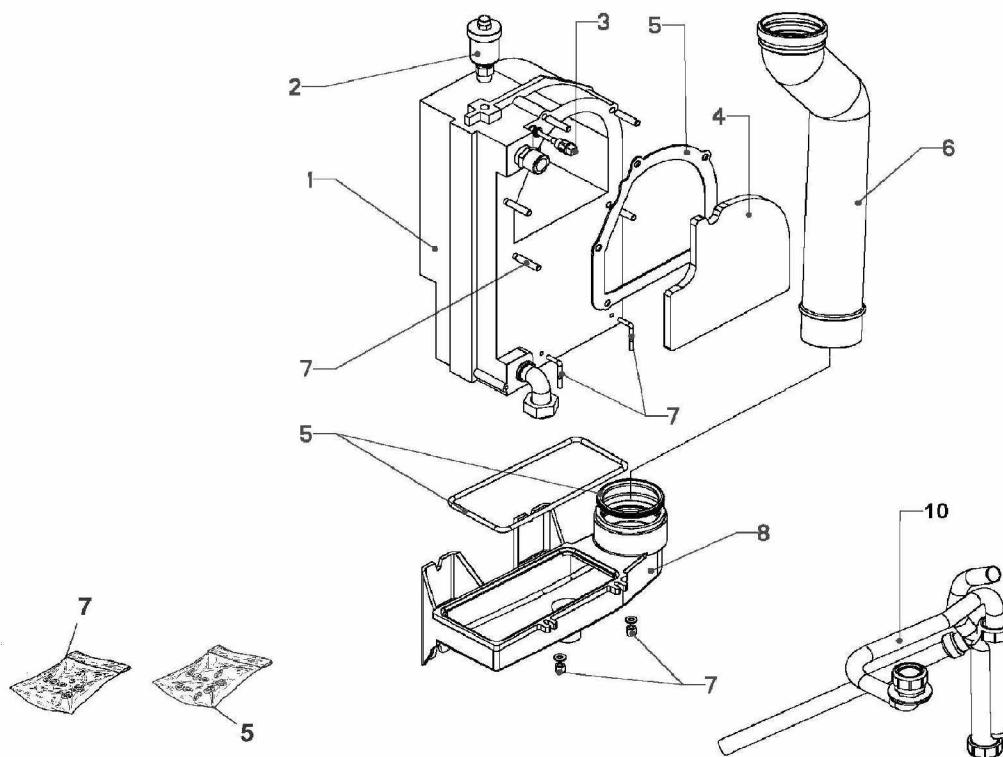
| Réf. | Référenc | Description | Qté | Tarif | Substitut | Tarif Sub. | Remarques |
|------|----------|-------------------------------|-----|-------------------|-----------|------------|-----------|
| 1 | S139151 | ENSEMBLE CAISSON PR | 1 | Nous consulter... | | | ⊘ |
| 3 | S139885 | DESSUS 22KW HTE | 1 | Nous consulter... | | | ⊘ |
| 4 | S139835 | PASSE CLOISON | 1 | 3,50 € | | | |
| 5 | S139240 | JOINT CONCENTRIQUE | 1 | 37,00 € | | | |
| 6 | S139608 | SORTIE FUMEE CPLT 80/125 | 1 | Nous consulter... | | | ⊘ |
| 7 | S139242 | PATTE DE FIXATION CORPS | 1 | 48,90 € | | | |
| 8 | S139638 | TRANSFO.D'ALLUMAGE ZAG | 1 | | | | |
| 9 | S505975 | SACHET JOINTS CAISSON HTE GA | 1 | 55,50 € | | | |
| 10 | S139751 | MAMELON DOUBLE 1"EGAL | 1 | Nous consulter... | | | ⊘ |
| 11 | SN902201 | VOYANT KIJKLAS 147.125.001 | 1 | 74,50 € | | | |
| 12 | S139154 | PORTE EQUIPEE HTE GAZ | 1 | Nous consulter... | | | ⊘ |
| 13 | S139755 | PASSE CLOISON | 1 | Nous consulter... | | | ⊘ |
| 14 | S139468 | CABLAGE VANNE | 1 | 97,60 € | | | |
| 15 | S139469 | CABLAGE VENTILATEUR | 1 | 72,00 € | | | |
| 16 | S139470 | CABLAGE IONISATION + SONDE | 1 | 64,60 € | | | |
| 17 | S139733 | CABLAGE D'ALLUMAGE | 1 | 15,70 € | | | |
| 18 | S140645 | SORTIE FUMEEES PR | 1 | | | | |
| 19 | S505976 | SACHET VISSERI.CAISSON HTE GA | 1 | 48,10 € | | | |



MOOREA 1 HTE

JUSQUE 2011

CORPS 35KW GBVI GBI GCVI GCI



1

moorea 1 hte 2011 35 gbvi gbi gcv gci corps_Vue.xls



MOOREA 1 HTE

MOOREA 1 HTE 35 kW GBi/GBVi

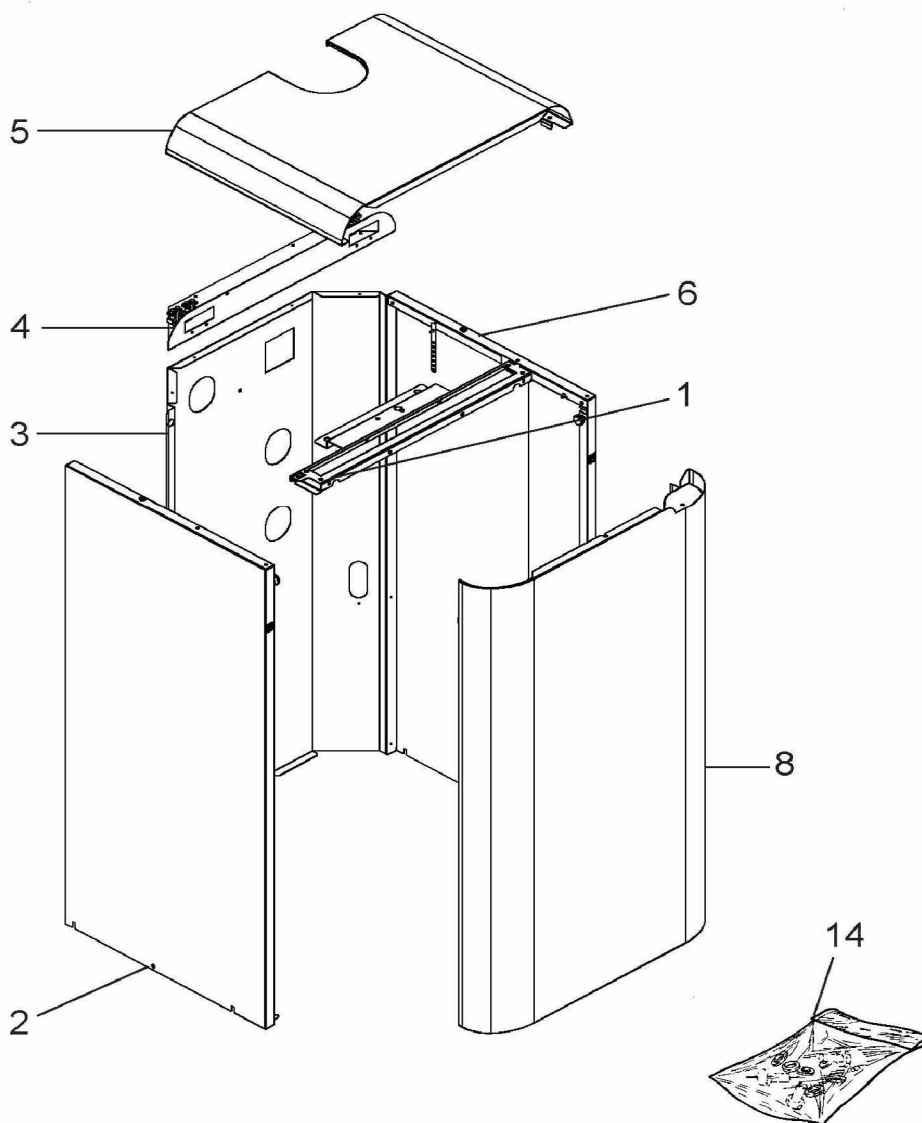
| Réf. | Référenc | Description | Qté | Tarif | Substitut | Tarif Sub. | Remarques |
|------|----------|-------------------------------|-----|----------|-----------|------------|-----------|
| 1 | S139545 | CORPS EQUIPE 35 KW HTE GAZ | 1 | | | | |
| 2 | S139734 | PURGEUR IMT PR | 1 | 21,80 € | | | |
| 3 | S139451 | SONDE APPLIQUE | 1 | 88,60 € | | | |
| 4 | S139453 | ISOLANT FOYER PR | 1 | 19,60 € | | | |
| 4 | S142395 | ISOLANT CORPS HTE GAZ | 1 | 19,60 € | | | |
| 5 | S505978 | SACHET JOINTS 35 KW HTE GAZ P | 1 | 60,90 € | | | |
| 6 | S139518 | TUBE DE SORTIE FUMEE PR | 1 | 50,60 € | | | |
| 7 | S505979 | SACHET VISSERIE PR | 1 | 51,20 € | | | |
| 8 | S139455 | BAC CONDENSAT 38 KW HTE GAZ | 1 | 253,00 € | | | |
| 9 | S505937 | TUBE SILICONE | 1 | 24,20 € | | | |
| 10 | S140633 | EVACUATION CONDENSATS-VIDAN | 1 | 132,00 € | | | |



MOOREA 1 HTE

JUSQUE 2011

HABILLAGE GBVI GBI 35 KW



1

moorea 1 hte 2011 35 gbvi gbi habillage_Vue.xls



MOOREA 1 HTE

MOOREA 1 HTE 35 kW GBi/GBVi

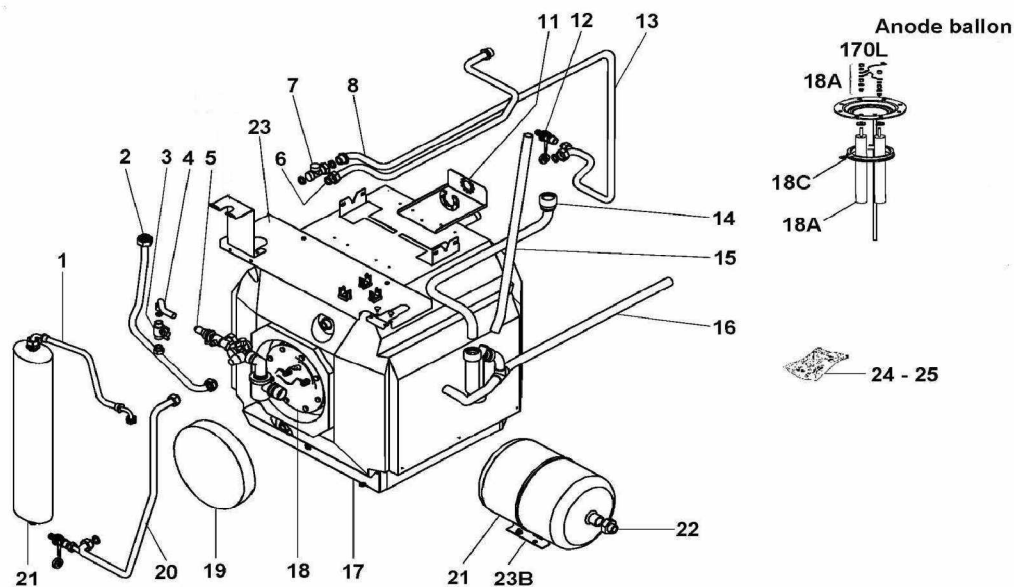
| Réf. | Référenc | Description | Qté | Tarif | Substitut | Tarif Sub. | Remarques |
|------|----------|-------------------------------|-----|-------------------|-----------|------------|-----------|
| 1 | S139821 | TRAVERSE EQUIPEE | 1 | Nous consulter... | | | |
| 2 | S139748F | COTE GAUCHE EQUIPE 35KW | 1 | Nous consulter... | | | |
| 3 | S139542F | TOLE ARRIERE (HTE GAZ) | 1 | Nous consulter... | | | |
| 4 | S139543 | TOLE ARRIERE SUPERIEURE HTE | 1 | Nous consulter... | | | |
| 5 | S139670F | DESSUS MOOREA 1 (HTE GAZ 35K' | 1 | Nous consulter... | | | |
| 6 | S139747F | COTE DROIT EQUIPE 35KW | 1 | | | | |
| 8 | S131827F | ENS.FACADE PEINT EQUIPE | 1 | | | | |
| 14 | S505980 | SACHET DE VISSERIE HTE GAZ | 1 | 56,70 € | | | |



MOOREA 1 HTE

JUSQUE 2011

PREPARATEURS ECS 130 ET 170L



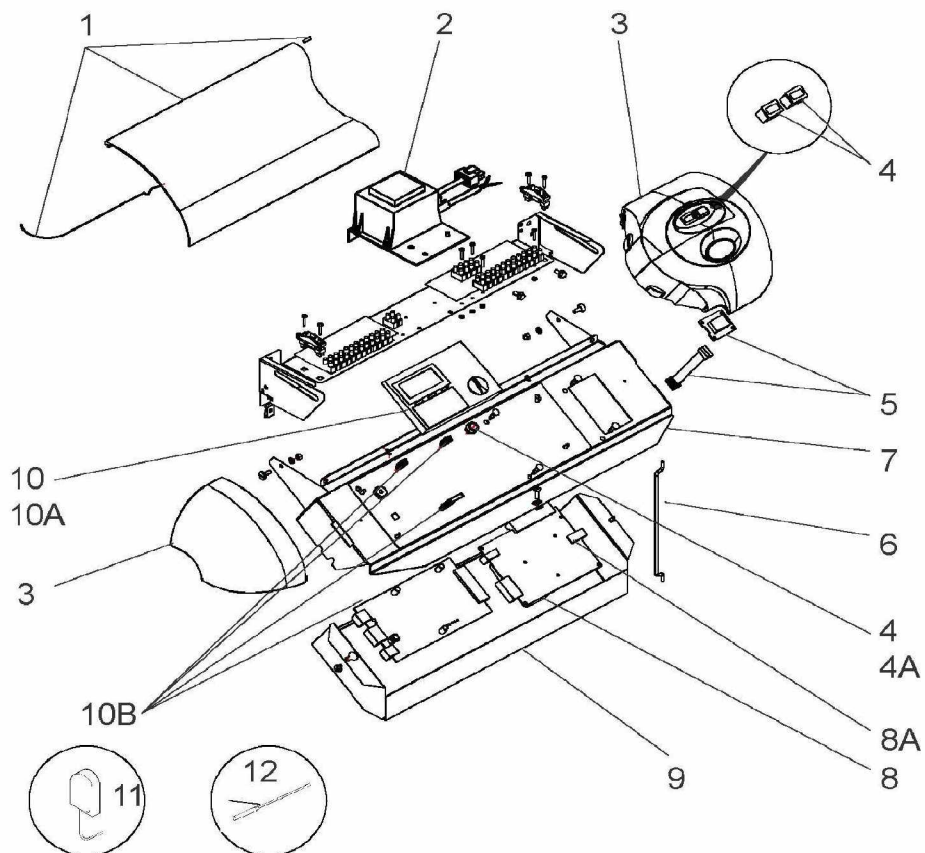
| Réf. | Référenc | Description | Qté | Tarif | Substitut | Tarif Sub. | Remarques |
|------|----------|----------------------------------|-----|-------------------|-----------|------------|--------------------------------------|
| 1 | S139668 | FLEXIBLE COUDE 1/2" - 3/4" | 1 | | | | |
| 2 | S139624 | TUBE DEPART ECS 170L | 1 | Nous consulter... | | | ⊘ |
| 3 | S139682 | VANNE ARRET MM1/2 JOINT PLAT | 1 | | | | |
| 4 | S139570 | FLEXIBLE DISCONNECTEUR 3/8"-1/2" | 1 | | | | |
| 5 | S505868 | ENS.GROUPE SECU.DISCONNECTEUR | 1 | 152,00 € | | | |
| 6 | S139654 | TUBE RESEAU 1ERE PARTIE | 1 | 58,60 € | | | |
| 7 | S139569 | TE LAITON 3/4"M-F | 1 | Nous consulter... | | | ⊘ |
| 8 | S140023 | TUBE ECS 170L | 1 | Nous consulter... | | | ⊘ |
| 11 | S139876 | BRIDE 3/4" | 1 | Nous consulter... | | | ⊘ |
| 12 | S1700647 | ROBINET DE VIDANGE 1/2" | 1 | 33,90 € | | | |
| 13 | S139649 | TUBE ECS 2EME PARTIE | 1 | 101,00 € | | | |
| 14 | S139880 | ENS.TUBE DE VIDANGE | 1 | 79,40 € | | | |
| 15 | S139870 | TUBE SILICONE D:16x22 | 1 | | | | |
| 16 | S139778 | ENS.LIGNE CONDENSATS | 1 | 132,00 € | | | |
| 17 | S137379 | BALLON 170L EQUIPE ET MOUSSE | 1 | | | | |
| 18 | S138100 | ENS.CONTRE BRIDE EQUIPE 170L | 1 | 153,00 € | | | 2 anodes - [ext.220/joint S15638005 |
| 18 | S143217 | BRIDE EQUIPEE BALLON SUM 170L | 1 | 179,00 € | | | 1 anode - D ext:190/joint S143216 |
| 18A | S500400 | CABLE MASSE ANODE+GARNIT. | 1 | 19,20 € | | | [To Translat =] |
| 18A | S504018 | ANODE+CABLE MASSE+GARNIT.17 | 1 | 79,80 € | | | |
| 18B | S138101 | CONTRE BRIDE SOUDEE 170L | 1 | 67,60 € | | | [To Translat =] |
| 18C | S1563800 | JOINT A LEVRE DN125 | 1 | 36,70 € | | | Jusqu'a juin |
| 18C | S143216 | JOINT DE BRIDE GRIS | 1 | 15,80 € | | | A partir de ju 2007 |
| 19 | S1700279 | COUVERCLE MOUSSE PU R2/SUM | 1 | 54,30 € | | | |
| 20 | S139626 | TUBE RACCORDEMENT 170L | 1 | Nous consulter... | | | ⊘ |
| 21 | S139631 | VASE EXPANSION CYL 4L | 1 | 167,00 € | | | |
| 21B | S139319 | VASE EXPANSION CYL 8L 3/4M | 1 | 89,90 € | | | |
| 22 | S139659 | RACCORD 1/2"Mx3/4"F LAITON | 1 | Nous consulter... | | | ⊘ |
| 23 | S139840 | SUPPORT DE VASE | 1 | Nous consulter... | | | ⊘ |
| 23B | S139840 | SUPPORT DE VASE | 1 | Nous consulter... | | | ⊘ |
| 24 | S505981 | SACHET JOINTS BALLON | 1 | 48,10 € | | | |
| 25 | S505982 | SACHET VISSERIE BALLON | 1 | 48,10 € | | | |



MOOREA 1 HTE

JUSQUE 2011

| | |
|-------------------------------------|--|
| TABLEAU 22 / 35KW GBVi GBI GCVI GCI | |
|-------------------------------------|--|



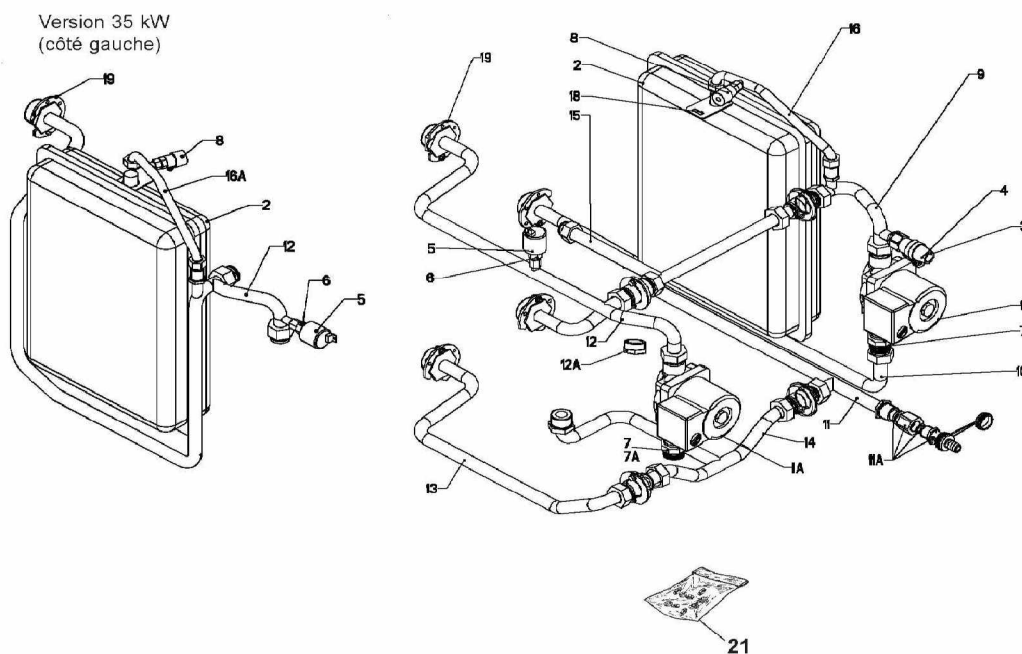
| Réf. | Référenc | Description | Qté | Tarif | Substitut | Tarif Sub. | Remarques |
|------|----------|-------------------------------|-----|-------------------|-----------|------------|-----------|
| 0 | S135522 | CABLE PRESSOSTAT MANQUE D'E | 1 | 46,20 € | | | ⊘ |
| 0 | S139471 | CABLE SONDE CHAUDIERE | 1 | 51,70 € | | | |
| 0 | S505991 | TORON CABLAGE | 1 | 134,00 € | | | |
| 0 | S137393 | CABLE DE POMPE L:1500 | 1 | 23,40 € | | | |
| 1 | S132387 | COUVERCLE TABLEAU | 1 | Nous consulter... | | | ⊘ |
| 2 | S134678 | TRANSFORMATEUR ALIMENTATIO | 1 | 163,00 € | | | |
| 3 | S500230 | FACADE UTILISATEURE | 1 | Nous consulter... | | | ⊘ |
| 4 | S502343 | SACHET VOYANTS/INTER./FUSIBLE | 1 | 76,60 € | | | |
| 4A | S1580359 | FUSIBLE VERRE T4A D=5X20 | 1 | 3,50 € | | | |
| 5 | S500395 | ENS.ELECTRONIQUE CHAUD.CHAF | 1 | 172,00 € | | | |
| 6 | S132377 | BEQUILLE | 1 | 76,60 € | | | |
| 7 | S139749 | TABLEAU HTE GAZ | 1 | Nous consulter... | | | ⊘ |
| 8 | S505885 | CARTE ELECTRONIQUE CM121 HT | 1 | 310,00 € | | | |
| 8A | S1740154 | KIT DE TRANSFORM.PROPANE HTI | 1 | Nous consulter... | | | ⊘ |
| 9 | S132605 | FOND DE TABLEAU | 1 | | | | |
| 10 | S132530 | MODULE AMBIANCE CHAPPEE | 1 | | | | |
| 10A | S500393 | EMBASE MODULE D'AMBIANCE | 1 | 75,90 € | | | |
| 10B | S132379 | FIXATION MODULE ELECTRONIQU | 1 | 11,20 € | | | |
| 10B | S131472 | CARTE ELECTRONIQUE KM | 1 | | | | |
| 11 | S500226 | SONDE EXTERIEURE AFS | 1 | 83,10 € | | | |
| 12 | S500173 | SONDE BALLON SPFS LG:2M | 1 | | | | |



MOOREA 1 HTE

JUSQUE 2011

TUYAUTERIES CORPS 35KW GBVI GBI GCVI GCI



| Réf. | Référenc | Description | Qté | Tarif | Substitut | Tarif Sub. | Remarques |
|------|----------|-------------------------------|-----|-------------------|-----------|------------|-----------|
| 1 | S507083 | POMPE WILO RS15/5-3KUCR130-3 | 1 | | | | |
| 1A | S507083 | POMPE WILO RS15/5-3KUCR130-3 | 1 | | | | |
| 2 | S139583 | VASE D'EXPANSION CHAUFFAGE 1 | 1 | 203,00 € | | | |
| 3 | S170922F | SOUPAPE DE SECURITE | 1 | | | | |
| 4 | S139770 | RACCORD MALE 1/2" POUR TUBE F | 1 | | | | |
| 5 | S135523 | TRANSMETTEUR MANQUE D'EAU | 1 | 42,70 € | | | |
| 6 | S135669 | MAMELON SECURITE MANQUE D'E | 1 | | | | |
| 7 | S132200 | CLAPET ANTIRETOUR 1"M-1"F | 1 | 16,50 € | | | |
| 7A | S132200 | CLAPET ANTIRETOUR 1"M-1"F | 1 | 16,50 € | | | |
| 8 | S133500 | ROBINET 1/4" | 1 | | | | |
| 9 | S139599 | TUBE DEPART CHAUFFAGE PR | 1 | 110,00 € | | | |
| 10 | S139598 | TUBE DEPART CAISSON/CIRCULA1 | 1 | Nous consulter... | | | ⊘ |
| 11 | S139592 | TUBE RETOUR CHAUFFAGE CAISS | 1 | Nous consulter... | | | ⊘ |
| 11A | S506640 | ENS. ROBINET DE VIDANGE P.R | 1 | 43,20 € | | | |
| 12 | S139853 | TUBE DEPART ECS CIRCUIT V3V P | 1 | 161,00 € | | | |
| 12A | S138958 | BOUCHON LAITON 292-1" MALE PR | 1 | Nous consulter... | | | ⊘ |
| 13 | S139597 | ENSEMBLE RETOUR CIRCUIT PR | 1 | Nous consulter... | | | ⊘ |
| 14 | S139591 | TUBE RETOUR CHAUFFAGE CORP | 1 | 86,70 € | | | |
| 15 | S139590 | TUBE DEPART CHAUFFAGE PR | 1 | 76,10 € | | | |
| 16 | S139708 | TUBE VASE EXPANSION CHAUFFA | 1 | 44,40 € | | | |
| 16A | S140019 | TUBE VASE D EXPANSION GAUCHI | 1 | 37,60 € | | | |
| 18 | S139829 | ATTACHE DE VASE PR | 1 | Nous consulter... | | | ⊘ |
| 19 | S139877 | BRIDE 1"1/4 PR | 1 | Nous consulter... | | | ⊘ |
| 21 | S505974 | SACHET JOINTS CIRCUIT CHAUFF/ | 1 | 65,20 € | | | |