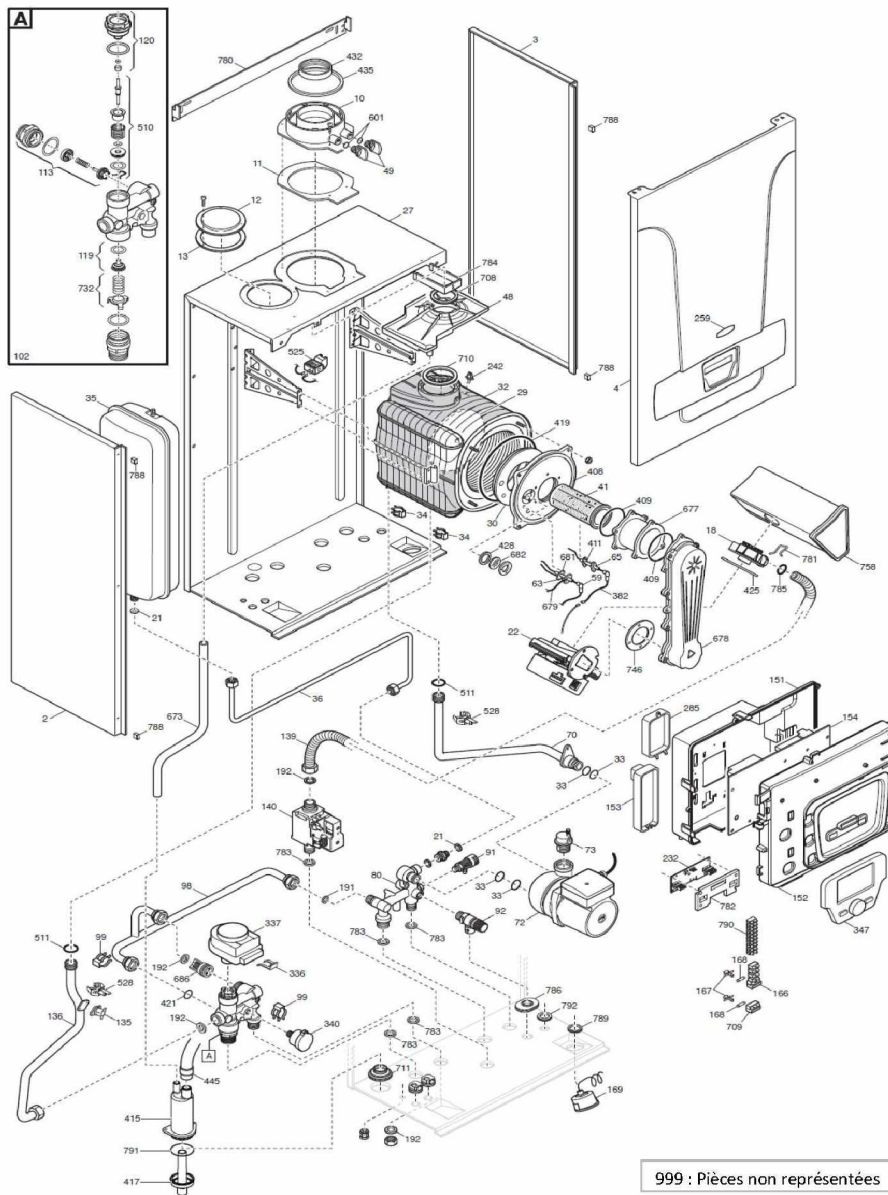




LUNA PLATINUM HTE

A PARTIR DE JANVIER 2012

| | | | |
|----|---------------|------------------------|--|
| N° | 710880901/2/3 | LUNA PLATINUM 1.12 HTE | |
|----|---------------|------------------------|--|





LUNA PLATINUM HTE (2012 -> 2015)

LUNA PLATINUM HTE 1.12

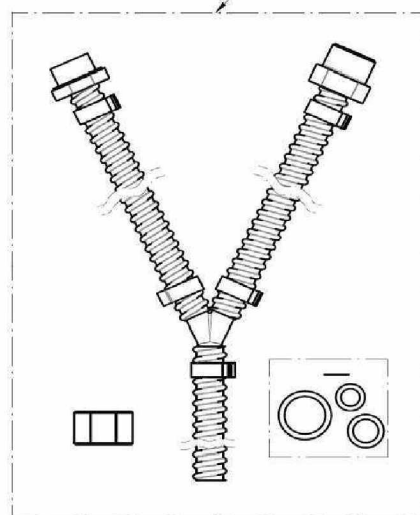
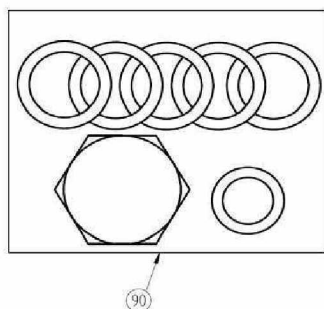
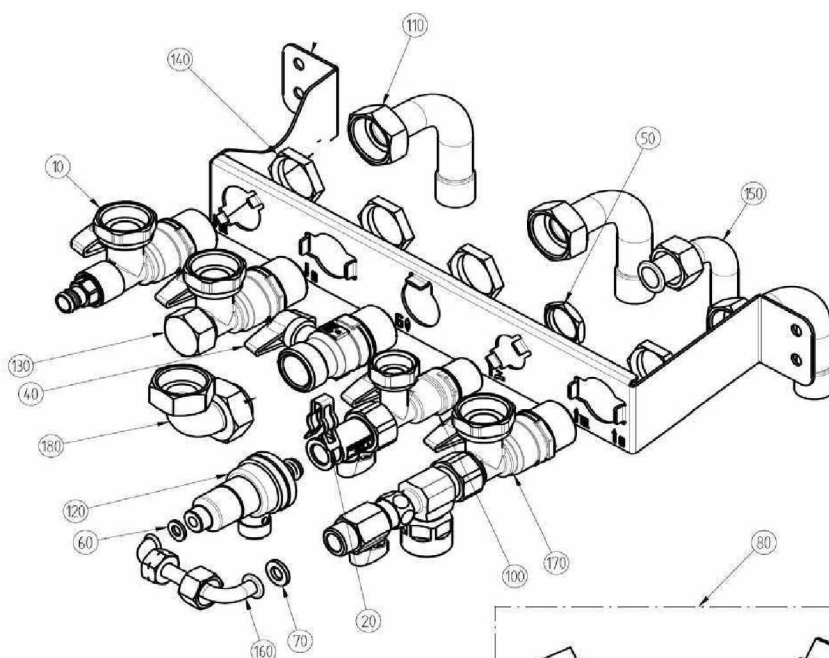
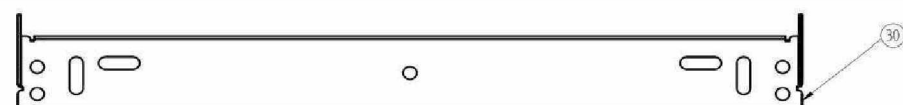
| Réf. | Référenc | Description | Qté | Tarif | Substitut | Tarif Sub. | Remarques |
|------|----------|---------------------------------|-----|----------|-----------|------------|-----------|
| 2 | SX710066 | PANNEAU GAUCHE INITIA PLUS | 1 | | | | |
| 3 | SX710066 | PANNEAU DROIT INITIA PLUS | 1 | | | | |
| 4 | SX710918 | PANNEAU AV.PLATINUM CH | 1 | | | | |
| 10 | SX540902 | RACCORDEMENT VENTOUSE (1 | 1 | | | | |
| 11 | SX540901 | JOINT VENTOUSE CAOUTCHOUC | 1 | | | | |
| 12 | SX510869 | OBTURATEUR (5108690) | 1 | 1,05 € | | | |
| 13 | SX540740 | JOINT OBTURATEUR DECOUPE (x3 | 1 | 1,05 € | | | |
| 18 | SX710068 | VENTURI AGU3715 | 1 | | | | |
| 21 | SX540205 | JOINT 6,1x11,5x1,5 (X3) | 1 | | | | |
| 22 | SX710692 | VENTILATEUR NRG118 | 1 | 155,00 € | | | |
| 27 | SX710465 | CHAMBRE DE COMBUSTION | 1 | | | | |
| 29 | SX710283 | PANNEAU ISOLANT ARRIERE | 1 | | | | |
| 30 | SX541102 | PANNEAU ISOLANT (5411020 | 1 | | | | |
| 32 | SX567194 | ECHANGEUR PRINCIPAL 4E (5 | 1 | | | | |
| 33 | SX710963 | O-RING 22X3 EPDM (x3) | 1 | 4,40 € | | | |
| 33 | SX540313 | O-RING 22X3 EPDM (x3) (5403130) | 1 | 4,40 € | | | |
| 34 | SX838086 | CLIPS ECHANGEUR PRINCIPAL | 1 | | | | |
| 35 | SX710022 | VASE D'EXPANSION 8L | 1 | | | | |
| 36 | SX710157 | TUBE LIAISON VASE | 1 | | | | |
| 41 | SX710448 | BRULEUR WORGAS(PX951A) | 1 | | | | |
| 48 | SX710282 | GOUTIERE AIR NEUF | 1 | | | | |
| 49 | SX540928 | BOUCHON RACCORD.VENTOUSE | 1 | | | | |
| 59 | SX851352 | CABLE ELECT.D'ALLUMAGE L=250 | 1 | | | | |
| 63 | SX710220 | ELECTRODE ALLUMAGE HTE | 1 | | | | |
| 65 | SX710424 | ELECTRODE IONISATION B&P | 1 | | | | |
| 70 | SX710156 | TUBE POMPE/ECHANGEUR | 1 | | | | |
| 72 | SX710309 | POMPE UPERO 15-60 | 1 | | | | |
| 73 | SX710493 | DEGAZEUR POMPE | 1 | | | | |
| 80 | SX711237 | GROUPE RETOUR CHAUFFAGE | 1 | | | | |
| 80 | SX710266 | GROUPE RETOUR CHAUFFAGE | 1 | | | | |
| 91 | SX565203 | ROBINET DE VIDANGE (PDM5€ | 1 | 4,40 € | | | |
| 92 | SX995117 | SOUPAPE DE SECURITE 3BARS | 1 | | | | A CLIPSER |
| 98 | SX567277 | TUBE BY-PASS CHAUFFAGE | 1 | | | | |
| 99 | SX838085 | CLIP TUBE BY-PASS | 1 | | | | |
| 102 | SX568354 | ENS.VANNE 3 VOIES (56835 | 1 | | | | |
| 113 | SX061710 | GROUPE BY-PASS | 1 | | | | |
| 119 | SX060576 | CLAPET CHAUFFAGE V3V (6057 | 1 | | | | |
| 120 | SX060075 | BOUCHON V3V CHAUFFAGE | 1 | | | | |
| 135 | SX995076 | SECURITE SURCHAUFFE 105Å° (9 | 1 | | | | |
| 136 | SX710157 | TUBE DEPART CHAUFFAGE | 1 | | | | |
| 139 | SX710022 | FLEXIBLE GAZ | 1 | | | | |
| 140 | SX710452 | VANNE GAZ VGE56S | 1 | | | | |
| 151 | SX710018 | COUVERCLE BOITIER ELECTRIQUE | 1 | 5,60 € | | | |
| 152 | SX710019 | PANNEAU DE COMMANDE | 1 | 5,70 € | | | |
| 153 | SX710018 | CAPOT BORNIER DE RACCORDEM | 1 | 1,05 € | | | |
| 154 | SX711011 | CIRCUIT IMPRIME LMS 15 00000-00 | 1 | | | | |
| 154 | 7222067 | C.I. LMS15 1.12+ | 1 | | | | |
| 166 | SX842159 | BORNIER DE RACCORDEMENT | 1 | | | | |
| 167 | SX540534 | PORTE-FUSIBLES (x3) (PDM540534 | 1 | 1,05 € | | | |

| | | | | |
|-----|----------|---------------------------------|---|---------|
| 168 | SX995058 | FUSIBLES 2A 250V (X10) (995058C | 1 | |
| 169 | SX710554 | MANOMETRE | 1 | |
| 191 | SX540897 | JOINT G1/2" (5408970) | 1 | |
| 192 | SX540465 | JOINT G3/4" 17x24x2 (X10) # | 1 | |
| 232 | SX710028 | CARTE ELECTRONIQUE INTERFAC | 1 | 21,60 € |
| 242 | SX843527 | SONDE CTN FUMEE | 1 | |
| 259 | SX710828 | LOGO CHAPPEE | 1 | 1,05 € |
| 285 | SX710083 | CAPOT CLIP-IN | 1 | 1,05 € |
| 314 | SX710071 | CABLE RALLONGE IONISATION | 1 | |
| 336 | SX838068 | RESSORT FIX MOTEUR V3V | 1 | |
| 337 | SX569458 | MOTEUR V3V ELBI | 1 | |
| 340 | SX710109 | CAPTEUR DE PRESSION | 1 | |
| 347 | SX710628 | COMMANDE A DISTANCE 2S | 1 | |
| 347 | SX710234 | COMMANDE A DISTANCE | 1 | |
| 382 | SX851113 | CABLE ELECTRODE IONISATION | 1 | |
| 408 | SX521290 | BRIDE CHAMBRE DE COMBUSTION | 1 | 33,10 € |
| 409 | SX541353 | JOINT DE BRULEUR | 1 | |
| 411 | SX710185 | JOINT ELECTRODE IONISATION | 1 | 1,60 € |
| 415 | SX710016 | SIPHON COMPLET | 1 | |
| 417 | SX710522 | BOUCHON SYPHON CONDENSATS | 1 | |
| 419 | SX541100 | JOINT BRIDE/ECHANGEUR | 1 | |
| 421 | SX540827 | O-RING 11,91x2,62 EPDMR | 1 | |
| 425 | SX710042 | JOINT DE VENTURI | 1 | |
| 428 | SX540929 | JOINT HUBLLOT (X3) (5409290) | 1 | |
| 432 | SX541042 | JOINT FUMEEES Å~60 | 1 | |
| 435 | SX540755 | JOINT FUMEEES Å~100 (5407550) | 1 | |
| 445 | SX710066 | FLEXIBLE DE LIAISON SIPHON | 1 | |
| 510 | SX060076 | ENS.OBTURATEUR SANITAIRE (60 | 1 | |
| 511 | SX540460 | O-RING 17,86X2,62 (X3) | 1 | |
| 525 | SX710027 | ALLUMEUR ANTOSS 24V | 1 | |
| 528 | SX710439 | SONDE CTN TODS | 1 | |
| 601 | SX540856 | O-RING 8,73X1,78 (x3) (5408560) | 1 | |
| 673 | SX710066 | TUBE GOUTIERE /SIPHON | 1 | |
| 677 | SX521293 | RALLONGE BRULEUR 5E (5212930 | 1 | |
| 678 | SX710051 | AIR-GAS CONVEYOR SS.LUNA4 | 1 | |
| 679 | SX851115 | CABLE MASSE ELECTR.D'ALL.L=27 | 1 | |
| 681 | SX710185 | JOINT ELECTRODE D'ALLUMAGE | 1 | |
| 682 | SX521180 | HUBLLOT (5211800) | 1 | |
| 686 | SX566302 | CLAPET ANTI-RETOUR (566302 | 1 | |
| 708 | SX541097 | JOINT D:60 (5410970) | 1 | 1,05 € |
| 709 | SX842316 | DOMINOS PORTE FUSIBLE(842316) | 1 | |
| 710 | SX541103 | JOINT D:80 (5411030) | 1 | |
| 711 | SX710039 | JOINT EPDM SIPHON/CAISSON | 1 | 1,05 € |
| 732 | SX062021 | RESSORT (0620210) | 1 | |
| 746 | SX541090 | JOINT VENTILATEUR (5410900) | 1 | |
| 758 | SX710088 | SILENCIEUX BOITE A AIR | 1 | 12,30 € |
| 780 | SX710014 | TRAVERSE FIXATION SUPERIEURE | 1 | |
| 781 | SX710011 | CLIP FIXATION FLEXIBLE GAZ | 1 | |
| 782 | SX710183 | JOINT CARTE INTERFACE | 1 | 1,05 € |
| 783 | SX710039 | JOINT GROUPE HYDRAULIQUE | 1 | |

| | | | | |
|-----|----------|------------------------------|---|--------|
| 784 | SX710123 | SUPPORT REDUCTION AIR NEUF | 1 | |
| 785 | SX710061 | O-RING 18x3 EPDM | 1 | |
| 786 | SX710387 | JOINT EPDM SOUP./CAISSON | 1 | 1,05 € |
| 788 | SX710176 | JOINT CHAMBRE DE COMBUSTION | 1 | |
| 789 | SX710017 | JOINT MANOMETRE | 1 | 1,40 € |
| 790 | SX710117 | BORNIER M2 | 1 | 2,30 € |
| 791 | SX541184 | O-RING 40,95x2,62-EPDM | 1 | |
| 792 | SX710189 | BOUCHON EPDM NOIR | 1 | |
| 800 | SX710132 | JOINT DE VANNE | 1 | |
| 999 | SX710168 | CABLE X11/VENT-M3 | 1 | |
| 999 | SX710267 | CABLE X13/POMP-V3V | 1 | |
| 999 | SX710267 | CABLE X21/M2-CTN BALLON-EXT | 1 | 2,80 € |
| 999 | SX710428 | CABLE X22/CTN | 1 | |
| 999 | SX841454 | CABLE M1/TA (8414540) | 1 | |
| 999 | SX710103 | CABLE MASSE | 1 | 1,05 € |
| 999 | SX710124 | CABLE X15/MOTEUR PaP-ALLUMEL | 1 | |
| 999 | SX710124 | CABLE X25/MOTEUR PÂ P | 1 | |
| 999 | SX710124 | CABLE X14/SURCHAUFFE | 1 | |
| 999 | SX710125 | CABLE X23/VENT-POMP | 1 | |
| 999 | SX710066 | CABLE X12/M1-TA | 1 | 1,70 € |
| 999 | SX710071 | CABLE RALLONGE CTN FUMEE | 1 | |
| 999 | SX710079 | CABLE X20/M2 SONDAS AUX | 1 | 1,55 € |
| 999 | SX710062 | CABLE X42/M2-SONDE QAA | 1 | 3,10 € |
| 999 | SX710053 | CABLE X40/AFFICHEUR | 1 | 6,40 € |
| 999 | SX710057 | CABLE X10/BORNIER M1 | 1 | 2,80 € |
| 999 | SX841462 | CABLE M1 ALIM ELEC (841 | 1 | |

BARRETTE INITIA PLUS HTE CHAUFFAGE SEUL
A PARTIR DE JUIN 2012

| | |
|----|-----------|
| N° | 710857803 |
|----|-----------|



1

BARRETTE INITIA PLUS HTE CHAUFF SEUL - 7108578_Vue



LUNA PLATINUM HTE (2012 -> 2015)

LUNA PLATINUM HTE 1.12

| Réf. | Référenc | Description | Qté | Tarif | Substitut | Tarif Sub. | Remarques |
|------|----------|-------------------------------|-----|--------|-----------|------------|-----------|
| 10 | SX710788 | ROBINET DEPART CHAUFFAGE | 1 | | | | |
| 20 | SX511253 | RESSORT FIXATION DISCONNECTI | 1 | 1,05 € | | | |
| 30 | SX710014 | TRAVERSE FIXATION SUPERIEURE | 1 | | | | |
| 40 | SX710788 | ROBINET DE GAZ | 1 | | | | |
| 50 | SX520954 | ECROU G1/2 | 1 | | | | |
| 60 | SX540205 | JOINT 6,1x11,5x1,5 (X3) | 1 | | | | |
| 70 | SX540497 | JOINT 3/8" (x10) (PDM5404970) | 1 | | | | |
| 80 | SX710467 | COLLECTEUR DE VIDANGE | 1 | | | | |
| 90 | SX710933 | POCHETTE DE JOINT + BOUCHON | 1 | | | | |
| 100 | SX710826 | ROBINET EF | 1 | | | | |
| 110 | SX565763 | TUBE D:18 (5657630) | 1 | | | | |
| 120 | SX710796 | DISCONNECTEUR | 1 | | | | |
| 130 | SX710883 | ROBINET DEP BALLON | 1 | | | | |
| 140 | SX995032 | CONTRE ECROU G 3/4 (9950320) | 1 | | | | |
| 150 | SX710777 | DOUILLE COUDE EF/ECS | 1 | | | | |
| 160 | SX710896 | TUBE DISCONNECTEUR | 1 | | | | |
| 170 | SX710883 | ROBINET RET.CHAUFFAGE | 1 | | | | |
| 180 | SX710829 | TUBE GAZ | 1 | | | | |
| 190 | SX061743 | TUBE SORTIE SIPHON | 1 | | | | |