

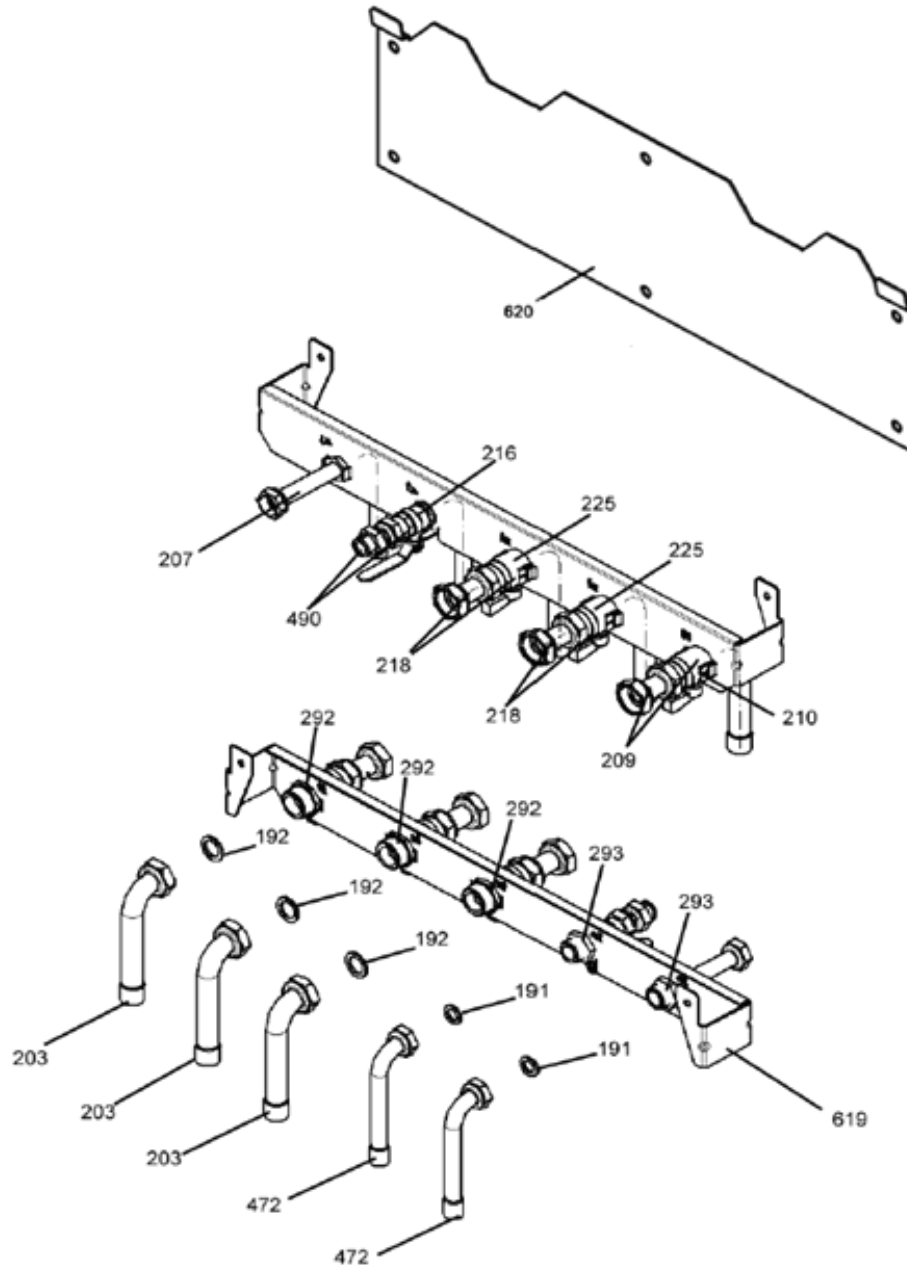
INITIA

Repère	Référence	Désignation	Quantité
191	SX5404640	JOINT G 1/2" (x10) (PDM5404640)	1,0000
192	SX5404650	JOINT G3/4" 17x24x2 (X10) #	1,0000
203	SX5625140	TUBE D:18 (5625140)	1,0000
203	SX5668850	TUBE D:18 (5668850)	1,0000
207	SX5663960	TUBE SORTIE SANITAIRE (5663960)	1,0000
209	SX5664010	GROUPE ROBINET GAZ (5664010)	1,0000
210	SX9950830	ROBINET MM G3/4" (9950830)	1,0000
216	SX5626790	ROBINET ENTREE SANITAIRE G1/2 (5626790)	1,0000
218	SX5661560	GROUPE ROBINET CHAUFFAGE (5661560)	1,0000
225	SX9950840	ROBINET CHAUFFAGE G3/4" M.M (9950840)	1,0000
292	SX9950320	CONTRE ECROU G 3/4 (9950320)	1,0000
293	SX5204900	CONTRE ECROU G 1/2 (5204900)	1,0000
472	SX5625150	TUBE D:14 (5625150)	1,0000
472	SX5668850	TUBE D:18 (5668850)	1,0000
490	SX5626810	GROUPE ROBINET ENTR SANITAIRE G1/2 (5626810)	1,0000
619	SX5113870	TRAVERSE PLATINE HYDRAULIQUE (5113870)	1,0000
620	SX5109750	TRAVERSE SUPERIEURE (5109750)	1,0000
999	KFG714073711	Barrette de robinetterie	1,0000
999	SX9223960	GABARIT EN PAPIER (9223960)	1,0000
999	SX5660080	GROUPE VIS DE FIXATION (5660080)	1,0000
999	SX0614720	SACHET DE JOINTS (0614720)	1,0000



BARRETTE DUO 3

N°	KFG714073711	
----	--------------	--



INITIA



INITIA

Repère	Référence	Désignation	Quantité
1	SX5106510	MONTANT LATERAL	1,0000
1	SX5116480	MONTANT LATERAL (5116480)	1,0000
2	SX5663160	PANNEAU COTE GAUCHE (5663160)	1,0000
2	SX5684630	PANNEAU COTE GAUCHE	1,0000
3	SX5663140	PANNEAU COTE DROIT (5663140)	1,0000
3	SX5684620	PANNEAU COTE DROIT (5684620)	1,0000
4	SX5663940	PANNEAU AVANT INITIA DUO (5663940)	1,0000
5	SX5109740	TRAVERSE SUPERIEURE ARRIERE (5109740)	1,0000
6	SX5106550	TRAVERSE PLATINE HYDRAULIQUE (5106550)	1,0000
7	SX5107950	TRAVERSE SUPERIEURE AVANT (5107950)	1,0000
8	SX5402270	TUBE SILICONE PRESSOSTAT (x3) (5402270)	1,0000
10	SX5207060	RACCORDMENT VENTOUSE (5207060)	1,0000
11	SX5407890	JOINT VENTOUSE CAOUTCHOUC (5407890)	1,0000
12	SX5108690	OBTURATEUR (5108690)	1,0000
13	SX5407400	JOINT OBTURATEUR DECOUPE (x3)	1,0000
14	SX5658850	PANNEAU SUPERIEUR DE CAISSON (5658850)	1,0000
15	SX5645800	JOINT SORTIE EXTRACTEUR (5645800)	1,0000
17	SX0600490	COUDE EVACUATION FUMEEES	1,0000
18	SX5407050	VENTURI (5407050)	1,0000
21	SX5402050	JOINT 6,1x11,5x1,5 (X3)	1,0000
22	SX5628070	EXTRACTEUR (FIME) (PDM5628070)	1,0000
22	SX5632530	EXTRACTEUR (SEL) (5632530)	1,0000
23	SX0618470	PRESSOSTAT 1,2MB HONEYWELL	1,0000
23	SX5629560	PRESSOSTAT HONEYWELL (5629560)	1,0000
23	SX5655120	PRESSOSTAT(TRIDELTA) (5655120)	1,0000
24	SX5402490	TUBE SILICONE "VANNE GAZ" (x3) (5402490)	1,0000
25	SX5634580	HOTTE EVACUATION FUMEEES (5634580)	1,0000
26	SX5107440	PANNEAU COTE CHAMBRE ETANCHE (5107440)	1,0000
27	SX5106560	PANNEAU ARRIERE CHAMBRE ETANCHE (5106560)	1,0000
28	SX5210310	PANNEAU ISOLANT LATERAL (5210310)	1,0000
28	SX5213170	PANNEAU ISOLANT LATERAL (5213170)	1,0000
29	SX5210300	PANNEAU ISOLANT ARRIERE (5210300)	1,0000
29	SX5213250	PANNEAU ISOLANT ARRIERE (5213250)	1,0000
30	SX5210320	PANNEAU ISOLANT AVANT (5210320)	1,0000

INITIA

Repère	Référence	Désignation	Quantité
30	SX5213410	PANNEAU ISOLANT AVANT (5213410)	1,0000
31	SX5108420	PANNEAU AVANT CHAMBRE COMBUSTION (5108420)	1,0000
32	SX5622180	ECHANGEUR PRINCIPAL C&M (5622180)	1,0000
33	SX5403130	O-RING 22X3 EPDM (x3) (5403130)	1,0000
35	SX5629130	VASE D'EXPANSION 7,5L	1,0000
37	SX5621590	PANNEAU AVANT CHAMBRE ETANCHE (5621590)	1,0000
38	SX5401610	JOINT HUBLLOT (x3) (5401610)	1,0000
39	SX5203930	HUBLLOT (5203930)	1,0000
40	SX5103360	COUVERCLE HUBLLOT (5103360)	1,0000
41	SX5630310	BRULEUR 18 BECS (5630310)	1,0000
43	SX5633950	NOURRICE PTE INJECTEUR 18T D:1,18 (5633950)	1,0000
43	SX5634110	NOURRICE PORTE INJECTEUR 18T D:0,69 (5634110)	1,0000
44	SX5666910	KIT INJECTEURS D.0,69 BP	1,0000
44	SX5666920	SACH.INJECTEURS 1,18+DIAPH.4,2 G.N	1,0000
46	SX0607990	RACCORD NOURRICE (607990)	1,0000
47	SX5404740	JOINT NOURRICE/CAISSON (x3) (5404740)	1,0000
49	SX5207070	BOUCHON RACCORDEMENT VENTOUSE (5207070)	1,0000
59	SX8419380	CABLE ELECTRODE ALLUMAGE L=400 (x2) (8419380)	1,0000
60	SX5406600	JOINT ELECTRODE D'ALLUMAGE (5406600)	1,0000
61	SX5404920	PROTECTION ELECTRODE (x4) (5404920)	1,0000
62	SX5409570	PRISE DE PRESSION FF (5409570)	1,0000
62	SX5643090	RACCORD PRISE DE PRESSION (5643090)	1,0000
63	SX8422570	ELECTRODE ALLUMAGE (x4) (8422570)	1,0000
68	SX0618970	CACHE INFERIEUR CHAMBRE COMBUSTION (0618970)	1,0000
68	SX5110440	CACHE INFERIEUR CHAMBRE COMBUSTION (5110440)	1,0000
70	SX5662800	TUBE POMPE/ECHANGEUR (5662800)	1,0000
72	SX5655200	POMPE GRUNDFOS 15/50 (5655200)	1,0000
73	SX0607290	DEGAZEUR (607290)	1,0000
76	SX5662920	SERPENTIN EN INOX/ANODE (5662920)	1,0000
78	SX5662900	BALLON (5662900)	1,0000
78	SX5688340	BALLON (5688340)	1,0000
79	SX9950610	SOUPAPE DE SECURITE 7BARS	1,0000
80	SX5212070	RACCORD ENTREE SANITAIRE (5212070)	1,0000
83	SX5620090	LIMITEUR DEBIT SANIT.12L/MN	1,0000

INITIA

Repère	Référence	Désignation	Quantité
90	SX5622840	ROBINET DE REMPLISSAGE (5622840)	1,0000
91	SX9951120	ROBINET DE REMPLISSAGE (9951120)	1,0000
92	SX5619620	SOUPAPE DE SECURITE (5619620)	1,0000
95	SX5209940	ANODE DE MAGNESIUM (5209940)	1,0000
96	SX5663060	TUBE V3V/ENTREE SERPENTIN (5663060)	1,0000
98	SX5212040	TUBE BY-PASS CHAUFFAGE (5212040)	1,0000
102	SX5663040	ENS.VANNE 3 VOIES (5663040)	1,0000
104	SX5663110	CONNEXION DEPART ECS (5663110)	1,0000
109	SX5207810	JOINT (x3) (5207810)	1,0000
112	SX5405320	MEMBRANE SECURITE DEBIT D'EAU (x3) (PDM5405320)	1,0000
131	SX8434820	SONDE CTN CH et SN MURALE (8434820)	1,0000
134	SX5211240	DIAPHRAGME GAZ 4,8mm (5211240)	1,0000
134	SX5211760	DIAPHRAGME GAZ 4,2mm (5211760)	1,0000
135	SX9950760	SECURITE SURCHAUFFE 105° (9950760)	1,0000
136	SX5662790	TUBE V3V/ECHANGEUR (5662790)	1,0000
137	SX5663200	TUBE GAZ (5663200)	1,0000
139	SX5662880	TUBE ENTREE GAZ (5662880)	1,0000
140	SX5658830	VANNE GAZ SIT(845 SIGMA)	1,0000
147	SX5109720	PANNEAU INFERIEUR (5109720)	1,0000
147	SX5116500	PANNEAU INFERIEUR JAQUETTE (5116500)	1,0000
151	SX5408470	COUVERCLE BOITIER ELECTRIQUE (5408470)	1,0000
152	SX5663570	PANNEAU COMMAND.3.24FF INITIA (5663570)	1,0000
153	SX5407660	COUVERCLE BRANCHE.ELECTRIQUE (5407660)	1,0000
154	SX5657840	CIRCUIT IMPRIME INECO MAW UNIVERSAL (5657840)	1,0000
154	SX5669060	CIRCUIT IMPRIME LMU 33 (5669060)	1,0000
154	SX5678250	CIRCUIT IMPRIME LMU33 VANN.SIT (5678250)	1,0000
157	SX5408460	PORTE BOITIER ELECTRIQUE (5408460)	1,0000
166	SX8421590	BORNIER DE RACCORDEMENT (PDM8421590)	1,0000
167	SX5405340	PORTE-FUSIBLES (x3) (PDM5405340)	1,0000
168	SX8421410	FUSIBLE 2A (x10) (PDM8421410)	1,0000
169	SX5656220	MANOMETRE AVEC SUPPORT (5656220)	1,0000
174	SX5408630	BOUTON POTENTIOMETRE LUNA (5408630)	1,0000
190	SX5404970	JOINT 3/8" (x10) (PDM5404970)	1,0000
191	SX5408970	JOINT G1/2" (5408970)	1,0000

INITIA

Repère	Référence	Désignation	Quantité
192	SX5404650	JOINT G3/4" 17x24x2 (X10) #	1,0000
197	SX9950380	JOINT DE BRIDE (9950380)	1,0000
215	SX5106570	COTE CHAMBRE DE COMBUSTION FF (5106570)	1,0000
236	SX5625310	DISCONNECTEUR CALEFFI DUO (PDM5625310)	1,0000
239	SX5404380	JOINT L=250 (5404380)	1,0000
252	SX8434550	SELECTEUR (x2) (8434550)	1,0000
274	SX8240550	ECROU M4 (8240550)	1,0000
276	SX1340440	CLIP (1340440)	1,0000
277	SX5630300	SUPPORT BRULEUR (5630300)	1,0000
286	SX8240530	ECROU (8240530)	1,0000
298	SX5621510	PANNEAU ARRIERE CHAMBRE ETANCHE (5621510)	1,0000
300	SX5404420	JOINT L=235mm (5404420)	1,0000
304	SX5208400	SUPPORT NOURRICE (5208400)	1,0000
305	SX5107430	PLAQUE EXTRACTEUR (5107430)	1,0000
310	SX5641850	PRESSOSTAT POMPE (5641850)	1,0000
314	SX8419750	CABLE ELECTRODES D'IONISATION (8419750)	1,0000
316	SX8380610	RESSORT FIX.MICRO (8380610)	1,0000
336	SX8380680	RESSORT FIX MOTEUR V3V	1,0000
337	SX5647340	MOTEUR V3V ELBI	1,0000
342	SX5641800	MICRO-INTERRUPTEUR V3V	1,0000
356	SX5634820	BOUCHON AVANT (GROUPE) (5634820)	1,0000
357	SX8380600	RESSORT SECURITE DEBIT D'EAU (8380600)	1,0000
358	SX5634830	BOUCHON PRESSOSTAT (5634830)	1,0000
365	SX5106530	TRAVERSE ARRIERE INFERIEURE	1,0000
366	SX5404370	JOINT L=665 (5404370)	1,0000
367	SX5404390	JOINT L=430 (5404390)	1,0000
368	SX5634290	SUPPORT BRULEUR (5634290)	1,0000
369	SX5404400	JOINT L=205 (5404390)	1,0000
370	SX5404410	JOINT L=655 (5404410)	1,0000
371	SX5663240	TUBE DISCONNECTEUR /CIRCUIT CHAUFFAGE	1,0000
373	SX5109080	FILTRE CHAUFFAGE (PDM5109080)	1,0000
375	SX5663030	TUBE BY-PASS (5663030)	1,0000
376	SX5400650	JOINT 13,94x2,62 (5400650)	1,0000
379	SX5206120	REDUCTION FM G 3/4-1/2 (5206120)	1,0000

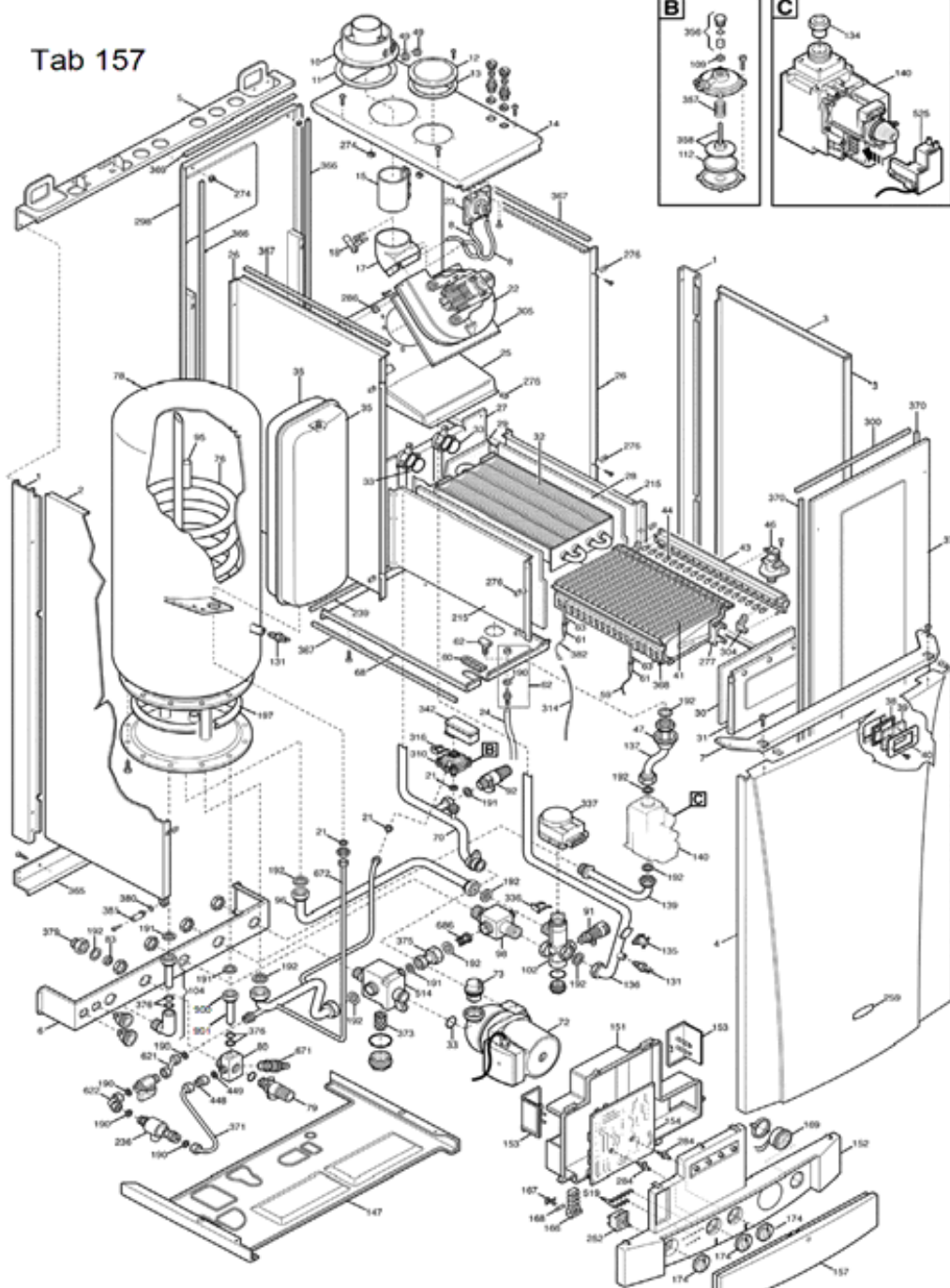
INITIA

Repère	Référence	Désignation	Quantité
380	SX5400620	JOINT 4,47x1,78 (5400620)	1,0000
381	SX5209830	PIVOT PANNEAU COMMANDE (5209830)	1,0000
382	SX8416860	CABLE ELECTRODES D'IONISATION (8416860)	1,0000
448	SX5209230	PORTE CLAPET ANTIRETOUR	1,0000
449	SX5640030	CLAPET ANTI RETOUR (5640030)	1,0000
514	SX5663010	RACCORD R.C/POMPE/FILTRE (5663010)	1,0000
519	SX5407780	LED (5407780)	1,0000
525	SX8419060	ALLUMEUR NAC-SIT (8419060)	1,0000
621	SX5663120	TUBE REMPLISSAGE /CHAUFFAGE (5663120)	1,0000
622	SX5622860	TUBE BALLON/DISCONNECTEUR	1,0000
627	SX8611750	CONFIGURATEUR 1.24 et DUO	1,0000
671	SX5646780	ROBINET DE VIDANGE (5646780)	1,0000
672	SX5663070	TUBE SORTIE SERP./RAC./PRES. (5663070)	1,0000
686	SX5663020	CLAPET ANTI-RETOUR (5663020)	1,0000
900	SX9950270	ECROU G 1/2	1,0000
901	SX5212080	TUBE D.14 E.S.	1,0000
999	SX8414620	CABLE M1 ALIM ELEC (8414620)	1,0000
999	SX8418860	CONNECTEUR PONT TIMER (8418860)	1,0000
999	SX8418950	CABLE M1 INTERUPTEUR (8418950)	1,0000
999	SX8419130	CABLE A4 POMPE-COMMUTATEUR	1,0000
999	SX8419280	CABLE PROGRAMMATEUR SANITAIRE	1,0000
999	SX8419840	CABLE A8 V3V	1,0000
999	SX8419850	CABLE A2 VENTILLATEUR-PRESSOSTAT	1,0000
999	SX8419860	CABLE A5 SONDE-VG-PRESSOSTAT	1,0000



INITIA DUO FF

N° 1381	CPN437243090	INITIA DUO 3.24 FF	Tab 157
---------	--------------	--------------------	---------



INITIA

