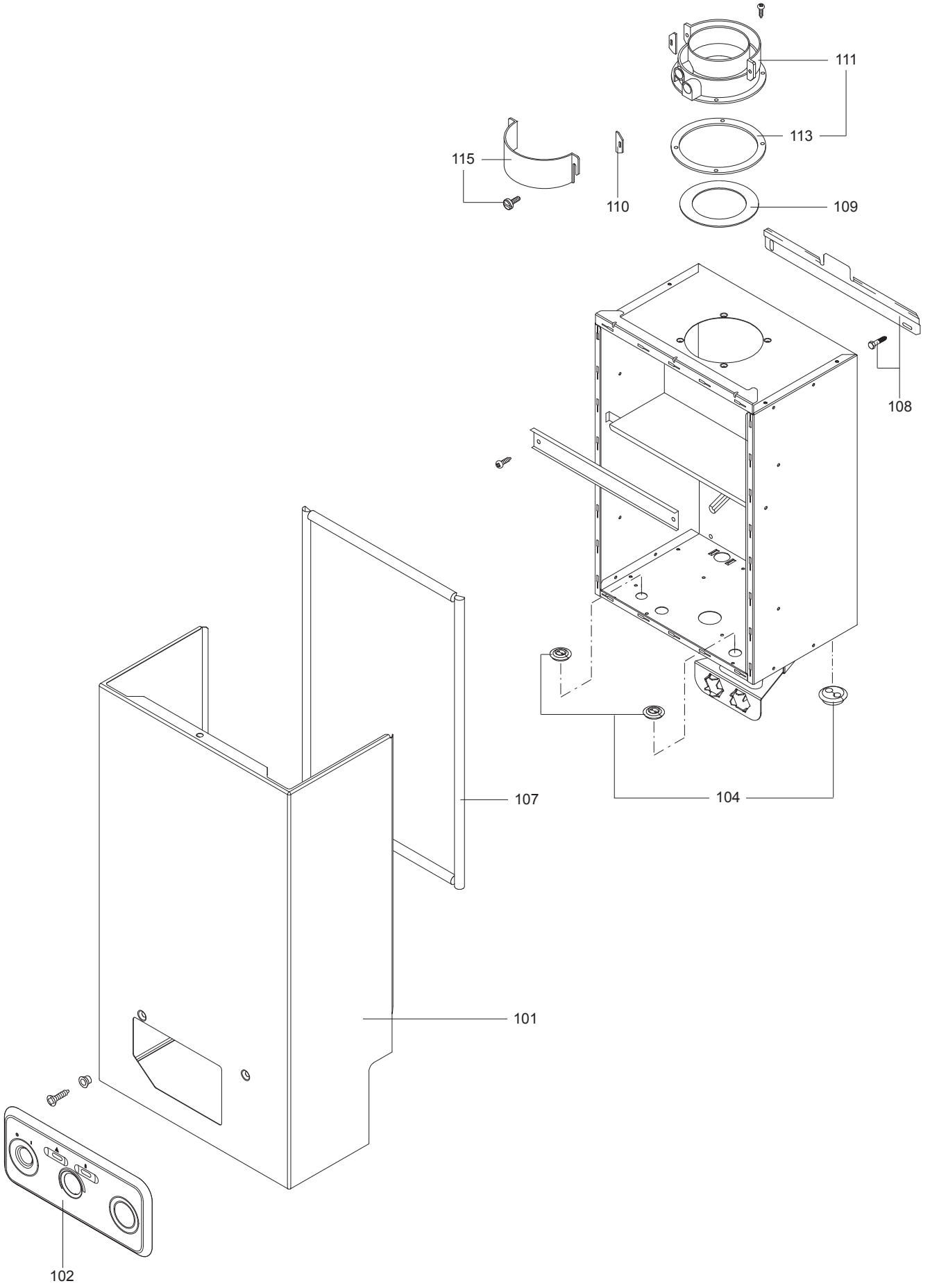


SPARE PARTS EXPLODED VIEW
 INSTANTANEOUS GAS WATER HEATERS
 Model
FLUENDO FACILE FR/BE

R8216639-10 - 27/01/2017

1	3310143	FLUENDO FACILE 10 SF NG FR	12-2010	03-2012
1	3310144	FLUENDO FACILE 10 SF LPG FR	12-2010	03-2012
1	3310189	FLUENDO FACILE 10 SF NG FR K	03-2011	03-2016
1	3310190	FLUENDO FACILE 10 SF LPG FR K	03-2011	03-2016
1	3310193	FLUENDO FACILE 10 SF NG BE K	03-2011	03-2016
1	3310194	FLUENDO FACILE 10 SF LPG BE K	03-2011	03-2016
2	3310145	FLUENDO FACILE 13 SF NG FR	12-2010	03-2012
2	3310146	FLUENDO FACILE 13 SF LPG FR	11-2010	03-2012
2	3310191	FLUENDO FACILE 13 SF NG FR K	03-2011	03-2016
2	3310192	FLUENDO FACILE 13 SF LPG FR K	03-2011	03-2016
2	3310195	FLUENDO FACILE 13 SF NG BE K	03-2011	03-2016
2	3310196	FLUENDO FACILE 13 SF LPG BE K	03-2011	03-2016
Col	Reference	Model type	Begin	End



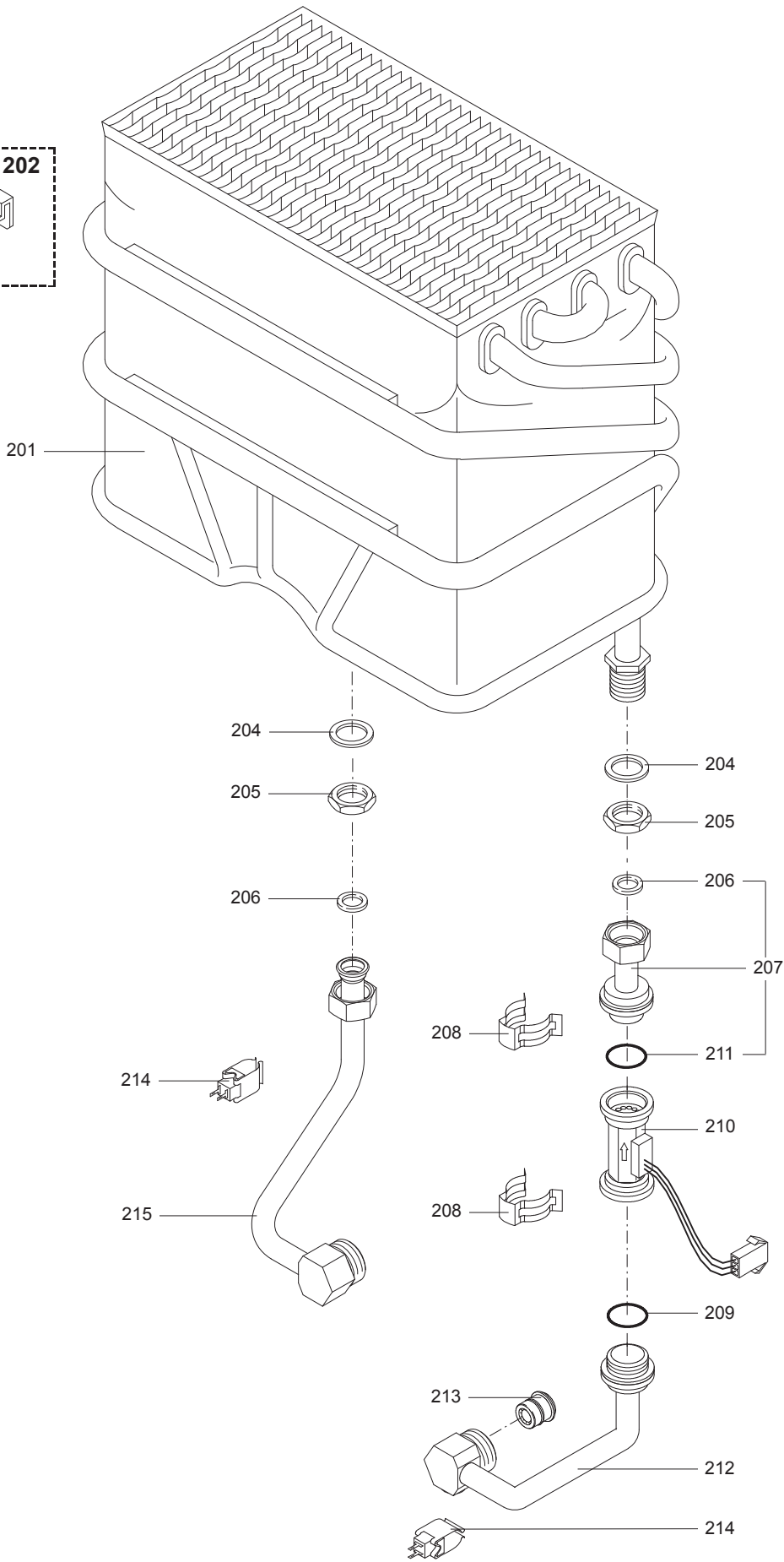
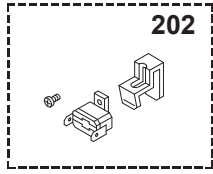
FLUENDO FACILE 10
FLUENDO FACILE 13

31

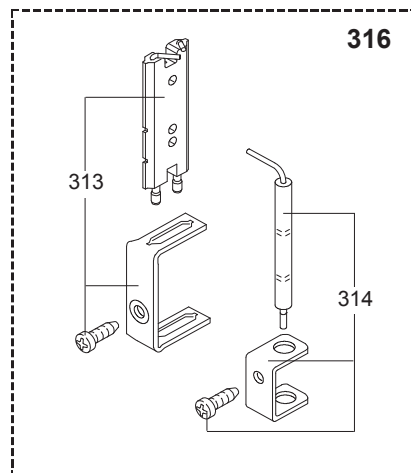
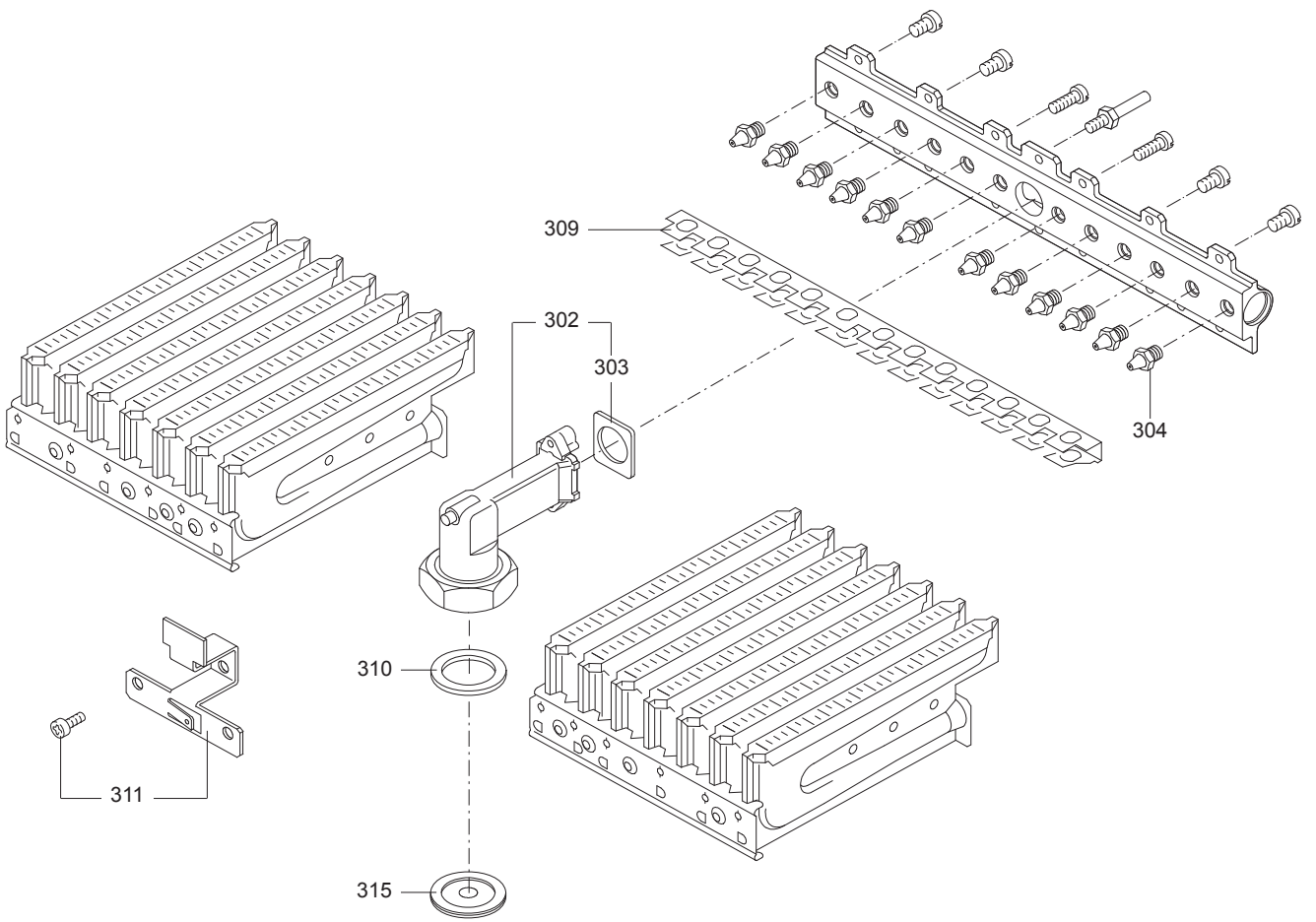
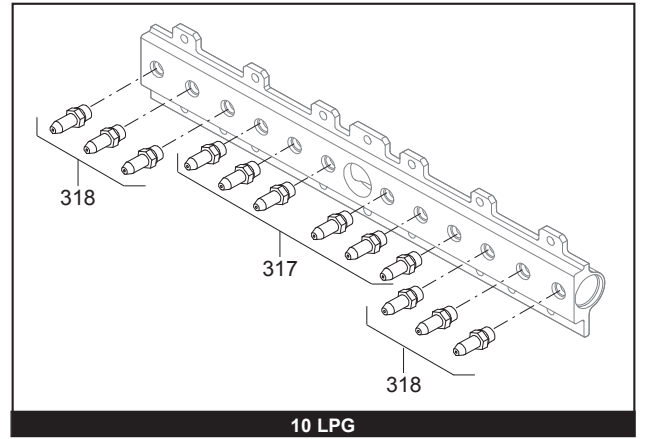
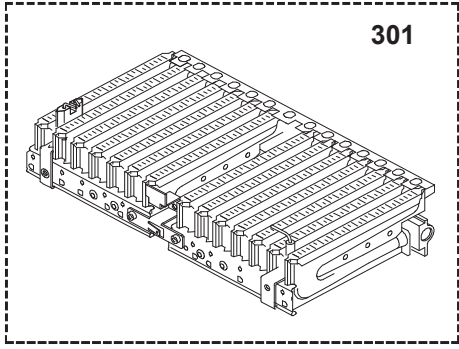
⑦	Description	Manf. Pt. N	Type	From to																	
				1	2	3	4	5	6	7	8	9	10	11	12	13	14	15	16	17	18
0100	CHASSIS-FRONT CASE																				
0101	FRONT SHELL	65111074		●																	
	FRONT SHELL	65111075			●																
0102	SHIELD	65111059		●	●																
0104	SEALINGS	65111045		●	●																
0107	SEALINGS	65111067		●	●																
0108	FIXING BRACKET	998193		●	●																
0109	THROTTLE DISC SET 76,78,80,83,86	65111050		●	●																
0110	GASKET	65111118		●	●																
0111	ADAPTER 80/110	65111128		●	●																
0113	GASKET	65111127		●	●																
0115	CLAMP FOR ADAPTER 80/110	65111119		●	●																

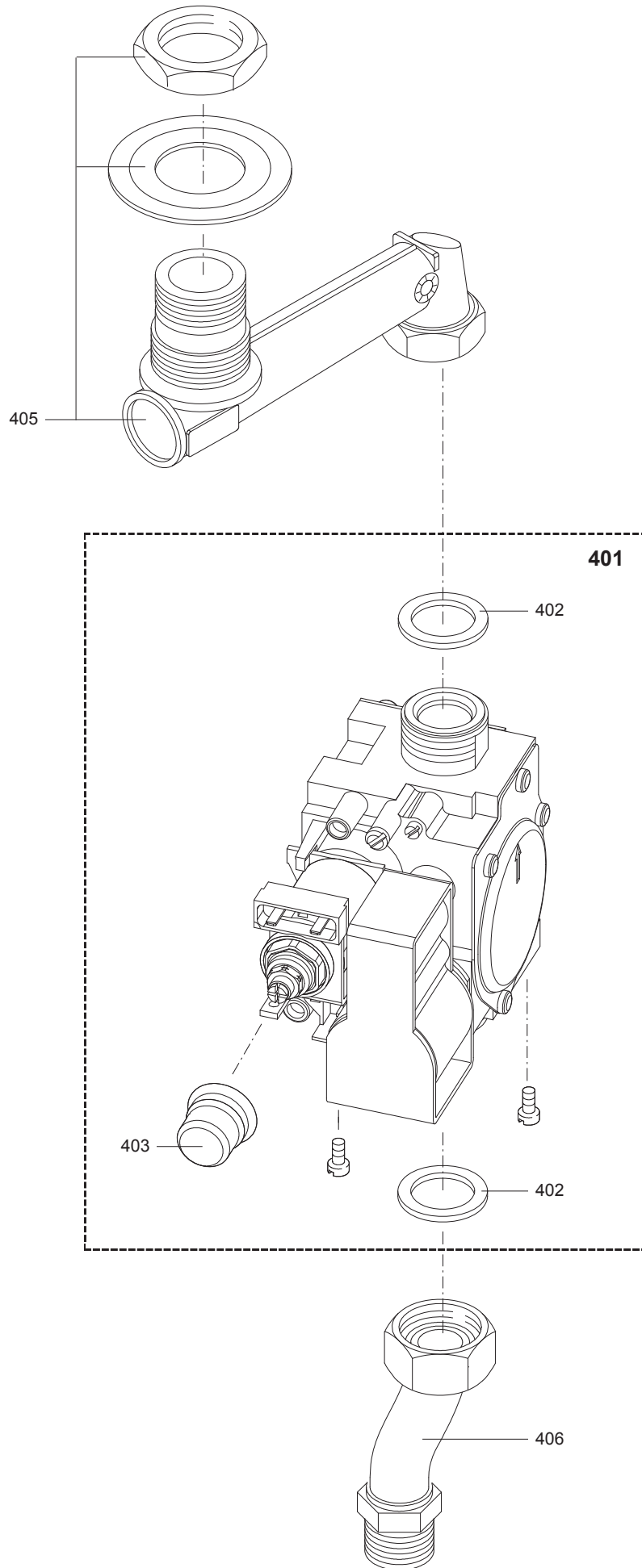
FLUENDO FACILE

Instantaneous Gas Water Heaters



⊖⇒	Description	Manf. Pt. N	Type	<div style="display: flex; justify-content: space-between;"> FLUENDO FACILE 10 FLUENDO FACILE 13 </div>																		<div style="display: flex; align-items: center;"> <div style="border: 1px solid black; padding: 2px;">31</div> <div style="margin-left: 10px;">From to</div> </div>	
				1	2	3	4	5	6	7	8	9	10	11	12	13	14	15	16	17	18	From	to
0200	SEALED CASE																						
0201	HEAT EXCHANGER BODY	998196		•																			
	HEAT EXCHANGER BODY	998197			•																		
0202	OVERHEAT SENSOR (ECO)	65111051		•	•															11/11			
	OVERHEAT SENSOR (ECO)	65116313		•	•														12/11				
0204	GASKET	65111037		•	•																		
0205	NUT	65111041		•	•																		
0206	GASKET 1/2"	65111034		•	•																		
0207	PIPE	65111061		•	•																		
0208	CLAMP SPRING	65111042		•	•																		
0209	O-RING	65111039		•	•																		
0210	TURBINE	65111077		•	•																		
0211	O-RING	65111040		•	•																		
0212	COLD WATER PIPE	65111065		•	•																		
0213	FLOW LIMITER 8 L/MIN	65111126		•																			
	FLOW LIMITER BLUE 10 L/MIN	65111125			•																		
0214	TEMPERATURE SENSOR	65111116		•	•																		
0215	CONNECTING PIPE HOT	65111062		•	•																		

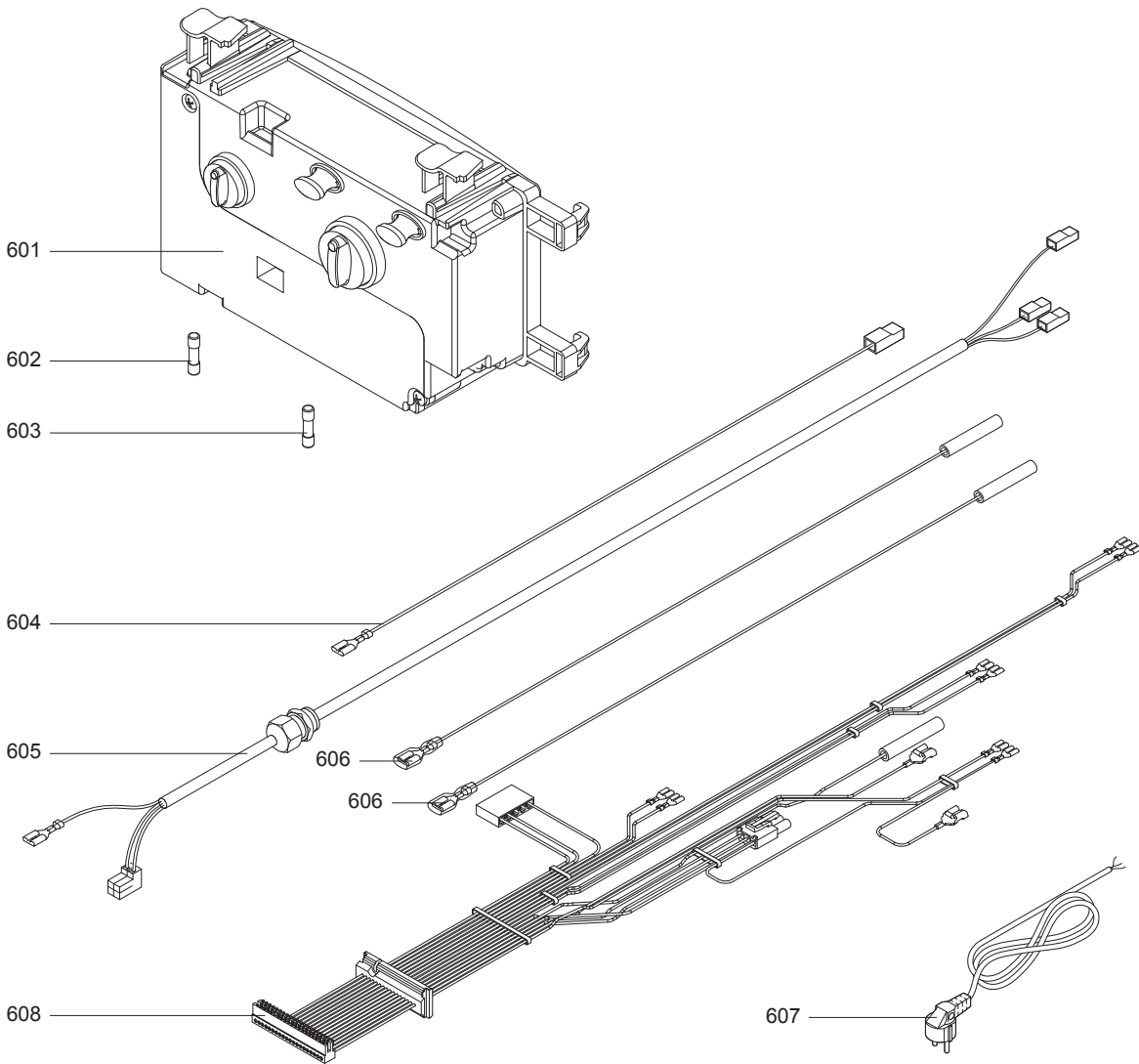
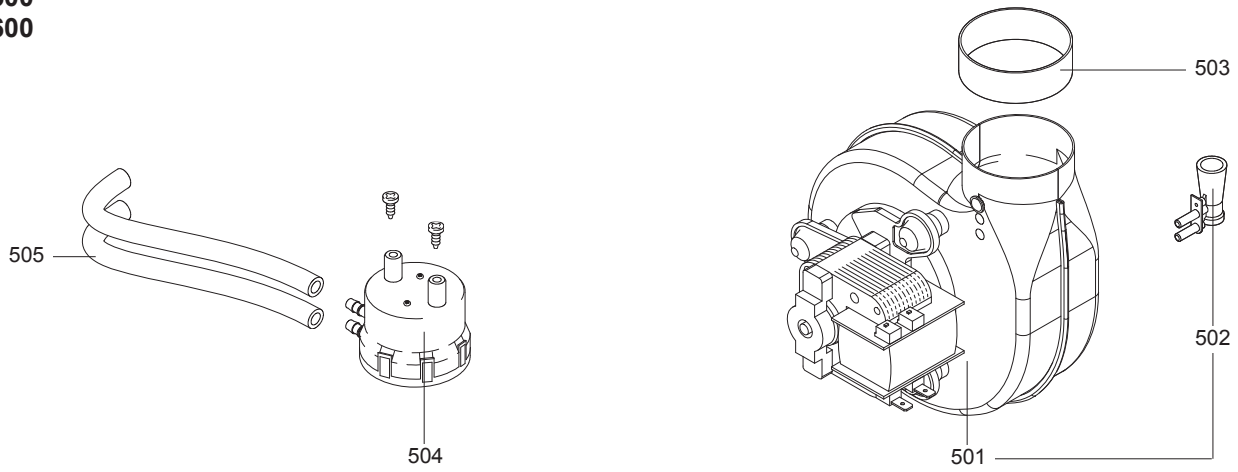




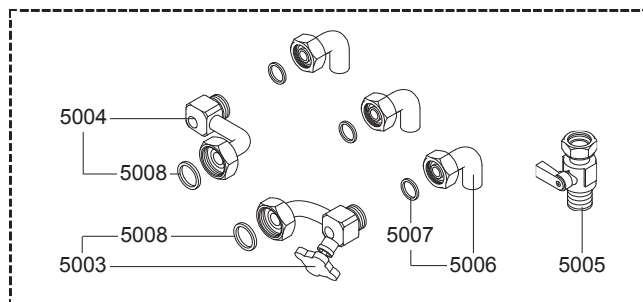
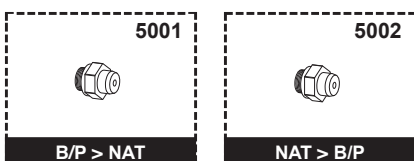
500
600

FLUENDO FACILE

Instantaneous Gas Water Heaters



5000



FLUENDO FACILE 10
 FLUENDO FACILE 13


31

Description	Manf. Pt. N	Type																			From	to					
			1	2	3	4	5	6	7	8	9	10	11	12	13	14	15	16	17	18							
0500 FAN ASSEMBLY																											
0501 CENTRIFUGAL BLOWER	65111073			●	●																						
0502 DIFFERENTIAL PRESSURE LINE	65111052			●	●																						
0503 AFDICHTRING RGA	65111047			●	●																						
0504 PRESSURE SWITCH	572358			●	●																						08/15
0504 PRESSURE SWITCH	572358-01			●	●																						09/15
0505 CONNECTION PIPE (PRESSURE SWITCH)	572357			●	●																						
0600 ELECTRICAL BOX																											
0601 CONTROL UNIT	65111078			●	●																						08/15
0601 CONTROL UNIT	65116400			●	●																						09/15
0602 FUSE T1,25A	65111038			●	●																						
0603 FUSE T2A	65111036			●	●																						
0604 CABLE	65111046			●	●																						
0605 CABLE	65111064			●	●																						
0606 IGNITION CABLE	65111049			●	●																						
0607 CABLE (POWER SUPPLY)	65111055			●	●																						08/15
0607 CABLE (POWER SUPPLY)	65116399			●	●																						09/15
0608 CABLES 24V	65111068			●	●																						08/15
0608 CABLES 24V	65116401			●	●																						09/15
5000 ACCESSORIES																											
5001 CONVERSION KIT TO NATURAL GAS	65111375			●																							
5001 CONVERSION KIT TO NATURAL GAS	65111377			●	●																						
5002 CONVERSION KIT TO LPG	65111374			●																							
5002 CONVERSION KIT TO LPG	65111376			●	●																						
5003 COLD WATER PART	65112140			●	●																						
5004 HOT WATER PART	65112141			●	●																						
5005 GAS CONNECTION	65112142			●	●																						
5006 CONNECTION	65112143			●	●																						
5007 GASKET 1/2"	65111034			●	●																						
5008 GASKET 3/4"	65111035			●	●																						

FLUENDO FACILE

Instantaneous Gas Water Heaters

LIST OF THE ABBREVIATIONS

HW	: Hot water.
CW	: Cold water.
C	: Ceramic resistance (normal heating).
Ca	: Ceramic resistance (accelerated heating)
TP	: Immersion heater.
1F	: With fittings.
2F	: Without fittings.
3F	: With fittings and another outlet connection.
AMI	: With mixing valve.
SMI	: Without mixing valve.
PUISS	: Power of th appliance.
PN	: Appliance with normal pression.
LP	: Appliance with low pression.
PV	: Appliance with variable power.
PF	: Appliance with fixed power.

IDENTIFICATION PLATE

SERIAL NUMBER

5 Characters :	FD 8 61 (from 01/98 to 12/99)	Month of manufacture : from 61 to 72 → January to December
		Year of manufacture : 8 → 1998
		9 → 1999
	OR	
5 Characters :	FD 0 81 (from 01/00)	Month of manufacture : from 81 to 92 → January to December
		Year of manufacture : 0 → 2000
		1 → 2001
		2 → 2002
		etc ...
6 Characters :	FD 83 05	Month of manufacture
		Year of manufacture : 83 → 2003
		84 → 2004

The indications mentioned on the prices, commercial or technical literature and the scheme are written for your guidance and are available at a given time. The CONSTRUCTOR retains the power to modify the presentation, the form, the size, the conception or the material of the products.