

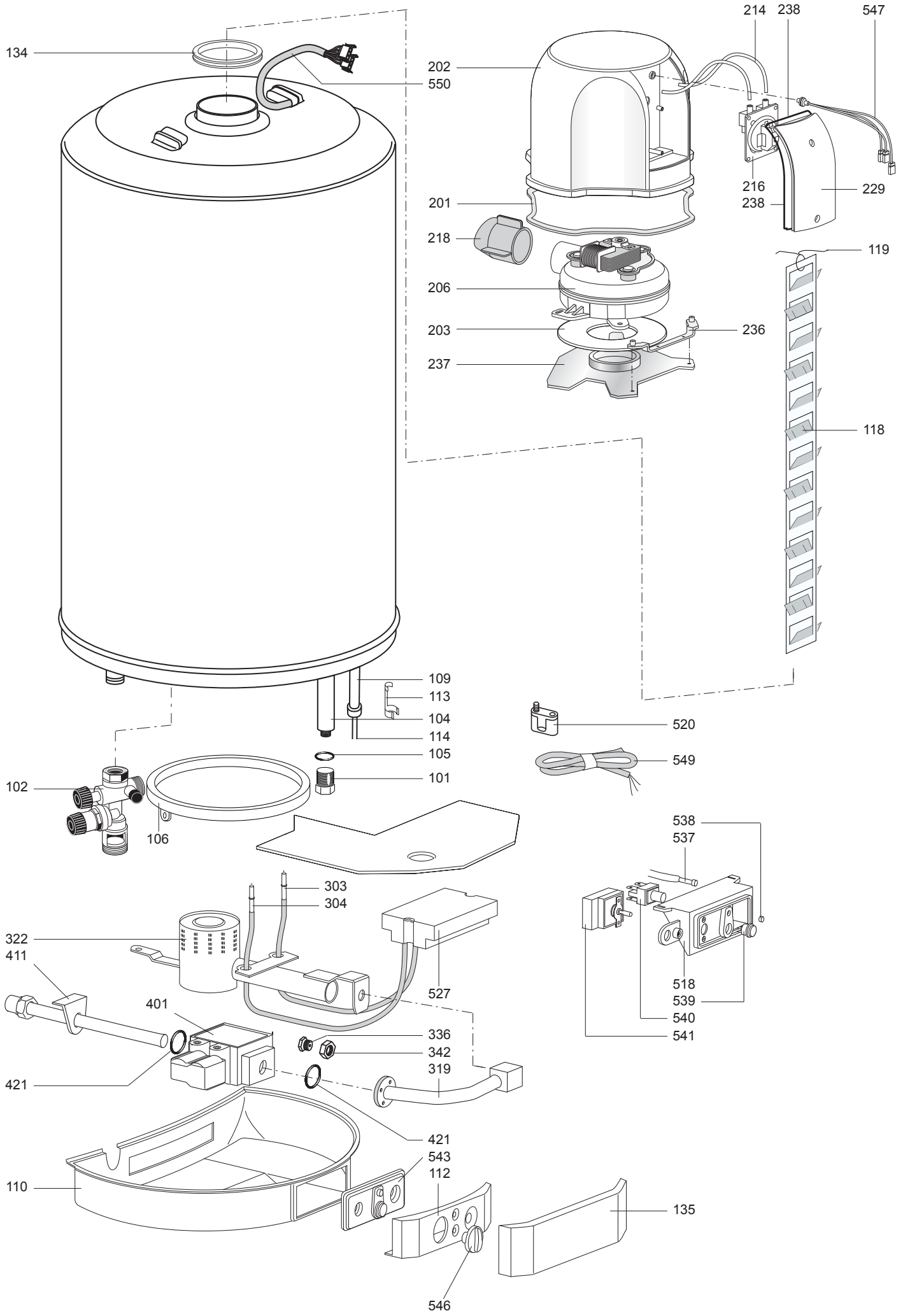
# SPARE PARTS EXPLODED VIEW STORAGE GAS WATER HEATERS

Model

**FFI-E**

R8215880-04 - 27/04/2012

1	007329	80V FFI-E C&M	07-2003	01-2009
2	007330	100V FFI-E C&M	07-2003	01-2009
3	007331	120V FFI-E C&M	07-2003	08-2004
Col	Reference	Model type	Begin	End



☺⇒	Description	Manf. Pt. N	Type																			
				1	2	3	4	5	6	7	8	9	10	11	12	13	14	15	16	17	18	

<b>0100 FRONT CASE</b>																					
0101 ANODE PLUG	230514			•	•	•															
PLUG	230537			•	•	•															02/05
0102 SAFETY VALVE	230213			•	•	•															03/05
0104 ANODE D:21,3 L:430 M5-M8	61402252-01			•	•	•															
0105 O-RING	289442			•	•	•															03/05
0106 CONDENSE TRAY	336182			•	•	•															
0109 SHEATH	123516					•															
0110 BOTTOM PLASTIC COVER	65105223			•	•	•															
0112 CONTROL PANEL	65102389			•	•	•															
0113 SPRING (PROBE CLAMP)	290356			•	•	•															
0114 THERMOSTAT (SAFETY - ECO 92Â°C)	996597			•	•	•															
0118 FLUE BAFFLE	65102524			•	•	•															
0119 SPRING (FLUE BAFFLE SUPPORT)	290450			•	•																
0134 FLUE PIPE GASKET	290135			•	•	•															
0135 COVER PROTECTION	996592			•	•	•															
<b>0200 FAN ASSEMBLY</b>																					
0201 GASKET (FLUE HOOD)	65102528			•	•	•															
0202 FLUE HOOD	65102522			•	•	•															
0203 INSULATION (FAN)	65102527			•	•	•															
0206 FAN	65102530			•	•	•															
0214 COMPENSATION TUBE	573576			•	•	•															
0216 AIR PRESSURE SWITCH	65102519			•	•	•															
0218 ELBOW (FAN)	65102526			•	•	•															
0229 COVER (FLUE HOOD)	65102520			•	•	•															
0236 SUPPORT BRACKET (FAN)	65102521			•	•	•															
0237 FAN MOTOR BASE	65102525			•	•	•															
0238 GASKET (FLUE HOOD COVER)	65102012			•	•	•															
<b>0300 BURNER HEAD</b>																					
0303 LECTRODE (DETECTION)	65100342			•	•	•															
0304 ELECTRODE (IGNITION)	65100343			•	•	•															
0319 PIPE (GAS VALVE BURNER)	996582			•	•	•															
0322 BURNER	996600			•	•	•															
0336 BURNER JET (LG)	996607		LG	•	•	•															
BURNER JET (NG)	290790		NG	•	•	•															
0342 NUT	240151			•	•	•															
<b>0400 GAS SECTION</b>																					
0401 GAS VALVE	990772			•	•	•															
0411 PIPE HOLDER	220638			•	•	•															
0421 O-RING GASKET	290147			•	•	•															
<b>0500 ELECTRICAL BOX</b>																					
0518 CONTROL SUPPORT	65102391			•	•	•															
0520 CABLE CLAMP	211527			•	•	•															
0527 SCHEDA CB3	65101682			•	•	•															
0537 SIGNAL LAMP	210130			•	•	•															
0538 SIGNAL LAMP CAP	210131			•	•	•															11/05
SIGNAL LAMP CAP	65103144			•	•	•															12/05
0539 PUSH BUTTON (3A 250V)	996583			•	•	•															
0540 SWITCH	212007			•	•	•															11/05
SWITCH	65103145			•	•	•															12/05
0541 THERMOSTAT (REGOLATION)	65102080			•	•	•															
0543 CONTROL PROTECTION	996593			•	•	•															
0546 CONTROL KNOB	65102390			•	•	•															
0547 LOW PRESSURE SWITCH WIRING	65105248			•	•	•															
0549 CABLE (POWER SUPPLY)	65100312			•	•	•															
0550 WIRING	65102532			•																	
WIRING	65102536				•																
WIRING	65102537					•															

## LIST OF THE ABBREVIATIONS

HW .....	: Hot water.
CW .....	: Cold water.
C .....	: Ceramic resistance (normal heating).
Ca .....	: Ceramic resistance (accelerated heating)
TP .....	: Immersion heater.
1F .....	: With fittings.
2F .....	: Without fittings.
3F .....	: With fittings and another outlet connection.
AMI .....	: With mixing valve.
SMI .....	: Without mixing valve.
PUISS .....	: Power of th appliance.
PN .....	: Appliance with normal pression.
LP .....	: Appliance with low pression.
PV .....	: Appliance with variable power.
PF .....	: Appliance with fixed power.

## IDENTIFICATION PLATE

### SERIAL NUMBER

**6 Characters :**  
Year of manufacture \_\_\_\_\_ 03 09 08 \_\_\_\_\_ Manufacturing day  
Month of manufacture

**9 Characters :**  
Year of manufacture \_\_\_\_\_ 5 9 12 0606 \_\_\_\_\_ Sequential number  
Month of manufacture

#### 14 Characters :

SI-V-0B0 45 07 0001 \_\_\_\_\_  
Sequential number  
Year of manufacture : \_\_\_\_\_ 6 → 2004  
Month of manufacture : → 25 → January 43 → July 7 → 2005  
13 → February 29 → August 8 → 2006  
32 → March 40 → September etc ...  
35 → April 38 → October  
39 → May 51 → November  
45 → June 12 → December

**15 Characters :**  
Year of manufacture \_\_\_\_\_ 02 11 00001 007843 \_\_\_\_\_ Code appareil  
Month of manufacture \_\_\_\_\_ Sequential number

**21 Characters :**  
Product reference \_\_\_\_\_ 3200050 XX 08115 0000001 \_\_\_\_\_ Sequential number  
Year (08) / Manufacturing day (115)

**22 Characters :**  
Product reference \_\_\_\_\_ 3200050 XX 070115 0000001 \_\_\_\_\_ Sequential number  
Year (07) / Month (01) / Manufacturing day (15)

The indications mentioned on the prices, commercial or technical literature and the scheme are written for your guidance and are available at a given time. The CONSTRUCTOR retains the power to modify the presentation, the form, the size, the conception or the material of the products. 1.