



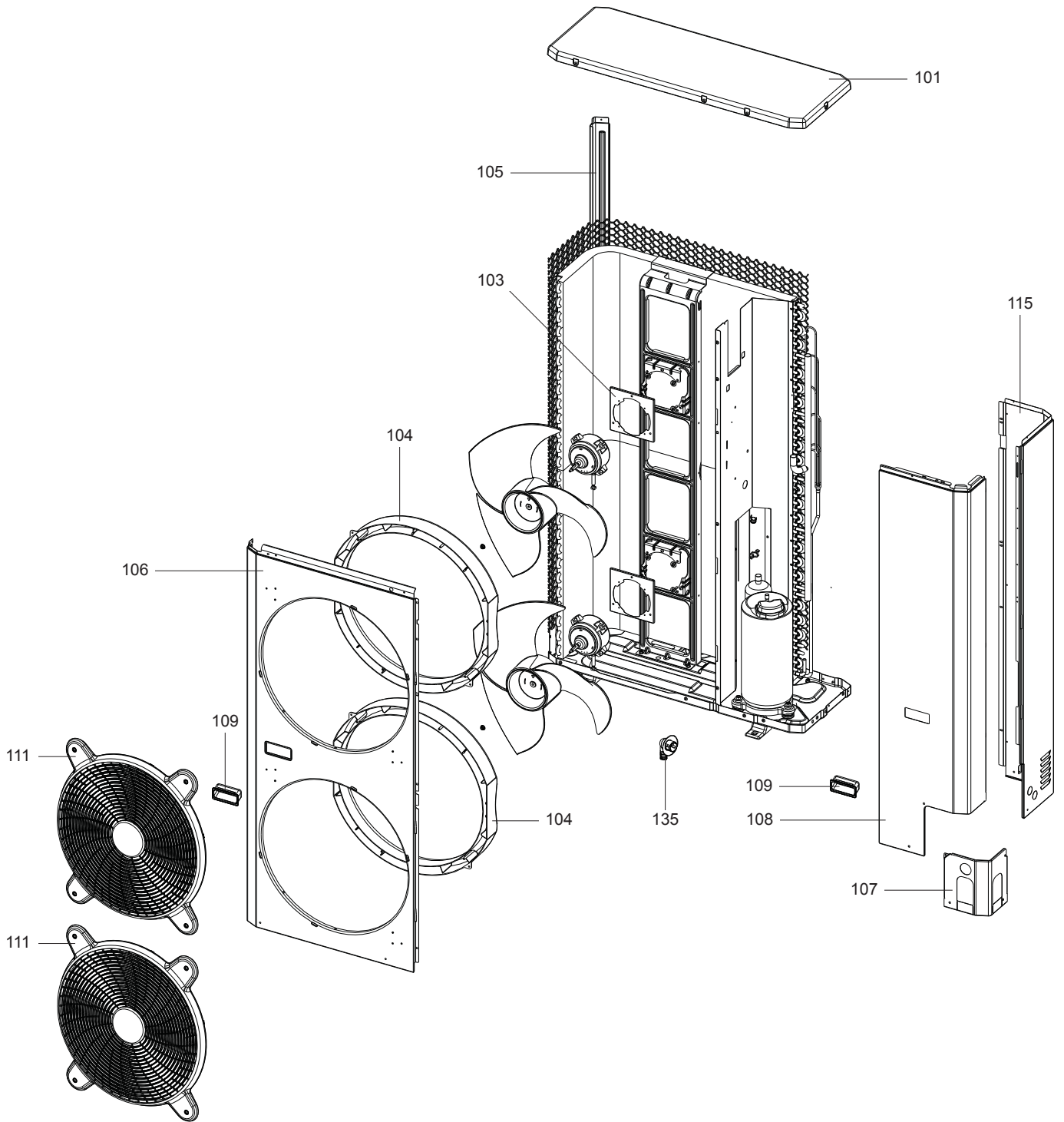
# SPARE PARTS EXPLODED VIEW HEAT PUMPS

Model

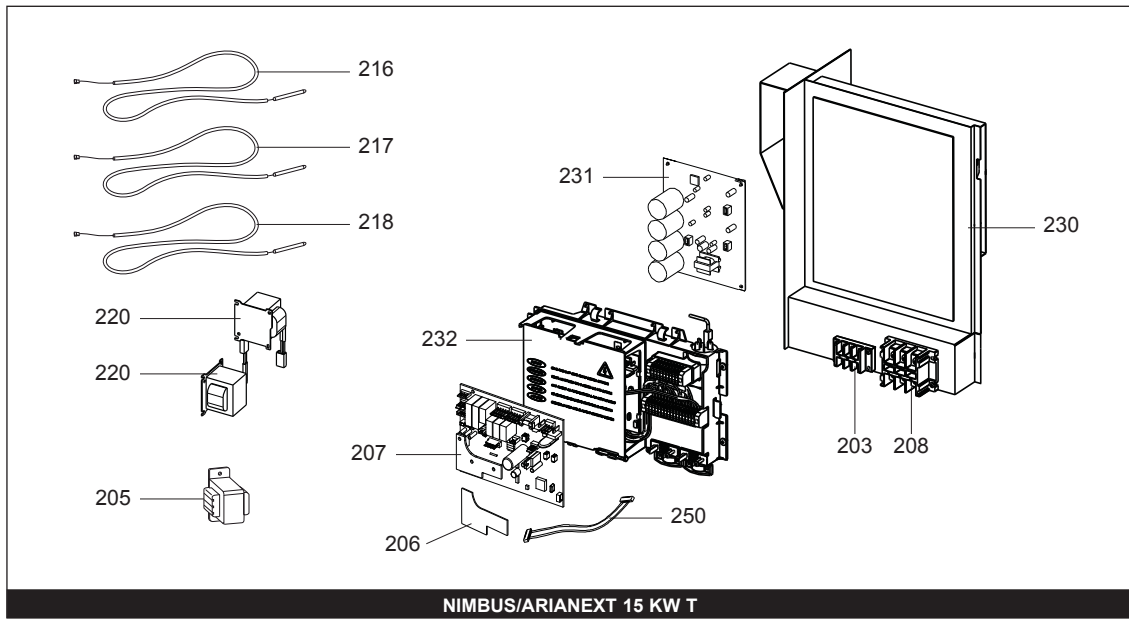
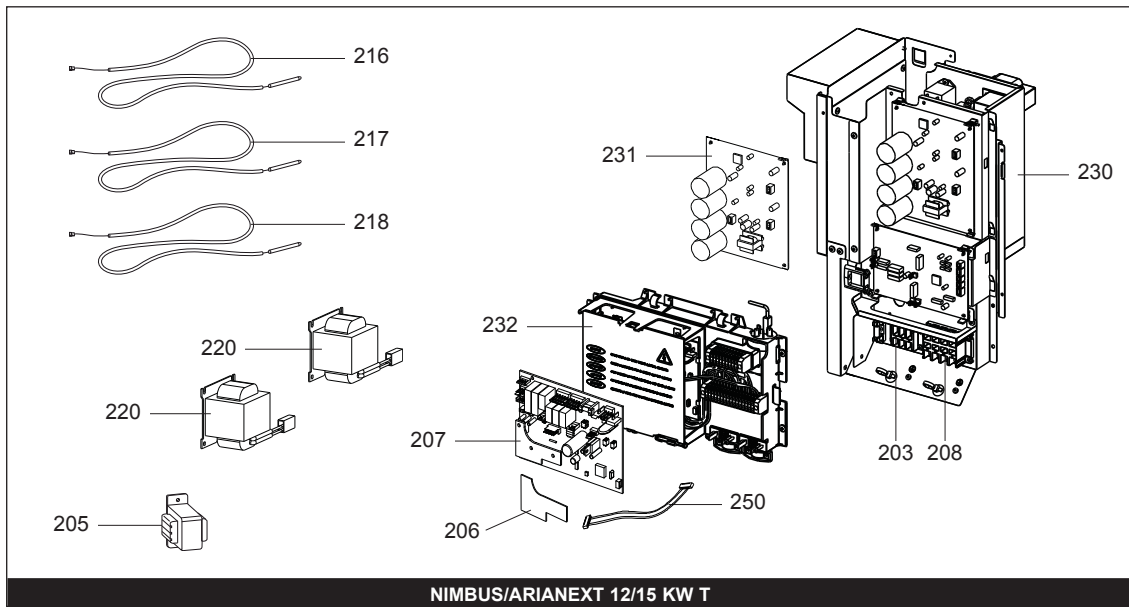
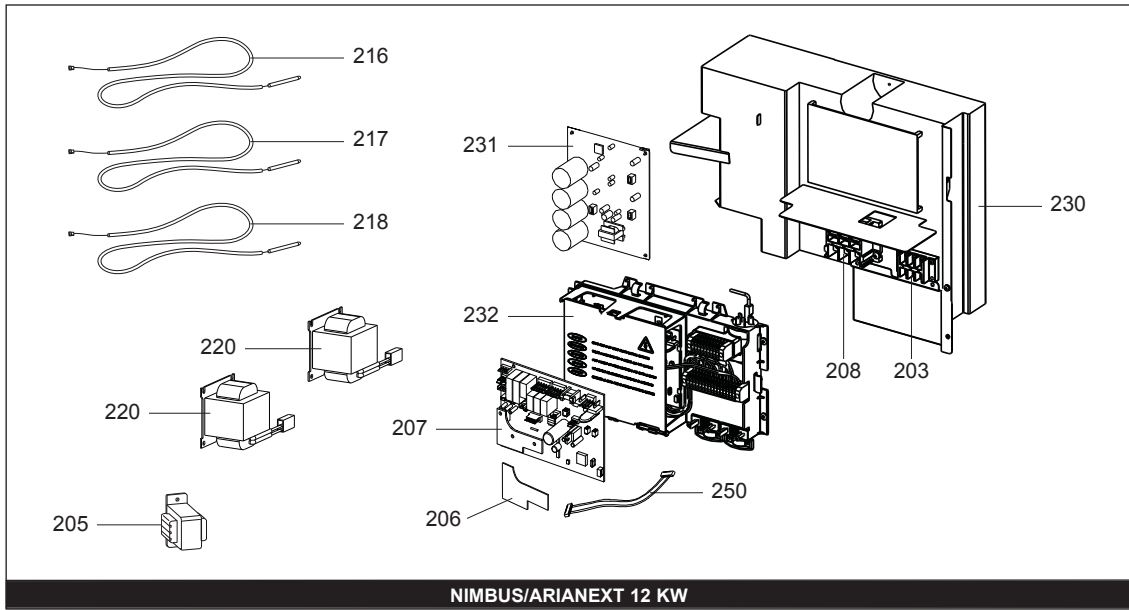
## NIMBUS/ARIANEXT EXTERNAL 12-15

R8217231-05 - 10/09/2018

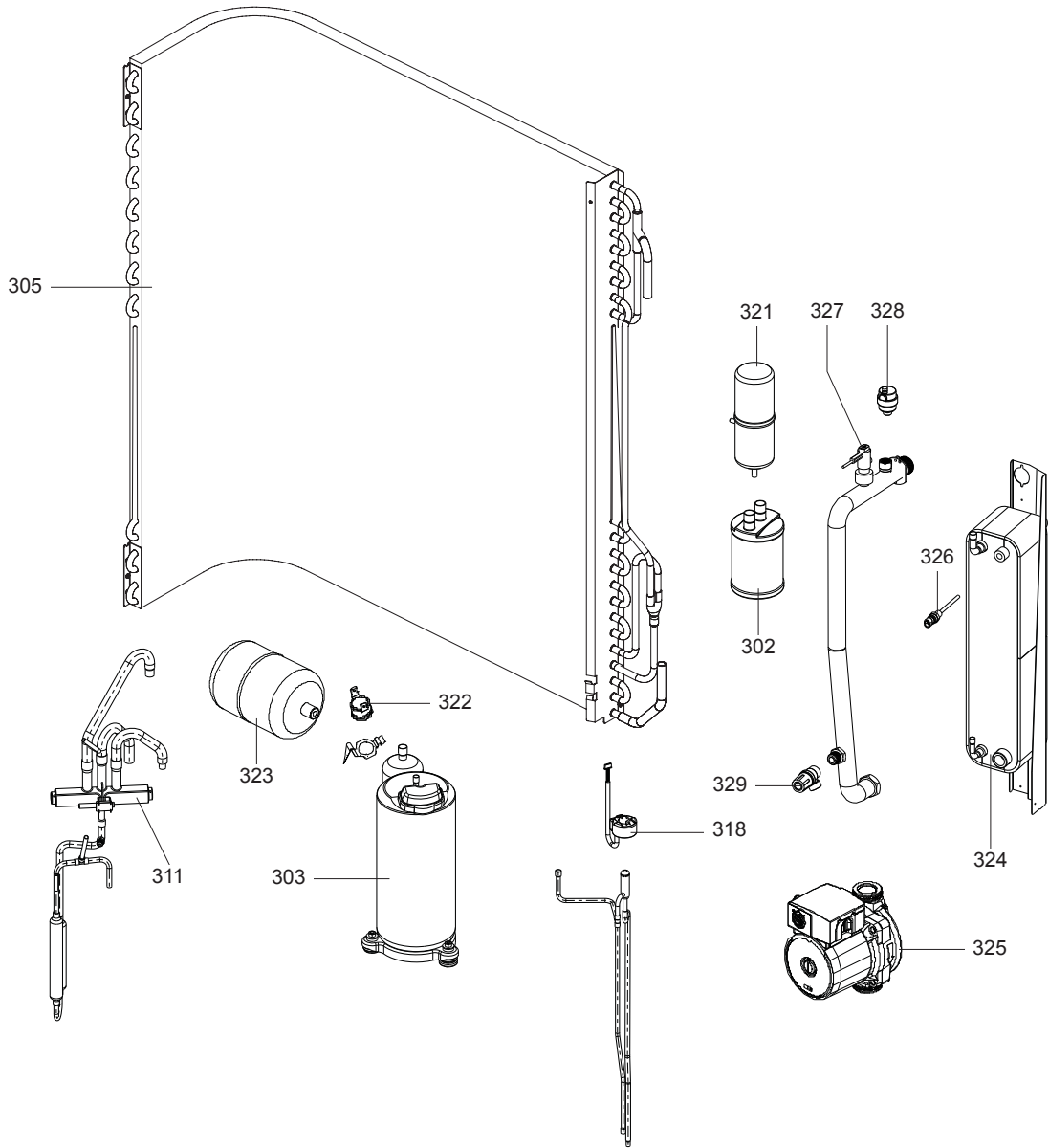
1	3300601	NIMBUS EXTERNAL UNIT 12 KW	08-2015	08-2017
2	3086052	ARIANEXT EXTERNAL UNIT 12 KW	08-2015	08-2017
3	3300603	NIMBUS EXTERNAL UNIT 12 KW T	08-2015	08-2017
4	3310333	ARIANEXT EXTERNAL UNIT 12 KW T	08-2015	08-2017
5	3300602	NIMBUS EXTERNAL UNIT 15 KW	08-2015	08-2017
6	3086056	ARIANEXT EXTERNAL UNIT 15 KW	08-2015	08-2017
7	3300604	NIMBUS EXTERNAL UNIT 15 KW T	08-2015	08-2017
8	3310334	ARIANEXT EXTERNAL UNIT 15 KW T	08-2015	08-2017
Col	Reference	Model type	Begin	End



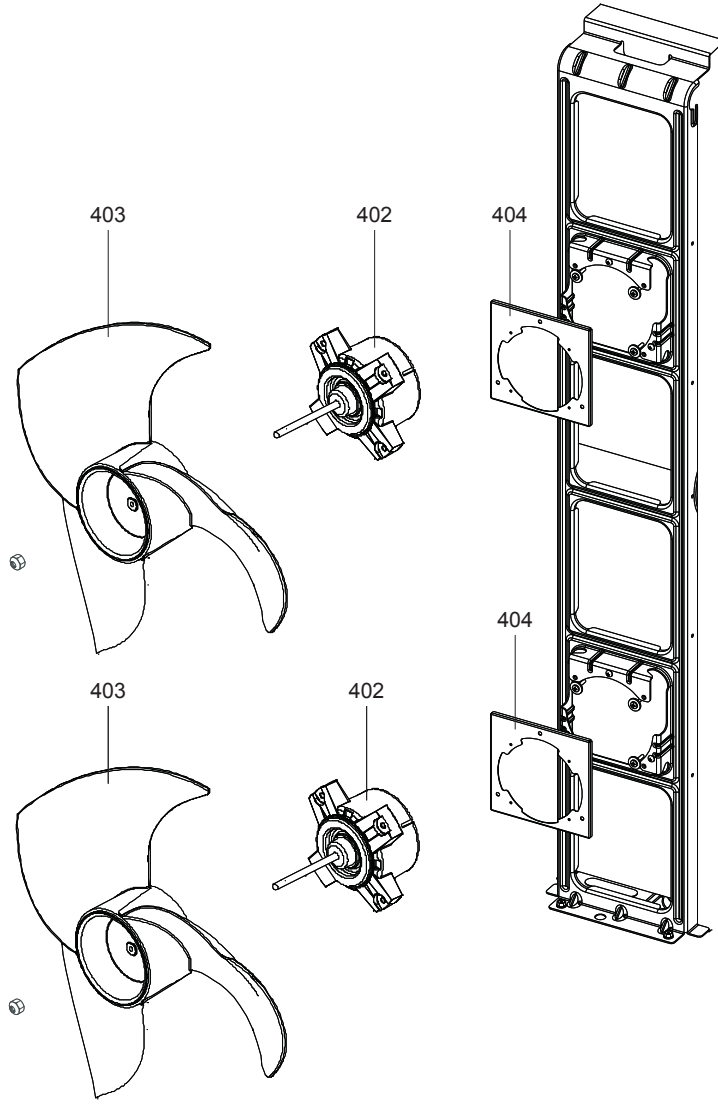




☉	Description	Manf. Pt. N	Type																				
				1	2	3	4	5	6	7	8	9	10	11	12	13	14	15	16	17	18	From	to
0200	ELECTRICAL BOX																						
0203	TERMINAL BOARD 6P-20A	65112756		●	●	●	●	●	●	●	●												
0205	TRASFORMER	65114652		●	●	●	●	●	●	●	●												
0206	COMMUNICATION BOARD	65116413		●	●	●	●	●	●	●	●												
0207	P.C.B. (MAIN)	65112735		●	●	●	●	●	●	●	●												
0208	TERMINAL BOARD 3P-20A	65115224		●	●	●	●																
	TERMINAL BOARD 3P-60A	65112761						●	●	●	●												
0216	TUBE SENSOR	65112749	TD	●	●	●	●																
	TUBE SENSOR	65112749	TO - IL					●	●	●	●												
0217	ROOM/TUBE SENSOR	65112753	TE TS TO	●	●	●	●	●	●	●	●												
0218	TUBE SENSOR	65112755	TFO	●	●	●	●																
	TUBE SENSOR	65112755	TR					●	●	●	●												
0220	REACTOR	65112731		●	●			●	●														
	REACTOR	65115210				●	●			●	●												
0230	INVERTER BOX ASSY	65112760		●	●																		
	INVERTER BOX ASSY	65115208				●	●			●	●												
	INVERTER BOX ASSY	65115209						●	●														
0231	P.C.B. (INVERTER)	65118151		●	●	●	●	●	●	●	●												
0232	P.C.B. (MAIN) BOX ASSEMBLY	65115213				●	●			●	●												
	P.C.B. (MAIN) BOX ASSEMBLY	65115214		●	●			●	●														
0250	WIRING KIT (WHITE, BLUE + CONNECTORS)	65116907		●	●	●	●	●	●	●	●												









☺ →	Description	Manf. Pt. N	Type	<table border="1"> <tr> <td>NIMBUS 12 KW</td> <td>ARIANEXT 12 KW</td> <td>NIMBUS 12 KW T</td> <td>ARIANEXT 12 KW T</td> <td>NIMBUS 15 KW</td> <td>ARIANEXT 15 KW</td> <td>NIMBUS 15 KW T</td> <td>ARIANEXT 15 KW T</td> <td></td> <td></td> <td></td> <td></td> <td></td> <td></td> <td></td> <td></td> <td></td> <td></td> <td></td> <td></td> </tr> </table>																		NIMBUS 12 KW	ARIANEXT 12 KW	NIMBUS 12 KW T	ARIANEXT 12 KW T	NIMBUS 15 KW	ARIANEXT 15 KW	NIMBUS 15 KW T	ARIANEXT 15 KW T													<table border="1"> <tr> <td><b>31</b></td> <td></td> </tr> </table>		<b>31</b>	
				NIMBUS 12 KW	ARIANEXT 12 KW	NIMBUS 12 KW T	ARIANEXT 12 KW T	NIMBUS 15 KW	ARIANEXT 15 KW	NIMBUS 15 KW T	ARIANEXT 15 KW T																																		
<b>31</b>																																													
1 2 3 4 5 6 7 8 9 10 11 12 13 14 15 16 17 18 From to																																													
0400	FAN GROUP																																												
0402	FAN MOTOR	65112693		•	•																																								
	FAN MOTOR	65112694				•	•	•	•	•	•	•	•																																
0403	FAN	65112696		•	•	•	•	•	•	•	•	•	•																																
0404	FAN MOTOR FLANGE	65112746						•	•	•	•																																		

---

## LIST OF THE ABBREVIATIONS

HW .....	: Hot water.
CW .....	: Cold water.
C .....	: Ceramic resistance (normal heating).
Ca .....	: Ceramic resistance (accelerated heating)
TP .....	: Immersion heater.
1F .....	: With fittings.
2F .....	: Without fittings.
3F .....	: With fittings and another outlet connection.
AMI .....	: With mixing valve.
SMI .....	: Without mixing valve.
PUISS .....	: Power of th appliance.
PN .....	: Appliance with normal pression.
LP .....	: Appliance with low pression.
PV .....	: Appliance with variable power.
PF .....	: Appliance with fixed power.

---

The indications mentioned on the prices, commercial or technical literature and the scheme are written for your guidance and are available at a given time. The CONSTRUCTOR retains the power to modify the presentation, the form, the size, or the conception or the material of the products.

---