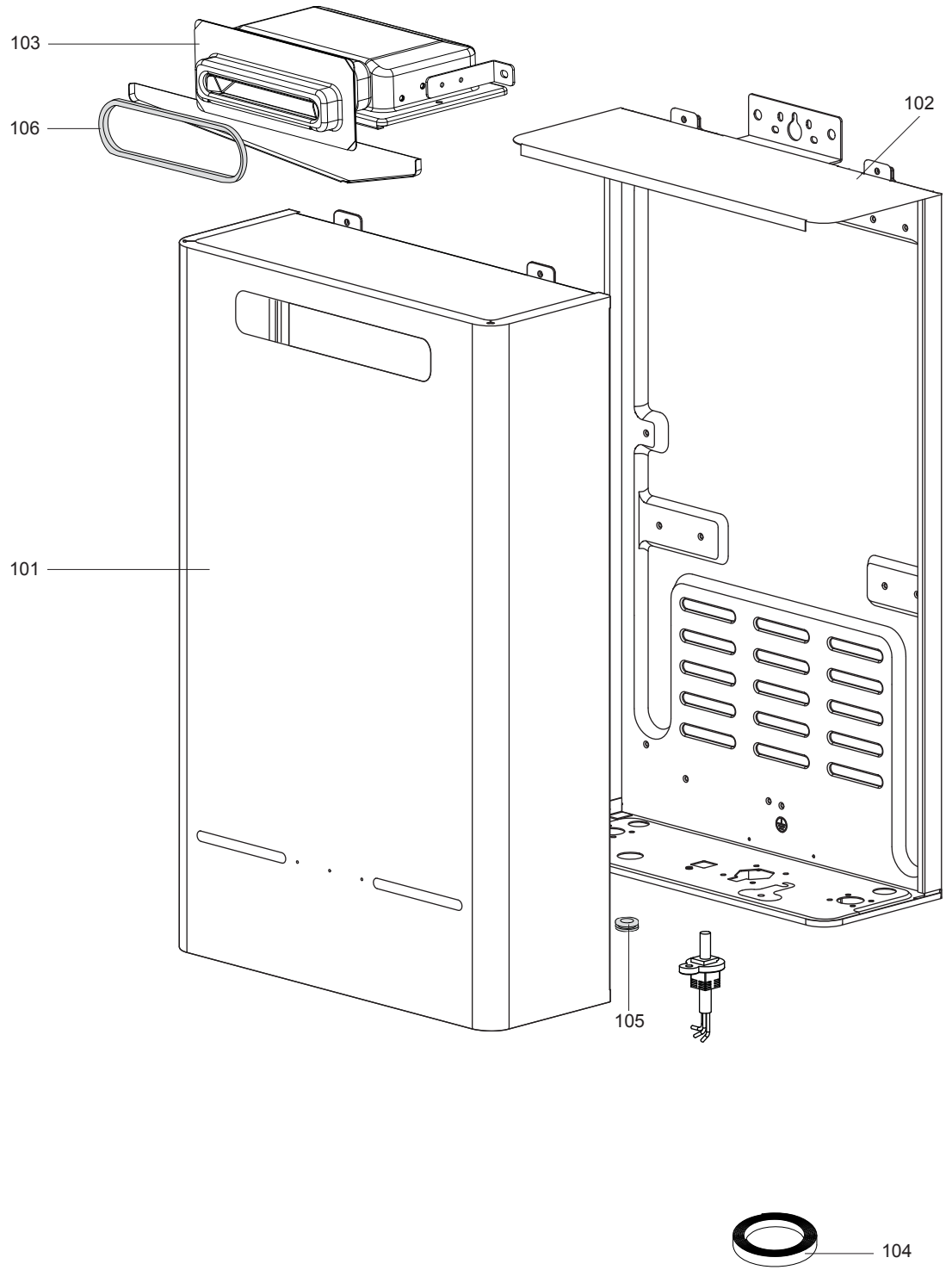


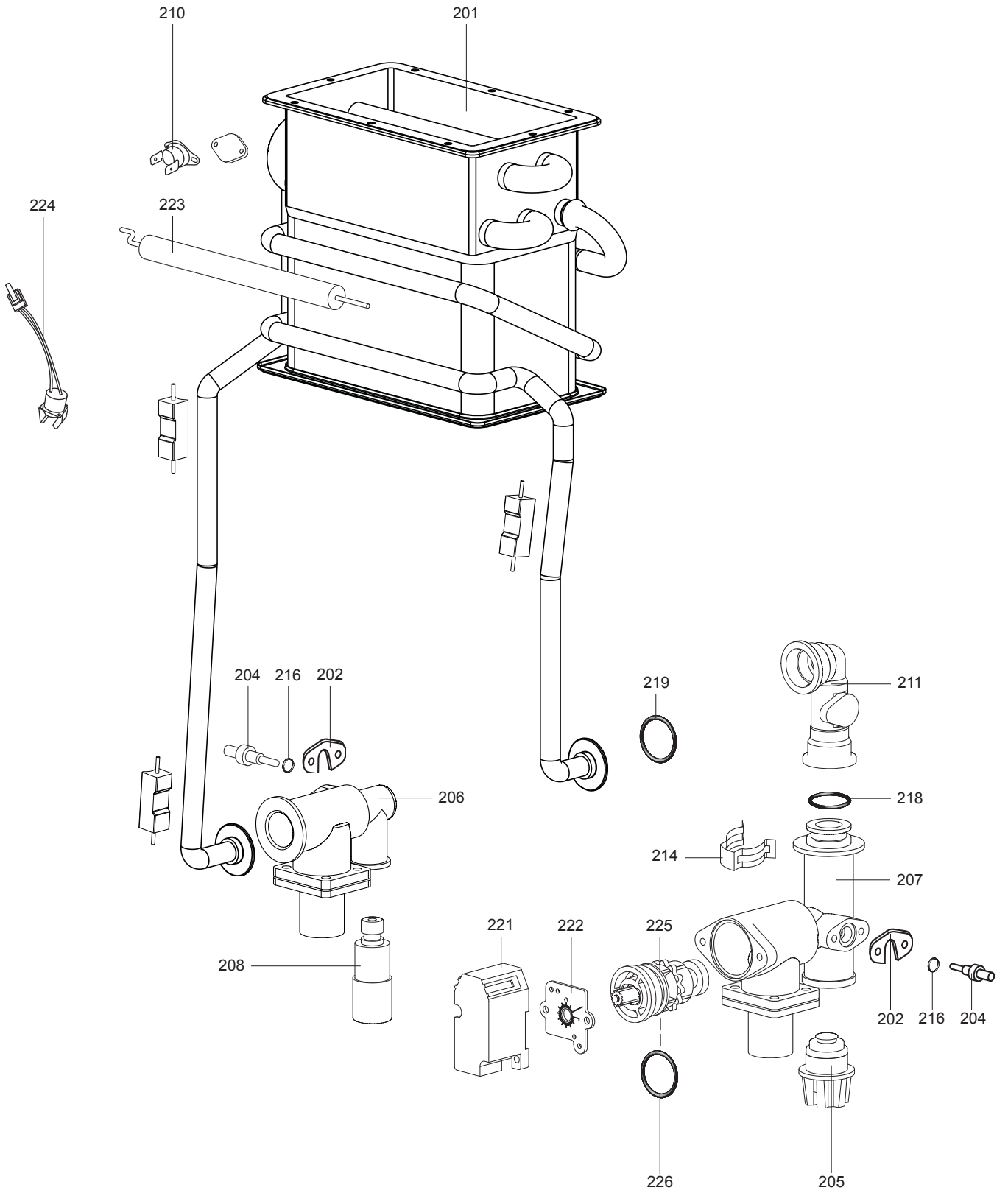
SPARE PARTS EXPLODED VIEW
INSTANTANEOUS GAS WATER HEATERS
Model
FLUENDO AVENIR OUTDOOR EU EVO

R8217906-02 - 26/09/2017

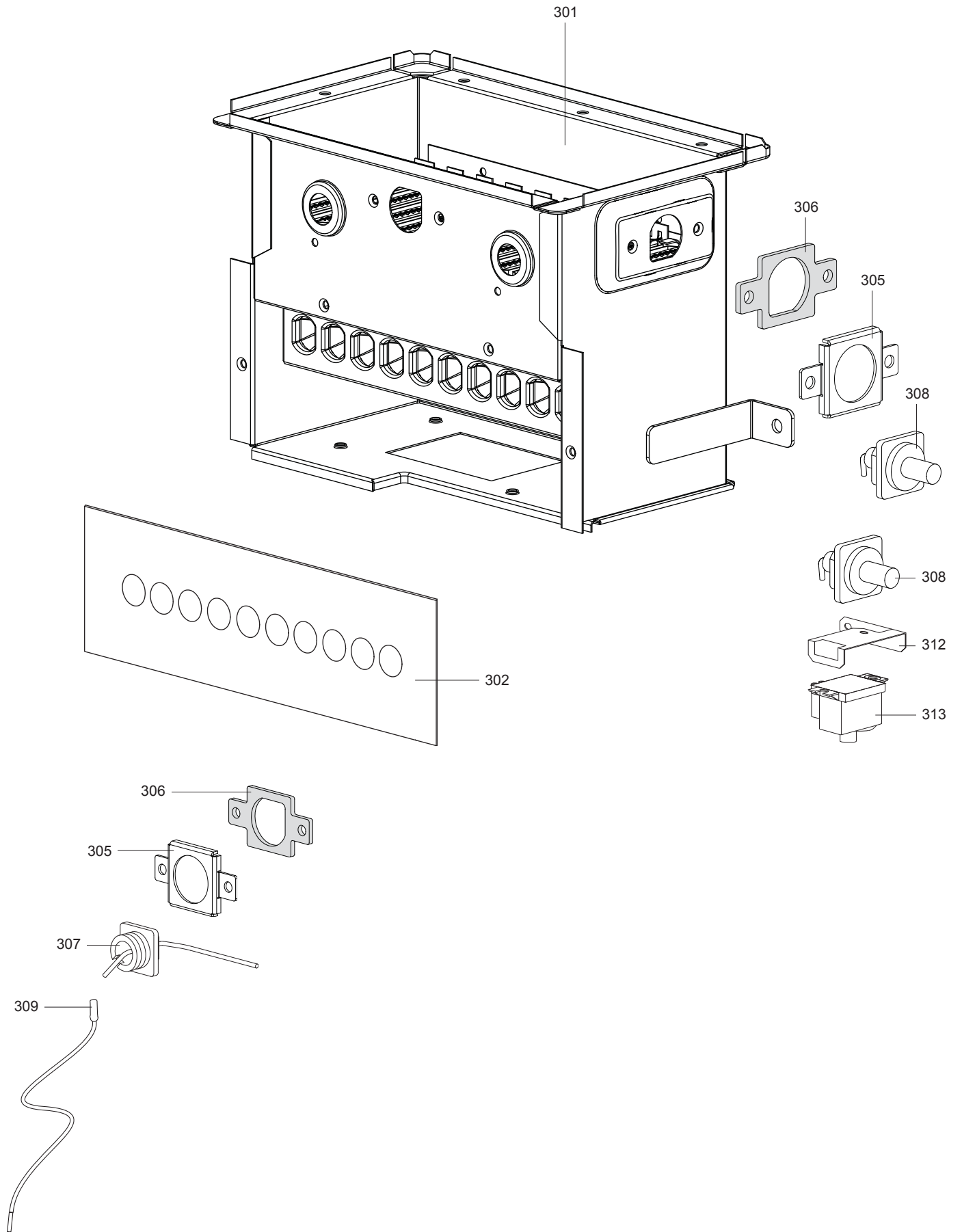
1	3632345	FLUENDO AVENIR OUTDOOR 11 NG EU EVO	07-2017	-
1	3632346	FLUENDO AVENIR OUTDOOR 11 LPG EU EVO	07-2017	-
2	3632347	FLUENDO AVENIR OUTDOOR 16 NG EU EVO	07-2017	-
2	3632348	FLUENDO AVENIR OUTDOOR 16 LPG EU EVO	07-2017	-
3	3632349	FLUENDO AVENIR OUTDOOR 20 NG EU EVO	07-2017	-
3	3632350	FLUENDO AVENIR OUTDOOR 24 NG EU EVO	07-2017	-
Col	Reference	Model type	Begin	End



⊕⇒	Description	Manf. Pt. N	Type	FLUENDO AV. OUTD. 11 FLUENDO AV. OUTD. 16 FLUENDO AV. OUTD. 20 FLUENDO AV. OUTD. 24														31				
				1	2	3	4	5	6	7	8	9	10	11	12	13	14	15	16	17	18	From
0101	CASE PANEL (FRONT-11L)	65152155		•																		
	CASE PANEL (FRONT-16L)	65152156			•																	
	CASE PANEL (FRONT-20L)	65152190				•	•															
0102	BACK COVER	65153466		•	•																	
	BACK COVER	65153595					•	•														
0103	FLUE HOOD 11L IPX5	65153467		•																		
	FLUE HOOD 16L IPX5	65153468			•																	
	FLUE HOOD 20L IPX5	65153596					•	•														
0104	AIRPROOF PATCH	65158398		•	•	•	•															
0105	CABLE HOLDER	65158547		•	•	•	•															
0106	GASKET (FLUE HOOD 11L)	65153469		•																		
	GASKET (FLUE HOOD 16L)	65153470			•																	
	GASKET (FLUE HOOD 20L)	65153597				•	•															



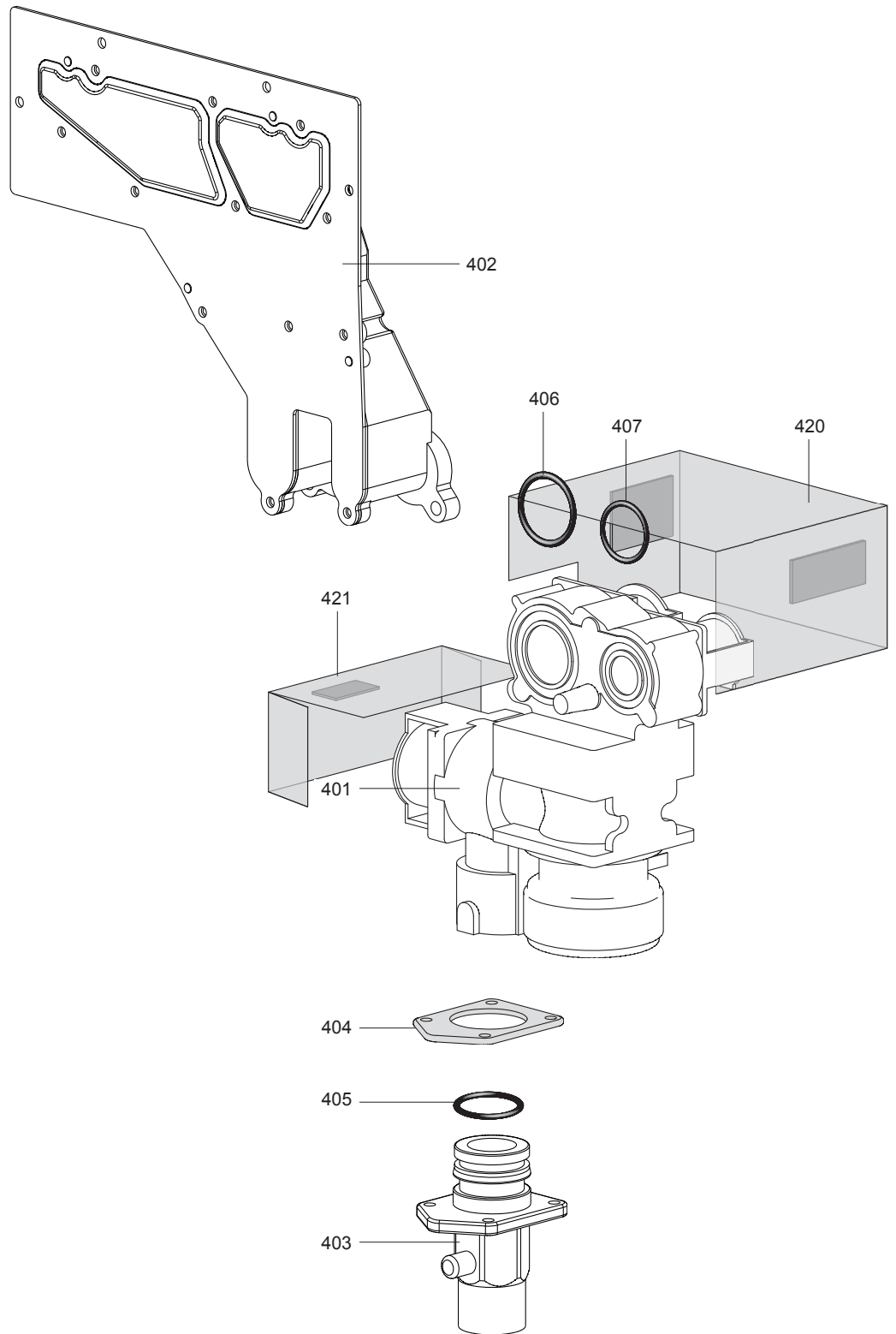
Description	Manf. Pt. N	Type	<div style="display: flex; justify-content: space-between; align-items: center;"> <div style="transform: rotate(-45deg); font-size: small;"> FLUENDO AL: OUTD. 11 FLUENDO AL: OUTD. 16 FLUENDO AL: OUTD. 20 FLUENDO AL: OUTD. 24 </div> <div style="border: 1px solid black; padding: 2px; font-size: x-small;"> 31 </div> </div>																From	to
			1	2	3	4	5	6	7	8	9	10	11	12	13	14	15	16	17	18
0201 HEAT EXCHANGER	65152002		•																	
HEAT EXCHANGER	65152099			•																
HEAT EXCHANGER	65152187				•	•														
0202 TEMPERATURE SENSOR SUPPORT	65158153		•	•	•	•														
0204 TEMPERATURE SENSOR	977227		•	•	•	•														
0205 FILTER	65158326		•	•	•	•														
0206 PIPE (D.H.W. OUTLET)	65158387		•	•																
PIPE (D.H.W.OUTLET)	65158432					•	•													
0207 PIPE (COLD WATER INLET)	65158386		•	•	•	•														
0208 SAFETY VALVE 10 BAR	65152077		•	•	•	•														
0210 THERMOSTAT (SAFETY)	65158036		•	•	•	•														
0211 WATER FLOW SENSOR	65158232				•	•														
WATER FLOW SENSOR	65158269		•	•																
0214 CLIP (2 PCS)	65158239		•	•	•	•														
0216 O-RING 3.75X1.8 (10 PCS)	65158146		•	•	•	•														
0218 O-RING 15X2.65 (10 PCS)	65158339		•	•	•	•														
0219 O-RING 11.6X2.65 (10 PCS)	65158273		•	•																
O-RING FOR WATER INLET (10 PCS)	65158242					•	•													
0221 ACTUATOR	65158378		•	•	•	•														
0222 ACTUATOR SUPPORT	65158379		•	•	•	•														
0223 ANTI-FREEZE HEATING	65153471		•	•																
ANTI-FREEZE HEATING-20L	65153598					•	•													
0224 ANTI-FREEZE THERMOSTAT	65158551		•	•	•	•														
0225 MIXING VALVE	65158399		•	•	•	•														
0226 O-RING 18X2.65 (10 PCS)	65158324		•	•	•	•														



FLUENDO AL OUTD. 11
 FLUENDO AL OUTD. 16
 FLUENDO AL OUTD. 20
 FLUENDO AL OUTD. 24

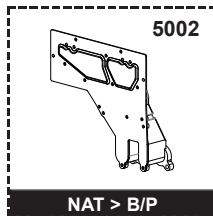
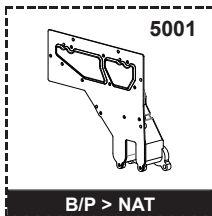
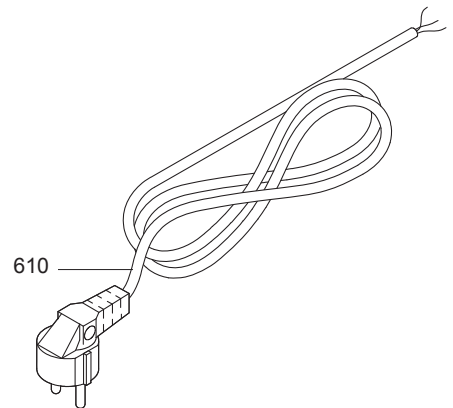
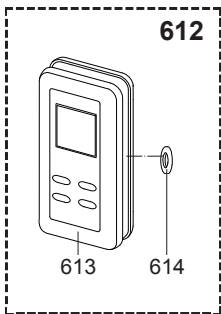
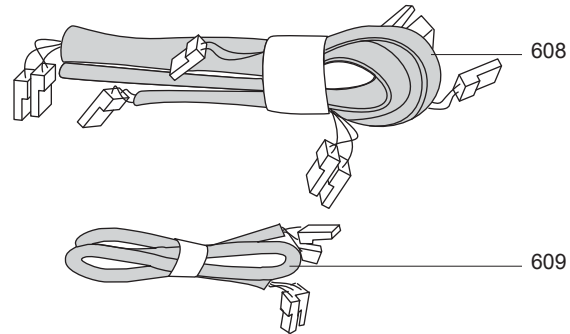
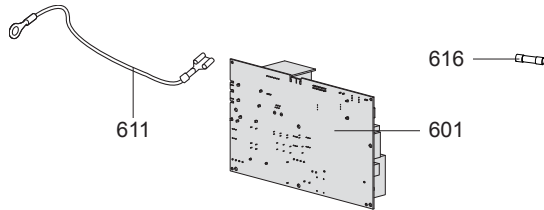
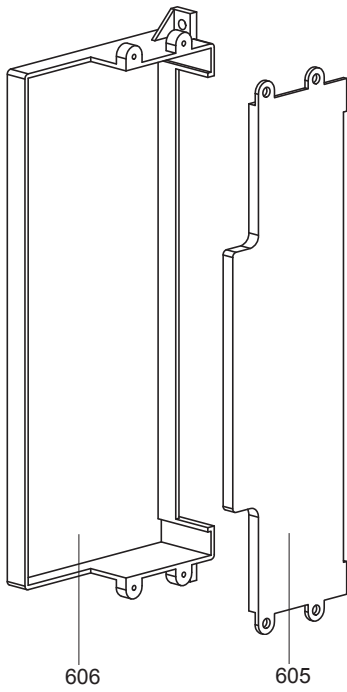
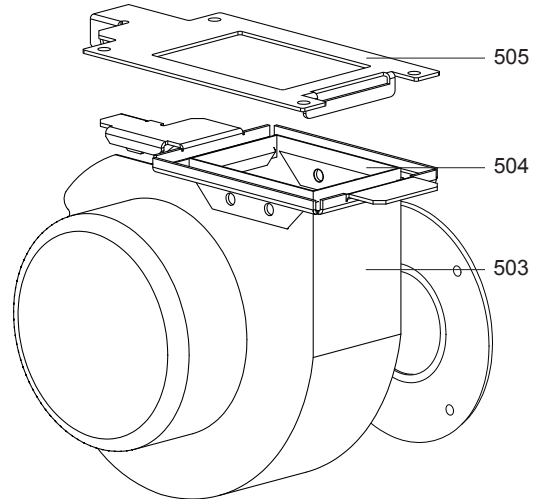
31

Description	Manf. Pt. N	Type																			From	to
			1	2	3	4	5	6	7	8	9	10	11	12	13	14	15	16	17	18		
0301 COMBUSTION CHAMBER 11L IPX5	65153472		●																			
COMBUSTION CHAMBER 16L IPX5	65153473			●																		
COMBUSTION CHAMBER 20L IPX5	65153599				●	●																
0302 16L PRIMARY AIR BOARD(LPG&NG)	65152670			●																		
20L PRIMARY AIR BOARD(LPG&NG)	65153600				●	●																
PRIMARY AIR BOARD	65152004		●																			
0305 ELECTRODE SUPPORT	65158244		●	●	●	●																
0306 AIRPROOF (10 PCS)	65158245		●	●	●	●																
0307 DETECTION ELECTRODE	65151996		●	●	●	●																
0308 IGNITION ELECTRODE	65152150		●	●	●	●																
0309 CABLE (FLAME SENSOR)	65152673		●	●	●	●																
0310 SPARK GENERATOR+ELEKTRODE REPLAC. KIT	65152148		●	●	●	●																
0312 BRACKET/IGNITER/6 SLOTS	65152652		●	●	●	●																
0313 IGNITER/6 SLOTS/DGI	65152653		●	●	●	●																



FLUENDO AL OUTD. 11
 FLUENDO AL OUTD. 16
 FLUENDO AL OUTD. 20
 FLUENDO AL OUTD. 24

	Description	Manf. Pt. N	Type																			31	
				1	2	3	4	5	6	7	8	9	10	11	12	13	14	15	16	17	18	From	to
0401	PROPORTIONAL VALVE, CE NORMAL	65152675		•	•	•																	
0402	10/11L GAS COLLECTOR ASSEMBLY LPG	65158364		•																			
	16L GAS COLLECTOR ASSEMBLY 12T	65158359			•																		
	16L GAS COLLECTOR ASSEMBLY LPG	65158358			•																		
	GAS COLLECTOR	65158426				•	•																
	GAS MANIFOLD	65158365		•																			
0403	GAS CONNECTION (3/4")	65158234		•	•	•	•																
0404	GASKET	65158236		•	•	•	•																
0405	O-RING FOR INLET GAS (10 PCS)	65158241		•	•	•	•																
0406	GASKET (10 PCS)	65158254		•	•	•	•																
0407	GASKET (10 PCS)	65158255		•	•	•	•																
0420	SHIELD (GAS VALVE-PART A)	65152094		•	•	•	•																
0421	SHIELD (GAS VALVE-PART B)	65152093		•	•	•	•																



NEXT OUTDOOR: 11
 NEXT OUTDOOR: 16
 FLUENDO AL: OUTD. 20
 FLUENDO AL: OUTD. 24

31

Description	Manf. Pt. N	Type																			From	to
			1	2	3	4	5	6	7	8	9	10	11	12	13	14	15	16	17	18		
0503 FAN	65152558		•	•																		
FAN	65153601				•	•																
0504 FAN SUPPORT	65158429				•	•																
FAN SUPPORT	65158545		•	•																		
0505 FAN ASSEMBLY SUPPORT	65158549		•	•																		
FAN SUPPORT	65158434				•	•																
0601 MAIN BOARD NEXT OUTDOOR EVO DGI	65153474		•	•	•	•																
0605 ELECTRIC BOX	65151995		•	•	•	•																
0606 ELECTRIC BOX	65153475		•	•	•	•																
0608 CABLE (HIGH VOLTAGE - CE 14/16L)	65152689		•	•	•	•																
0609 LOW VOLTAGE CABLE	65153476		•	•	•	•																
0610 POWER CABLE	65152001				•	•																
POWER CABLE	65153477		•	•																		
0611 CABLE (EARTH)	65158538		•	•	•	•																
0612 REMOTE CONTROLLER	65153478		•	•	•	•																
0613 DISPLAY COVER	65158523		•	•	•	•																
0614 CABLE HOLDER	65159068		•	•	•	•																
0616 FUSE (20-24LT)	65152186		•	•	•	•																
5001 CONVERSION KIT TO LPG	65153479		•																			
CONVERSION KIT TO LPG	65153481			•																		
CONVERSION KIT TO LPG	65153602				•	•																
5002 CONVERSION KIT TO NATURAL GAS	65153480		•																			
CONVERSION KIT TO NATURAL GAS	65153482			•																		

LIST OF THE ABBREVIATIONS

HW	: Hot water.
CW	: Cold water.
C	: Ceramic resistance (normal heating).
Ca	: Ceramic resistance (accelerated heating)
TP	: Immersion heater.
1F	: With fittings.
2F	: Without fittings.
3F	: With fittings and another outlet connection.
AMI	: With mixing valve.
SMI	: Without mixing valve.
PUISS	: Power of th appliance.
PN	: Appliance with normal pression.
LP	: Appliance with low pression.
PV	: Appliance with variable power.
PF	: Appliance with fixed power.

IDENTIFICATION PLATE

SERIAL NUMBER

6 Characters :
 Year of manufacture _____ 03 09 08 _____ Manufacturing day
 Month of manufacture

9 Characters :
 Year of manufacture _____ M 12 10 0606 _____ Sequential number
 Month of manufacture

14 Characters :
 SI-V-0B0 45 07 0001 _____
 Sequential number
 Year of manufacture : _____ 6 → 2004
 Month of manufacture : → 25 → January 43 → July 7 → 2005
 13 → February 29 → August 8 → 2006
 32 → March 40 → September etc ...
 35 → April 38 → October
 39 → May 51 → November
 45 → June 12 → December

15 Characters :
 Year of manufacture _____ 02 11 00001 007843 _____ Code appareil
 Month of manufacture _____ Sequential number

21 Characters :
 Product reference _____ 3200050 XX 08115 0000001 _____ Sequential number
 Year (08) / Manufacturing day (115)

22 Characters :
 Product reference _____ 3200050 XX 070115 0000001 _____ Sequential number
 Year (07) / Month (01) / Manufacturing day (15)