

SPARE PARTS EXPLODED VIEW HEAT PUMPS

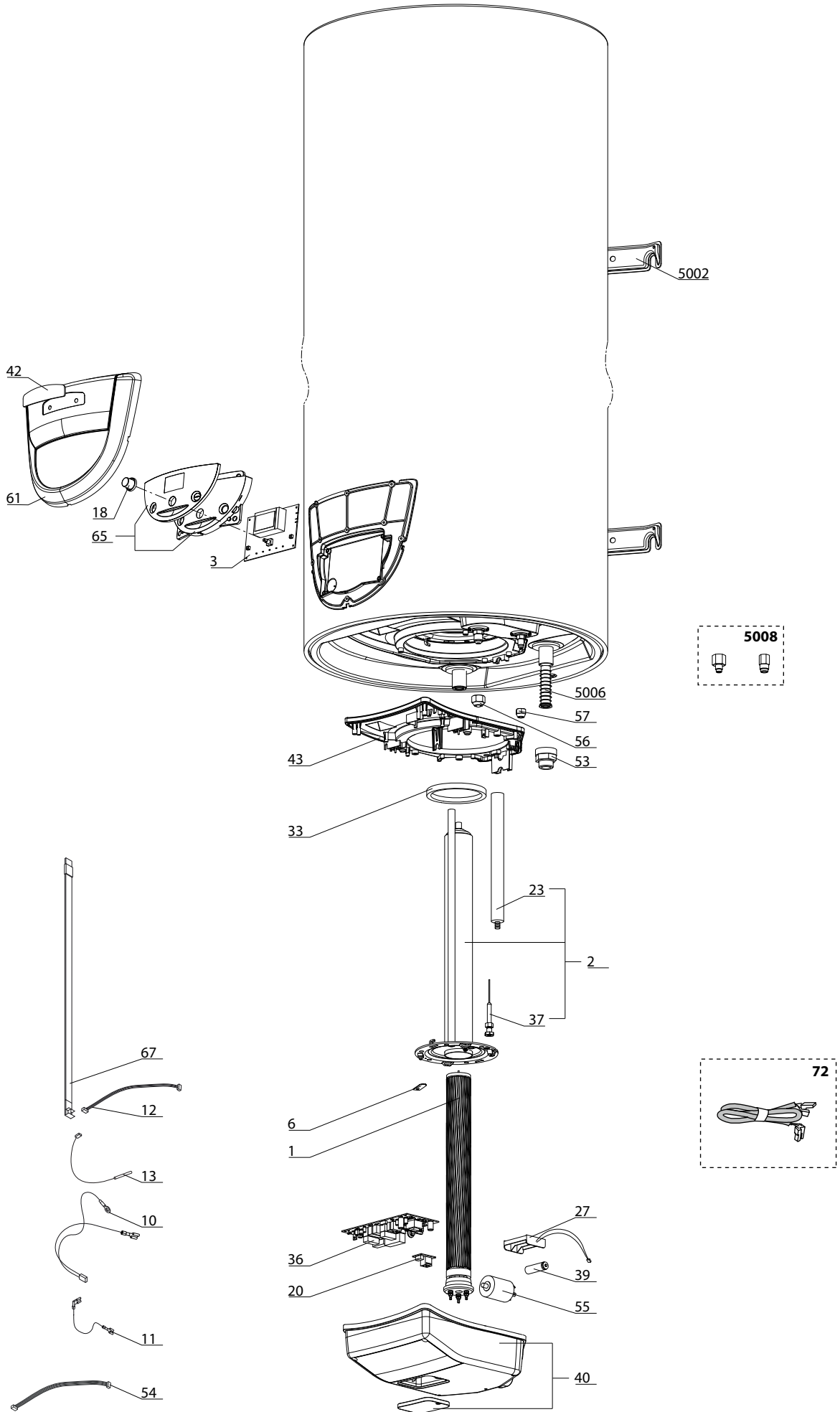
Model

AQUANEXT SPLIT WH

R8203333-07 - 20/07/2017

1	3069408	AQUANEXT SPLIT TANK WH 150		
1	3079042	AQUANEXT SPLIT TANK WH 150	09-2011	09-2015
2	3069407	AQUANEXT SPLIT TANK WH 200		
2	3079041	AQUANEXT SPLIT TANK WH 200	09-2011	09-2015
3	3069507	AQUANEXT SPLIT FLEX TANK 150 WH		
4	3069506	AQUANEXT SPLIT FLEX TANK 200 WH		

Col	Reference	Model type	Begin	End
-----	-----------	------------	-------	-----



LIST OF THE ABBREVIATIONS

HW	: Hot water.
CW	: Cold water.
C	: Ceramic resistance (normal heating).
Ca	: Ceramic resistance (accelerated heating)
TP	: Immersion heater.
1F	: With fittings.
2F	: Without fittings.
3F	: With fittings and another outlet connection.
AMI	: With mixing valve.
SMI	: Without mixing valve.
PUISS	: Power of th appliance.
PN	: Appliance with normal pression.
LP	: Appliance with low pression.
PV	: Appliance with variable power.
PF	: Appliance with fixed power.

IDENTIFICATION PLATE

SERIAL NUMBER

9 Characters : 07 91 00301 (from 01/77 to 12/92)

Month of manufacture 07 91 Sequential number 00301
Year of manufacture 07 91

10 Characters : 95 01 065004 (from 01/93 to 06/95)

Year of manufacture 95 01 Sequential number 065004
Month of manufacture 95 01

OU

10 Characters : 01 95 065004 (from 07/95)

Month of manufacture 01 95 Sequential number 065004
Year of manufacture 01 95

12 Characters : 924 2 3 134 0115

Product reference 924 2 3 Sequential number 134 0115
Year of manufacture 924 2 3 Manufacturing day 134 0115

15 ou 16 Characters : (0)03 070 0001 893077 (from 01/97 to 01/05)

Year of manufacture (0)03 070 Product reference 893077
Day of manufacture (0)03 070 Sequential number 0001 893077

OU

16 Characters : 05 070 0001 0000000 (from 02/05)

Year of manufacture 05 070 Product reference 0001 0000000
Day of manufacture 05 070 Sequential number 0001 0000000

17 Characters : 07 070 00315 3070107

Year of manufacture 07 070 Product reference 00315 3070107
Sequential number 00315 3070107
Manufacturing day (70) 00315 3070107

21 Characters : 3000115 XX 08115 0000001

Product reference 3000115 XX Sequential number 08115 0000001
Year (08) / Manufacturing day (115) 08115 0000001

22 Characters : 3000115 XX 070416 0000001

Product reference 3000115 XX Sequential number 070416 0000001
Year (07) / Month (04) / Manufacturing day (16) 070416 0000001