

SPARE PARTS EXPLODED VIEW GAS-WALL CONDENSING BOILERS

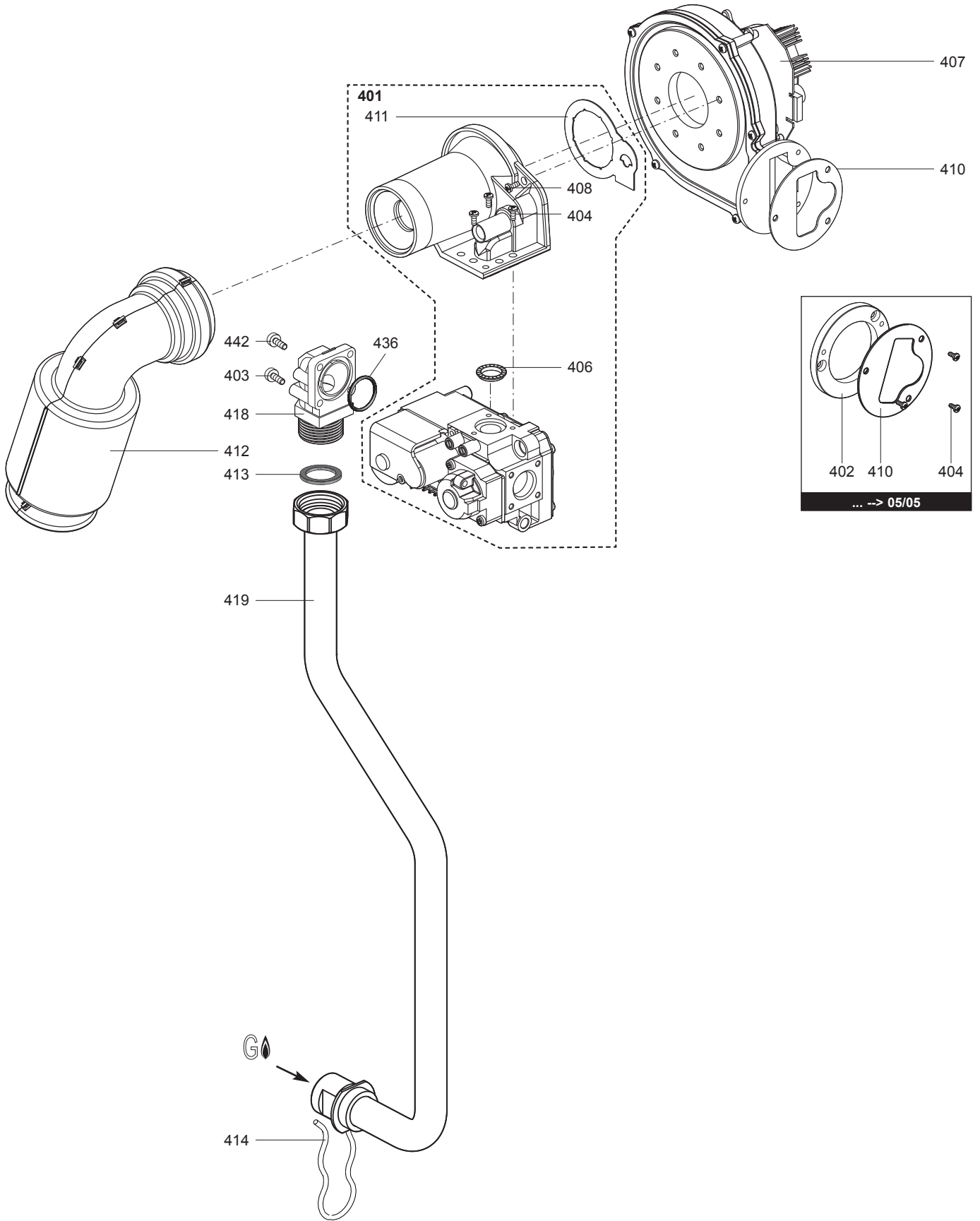
Model

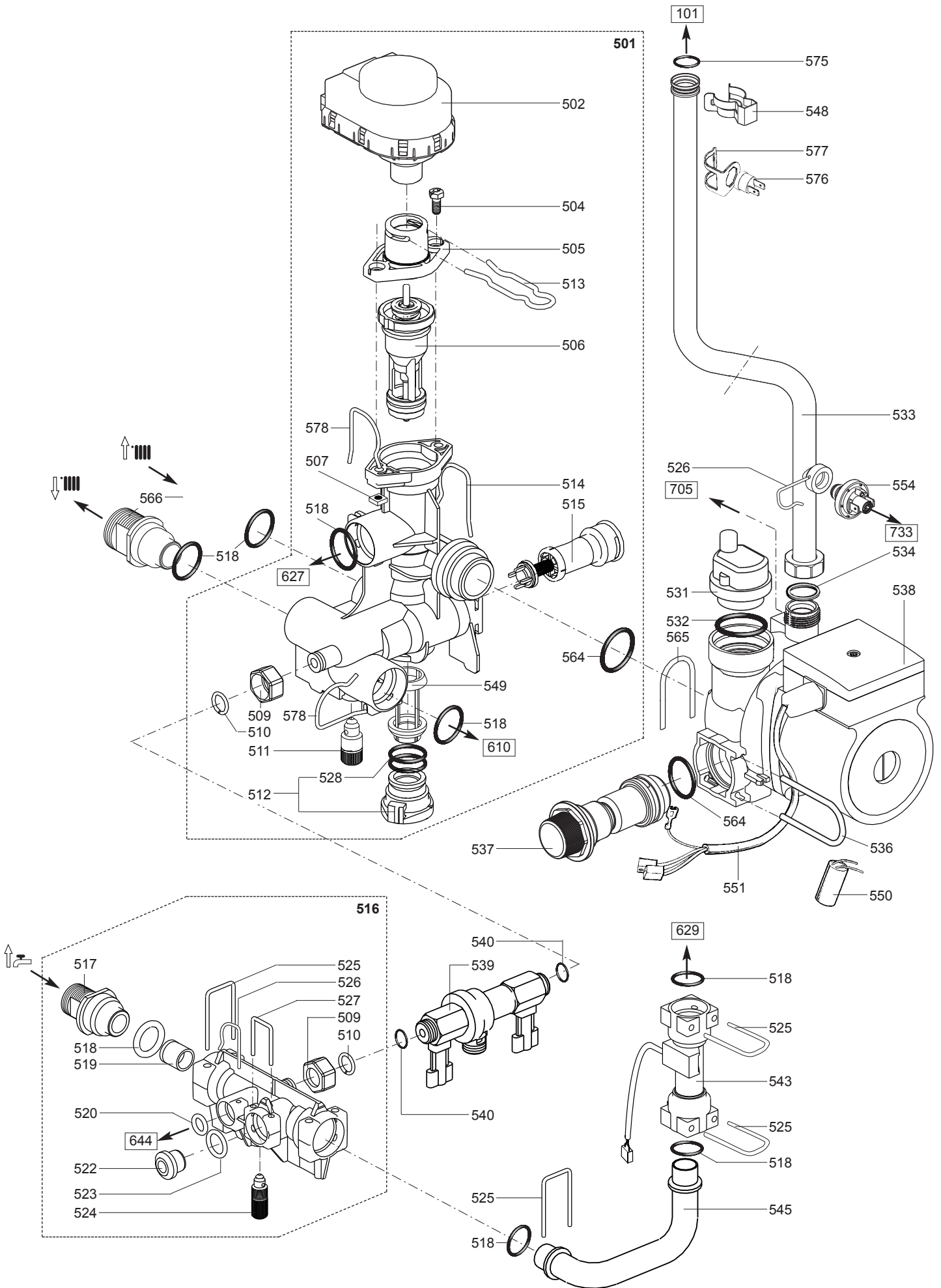
NIAGARA GREEN

R8202808-12 - 28/06/2013

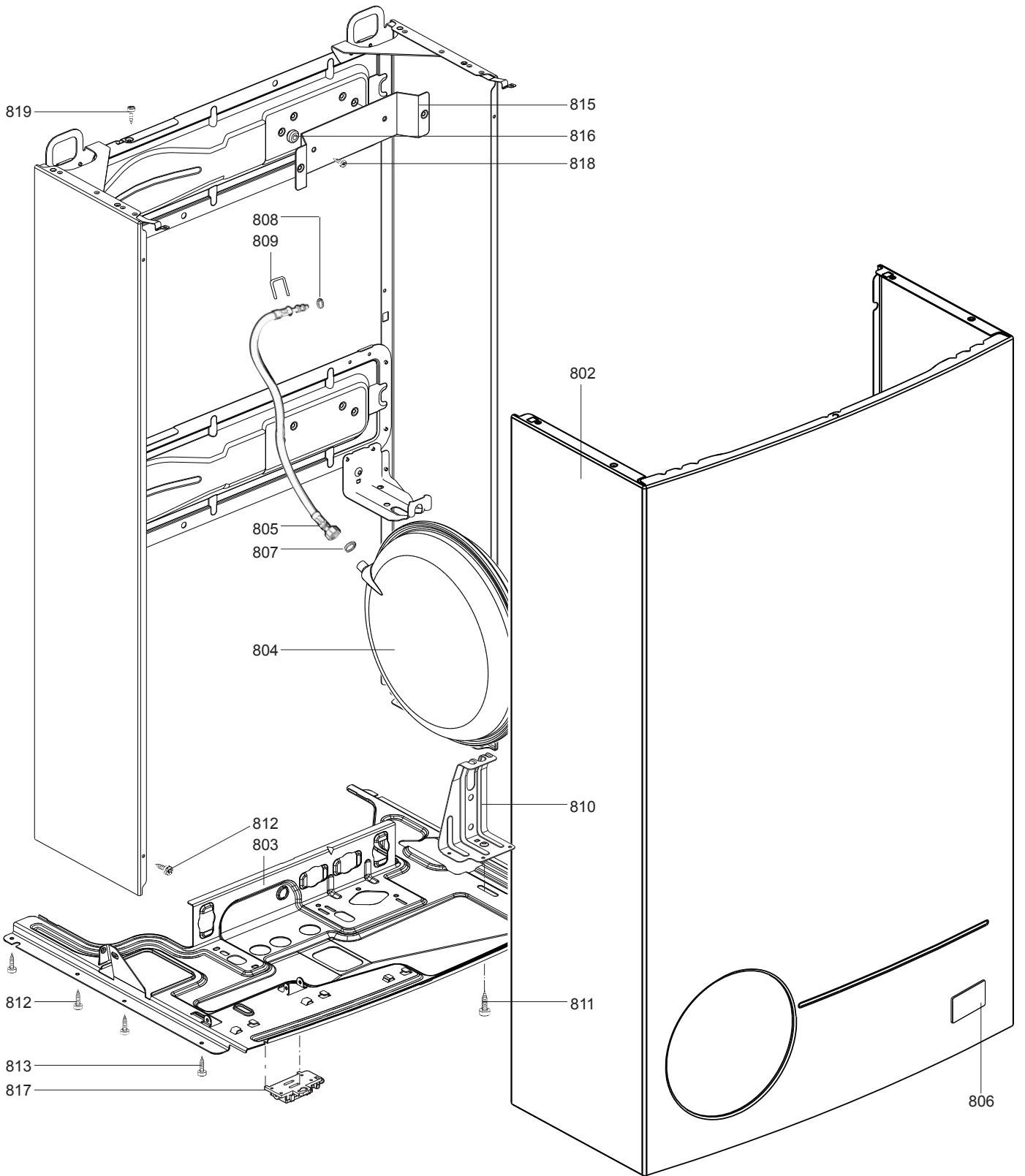
1	3650030	NIAGARA GREEN 24 NAT FR/IT	01-2005	01-2009
2	3650028	NIAGARA GREEN 35 NAT FR	09-2004	01-2009
Col	Reference	Model type	Begin	End

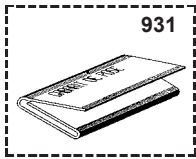
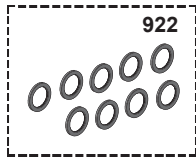
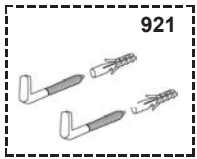
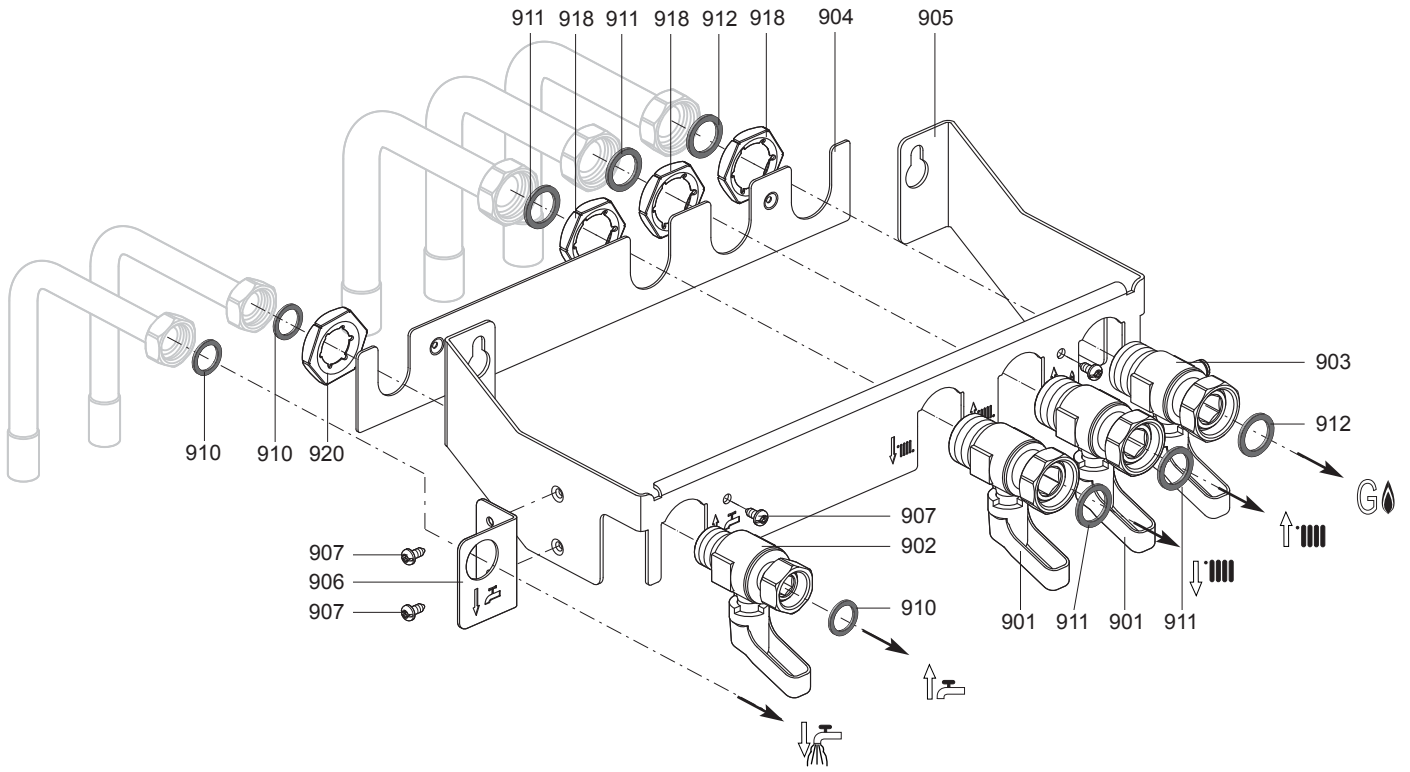
☉	Description	Manf. Pt. N	Type	<div style="float: right; border: 1px solid black; padding: 2px;"> </div>																		31
				1	2	3	4	5	6	7	8	9	10	11	12	13	14	15	16	17	18	
0100	BURNER ASSEMBLY																					
0101	EXCHANGER 24KW	61313760		●																		
	EXCHANGER 35KW	61314834			●																	
0102	DOOR ASSY	61313614		●	●																	
0103	PANEL (INSULATION - FRONT)	65103360		●	●																	
0104	DOOR GASKET	60000672-01		●	●																	
0106	SPACER	61314749		●																		
	SPACER	61314842			●																	
0107	FIXING BRACKET	61314853		●																		
	FIXING BRACKET	61314854			●																	
0108	FIXING BRACKET	61315040			●																	
	FIXING BRACKET	61316305		●																		
0109	HOOKING BRACKET	61306448		●	●																	
0110	IGNITION ELECTRODE	61317432		●	●																	
0111	IONIZATION ELECTRODE	61317433		●	●																	
0112	GASKET D:85-66.5-2.5	61314753		●	●																	
0113	CONDENSATE TRAP (LOWER)	65102070		●	●																	
0114	CONDENSATE TRAP (UPPER)	65102548		●	●																	
0115	TAPPING SCREW CBLX D: 4.2-9.5	61010125		●	●																	
0116	FLEXIBLE PIPE KIT	61315317		●	●																	
0117	DUCT FIRST SECTION	60000022		●																		
	DUCT FIRST SECTION	60000023			●																	
	DUCT FIRST SECTION	61313527		●																05/05		
	DUCT FIRST SECTION	61315368			●															05/05		
0118	STRAP 25.3-27.3	61317450		●	●																	
0119	SCREW HX M 5-12	61010131		●	●																	
0121	O-RING (3175 EPDM D=44.9)	990695		●	●																	
0122	SCREW D: 5-14	61308782		●	●																	
0123	SCREW CLX M 5-20	61017600		●	●																	
0124	TUBE PVC D:21 L:750	65110103		●	●																	
0125	PANEL (INSULATION - REAR)	65103361		●	●																	
0126	TAPPING SCREW CBLX D: 4.2-25	61010128		●	●																	
0128	UNION	65103458		●	●																	
0129	PIN	61305179		●	●																	
0130	SCREW CLXS M 5-25	61016601		●	●																	
0131	STRAP 26.5-28.6	61317451		●	●																	
0132	STRAP 21.4-23.0	61317449		●	●																	
0133	RESTRICTOR	60000251		●																		
0137	BURNER	60000671		●																		
	BURNER 35KW	60000287-01			●																	
0200	FAN ASSEMBLY																					
0202	FLUE CONNECTION	61315055		●	●																	
0203	GASKET D:66-58.4-9	61310088		●	●																	
0205	GASKET D:66.6	61306029		●	●																	
0212	GASKET	61300262		●	●																	
0213	PLUG KIT	61306698		●	●																	
0222	OUTGOING FLUE BOX	61314748		●	●																	
0227	TAPPING SCREW CBLZ D: 4.2-13	60079486		●	●																	
0228	AIR RETURN COVER	991821		●	●																	
0229	TAPPING SCREW CBLX D: 4.2-32	61315056		●	●																	
0230	WASHER D: 11.5-6.2-1	60034377		●	●																	
0231	GASKET D:129.4	60000915		●	●																	
0232	TAPPING SCREW D: 4.8-9.5	61007613		●	●																	
0300	SEALED CASE																					
0303	IGNITER	61002105-20		●	●																	
0304	FOAM SEAL 12.5x5 L: 2.5M	60081273		●	●																	
0305	CASE	61317033			●																	
	CASE	61317325		●																		
0306	TAPPING SCREW CBLX D: 4.2-9.5	61010125		●	●																	
0311	CASE COVER	61317032		●	●																	
0314	GROMMET	61010109		●	●																	



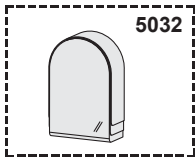
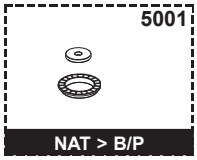


☉⇒	Description	Manf. Pt. N	Type	NIAGARA GREEN 24 FF NIAGARA GREEN 38 FF																		
				1	2	3	4	5	6	7	8	9	10	11	12	13	14	15	16	17	18	
0700	ELECTRICAL BOX																					
0701	BASE - BOX	61314868		●	●																	
0702	CONNECTION STRIP	61002725		●	●																	
0703	O RING D: 5.7-1.9	61009834-10		●	●																	
0704	CLIP	61002406		●	●																	
0705	PRESSURE GAUGE	61305005		●	●																	
0707	PRINTED CIRCUIT BOARDS	60000284-01		●	●																07/06	
0709	IGNITER	61002105-20		●	●																	
0711	ELECTRICAL BOX COVER	61315144		●	●																	
0712	P.C.B. (MAIN)	60001592		●	●																08/06	
0713	PRINTED CIRCUIT BOARD (DISPLAY)	60000486		●	●																08/06	
0714	WHITE KNOB	61312930		●	●																	
0715	TAPPING SCREW TCBL D:4 L:10	61020509		●	●																	
0722	PRINTED CIRCUIT BOARD	61314958		●	●																	
0723	DOOR ASSY	61314737		●	●																	
0724	CLOSURE PLATE	61315794		●	●																	
0725	CONNECTION BOX - ROOM THERMOS.	61316129		●	●																	
0726	FUSE 250V 2A	60054442		●	●																	
0730	FEEDER	61315456		●	●																	
0731	ELECTRODE CABLE	61308086		●	●																	
0733	WIRE ASSEMBLY	60000216		●	●																12/05	
	WIRE ASSEMBLY	61315459		●	●																11/05	
0734	INTERCONNECTION CABLE	61315460		●	●																	
0735	TAPPING SCREW CBLX D: 4.2-9.5	61010125		●	●																	

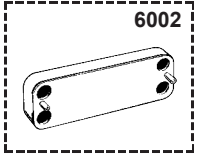




5000



6000



LIST OF THE ABBREVIATIONS

HW	: Hot water.
CW	: Cold water.
C	: Ceramic resistance (normal heating).
Ca	: Ceramic resistance (accelerated heating)
TP	: Immersion heater.
1F	: With fittings.
2F	: Without fittings.
3F	: With fittings and another outlet connection.
AMI	: With mixing valve.
SMI	: Without mixing valve.
PUISS	: Power of th appliance.
PN	: Appliance with normal pression.
LP	: Appliance with low pression.
PV	: Appliance with variable power.
PF	: Appliance with fixed power.

IDENTIFICATION PLATE

SERIAL NUMBER

10 Characters :	04 05 125 011	Sequential number
		Manufacturing day
		Year of manufacture
11 Characters :	1 95 065004 - 31	Technical number of the appliance
Month of manufacture :		Sequential number
from 1 to 9 → Jan. to Sep.,		Year of manufacture
O → Oct., N → Nov.,		
D → Dec.		
19 Characters :	08 05 0013199 900640031	Product reference
Year of manufacture		Sequential number
Month of manufacture		
20 Characters :	3675007 XX 2 07 070 00315	Sequential number
Product reference		Manufacturing day
Millenium of manufacture		Year of manufacture
21 Characters :	3675007 XX 07 070 0000315	Sequential number
Product reference		Manufacturing day
Year of manufacture		

The indications mentioned on the prices, commercial or technical literature and the scheme are written for your guidance and are available at a given time. The CONSTRUCTOR retains the power to modify the presentation, the form, the size, the conception or the material of the products.