

VUE ECLATEE

CHAUFFAGE DOMESTIQUE

Modèle

CELTIC & GM RSc

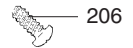
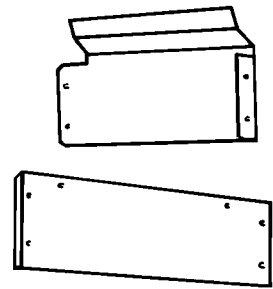
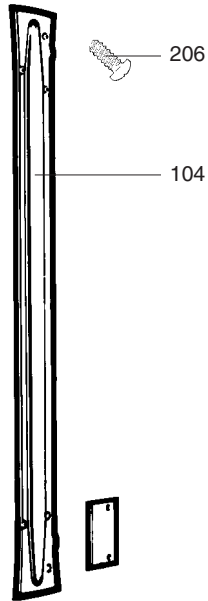
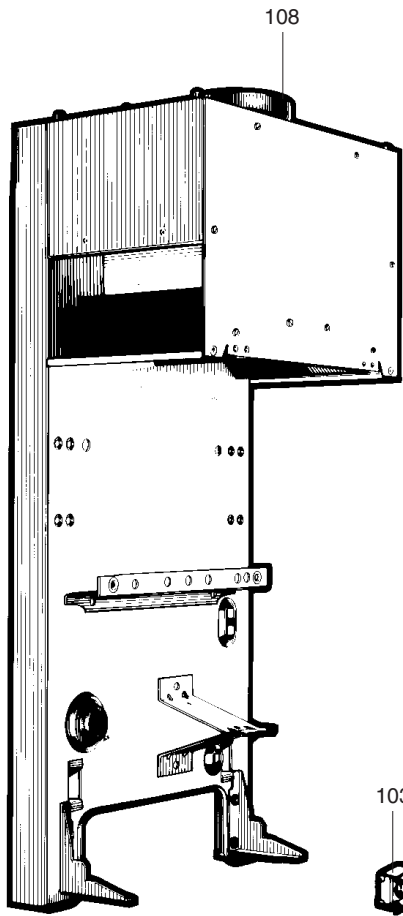
R8202212-05FR - Edition 05 - 23/11/2009

| | |
|----------------|---|
| 211 531 | CELTIC 1.12 RSc "b" CF NAT |
| 211 521 | CELTIC 1.12 RSc "b" CF B/P |
| 211 631 | GM 1.12 RSc CF NAT |
| 211 621 | GM 1.12 RSc CF B/P |
| 241 531 | CELTIC TIG 12 RSc "b" CF NAT |
| 241 631 | GM TIG 12 RSc CF NAT |
| 241 621 | GM TIG 12 RSc CF B/P |
| 241 536 | CELTIC TIG 12 RSc "b" VMC NAT |
| 223 031 | CELTIC 2.16 RSc CF NAT |
| 223 021 | CELTIC 2.16 RSc CF B/P |
| 223 011 | CELTIC 2.16 RSc CF GV |
| 223 131 | GM 2.16 RSc CF NAT |
| 223 121 | GM 2.16 RSc CF B/P |
| 213 031 | CELTIC 1.16 RSc CF NAT |
| 200000 213 021 | CELTIC 1.16 RSc CF B/P |
| 213 131 | GM 1.16 RSc CF NAT |
| 213 121 | GM 1.16 RSc CF B/P |
| 243 131 | GM TIG 16 RSc CF NAT |
| 243 121 | GM TIG 16 RSc CF B/P |
| 243 111 | GM TIG 16 RSc CF GV |
| 224 236 | CELTIC 2.18 RSc VMC NAT - MG 2.18 VMC RSc |
| 224 226 | CELTIC 2.18 RSc VMC B/P - MG 2.18 VMC RSc |
| 224 136 | GM 2.18 RSc VMC NAT |
| 224 126 | GM 2.18 RSc VMC B/P |
| 225 431 | CELTIC 2.20 RSc CF NAT - MG 2.20 RSc |
| 225 421 | CELTIC 2.20 RSc CF B/P - MG 2.20 RSc |
| 225 411 | CELTIC 2.20 RSc CF GV - MG 2.20 RSc |
| 225 531 | GM 2.20 RSc CF NAT |
| 225 521 | GM 2.20 RSc CF B/P |
| 225 511 | GM 2.20 RSc CF GV |
| 225 436 | CELTIC 2.20 RSc VMC NAT |
| 225 426 | CELTIC 2.20 RSc VMC B/P |
| 225 536 | GM 2.20 RSc VMC NAT |
| 225 526 | GM 2.20 RSc VMC B/P |
| 215 431 | CELTIC 1.20 RSc CF NAT - MG 1.20 RSc |
| 215 421 | CELTIC 1.20 RSc CF B/P - MG 1.20 RSc |
| 245 431 | CELTIC TIG 20 RSc CF NAT - MGB 2.20 RSc |
| 245 421 | CELTIC TIG 20 RSc CF B/P - MGB 2.20 RSc |
| 245 411 | CELTIC TIG 20 RSc CF GV - MGB 2.20 RSc |
| 245 531 | GM TIG 20 RSc CF NAT |
| 226 931 | CELTIC 2.24 RSc CF NAT - MG 2.24 RSc |
| 226 921 | CELTIC 2.24 RSc CF B/P - MG 2.24 RSc |
| 226 911 | CELTIC 2.24 RSc CF GV - MG 2.24 RSc |
| 226 831 | GM 2.24 RSc CF NAT |
| 226 821 | GM 2.24 RSc CF B/P |

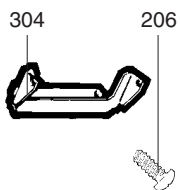
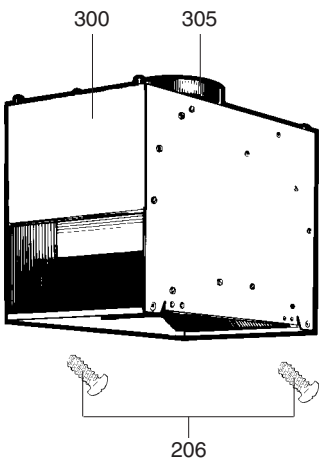
| Code | Ind. | Modèle | Date Début | Date Fin |
|------|------|--------|------------|----------|
|------|------|--------|------------|----------|

| | |
|---------|--------------------------|
| 226 936 | CELTIC 2.24 RSc VMC NAT |
| 226 926 | CELTIC 2.24 RSc VMC B/P |
| 216 931 | CELTIC 1.24 RSc CF NAT |
| 216 921 | CELTIC 1.24 RSc CF B/P |
| 246 811 | GM TIG 24 RSc CF GV |
| 228 231 | CELTIC 2.30 RSc CF NAT |
| 228 221 | CELTIC 2.30 RSc CF B/P |
| 218 231 | CELTIC 1.30 RSc CF NAT |
| 218 221 | CELTIC 1.30 RSc CF B/P |
| 248 231 | CELTIC TIG 30 RSc CF NAT |
| 248 221 | CELTIC TIG 30 RSc CF B/P |

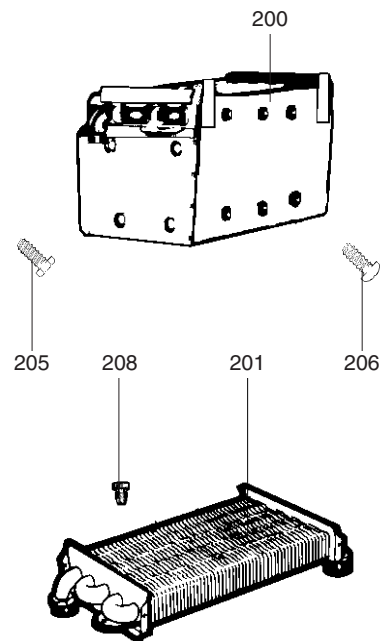
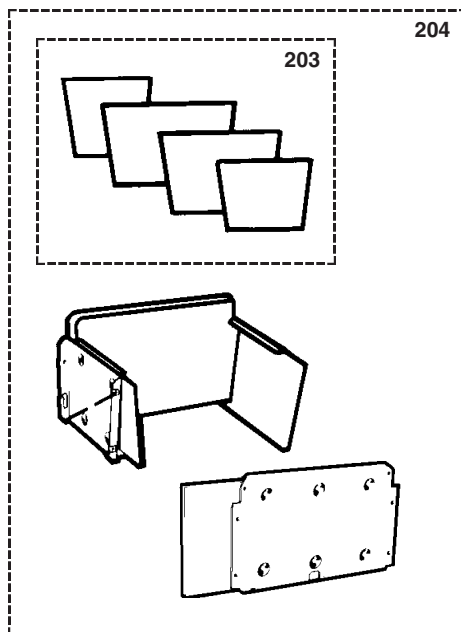
| Code | Ind. | Modèle | Date Début | Date Fin |
|------|------|--------|------------|----------|
|------|------|--------|------------|----------|

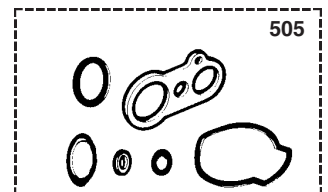
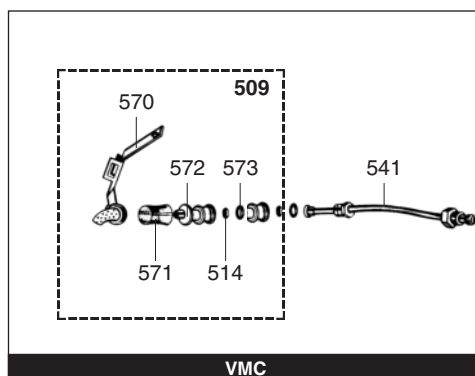
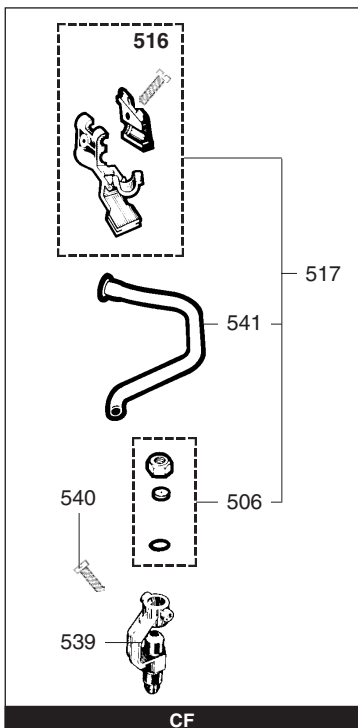
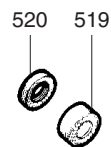
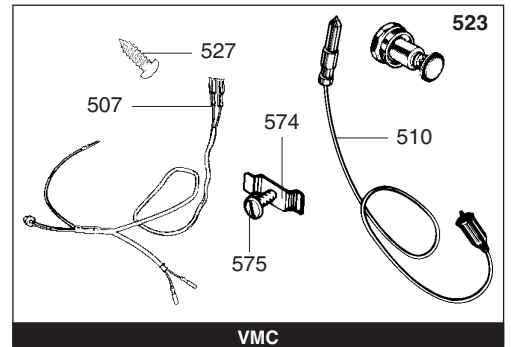
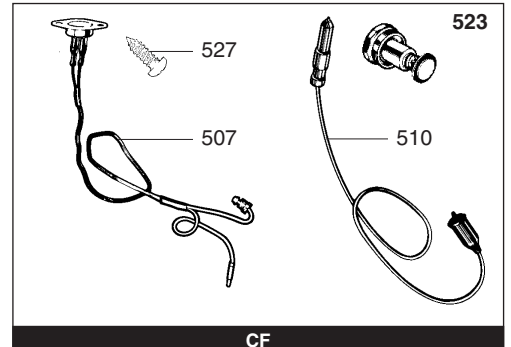
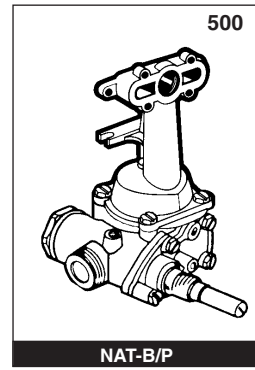
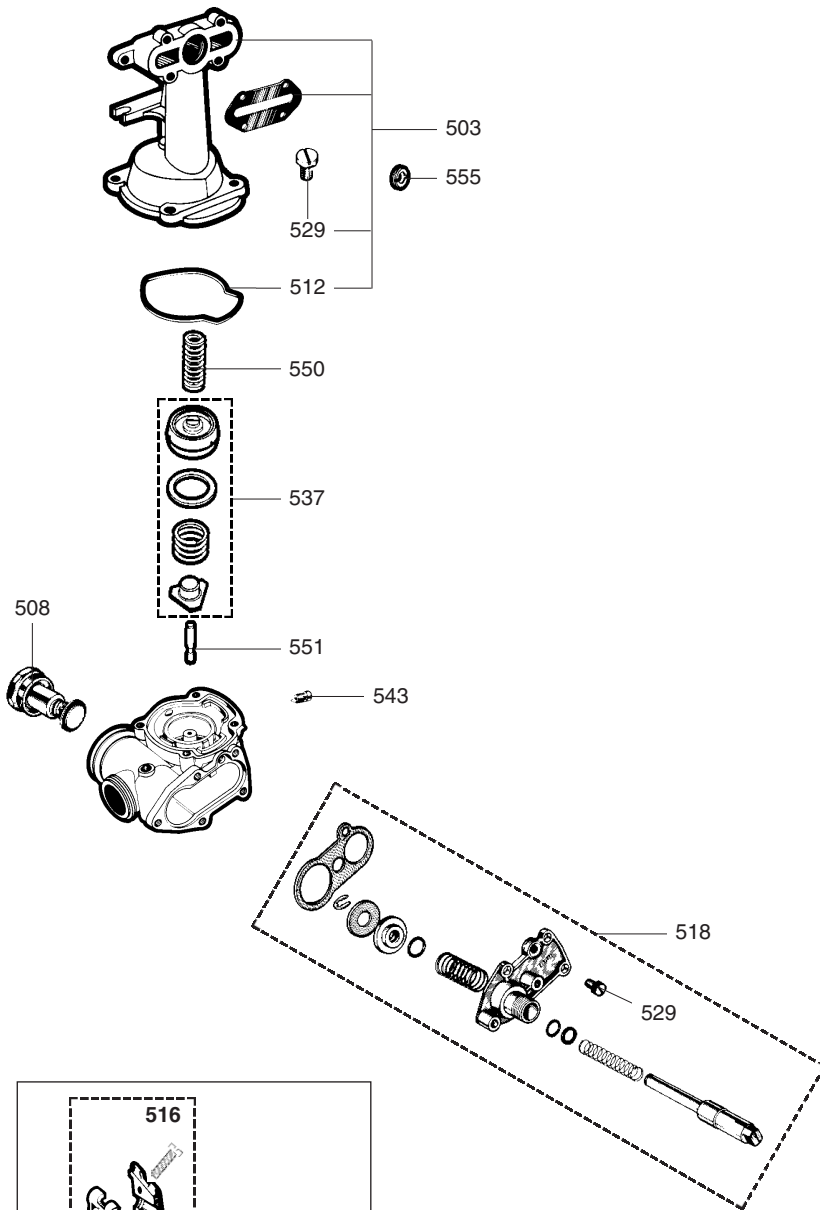


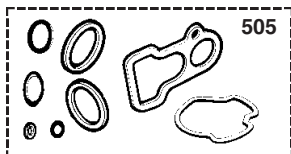
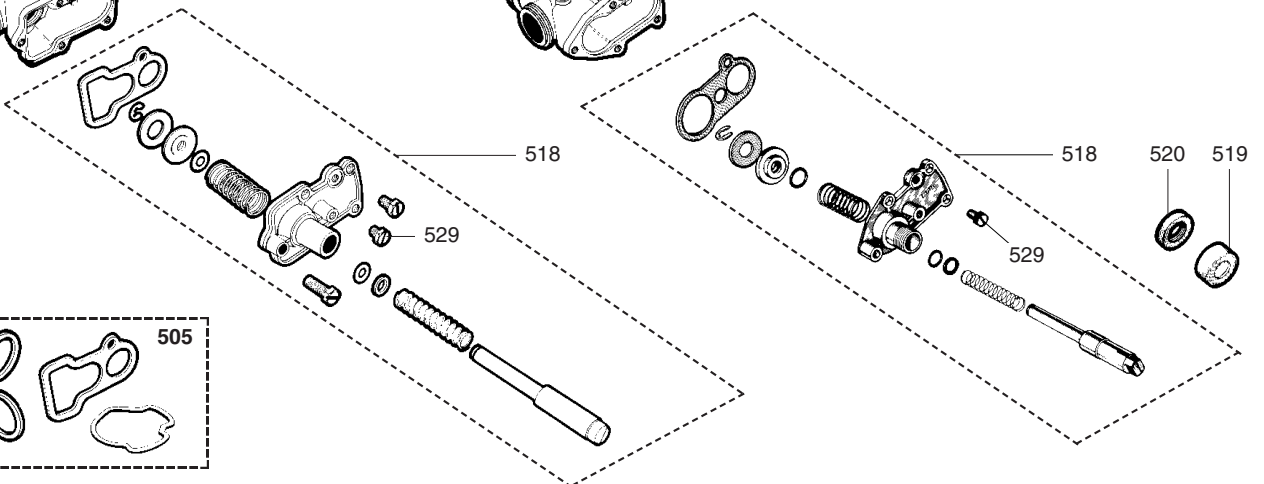
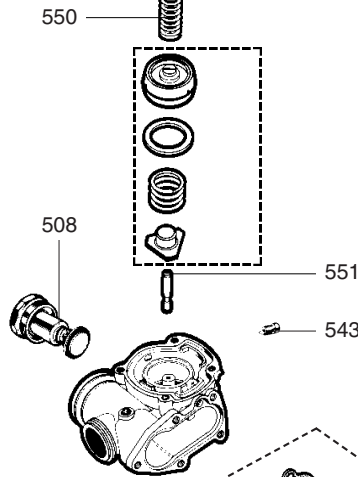
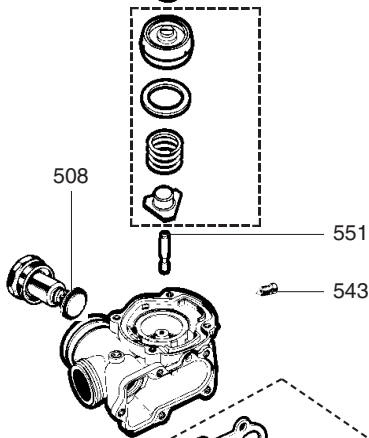
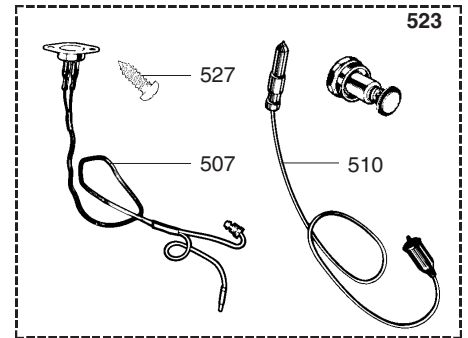
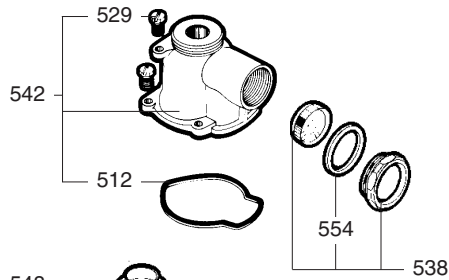
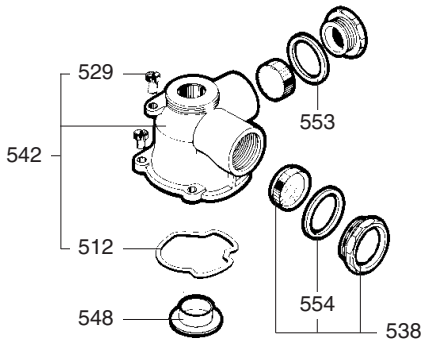
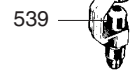
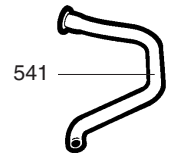
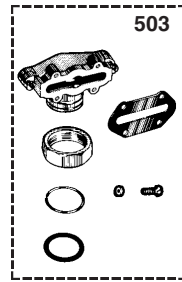
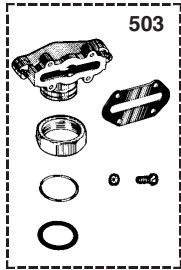
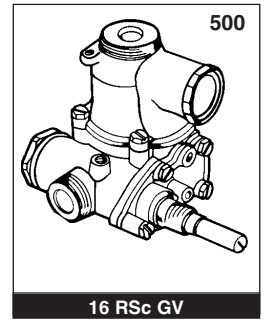
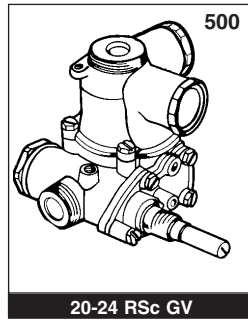
300



200

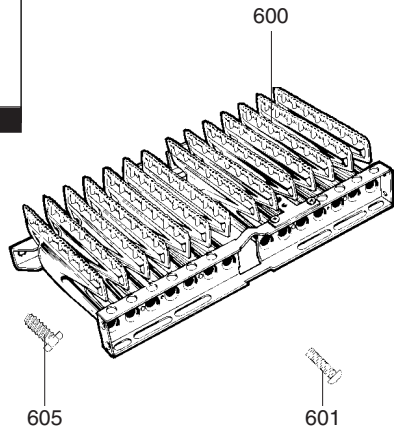
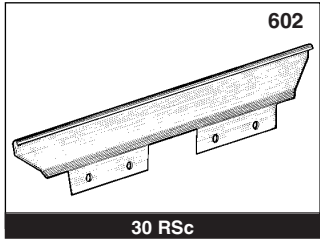
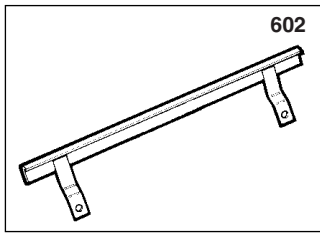




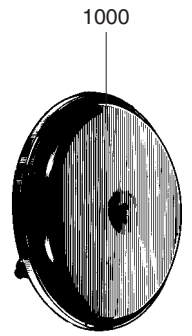
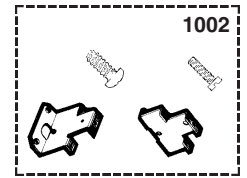
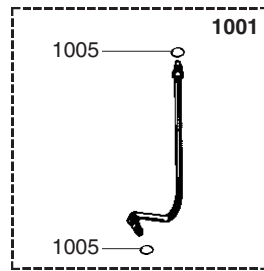
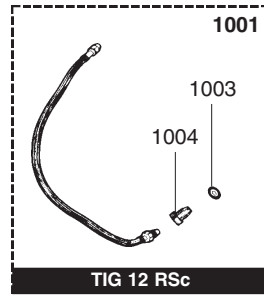


| Rep. | Désignation | Référence | Type | 12 | | 16 | | 18 | | 20 | | | 24 | | | 30 | | Date | |
|------|--------------------------------|-------------|------|--------|-----|--------|-----|--------|-----|--------|-----|----|--------|----|-----|--------|-----|------|-----|
| | | | | TIG 12 | | TIG 16 | | TIG 18 | | TIG 20 | | | TIG 24 | | | TIG 30 | | de | à |
| | | | | CF | VMC | CF | VMC | CF | VMC | CF | VMC | CF | VMC | CF | VMC | CF | VMC | CF | VMC |
| 0500 | ARMATURE GAZ | | | | | | | | | | | | | | | | | | |
| 0503 | EMBASE BRULEUR (POCHETTE) | 60081408 | GV | | | • | • | • | | • | • | | • | | | | | | |
| 0505 | JOINTS ARMATURE GAZ (POCHETTE) | 60081410 | GV | | | • | • | | | | | | | | | | | | |
| | JOINTS ARMATURE GAZ (POCHETTE) | 60081534 | GV | | | | | • | | • | • | | • | | | | | | |
| 0506 | INJECTEUR DE VEILLEUSE (Poch.) | 60081529 | GV | | | • | • | • | | • | • | | • | | | | | | |
| 0507 | THERMOCOUPLE & SECURITE 110°C | 60100342-30 | GV | | | • | • | • | | • | • | | • | | | | | | |
| 0508 | BOUCHON MAGNETIQUE | 60024800 | GV | | | • | • | | | | | | | | | | | | |
| 0510 | ELECTRODE ALLUMAGE | 60060466 | | | | • | • | • | | • | • | | • | | | | | | |
| 0512 | JOINT D'EMBASE | 60024653 | GV | | | • | • | | | | | | | | | | | | |
| | JOINT DE FORME (/Embase) | 60024904 | GV | | | | | • | | • | • | | • | | | | | | |
| 0516 | SUPPORT THERMOCOUPLE | 60044446 | | | | • | • | • | | • | • | | • | | | | | | |
| 0518 | BLOC POUSSOIR (Pochette) | 60081198 | GV | | | • | • | | | | | | | | | | | | |
| 0519 | ECROU MOLETE M 16-1 | 60027409 | | | | • | | • | | | • | | | | | | | | |
| 0520 | CONTRE ECROU M 16-100 | 60014364 | | | | • | | • | | | • | | | | | | | | |
| 0523 | SECURITE GAZ (POCHETTE) | 60081509 | GV | | | • | • | | | | | | | | | | | | |
| 0527 | VIS A TOLE CBLZ D: 3.5-6.5 | 60031521-03 | | | | • | • | • | | • | • | | • | | | | | | |
| 0529 | VIS HS M 6-12 | 60005799-13 | | | | • | • | • | | • | • | | • | | | | | | |
| 0538 | BY-PASS (Pochette) | 60081197 | GV | | | • | • | • | | • | • | | • | | | | | | |
| 0539 | PORTE INJECTEUR | 60034220 | | | | • | • | • | | • | • | | • | | | | | | |
| 0540 | VIS CS M 3-8 | 60010764-03 | | | | • | • | • | | • | • | | • | | | | | | |
| 0541 | TUBE VEILLEUSE | 60045270 | | | | • | • | • | | • | • | | • | | | | | | |
| 0542 | CORPS REGULATEUR (Pochette) | 60081195 | GV | | | • | • | | | | | | | | | | | | |
| 0543 | VIS CB M 6-12 | 60032390-08 | | | | • | • | • | | • | • | | • | | | | | | |
| 0548 | FLOTTEUR | 60025461 | GV | | | | | • | | • | • | | • | | | | | | |
| | FLOTTEUR | 60025463 | GV | | | • | • | | | | | | | | | | | | |
| 0549 | APPUI RESSORT | 60025293 | GV | | | • | • | | | | | | | | | | | | |
| | APPUI RESSORT | 60025367 | GV | | | | | • | | • | • | | • | | | | | | |
| 0550 | RESSORT 14 x 1.5 L: 33 | 60026764 | | | | • | • | • | | • | • | | • | | | | | | |
| 0551 | AXE GAZ | 60014795 | | | | • | • | • | | • | • | | • | | | | | | |
| 0553 | JOINT PLAT D: 34-28.5-1.5 | 60061857-18 | GV | | | | | • | | • | • | | • | | | | | | |
| 0554 | JOINT PLAT D: 34.5-28.2-2 | 60061857-09 | GV | | | • | • | • | | • | • | | • | | | | | | |

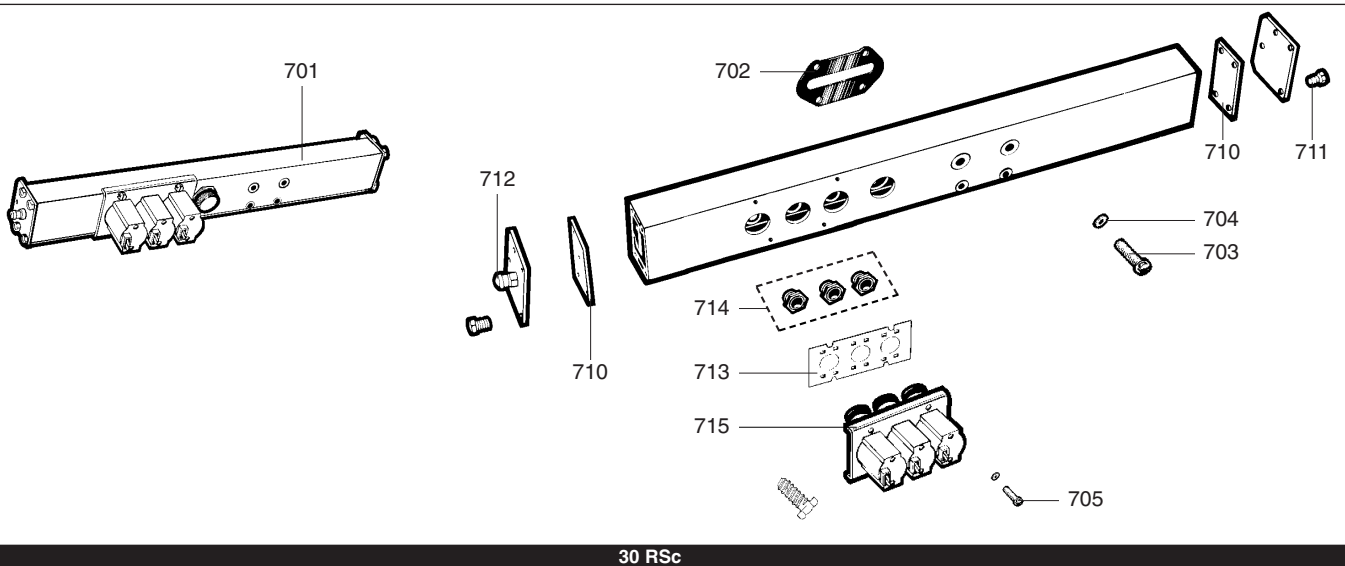
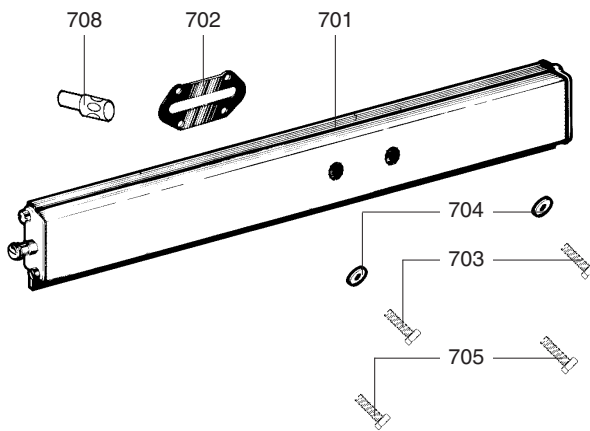
600



1000

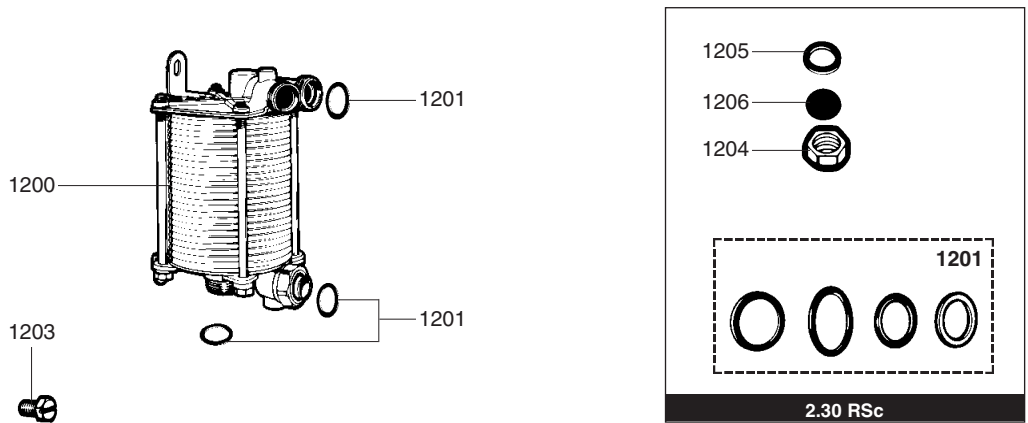
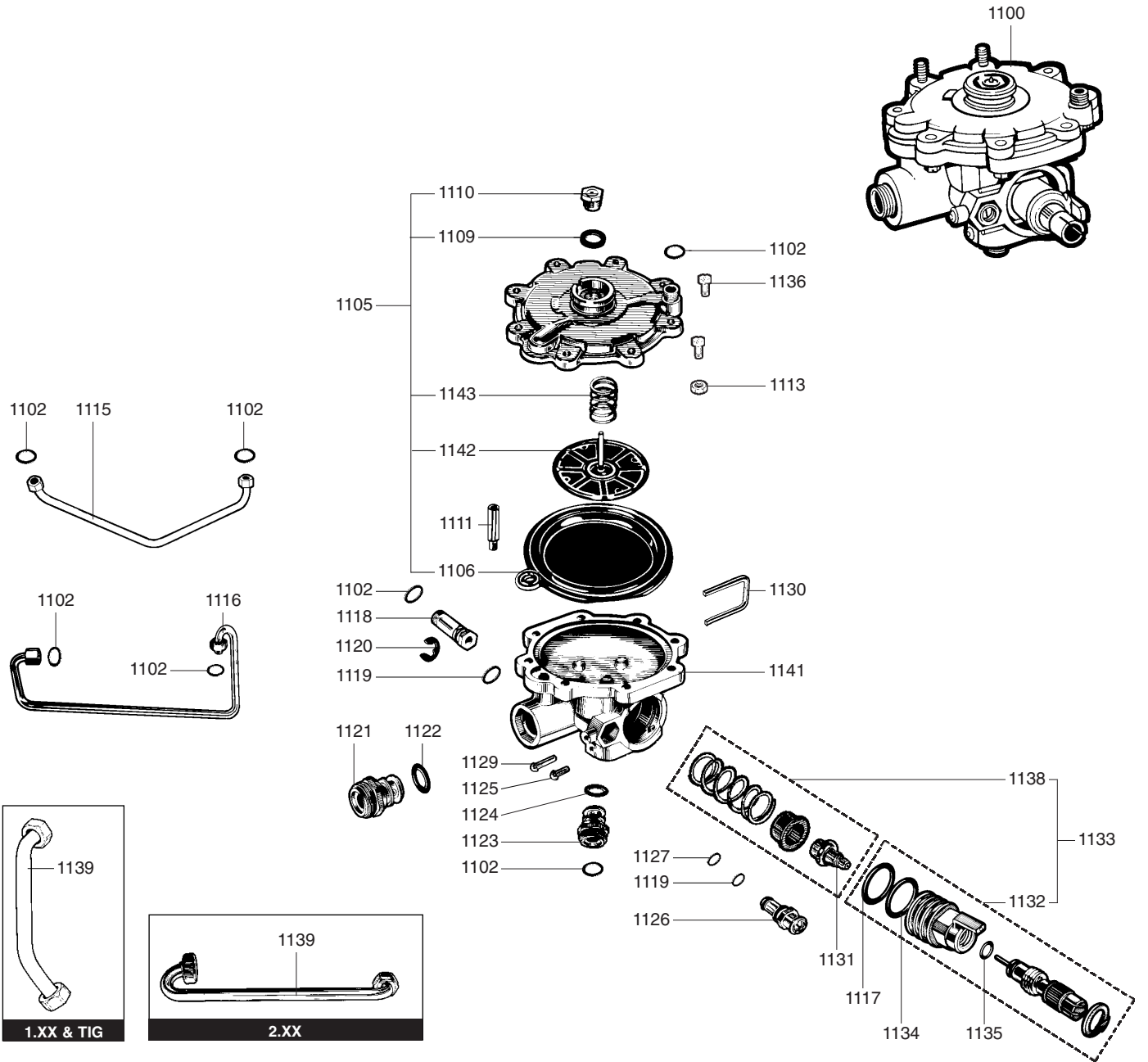


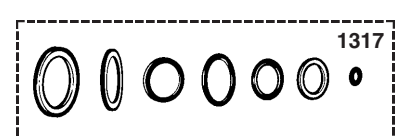
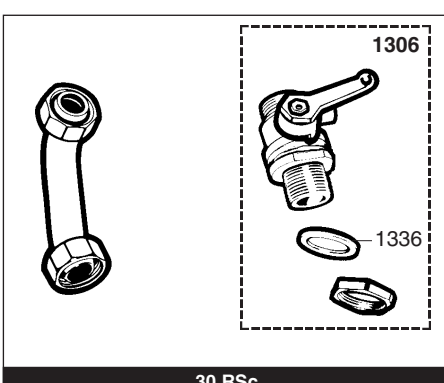
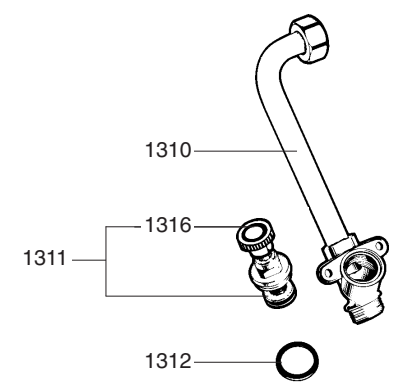
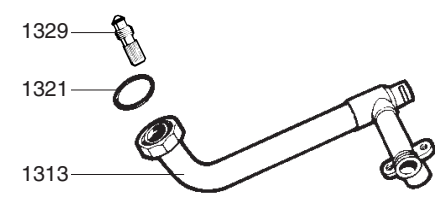
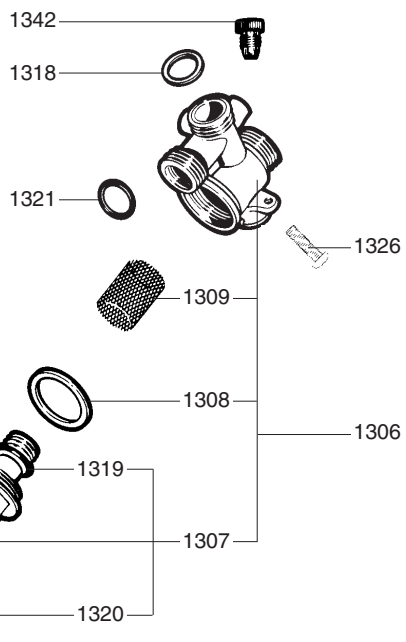
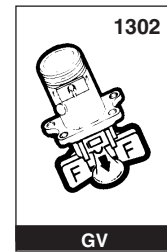
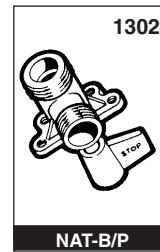
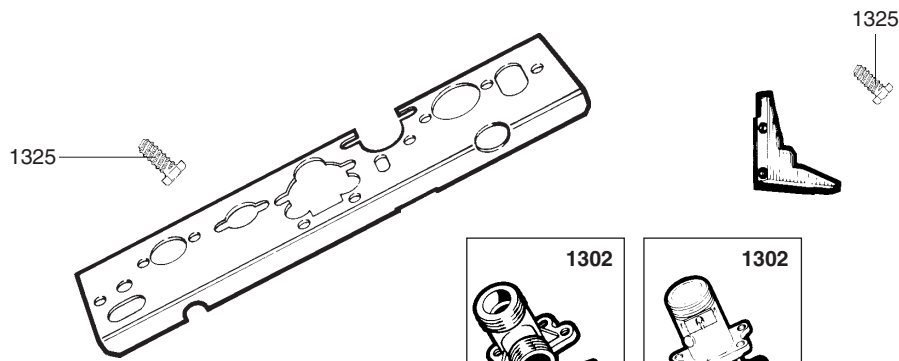
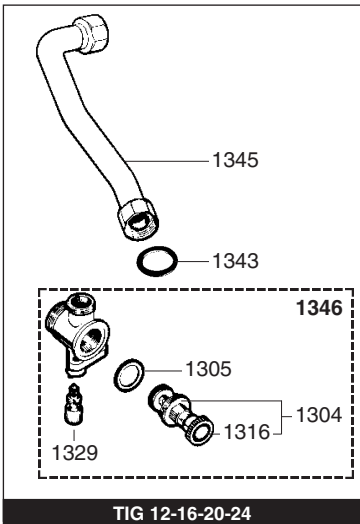
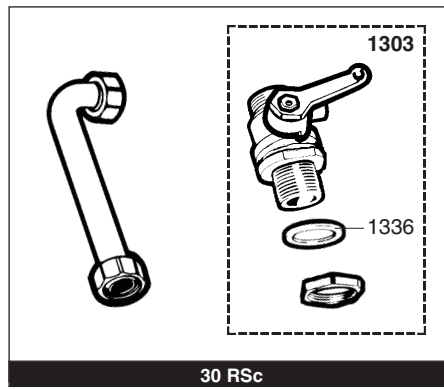
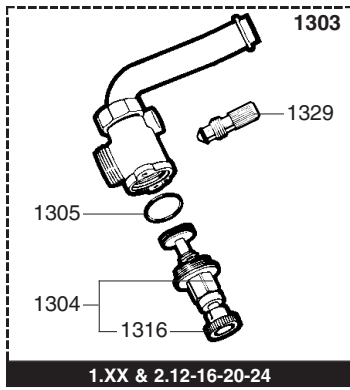
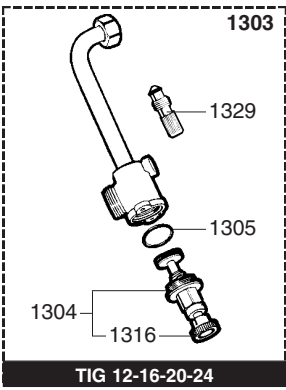
700



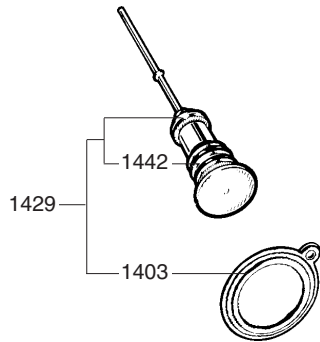
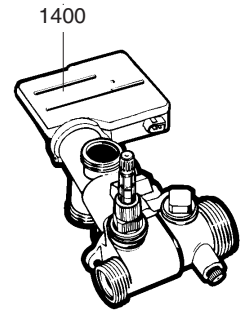
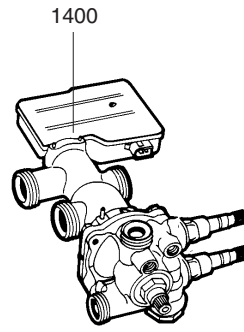
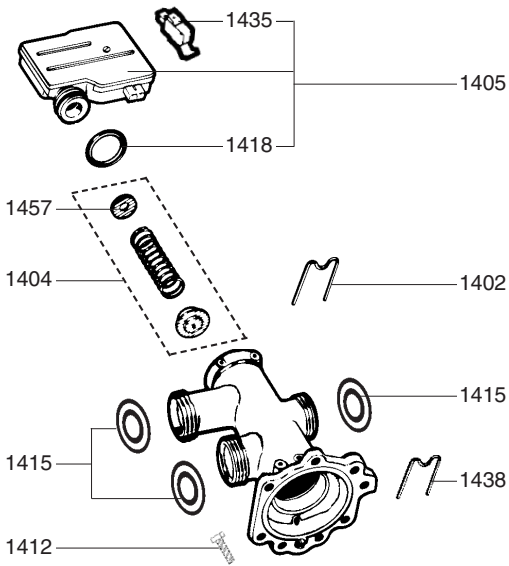
30 RSc

| Rep. | Désignation | Référence | Type | 12 | | 16 | | 18 | | 20 | | 24 | | 30 | | Date | |
|-------------|---------------------------------|-------------|------|------|-----|------|-----|------|-----|------|-----|------|-----|------|-----|------|---|
| | | | | 1-12 | | 1-16 | | 1-18 | | 1-20 | | 1-24 | | 1-30 | | de | à |
| | | | | CF | VMC | CF | VMC | CF | VMC | CF | VMC | CF | VMC | CF | VMC | | |
| 0600 | BLOC DE BECS | 60023009-02 | | | | | | | | | | | | | | | |
| | BLOC DE BECS | 60024400-03 | | | | | | | | | | | | | | | |
| | BLOC DE BECS | 60055596 | | • | • | • | • | • | | | | | | | | | |
| 0601 | VIS M 5-8 | 60015691-03 | | • | • | • | • | • | • | • | • | • | • | | | | |
| 0602 | GOUTTIERE D'ONDE | 60032551 | | | | | | | | • | • | • | • | | | | |
| | GOUTTIERE D'ONDE | 60032552 | | | | | | • | • | • | • | | | | | | |
| | GOUTTIERE D'ONDE | 60039809 | | | | | | | | | | | | • | • | • | |
| | GOUTTIERE D'ONDE | 60044524 | | | | | | | | | | | | | | | |
| 0605 | VIS A TOLE CBLXS D: 6.3-13 | 61010648 | | • | • | • | • | • | • | • | • | • | • | • | • | • | |
| 0700 | NOURRICE | | | | | | | | | | | | | | | | |
| 0701 | NOURRICE 18 INJ. BUT/PROP | 60023008-01 | B/P | | | | | | | • | • | • | | | | | |
| | NOURRICE 14 INJ. BUT/PROP | 60041731 | B/P | | | | | • | • | • | • | | | | | | |
| | NOURRICE 12 INJ. BUT/PROP | 60045685 | B/P | • | • | • | • | • | | | | | | | | | |
| | NOURRICE 24 INJ. BUT/PROP | 60053986 | B/P | | | | | | | | | | | • | | | |
| | NOURRICE 18 INJ. NAT | 60023008-07 | NAT | | | | | | | • | • | • | | | | | |
| | NOURRICE 14 INJ. NAT | 60023194-03 | NAT | | | | | • | • | • | • | | | | | | |
| | NOURRICE 12 INJ. NAT | 60045686 | NAT | • | • | • | • | • | | | | | | | | | |
| | NOURRICE 24 INJ. NAT | 60053985 | NAT | | | | | | | | | | | • | | | |
| 0702 | JOINT DE FORME (/Nourrice) | 60033717 | | • | • | • | • | • | • | • | • | • | • | • | • | • | |
| 0703 | VIS M 5-25 | 60031035-03 | | • | • | • | • | • | • | • | • | • | • | • | • | • | |
| | VIS M 5-35 | 60075760-03 | | | | | | | | | | | | • | • | • | |
| 0704 | RONDELLE D: 10-5-1 | 60022118-03 | | • | • | • | • | • | • | • | • | • | • | • | • | • | |
| 0705 | VIS HX M 5-12 | 61010131 | | • | • | • | • | • | • | • | • | • | • | • | • | • | |
| 0708 | TROMPETTE | 60053762 | GV | | | | | • | | • | | | | | | | |
| 0710 | JOINT DE FORME (/Nourrice) | 60049777 | | | | | | | | | | | | • | • | • | |
| 0712 | VIS DE PRISE DE PRESSION | 60019445 | | | | | | | | | | | | • | • | • | |
| 0713 | JOINT DE FORME (/Electrovanne) | 60049778 | | | | | | | | | | | | • | • | • | |
| 0714 | SIEGES DE CLAPETS (Pochette) | 60081573 | B/P | | | | | | | | | | | • | | | |
| | SIEGES DE CLAPETS (Pochette) | 60081564 | NAT | | | | | | | | | | | • | | | |
| 1000 | VASE D'EXPANSION | 60056676-06 | | • | • | • | • | • | • | • | • | • | • | • | • | • | |
| 1001 | TUBE DE VASE D'EXPANSION | 60044947 | | | | • | | • | • | • | • | | | • | | | |
| | TUBE DE VASE D'EXPANSION | 60053368 | | | | | | | | | | | | • | • | | |
| | DURIT (Pochette) | 60081013 | | | • | • | | | | | | | | | | | |
| 1002 | SUPPORT DE VESPI (Pochette) | 60081014 | | • | • | • | • | • | • | • | • | • | • | • | • | • | |
| 1003 | BAGUE BICONE D: 6 | 60022865 | | | | • | • | | | | | | | | | | |
| 1004 | VIS RACCORD BICONE | 60031269 | | | • | • | | | | | | | | | | | |
| 1005 | JOINT TORIQUE D: 6-1 | 60024164-41 | | • | • | • | • | • | • | • | • | • | • | • | • | • | |
| 1100 | VALVE EAU THERMOSTATIQUE | 60044873 | | • | • | • | | • | • | | • | • | | | | | |
| | VALVE EAU THERMOSTATIQUE | 60045193 | | | | • | | • | • | • | • | • | | | | | |
| 1102 | JOINT TORIQUE D: 6-1 | 60024164-41 | | • | • | • | • | • | • | • | • | • | • | • | • | • | |
| 1105 | REFECTION VALVE EAU (Pochette) | 60100605-30 | | • | • | • | • | • | • | • | • | • | • | • | • | • | |
| 1106 | MEMBRANE | 60022171-10 | | • | • | • | • | • | • | • | • | • | • | • | • | • | |
| 1109 | JOINT PLAT D: 14.8-10.3-1.5 | 60061854-11 | | • | • | • | • | • | • | • | • | • | • | • | • | • | |
| 1110 | PRESSE ETOUPE | 60022639 | | • | • | • | | • | • | • | • | • | • | • | • | • | |
| 1111 | TUBE COMMUNICATION | 60025043 | | • | • | • | • | • | • | • | • | • | • | • | • | • | |
| | TUBE COMMUNICATION | 60026418 | | | | • | | • | • | • | | • | • | | | | |
| 1113 | ECROU H M 5-0.80 | 60008664-13 | | • | • | • | • | • | • | • | • | • | • | • | • | • | |
| 1115 | TUBE DE SURPRESSION | 60055985 | | • | • | • | • | • | • | • | • | • | • | • | • | • | |
| 1116 | TUBE DEPRESSION | 60045328 | | | | • | | • | • | • | | • | • | | | | |
| 1117 | JOINT TORIQUE D: 21.3-3.6 | 60024183-25 | | • | • | • | • | • | • | • | • | • | • | • | • | • | |
| 1118 | RACCORD M 10x100 | 60045582-08 | | • | • | • | • | • | • | • | • | • | • | • | • | • | |
| 1119 | JOINT TORIQUE D: 7.2-1.9 | 60024183-12 | | • | • | • | • | • | • | • | • | • | • | • | • | • | |
| 1120 | CIRCLIPS EXT D: 8 | 60020769-23 | | • | • | • | • | • | • | • | • | • | • | • | • | • | |
| 1121 | RACCORD M 3/8 | 60045581-08 | | • | • | • | • | • | • | • | • | • | • | • | • | • | |
| 1122 | JOINT TORIQUE D: 12.1-2.7 | 60024183-16 | | • | • | • | • | • | • | • | • | • | • | • | • | • | |
| 1123 | RACCORD SURPRESSION | 60053715 | | • | • | • | • | • | • | • | • | • | • | • | • | • | |
| 1124 | JOINT TORIQUE D: 5.7-1.9 | 60024183-10 | | • | • | • | • | • | • | • | • | • | • | • | • | • | |
| 1125 | CLOU CANNELE D: 3-16 | 60042551 | | • | • | • | • | • | • | • | • | • | • | • | • | • | |
| 1126 | BY-PASS | 60042553 | | | | • | | • | • | • | | • | • | | | | |
| 1127 | JOINT TORIQUE D: 4.9-1.9 | 60024183-09 | | | | • | | • | • | • | | • | • | | | | |
| 1129 | CLOU CANNELE D: 3-10 | 60042552 | | | | • | | • | • | • | | • | • | | | | |
| 1130 | CLIP | 60023537-03 | | • | • | • | • | • | • | • | • | • | • | • | • | • | |
| 1131 | ELEMENT THERMOSTATIQUE | 60034779 | | • | • | • | • | • | • | • | • | • | • | • | • | • | |
| 1132 | ELEMENT DE MANOEUVRE | 60034799 | | • | • | • | • | • | • | • | • | • | • | • | • | • | |
| 1133 | ELEMENT DE MANOEUVRE (Poch.) | 60100600-30 | | • | • | • | • | • | • | • | • | • | • | • | • | • | |
| 1134 | JOINT TORIQUE D: 23-3.6 | 60024183-32 | | • | • | • | • | • | • | • | • | • | • | • | • | • | |
| 1135 | JOINT TORIQUE D: 7.2-1.9 | 60024164-12 | | • | • | • | • | • | • | • | • | • | • | • | • | • | |
| 1136 | VIS M 5-15 | 60031088-03 | | • | • | • | • | • | • | • | • | • | • | • | • | • | |

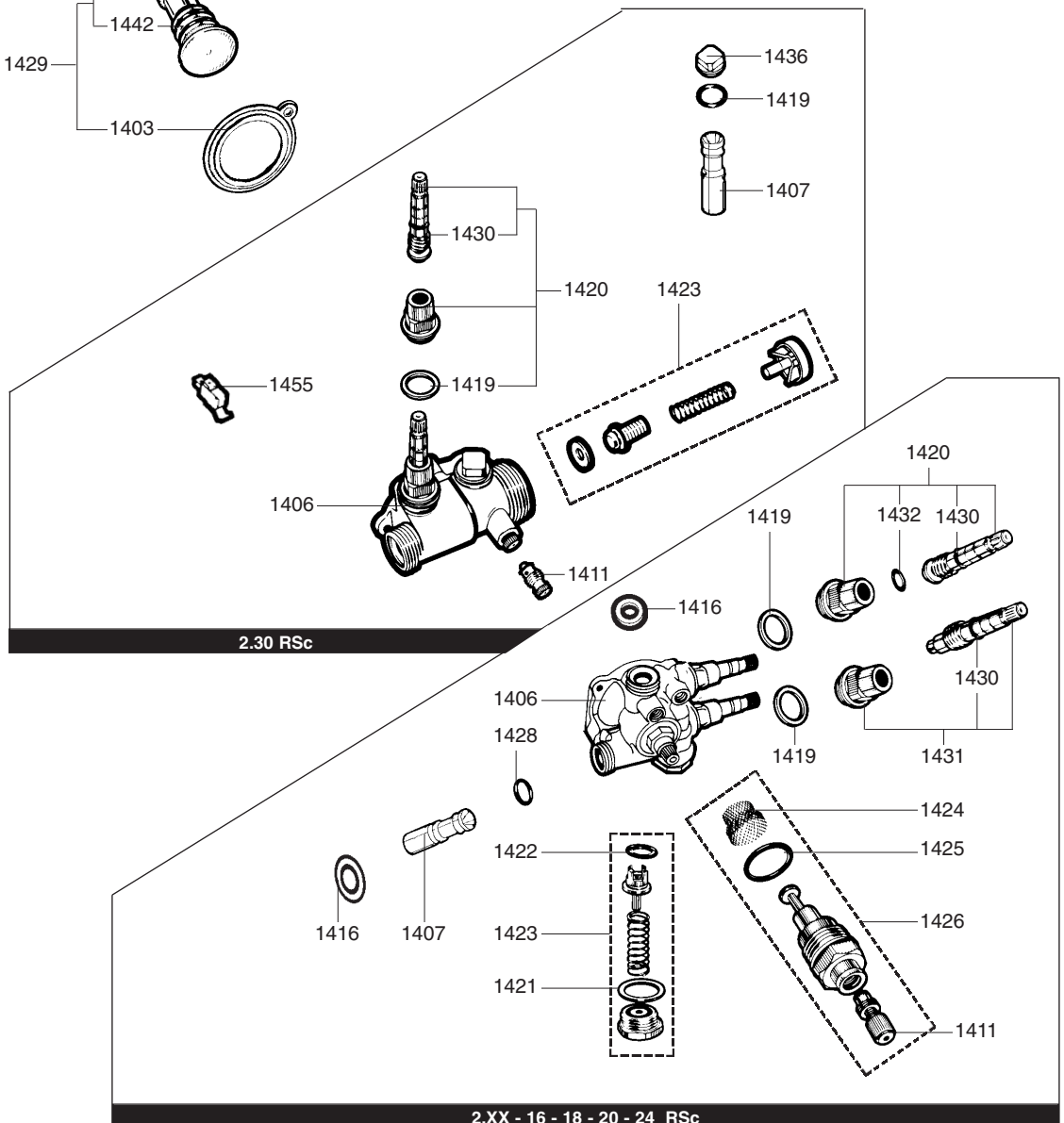
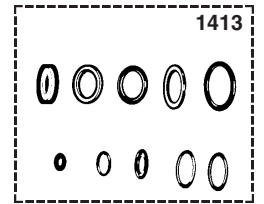




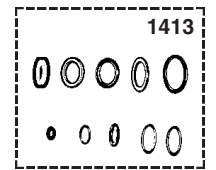
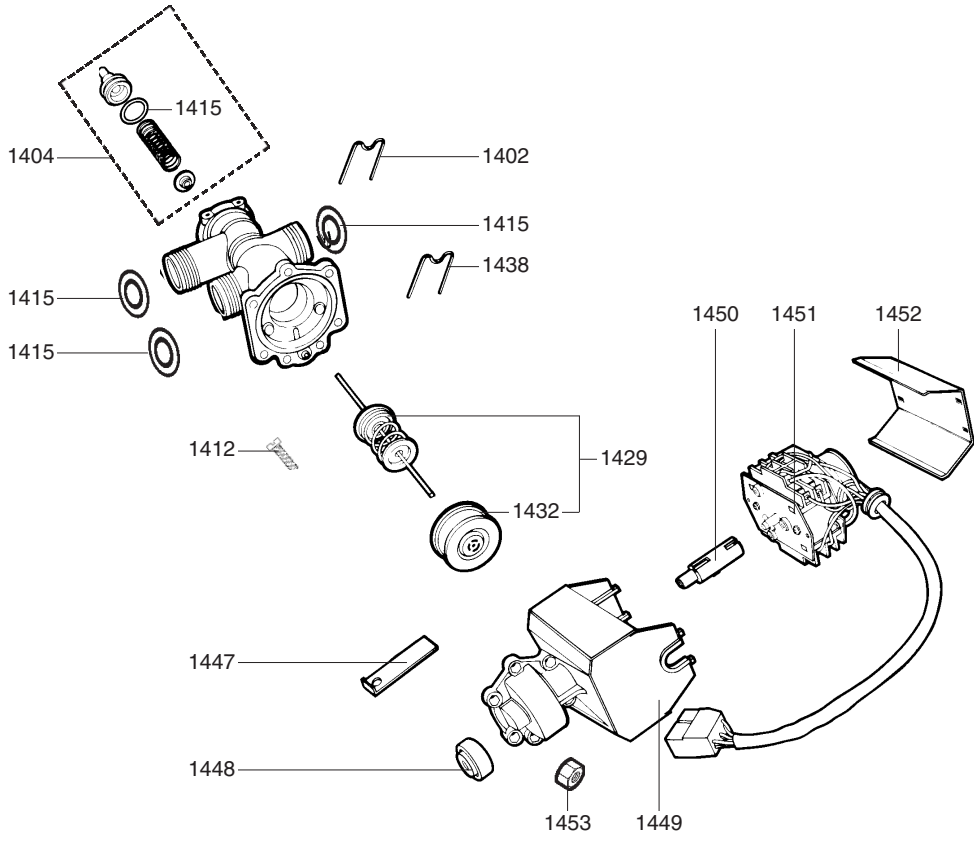
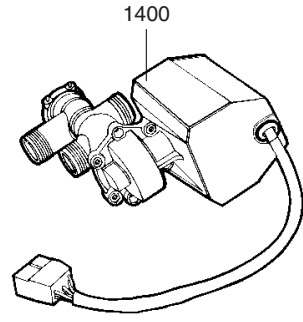
| Rep. | Désignation | Référence | Type | 12 | | 16 | | 18 | | 20 | | 24 | | 30 | | Date | | | | | | | | | | | | | | | |
|-------------|---------------------------------|-------------|---------|------|----|--------|----|------|-----|------|----|--------|----|------|-----|------|----|--------|----|------|-----|------|----|--------|----|------|-----|------|----|--------|----|
| | | | | 1-12 | | TIG 12 | | 2-16 | | 1-16 | | TIG 16 | | 2-20 | | 1-20 | | TIG 20 | | 2-24 | | 1-24 | | TIG 24 | | 2-30 | | 1-30 | | TIG 30 | |
| | | | | CF | CF | VMC | CF | CF | VMC | CF | CF | VMC | CF | CF | VMC | CF | CF | VMC | CF | CF | VMC | CF | CF | VMC | CF | CF | VMC | CF | CF | VMC | de |
| 1300 | BARRETTE DE ROBINETTERIE | | | | | | | | | | | | | | | | | | | | | | | | | | | | | | |
| 1302 | ROBINET GAZ | 60045804 | GV | | | | | | | | | | | | | | | | | | | | | | | | | | | | |
| | ROBINET GAZ | 60044500 | NAT-B/P | • | • | • | • | • | • | • | • | • | • | • | • | • | • | | | | | | | | | | | | | | |
| 1303 | TUBE DEPART CHAUFFAGE | 60045476 | | • | • | • | • | • | • | • | • | • | • | • | • | • | • | | | | | | | | | | | | | | |
| | TUBE DEPART CHAUFFAGE | 60048475 | | • | | | | | | | | | | | | | | | | | | | | | | | | | | | |
| | TUBE DEPART CHAUFFAGE | 60048476 | | | | | | | | | | | | | | | | | | | | | | | | | | | | | |
| | TUBE DEPART CHAUFFAGE | 60073662 | | | | | | | | | | | | | | | | | | | | | | | | | | | | | |
| | ROBINET DEPART CHAUFF. (Poch.) | 60081560 | | | | | | | | | | | | | | | | | | | | | | | | | | | | | |
| 1304 | TETE DE ROBINET ENS | 60067704 | | • | • | • | • | • | • | • | • | • | • | • | • | • | • | | | | | | | | | | | | | | |
| 1305 | JOINT PLAT D: 29.6-25.5-1.5 | 60061856-04 | | • | • | • | • | • | • | • | • | • | • | • | • | • | • | | | | | | | | | | | | | | |
| 1306 | ROBINET RETOUR CHAUFFAGE 3/4" | 60044550 | | | | | | | | | | | | | | | | | | | | | | | | | | | | | |
| | ROBINET RETOUR CHAUFF. (Poch.) | 60081561 | | | | | | | | | | | | | | | | | | | | | | | | | | | | | |
| | ROBINET RETOUR CHAUFF. (Poch.) | 60081579 | | | | | | | | | | | | | | | | | | | | | | | | | | | | | |
| 1307 | TETE DE ROBINET ENS | 60031040 | | • | • | • | • | • | • | • | • | • | • | • | • | • | • | | | | | | | | | | | | | | |
| 1308 | JOINT PLAT D: 38-32.2-1.5 | 60061857-23 | | • | • | • | • | • | • | • | • | • | • | • | • | • | • | | | | | | | | | | | | | | |
| 1309 | FILTRE | 60025261 | | • | • | • | • | • | • | • | • | • | • | • | • | • | • | | | | | | | | | | | | | | |
| 1310 | TUBE EAU FROIDE | 60048660 | | | | | | | | | | | | | | | | | | | | | | | | | | | | | |
| 1311 | TETE DE ROBINET ENS | 60067704 | | | | | | | | | | | | | | | | | | | | | | | | | | | | | |
| | TETE DE ROBINET ENS | 60069115 | | | | | | | | | | | | | | | | | | | | | | | | | | | | | |
| 1312 | JOINT PLAT D: 29.6-25.5-1.5 | 60061856-04 | | | | | | | | | | | | | | | | | | | | | | | | | | | | | |
| | JOINT PLAT D: 24.3-21-1.5 | 60061856-13 | | | | | | | | | | | | | | | | | | | | | | | | | | | | | |
| 1313 | TUBE EAU CHAUDE SANITAIRE | 60074744-08 | | | | | | | | | | | | | | | | | | | | | | | | | | | | | |
| | TUBE EAU CHAUDE SANIT. EQUIPE | 60078766 | | | | | | | | | | | | | | | | | | | | | | | | | | | | | |
| 1316 | BOUCHON DE MANOEUVRE | 60066107 | | • | • | • | • | • | • | • | • | • | • | • | • | • | • | | | | | | | | | | | | | | |
| 1317 | JOINTS PLAQUE ROBINET. (Poch.) | 60081061 | | • | • | • | • | • | • | • | • | • | • | • | • | • | • | | | | | | | | | | | | | | |
| 1318 | JOINT PLAT D: 24-16.2-1.5 | 60061855-02 | | • | • | • | • | • | • | • | • | • | • | • | • | • | • | | | | | | | | | | | | | | |
| 1319 | JOINT TORIQUE D: 16.9-2.7 | 60024164-21 | | • | • | • | • | • | • | • | • | • | • | • | • | • | • | | | | | | | | | | | | | | |
| 1320 | JOINT TORIQUE D: 15.1-2.7 | 60024164-20 | | • | • | • | • | • | • | • | • | • | • | • | • | • | • | | | | | | | | | | | | | | |
| 1321 | JOINT TORIQUE D: 16-1.9 | 60024183-37 | | | | | | | | | | | | | | | | | | | | | | | | | | | | | |
| 1325 | VIS A TOLE CBLX D: 6.3-13 | 61010648 | | • | • | • | • | • | • | • | • | • | • | • | • | • | • | | | | | | | | | | | | | | |
| 1326 | VIS M 6-10 | 60031527-03 | | • | • | • | • | • | • | • | • | • | • | • | • | • | • | | | | | | | | | | | | | | |
| 1329 | PURGEUR EQUIPE (Pochette) | 60081028 | | • | • | • | • | • | • | • | • | • | • | • | • | • | • | | | | | | | | | | | | | | |
| 1336 | JOINT PLAT D: 42-34-1.5 | 60061857-24 | | | | | | | | | | | | | | | | | | | | | | | | | | | | | |
| 1337 | CLIP | 60031546 | | | | | | | | | | | | | | | | | | | | | | | | | | | | | |
| 1342 | BOUCHON M 10-100 | 60036342-08 | | | | | | | | | | | | | | | | | | | | | | | | | | | | | |
| 1343 | JOINT TORIQUE D: 16-1.9 | 60024183-37 | | • | • | | | | | | | | | | | | | | | | | | | | | | | | | | |
| 1345 | TUBE DEPART | 60074759 | | • | • | | | | | | | | | | | | | | | | | | | | | | | | | | |
| 1346 | ROBINET | 60031721 | | • | • | | | | | | | | | | | | | | | | | | | | | | | | | | |



- 1427
- 1409
- 1408

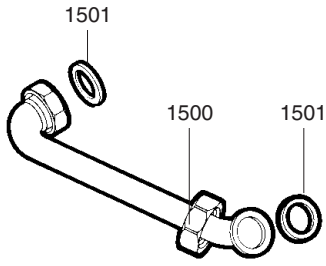


| Rep. | Désignation | Référence | Type | 12 | | 16 | | 18 | | 20 | | 24 | | 30 | | Date | |
|------|--------------------------------|-------------|------|------|-----|------|-----|------|-----|------|-----|------|-----|------|-----|------|-------|
| | | | | 1-12 | | 1-16 | | 1-18 | | 1-20 | | 1-24 | | 1-30 | | de | à |
| | | | | CF | VMC | CF | VMC | CF | VMC | CF | VMC | CF | VMC | CF | VMC | | |
| 1400 | VALVE DISTRIBUTRICE ENS | 60030586 | | | | | | | | | | | | | | | |
| | VALVE DISTRIBUTRICE ENS - FR | 60045596 | | | | | | | | | | | | | | | |
| | VALVE DISTRIBUTRICE ENS | 60045610 | | | | | | | | | | | | | | | |
| | VALVE DISTRIBUTRICE ENS | 60045626 | | | | | | | | | | | | | | | |
| | VALVE DISTRIBUTRICE ENS | 60053957 | | | | | | | | | | | | | | | |
| 1402 | CLIP | 60031764 | | | | | | | | | | | | | | | |
| 1403 | MEMBRANE | 60019016-10 | | | | | | | | | | | | | | | |
| | MEMBRANE | 60025809-30 | | | | | | | | | | | | | | | |
| 1404 | CLAPET CIRCUIT COURT (Poch.) | 60081178 | | | | | | | | | | | | | | | |
| 1405 | BOITIER MICRORUPTEUR | 60031107-10 | | | | | | | | | | | | | | | |
| | BOITIER MICRORUPTEUR | 60046713 | | | | | | | | | | | | | | | |
| | BOITIER MICRORUPTEUR | 60059292 | | | | | | | | | | | | | | | |
| 1406 | FOND DE VD EQUIPE (Pochette) | 60081528 | | | | | | | | | | | | | | | |
| | FOND DE VD EQUIPE (Pochette) | 60081562 | | | | | | | | | | | | | | | |
| 1407 | VENTURI D: 5.2 | 60031664-08 | | | | | | | | | | | | | | | |
| | VENTURI D: 5.4 | 60032803-08 | | | | | | | | | | | | | | | |
| 1408 | SIEGE DE CLAPET D: 7 | 60038901-08 | | | | | | | | | | | | | | | |
| 1409 | BILLE | 60016162 | | | | | | | | | | | | | | | |
| 1411 | PURGEUR EQUIPE (Pochette) | 60081028 | | | | | | | | | | | | | | | |
| 1412 | VIS HX M 5-12 | 61010131 | | | | | | | | | | | | | | | |
| 1413 | JOINTS VALVE DISTRIBUT (Poch.) | 60081279 | | | | | | | | | | | | | | | |
| 1415 | JOINT TORIQUE D: 16-1.9 | 60024183-37 | | | | | | | | | | | | | | | |
| 1416 | JOINT TORIQUE D: 11.1-1.78 | 60024183-38 | | | | | | | | | | | | | | | |
| 1418 | JOINT TORIQUE D: 19.8-3.6 | 60024164-24 | | | | | | | | | | | | | | | |
| 1419 | JOINT PLAT D: 20.1-17.1-1.5 | 60061855-09 | | | | | | | | | | | | | | | |
| 1420 | ROBINET DE REMPLISSAGE | 60030959 | | | | | | | | | | | | | | | |
| 1421 | JOINT PLAT D: 23.9-20.1-1.5 | 60061855-03 | | | | | | | | | | | | | | | |
| 1422 | JOINT PLAT D: 15-8.5-1.5 | 60030867 | | | | | | | | | | | | | | | |
| 1423 | CLAPET ANTI-RETOUR (Pochette) | 60081027 | | | | | | | | | | | | | | | |
| | CLAPET BY-PASS (Pochette) | 60081182 | | | | | | | | | | | | | | | |
| 1424 | FILTRE | 60031226 | | | | | | | | | | | | | | | |
| 1425 | JOINT TORIQUE D: 22-2 | 60024959-03 | | | | | | | | | | | | | | | |
| 1426 | REGULATEUR EAU | 60031055 | | | | | | | | | | | | | | | |
| 1427 | DIAPHRAGME EAU D: 4.42 | 60023206-03 | | | | | | | | | | | | | | | |
| | DIAPHRAGME EAU D: 4.05 | 60023206-04 | | | | | | | | | | | | | | | |
| | DIAPHRAGME EAU D: 3.6 | 60023206-19 | | | | | | | | | | | | | | | |
| 1428 | JOINT TORIQUE D: 8.9-1.9 | 60024164-13 | | | | | | | | | | | | | | | |
| 1429 | CLAPET CHAUFFAGE | 60100503-30 | | | | | | | | | | | | | | | |
| | CLAPET CHAUFFAGE (Pochette) | 60100506-30 | | | | | | | | | | | | | | | |
| 1430 | JOINT TORIQUE D: 5.7-1.9 | 60024164-10 | | | | | | | | | | | | | | | |
| 1431 | SELECTEUR DE TEMPERATURE ENS | 60030958 | | | | | | | | | | | | | | | |
| | SELECTEUR DE TEMPERATURE ENS | 60031993 | | | | | | | | | | | | | | | |
| 1432 | JOINT TORIQUE D: 4.2-1.9 | 60024164-08 | | | | | | | | | | | | | | | |
| 1435 | MICRO CONTACT SIMPLE | 60034881 | | | | | | | | | | | | | | | 09/89 |
| | MICRO CONTACT SIMPLE | 60034881 | | | | | | | | | | | | | | | |
| | MICRO CONTACT SIMPLE | 61001157 | | | | | | | | | | | | | | | 10/89 |
| 1436 | BOUCHON 3/8 | 60043784-08 | | | | | | | | | | | | | | | |
| 1438 | CLIP | 60025076-03 | | | | | | | | | | | | | | | |
| 1442 | PRESSE ETOUPE | 60031073 | | | | | | | | | | | | | | | |
| 1455 | MICRO CONTACT DOUBLE | 60054732 | | | | | | | | | | | | | | | 09/89 |
| | MICRO CONTACT DOUBLE | 61001156 | | | | | | | | | | | | | | | 10/89 |
| 1457 | RONDELLE D: 16-6.2-0.5 | 60031280-01 | | | | | | | | | | | | | | | |

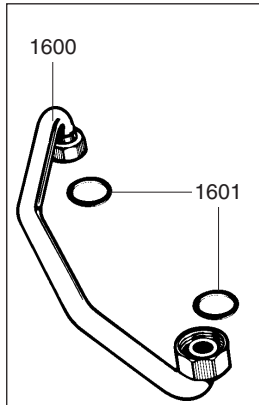


| Rep. | Désignation | Référence | Type | 12 | | 16 | | 18 | | 20 | | 24 | | 30 | | Date | |
|------|--------------------------------|-------------|------|--------|-----|--------|-----|--------|-----|--------|-----|--------|-----|--------|-----|------|---|
| | | | | TIG 12 | | TIG 16 | | TIG 18 | | TIG 20 | | TIG 24 | | TIG 30 | | de | à |
| | | | | CF | VMC | CF | VMC | CF | VMC | CF | VMC | CF | VMC | CF | VMC | | |
| 1400 | VALVE DISTRIBUTRICE TI | 60045652 | | • | • | | | | | • | | | | • | | | |
| 1402 | CLIP | 60031764 | | • | • | | | | | • | | | | • | | | |
| 1404 | CLAPET (Pochette) | 60081513 | | • | • | | | | | • | | | | • | | | |
| 1412 | VIS H M 5-20 | 60019317 | | • | • | | | | | • | | | | • | | | |
| 1413 | JOINTS VALVE DISTRIBUT (Poch.) | 60081176 | | • | • | | | | | • | | | | • | | | |
| 1415 | JOINT TORIQUE D: 19.8-3.6 | 60024164-24 | | • | • | | | | | • | | | | • | | | |
| 1429 | CLAPET CHAUFFAGE (Pochette) | 60081514 | | • | • | | | | | • | | | | • | | | |
| 1432 | JOINT TORIQUE D: 25-2.4 | 60024164-32 | | • | • | | | | | • | | | | • | | | |
| 1438 | CLIP | 60025076-03 | | • | • | | | | | • | | | | • | | | |
| 1447 | LAME VD TI | 60026206 | | • | • | | | | | • | | | | • | | | |
| 1448 | CAME MANOEUVRE | 60026203 | | • | • | | | | | • | | | | • | | | |
| 1449 | CARTER MOTO REDUCTEUR | 60026003 | | • | • | | | | | • | | | | • | | | |
| 1450 | AXE CAME | 60026202 | | • | • | | | | | • | | | | • | | | |
| 1451 | MOTEUR REDUCTEUR | 60045350 | | • | • | | | | | • | | | | • | | | |
| 1452 | COUVERCLE COTE MOTEUR | 60026207 | | • | • | | | | | • | | | | • | | | |
| 1453 | ECROU H M 5-0.80 | 60008664-13 | | • | • | | | | | • | | | | • | | | |

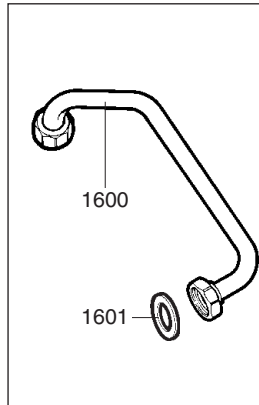
1500



1600

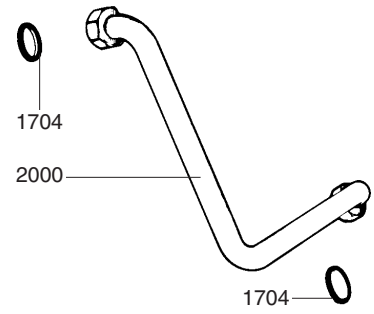


12-16-18-20-24 RSc

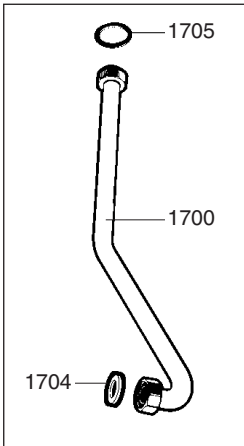


30 RSc

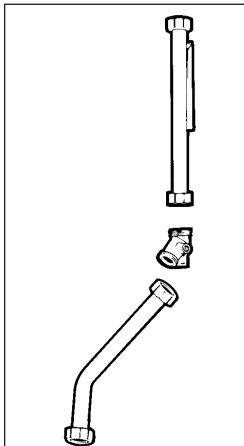
2000



1700

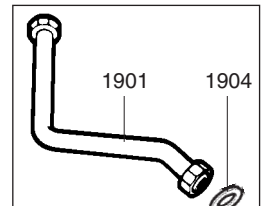
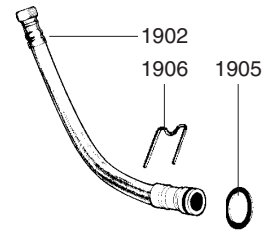
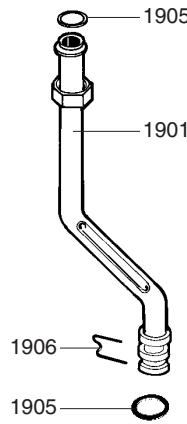


12-16-18-20-24 RSc



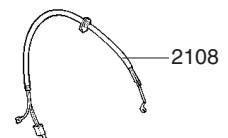
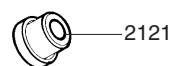
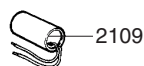
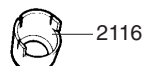
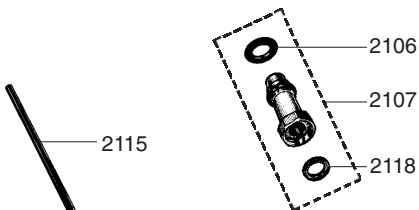
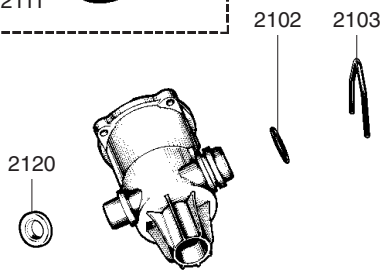
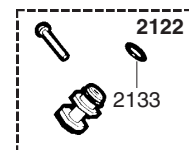
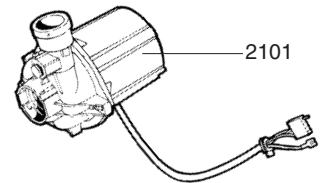
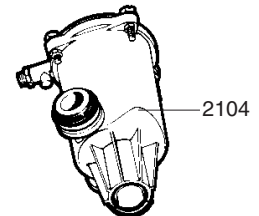
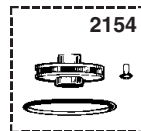
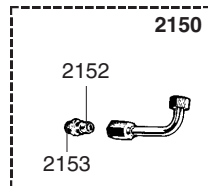
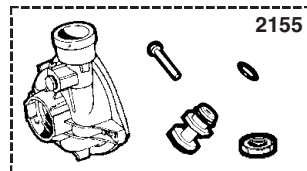
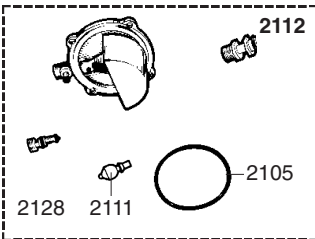
1.30 RSc

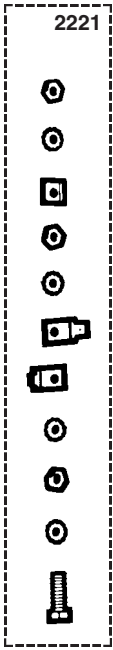
1900



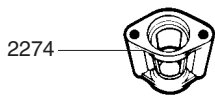
30 RSc

2100

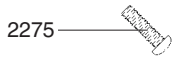




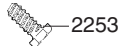
2221



2274



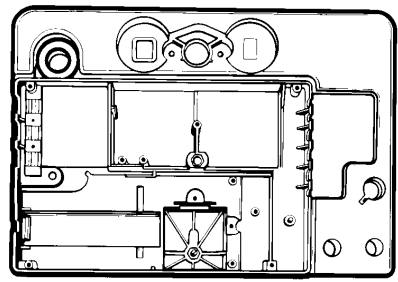
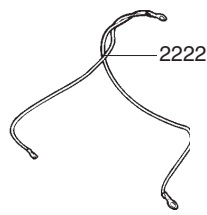
2275



2253



2222



2212



2205



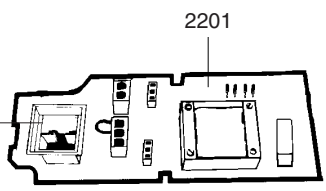
2207



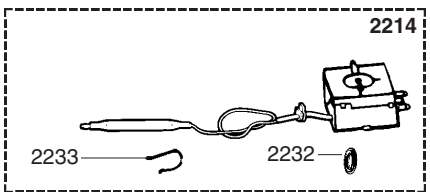
2246



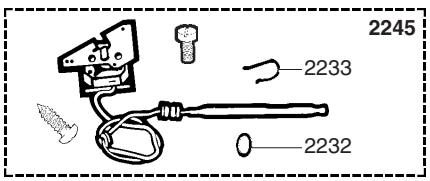
2258



2201



2214



2245



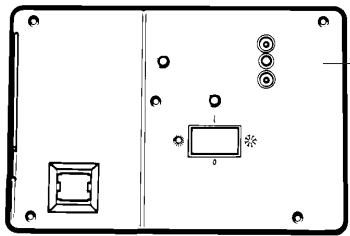
2215



2265



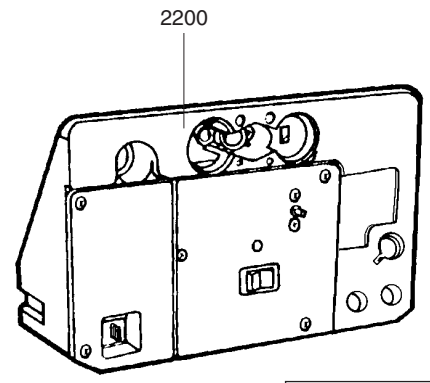
2208



2240

2225

2249



2200



2247



2248



2249



2277



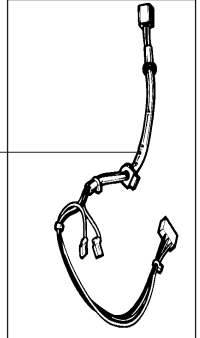
2236



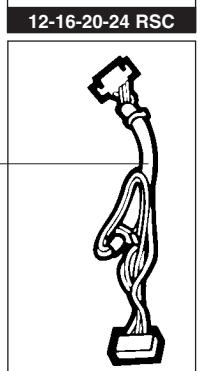
2250



2249



2219



2219

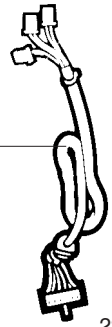
12-16-20-24 RSC

2.30 RSC



2220

2252



2264



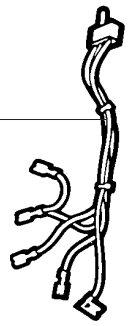
2226



2225



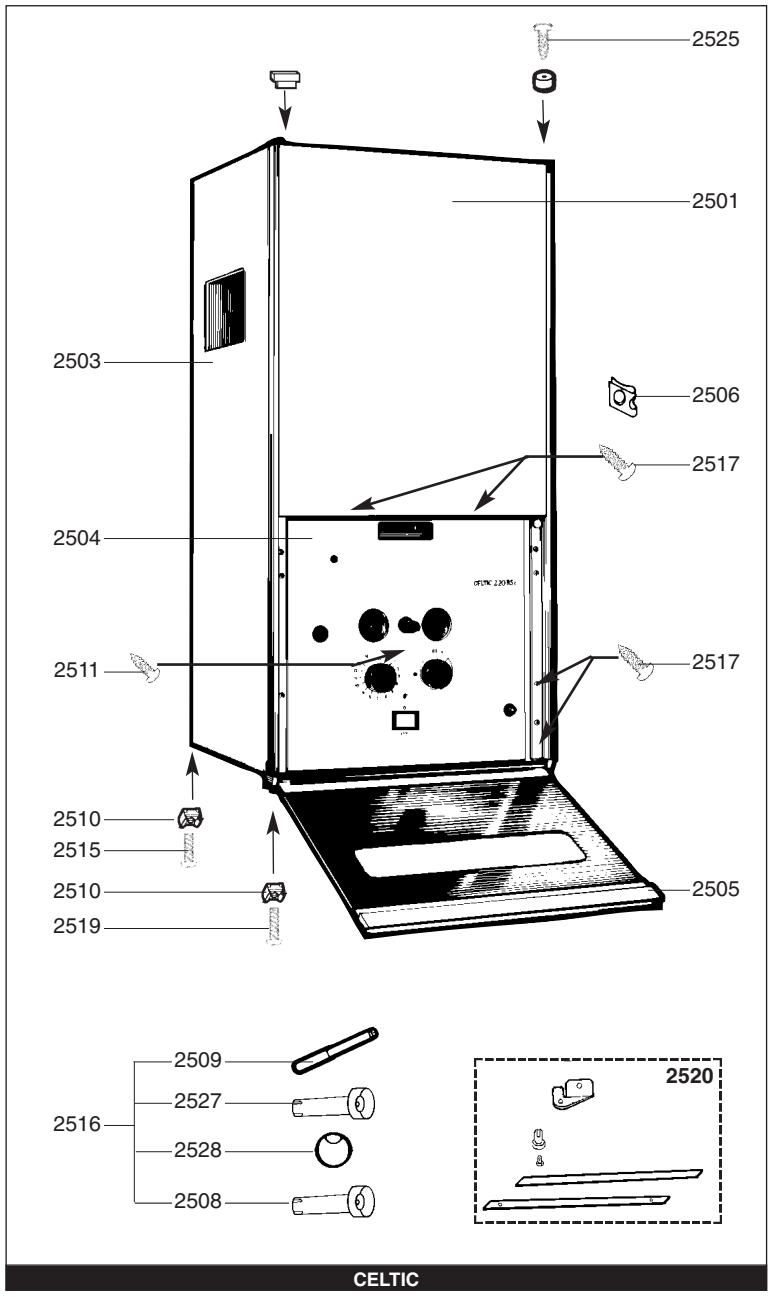
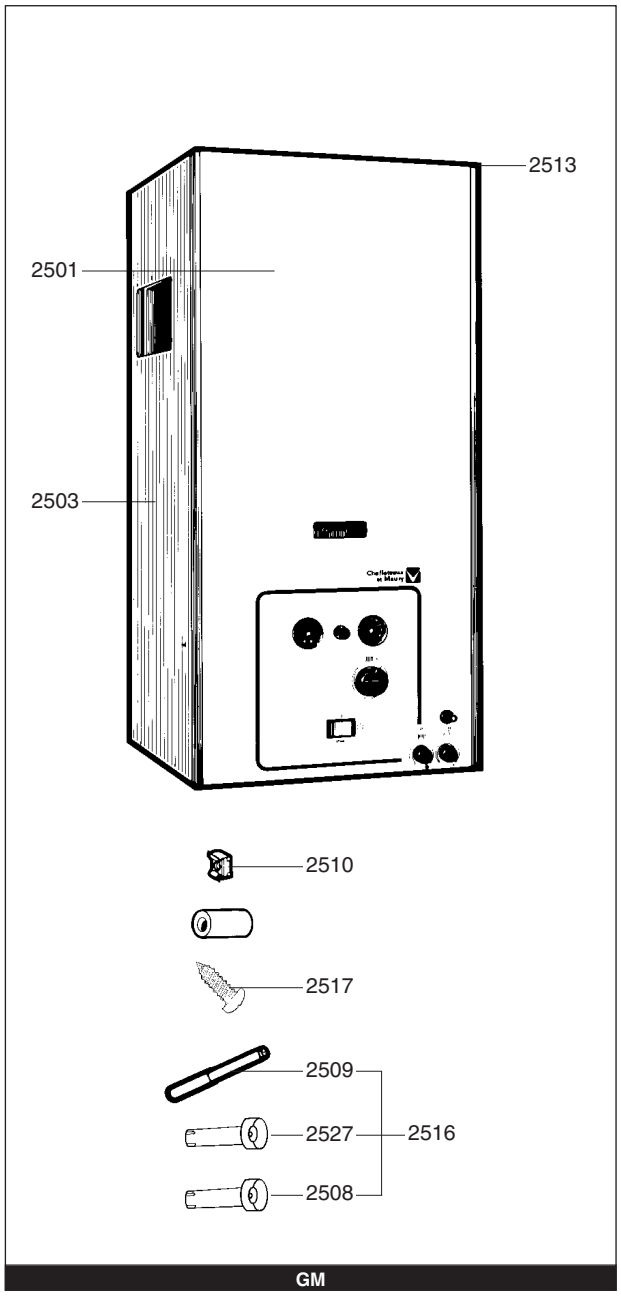
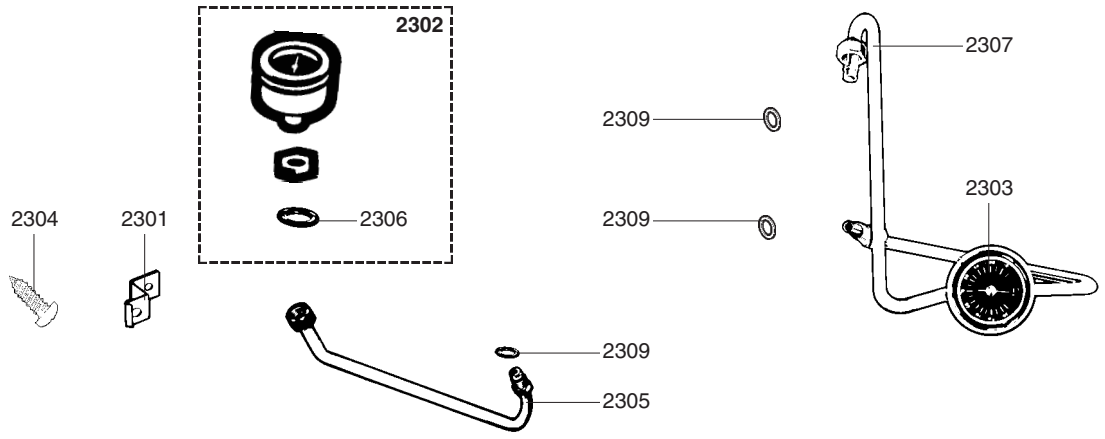
2249



2226

| Rep. | Désignation | Référence | Type | 12 | | 16 | | 18 | | 20 | | 24 | | 30 | | Date | | | | | | | | | | | | | | | | | |
|------|--------------------------------|-------------|--------|------|----|--------|----|------|----|------|----|--------|----|------|----|------|----|------|----|--------|----|------|----|------|----|--------|----|------|----|------|----|--------|--|
| | | | | 1-12 | | TIG 12 | | 2-16 | | 1-16 | | TIG 16 | | 2-18 | | 2-20 | | 1-20 | | TIG 20 | | 2-24 | | 1-24 | | TIG 24 | | 2-30 | | 1-30 | | TIG 30 | |
| | | | | CF | CF | VMC | CF | CF | CF | VMC | CF | VMC | CF | CF | CF | VMC | CF | CF | CF | CF | CF | CF | CF | CF | CF | CF | CF | CF | CF | CF | de | à | |
| 2200 | BOITIER ELECTRIQUE | 60053326 | NOTA 1 | | | | | | | | | | | | | | | | | | | | | | | | | | | | | | |
| 2201 | CIRCUIT IMPRIME | 60045216 | | | | | | | | | | | | | | | | | | | | | | | | | | | | | | | |
| | CIRCUIT IMPRIME | 60045263 | | | | | | | | | | | | | | | | | | | | | | | | | | | | | | | |
| | CIRCUIT IMPRIME | 60045304 | | | | | | | | | | | | | | | | | | | | | | | | | | | | | | | |
| | CIRCUIT IMPRIME | 60045317 | | | | | | | | | | | | | | | | | | | | | | | | | | | | | | | |
| | CIRCUIT IMPRIME | 60054481 | | | | | | | | | | | | | | | | | | | | | | | | | | | | | | | |
| | CIRCUIT IMPRIME | 60055898 | | | | | | | | | | | | | | | | | | | | | | | | | | | | | | | |
| | CIRCUIT IMPRIME | 60056720 | | | | | | | | | | | | | | | | | | | | | | | | | | | | | | | |
| 2205 | SUPPORT FUSIBLE | 60044799-10 | | | | | | | | | | | | | | | | | | | | | | | | | | | | | | | |
| 2206 | CAPOT DE PROTECTION | 60044800-10 | | | | | | | | | | | | | | | | | | | | | | | | | | | | | | | |
| 2207 | FUSIBLE 220V 630mA | 60045234 | | | | | | | | | | | | | | | | | | | | | | | | | | | | | | | |
| 2208 | ALLUMEUR | 60034269 | | | | | | | | | | | | | | | | | | | | | | | | | | | | | | | |
| 2212 | CONDENSATEUR 2 MF | 60028463 | | | | | | | | | | | | | | | | | | | | | | | | | | | | | | | |
| 2214 | AQUASTAT 57°C (Pochette) | 60100606-30 | | | | | | | | | | | | | | | | | | | | | | | | | | | | | | | |
| 2215 | THERMOSTAT CHAUFFAGE 85°C | 60056974 | | | | | | | | | | | | | | | | | | | | | | | | | | | | | | | |
| 2219 | CABLAGE VALVE DISTRI./AQUASTAT | 60046466 | | | | | | | | | | | | | | | | | | | | | | | | | | | | | | | |
| | CABLAGE VALVE DISTRIBUTRICE | 60054615 | | | | | | | | | | | | | | | | | | | | | | | | | | | | | | | |
| 2220 | CABLAGE ELECTROVANNES | 60054639 | | | | | | | | | | | | | | | | | | | | | | | | | | | | | | | |
| | CABLAGE ELECTROVANNES | 60054716 | | | | | | | | | | | | | | | | | | | | | | | | | | | | | | | |
| 2221 | VIS DE MASSE (Pochette) | 60081169 | | | | | | | | | | | | | | | | | | | | | | | | | | | | | | | |
| 2222 | CABLAGE DE MASSE | 60053319 | | | | | | | | | | | | | | | | | | | | | | | | | | | | | | | |
| 2225 | INTERRUPTEUR NOIR | 60074094 | | | | | | | | | | | | | | | | | | | | | | | | | | | | | | | |
| 2226 | CABLAGE INTER-CHRONO | 60045322 | | | | | | | | | | | | | | | | | | | | | | | | | | | | | | | |
| | CABLAGE INTER-CHRONO | 60045459 | | | | | | | | | | | | | | | | | | | | | | | | | | | | | | | |
| 2232 | JOINT TORIQUE D: 7.2-1.9 | 60024164-12 | | | | | | | | | | | | | | | | | | | | | | | | | | | | | | | |
| 2233 | CLIP | 60031546 | | | | | | | | | | | | | | | | | | | | | | | | | | | | | | | |
| 2236 | PASSE FIL | 60027837 | | | | | | | | | | | | | | | | | | | | | | | | | | | | | | | |
| 2240 | COUVERCLE BOITIER ELECTRIQUE | 60053815 | | | | | | | | | | | | | | | | | | | | | | | | | | | | | | | |
| | COUVERCLE BOITIER ELECTRIQUE | 60047796 | NOTA 1 | | | | | | | | | | | | | | | | | | | | | | | | | | | | | | |
| | COUVERCLE BOITIER ELECTRIQUE | 60047797 | NOTA 2 | | | | | | | | | | | | | | | | | | | | | | | | | | | | | | |
| 2245 | THERMOSTAT REGLABLE (Pochette) | 60081420 | | | | | | | | | | | | | | | | | | | | | | | | | | | | | | | |
| 2246 | CHRONORUPTEUR 14H | 60030697 | NOTA 1 | | | | | | | | | | | | | | | | | | | | | | | | | | | | | | |
| 2249 | VIS F90Z D: 3.5-16 | 61004804-20 | | | | | | | | | | | | | | | | | | | | | | | | | | | | | | | |
| 2250 | PASSE FIL | 60027838 | | | | | | | | | | | | | | | | | | | | | | | | | | | | | | | |
| 2252 | CABLAGE AQUASTAT | 60054713 | | | | | | | | | | | | | | | | | | | | | | | | | | | | | | | |
| | CABLAGE AQUASTAT | 60069047 | | | | | | | | | | | | | | | | | | | | | | | | | | | | | | | |
| 2253 | VIS A TOLE CBLX D: 6.3-13 | 61010648 | | | | | | | | | | | | | | | | | | | | | | | | | | | | | | | |
| 2258 | VIS M 4-6 | 60019197-03 | NOTA 1 | | | | | | | | | | | | | | | | | | | | | | | | | | | | | | |
| 2264 | THERMOSTAT 60°C ENS | 60079854 | | | | | | | | | | | | | | | | | | | | | | | | | | | | | | | |
| 2265 | VIS A TOLE CBLZ D: 3.5-9.5 | 60054033 | | | | | | | | | | | | | | | | | | | | | | | | | | | | | | | |
| 2274 | ENTRETOISE | 60044556 | NOTA 2 | | | | | | | | | | | | | | | | | | | | | | | | | | | | | | |
| 2275 | VIS HS M 6-15 | 60019316-03 | NOTA 1 | | | | | | | | | | | | | | | | | | | | | | | | | | | | | | |

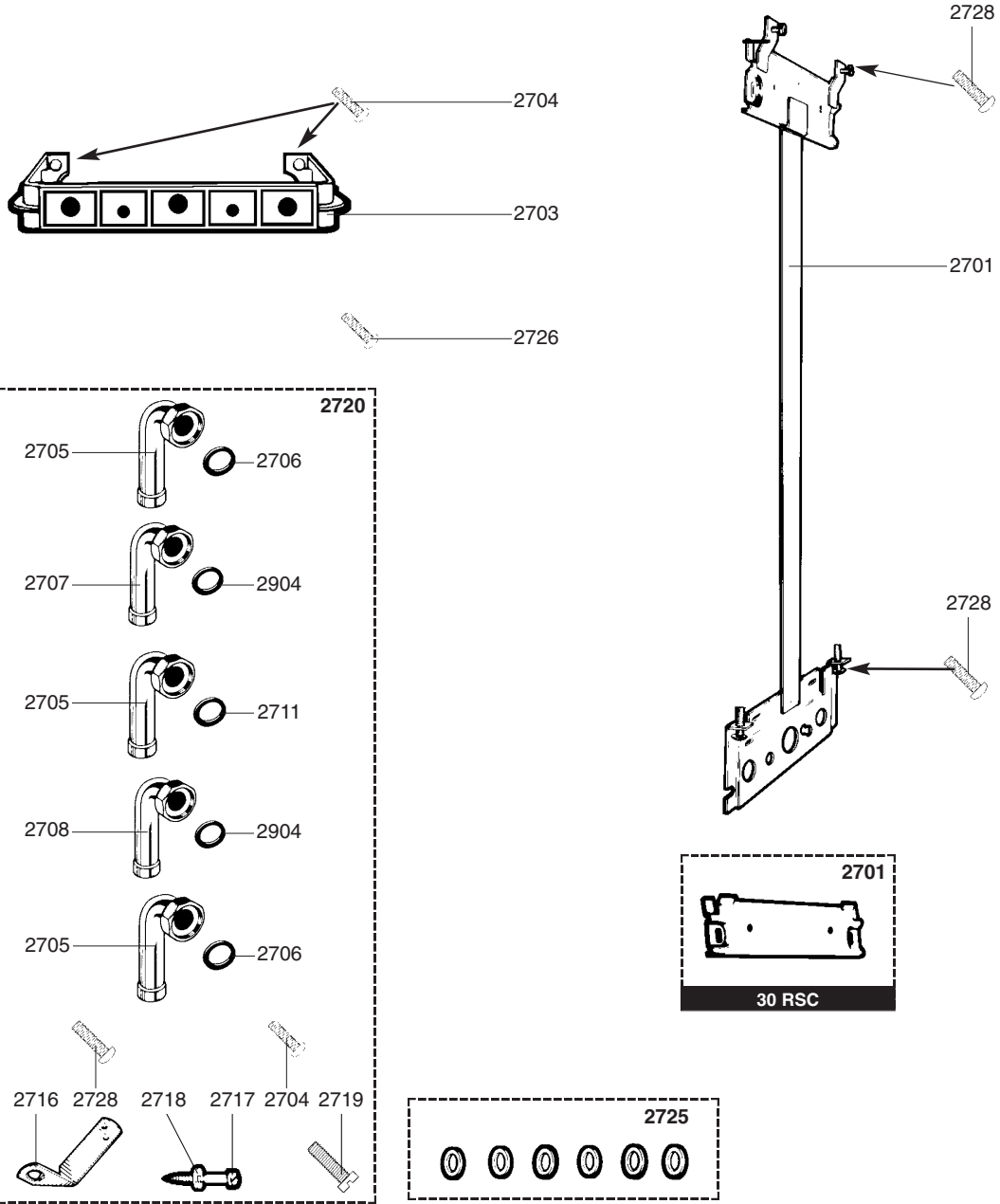
NOTA 1 : CELTIC
NOTA 2 : GM



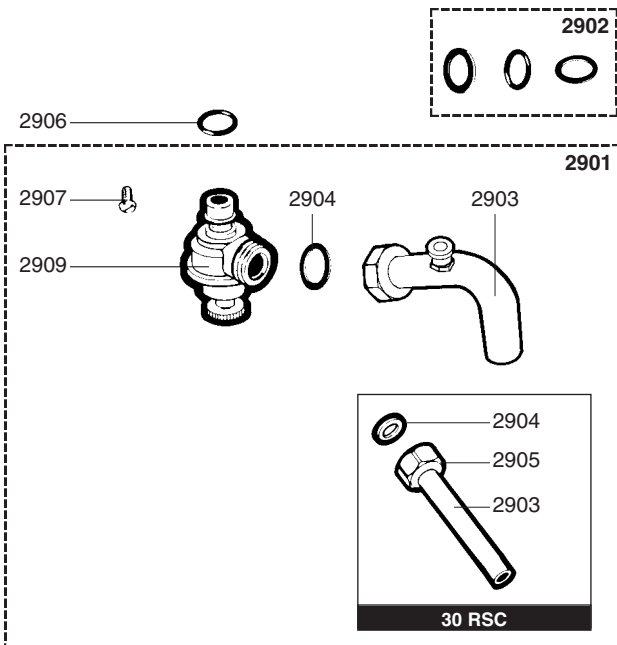
| Rep. | Désignation | Référence | Type | 12 | | 16 | | 18 | | 20 | | 24 | | 30 | | Date | |
|-------------|--------------------------------|-------------|--------|--------|-----|--------|-----|--------|-----|--------|-----|--------|-----|--------|-----|------|---|
| | | | | TIG 12 | | TIG 16 | | TIG 18 | | TIG 20 | | TIG 24 | | TIG 30 | | de | à |
| | | | | CF | VMC | CF | VMC | CF | VMC | CF | VMC | CF | VMC | CF | VMC | | |
| 2300 | AFFICHAGE | | | | | | | | | | | | | | | | |
| 2301 | PATTE SUPPORT | 60070284 | | ● | ● | ● | ● | ● | ● | ● | ● | ● | ● | ● | ● | | |
| 2302 | MANOMETRE EQUIPE (Pochette) | 60081180 | | ● | ● | ● | ● | ● | ● | ● | ● | ● | ● | ● | ● | | |
| 2303 | THERMOMETRE | 60044333 | NOTA 1 | ● | ● | ● | ● | ● | ● | ● | ● | ● | ● | ● | ● | | |
| | THERMOMETRE | 60044333 | NOTA 2 | ● | ● | ● | ● | ● | ● | ● | ● | ● | ● | ● | ● | | |
| 2304 | VIS A TOLE CBLZ D: 3.5-6.5 | 60031521-03 | | ● | ● | ● | ● | ● | ● | ● | ● | ● | ● | ● | ● | | |
| | VIS A TOLE CBLX D: 6.3-13 | 61010648 | | | | | | | | | | | ● | ● | ● | | |
| 2305 | TUBE MANOMETRE | 61000254 | NOTA 3 | ● | ● | ● | ● | ● | ● | ● | ● | ● | ● | ● | ● | | |
| | TUBE MANOMETRE | 61000257 | NOTA 4 | ● | ● | ● | ● | ● | ● | ● | ● | ● | ● | ● | ● | | |
| 2306 | JOINT PLAT D: 8.5-4.1-1.5 | 60061852-12 | | ● | ● | ● | ● | ● | ● | ● | ● | ● | ● | ● | ● | | |
| 2307 | TUBE THERMOMETRE | 60054028 | | | | | | | | | | | ● | | | | |
| | TUBE THERMOMETRE | 60045341 | NOTA 3 | | | ● | | ● | ● | ● | ● | ● | | | | | |
| | TUBE THERMOMETRE | 60045343 | NOTA 4 | | | ● | | ● | ● | ● | ● | ● | | | | | |
| | TUBE THERMOMETRE | 60048474 | NOTA 4 | ● | | ● | | | | | | | | | | | |
| 2309 | JOINT TORIQUE D: 6-1 | 60024164-41 | | ● | ● | ● | ● | ● | ● | ● | ● | ● | ● | ● | ● | | |
| 2500 | HABILLAGE | | | | | | | | | | | | | | | | |
| 2501 | PANNEAU AVANT | 60044229-06 | NOTA 3 | | | | | | | | ● | ● | ● | | | | |
| 2503 | PANNEAU COTE GAUCHE | 60044201 | NOTA 3 | ● | ● | ● | ● | ● | ● | ● | ● | ● | ● | ● | ● | | |
| | PANNEAU COTE GAUCHE | 60059197 | NOTA 3 | | ● | | | | | | | | | | | | |
| 2504 | ECRAN SERIGRAPHIE TIG 12-20RSc | 60045588 | NOTA 3 | ● | ● | | | | | ● | | | | | | | |
| | ECRAN SERIGRAPHIE 2.24 RSc Fra | 60045593 | NOTA 3 | | | | | | | ● | ● | | | | | | |
| 2505 | PORTE ENS | 60046691 | NOTA 3 | | | | | | | | | | ● | ● | ● | | |
| 2506 | ECROU A PINCER | 60063603 | NOTA 3 | ● | ● | ● | ● | ● | ● | ● | ● | ● | ● | ● | ● | | |
| 2508 | BOUTON VALVE DISTRIBUT. BLEU | 60044267 | NOTA 3 | | | ● | | ● | ● | ● | ● | ● | ● | ● | | | |
| | BOUTON VALVE DISTRIBUT. BLEU | 60044268 | NOTA 4 | | | ● | | ● | ● | ● | ● | ● | ● | ● | | | |
| 2509 | BOUTON POUSSOIR GAZ BLEU | 60044263 | NOTA 3 | ● | ● | ● | ● | ● | ● | ● | ● | ● | ● | ● | ● | | |
| | BOUTON POUSSOIR GAZ BLEU | 60044264 | NOTA 4 | ● | ● | ● | ● | ● | ● | ● | ● | ● | ● | ● | ● | | |
| 2510 | ECROU EN CAGE M 6 | 60004806-03 | | ● | ● | ● | ● | ● | ● | ● | ● | ● | ● | ● | ● | | |
| 2511 | VIS CLS M 6-14 | 60014044 | NOTA 3 | ● | ● | ● | ● | ● | ● | ● | ● | ● | ● | ● | ● | | |
| 2515 | VIS M 6-10 | 60031527-03 | NOTA 3 | ● | ● | ● | ● | ● | ● | ● | ● | ● | ● | ● | ● | | |
| 2516 | BOUTONS (POCHETTE) | 60100040-10 | NOTA 3 | | | ● | | ● | ● | ● | ● | ● | ● | ● | | | |
| | BOUTONS (POCHETTE) | 60100042-30 | NOTA 4 | | | ● | | ● | ● | ● | ● | ● | ● | ● | | | |
| 2517 | VIS A TOLE CBLX D: 4.2-9.5 | 61010125 | | ● | ● | ● | ● | ● | ● | ● | ● | ● | ● | ● | ● | | |
| 2519 | VIS HS M 6-15 | 60019316-03 | NOTA 3 | ● | ● | ● | ● | ● | ● | ● | ● | ● | ● | ● | ● | | |
| 2520 | REFECTION CHARNIERE (Pochette) | 60081411 | NOTA 3 | | | | | | | | | | ● | ● | ● | | |
| | REFECTION CHARNIERE (Pochette) | 60081418 | NOTA 3 | ● | ● | ● | ● | ● | ● | ● | ● | ● | ● | ● | ● | | |
| | REFECTION CHARNIERE (Pochette) | 60081494 | NOTA 3 | | | | | | | | | | ● | ● | ● | | |
| 2525 | VIS A TOLE CBLZ D: 3.9-9.5 | 60050460-03 | NOTA 3 | ● | ● | ● | ● | ● | ● | ● | ● | ● | ● | ● | ● | | |
| 2527 | BOUTON VALVE THERMOSTA. BLEU | 60044265 | NOTA 3 | ● | | ● | ● | ● | ● | ● | ● | ● | ● | ● | ● | | |
| | BOUTON VALVE THERMOSTA. BLEU | 60044266 | NOTA 4 | ● | | ● | ● | ● | ● | ● | ● | ● | ● | ● | ● | | |
| 2528 | BOUTON DE MANOEUVRE BLEU | 60044269 | NOTA 3 | ● | ● | ● | ● | ● | ● | ● | ● | ● | ● | ● | ● | | |

NOTA 1 : TUBE D: 6
NOTA 2 : TUBE D: 8

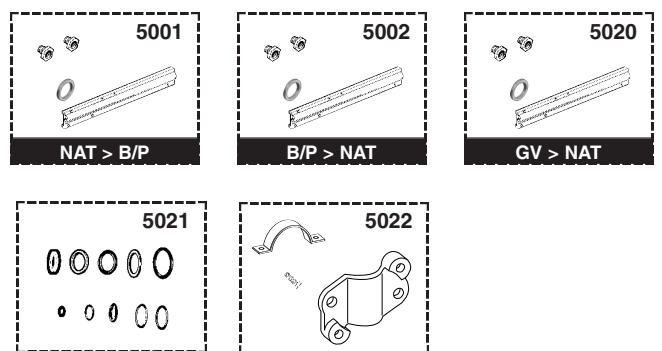
NOTA 3 : CELTIC
NOTA 4 : GM



2900



5000



| Rep. | Désignation | Référence | Type | 12 | | 16 | | 18 | | 20 | | 24 | | 30 | | Date | |
|-------------|--------------------------------|-------------|------|--------|-----|--------|-----|--------|-----|--------|-----|--------|-----|--------|-----|------|---|
| | | | | TIG 12 | | TIG 16 | | TIG 18 | | TIG 20 | | TIG 24 | | TIG 30 | | de | à |
| | | | | CF | VMC | CF | VMC | CF | VMC | CF | VMC | CF | VMC | CF | VMC | | |
| 2700 | PREFABRICATION | | | | | | | | | | | | | | | | |
| 2701 | PLATINE D'ACCROCHAGE | 60025182 | | | | | | | | | | | | | | | |
| 2703 | GABARIT DE POSE | 60057161 | • | | • | • | | • | • | • | | | • | • | • | | |
| 2704 | VIS M 6-10 | 60031527-03 | • | • | • | • | • | • | • | • | • | • | • | • | • | | |
| 2705 | DOUILLE DE RACCORDEMENT | 60055675 | | | | | | | | | | | • | | | | |
| | DOUILLE DE RACCORDEMENT GAZ | 60055676 | | | | | | | | | | | • | • | • | | |
| | DOUILLE DE RACCORDEMENT | 60057167 | B/P | • | • | • | • | • | • | • | • | • | | | | | |
| | DOUILLE DE RACCORDEMENT | 60057167 | NAT | • | • | • | • | • | • | • | • | • | | | | | |
| 2706 | JOINT PLAT D: 24-18.2-1.5 | 60061855-01 | | | | | | | | | | | • | | | | |
| | JOINT PLAT D: 24-17-1.5 | 60061855-19 | • | • | • | • | • | • | • | • | • | • | | | • | | |
| 2707 | DOUILLE DE RACCORDEMENT EF | 60057169 | | | • | | • | • | • | • | • | | | | | | |
| 2708 | DOUILLE DE RACCORDEMENT EC | 60055674 | | | | | | | | | | | • | | | | |
| | DOUILLE DE RACCORDEMENT EC | 60057168 | | | • | | • | • | • | • | • | | | | | | |
| 2711 | JOINT PLAT D: 24-16.2-1.5 | 60022835-02 | | | | | | | | | | | • | • | • | | |
| | JOINT PLAT D: 24-18.2-1.5 | 60022835-01 | B/P | • | • | • | • | • | • | • | • | • | | | | | |
| | JOINT PLAT D: 29.9-24.4-1.5 | 60022834-02 | GV | | | • | | • | • | • | • | • | | | | | |
| | JOINT PLAT D: 24-18.2-1.5 | 60022835-01 | NAT | • | • | • | • | • | • | • | • | • | | | | | |
| 2715 | ECROU 3/4" | 60020748-68 | | | | | | | | | | | • | • | • | | |
| 2717 | VIS A BOIS D:6-38 | 60025617-03 | | • | • | • | • | • | • | • | • | • | • | • | • | • | |
| 2718 | RONDELLE D: 14.2-7.2-1.2 | 60005369-03 | | • | • | • | • | • | • | • | • | • | • | • | • | • | |
| 2720 | RACCORDEMENT (POCHETTE) | 60079918 | | • | | • | • | • | • | • | • | • | | | | | |
| 2725 | JOINTS PREFABRICATION (Poch.) | 60081062 | | | • | • | | • | • | • | • | • | | | | | |
| 2726 | VIS A TOLE CBLX D: 4.2-9.5 | 61010125 | | | | | | | | | | | | • | | | |
| 2728 | VIS HS M 6-25 | 60010942-13 | | • | • | • | • | • | • | • | • | • | • | | | | |
| 2900 | SOUPAPE | | | | | | | | | | | | | | | | |
| 2901 | SOUPAPE DE SECURITE (Pochette) | 61001900 | | • | • | • | • | • | • | • | • | • | • | | | | |
| 2902 | REFECTION SOUPAPE (Pochette) | 60081025 | | • | • | • | • | • | • | • | • | • | • | • | • | • | |
| 2903 | DOUILLE RACCORDEMENT SOUPAPE | 60031953 | | • | • | • | • | • | • | • | • | • | • | | | | |
| 2904 | JOINT PLAT D: 18.4-12.2-1.5 | 60061855-14 | | • | • | • | • | • | • | • | • | • | • | • | • | • | |
| 2905 | ECROU 1/2" EP: 10 | 60020747-68 | | | | | | | | | | | • | • | • | | |
| 2906 | JOINT TORIQUE D: 13.6-2.7 | 60024164-18 | | • | • | • | • | • | • | • | • | • | • | • | • | • | |
| 2907 | VIS A TETON M5 | 60017908 | | • | • | • | • | • | • | • | • | • | • | • | • | • | |
| 2909 | SOUPAPE DE SECURITE 3 BARS | 61020933 | | • | • | • | • | • | • | • | • | • | • | • | • | • | |
| 5000 | OPTIONS | | | | | | | | | | | | | | | | |
| 5001 | EQT TRANSF NAT > BUT/PROP | 60311615-91 | | | | | | | | | • | • | | | | | |
| | EQT TRANSF NAT > BUT/PROP | 60311625-91 | | • | • | • | | | | | | | | | | | |
| | EQT TRANSF NAT > BUT/PROP | 60311821-91 | | | | | | | | | | | • | | | | |
| | EQT TRANSF NAT > BUT/PROP | 60311822-91 | | | | | | | | | | | | • | • | | |
| 5002 | EQT TRANSF BUT/PROP > NAT | 60311613-81 | | | • | • | • | | | | | | | | | | |
| | EQT TRANSF BUT/PROP > NAT | 60311625-81 | | • | • | • | | | | | | | | | | | |
| | EQT TRANSF BUT/PROP > NAT | 60311821-81 | | | | | | | | | | | • | | | | |
| | EQT TRANSF BUT/PROP > NAT | 60311822-81 | | | | | | | | | | | | • | • | | |
| 5020 | EQT TRANSF GV > NAT | 60311614-51 | | | | | • | • | • | | | | | | | | |
| 5021 | JOINTS (Pochette) | 60100421-10 | | | • | • | • | • | • | • | • | • | • | | | | |
| 5022 | ADAPTATION (EQT) | 60035428 | | | • | | • | | • | • | • | • | | | | | |
| 5024 | SECURITE 110°C (Pochette) | 60100346-30 | | | • | • | • | • | • | • | • | • | • | | | | |

LISTE DES ABRÉVIATIONS

| | |
|------------|--|
| EC | : Eau chaude. |
| EF | : Eau froide. |
| C | : Résistance Céramique (Chauffe normale). |
| Ca | : Résistance Céramique (Chauffe accélérée). |
| TP | : Résistance ThermoPlongeur. |
| 1F | : Avec Robinetterie. |
| 2F | : Sans Robinetterie. |
| 3F | : Avec Robinetterie et une sortie supplémentaire. |
| AMI | : Avec Mélangeur Intégré. |
| SMI | : Sans Mélangeur Intégré. |
| TYPE | : Indique la nature de l'appareil. |
| PN | : Ces références concernent uniquement un appareil à Pression Normale. |
| BP | : Ces références concernent uniquement un appareil à Basse Pression. |
| PV | : Ces références concernent uniquement un appareil à Puissance Variable. |
| PF | : Ces références concernent uniquement un appareil à Puissance Fixe. |

PLAQUE SIGNALÉTIQUE

NUMÉRO DE SÉRIE

12 Caractères : 1 95 065004 - 31

| | | | | | | |
|---|---|----|--------|---|----|--------------------------------|
| Mois de fabrication : de 1 à 9 → Jan. à Sep., O → Oct., N → Nov., D → Dec. | 1 | 95 | 065004 | - | 31 | Indice technique de l'appareil |
| | | | | | | Code séquentiel |
| | | | | | | Année de fabrication |

20 Caractères : 3675007 XX 2 07 070 00315

| | | | | | | | |
|--------------------------|---------|----|---|----|-----|-------|----------------------|
| Code appareil | 3675007 | XX | 2 | 07 | 070 | 00315 | Code séquentiel |
| Millénium de fabrication | | | | | | | Jour de fabrication |
| | | | | | | | Année de fabrication |

21 Caractères : 3675007 XX 07 070 0000315

| | | | | | | |
|---------------|---------|----|----|-----|---------|----------------------|
| Code appareil | 3675007 | XX | 07 | 070 | 0000315 | Code séquentiel |
| | | | | | | Jour de fabrication |
| | | | | | | Année de fabrication |

Les renseignements portés sur les tarifs et documentations commerciales ou techniques, les schémas et côtes d'encombrements sont donnés à titre indicatif et valables à un instant donné. Le CONSTRUCTEUR se réserve le droit d'apporter toutes modifications de présentation, de forme, de dimension, de conception ou matière à ses produits.