

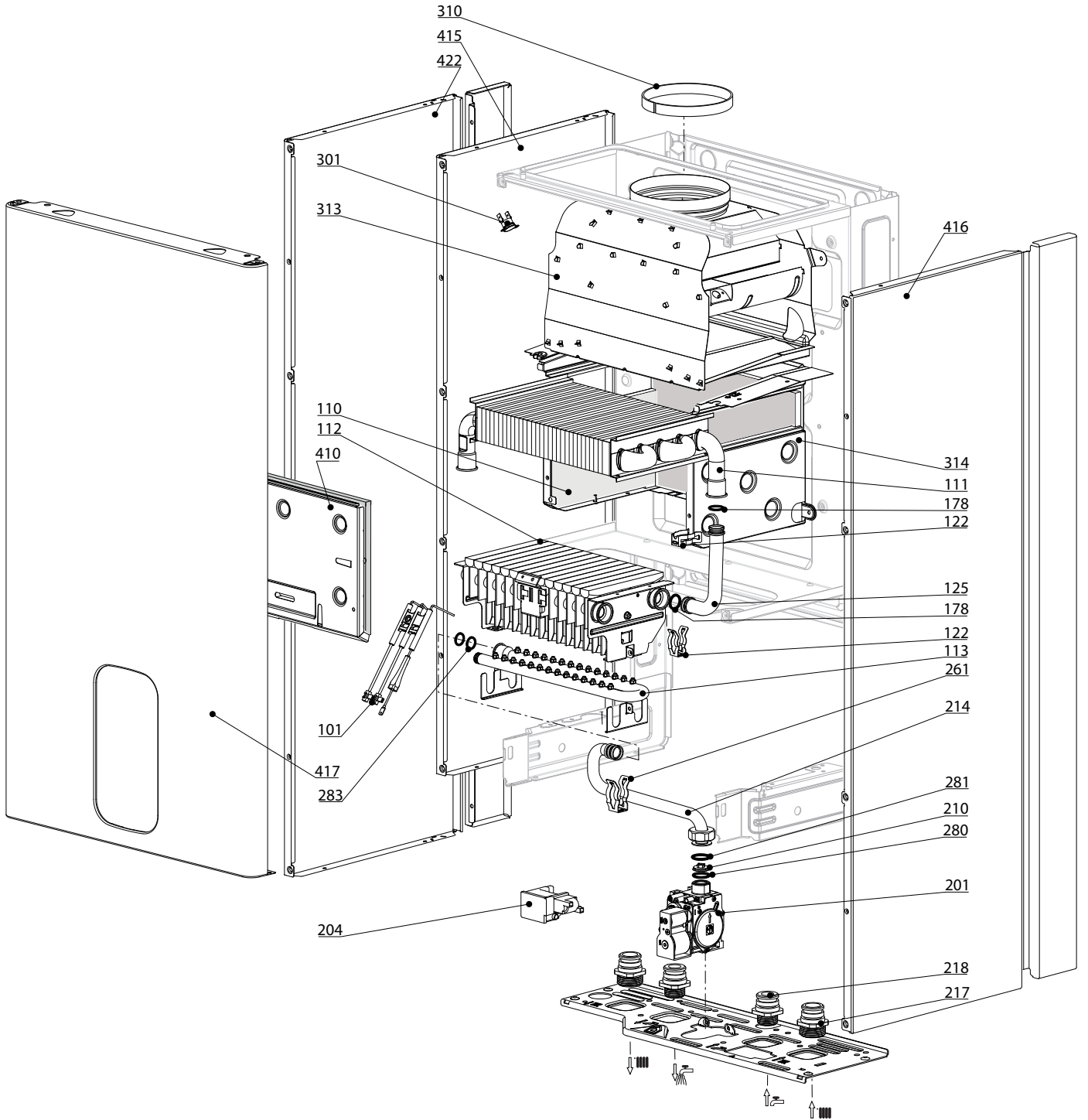
# SPARE PARTS EXPLODED VIEW GAS-WALL BOILER ATM. BURNER

Model

## **NIAGARA C NOX**

R8203526-04 - 18/01/2019

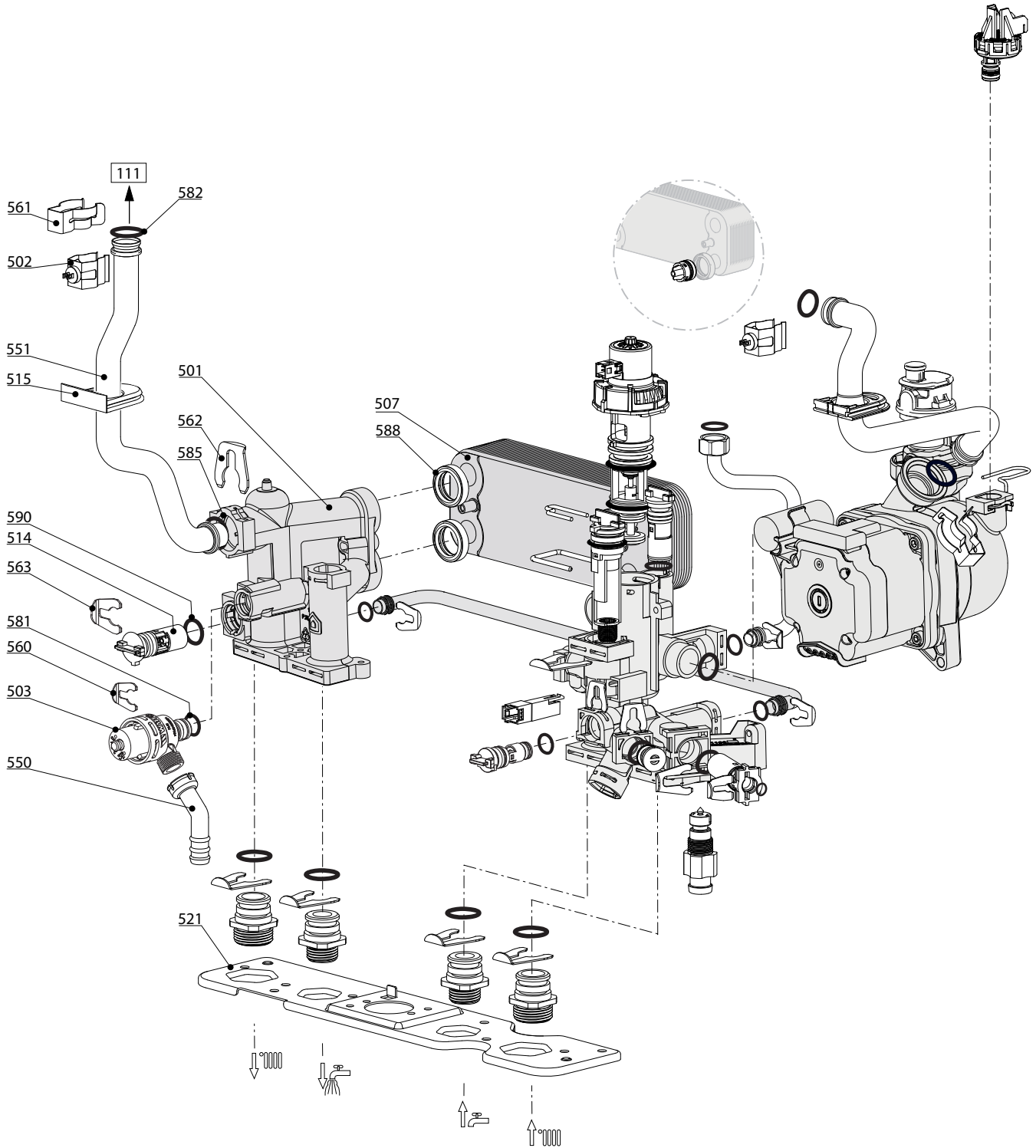
1	3310570	NIAGARA C NOX 25 CF FR	08-2018	-
2	3310571	NIAGARA C NOX 25 VMC FR	08-2018	-
Col	Reference	Model type	Begin	End



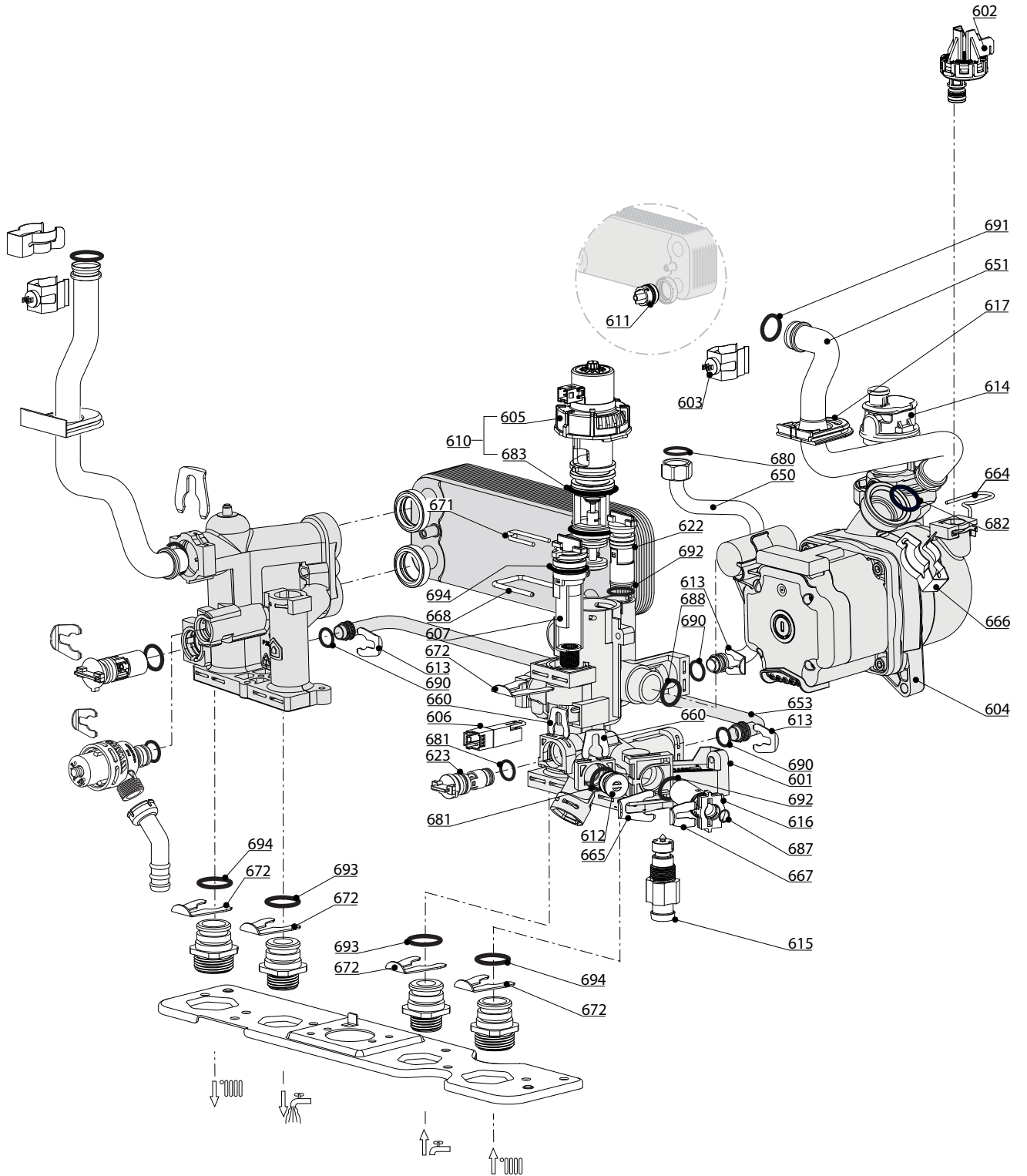
NIAGARA 25 CF  
NIAGARA 25 VMC

31

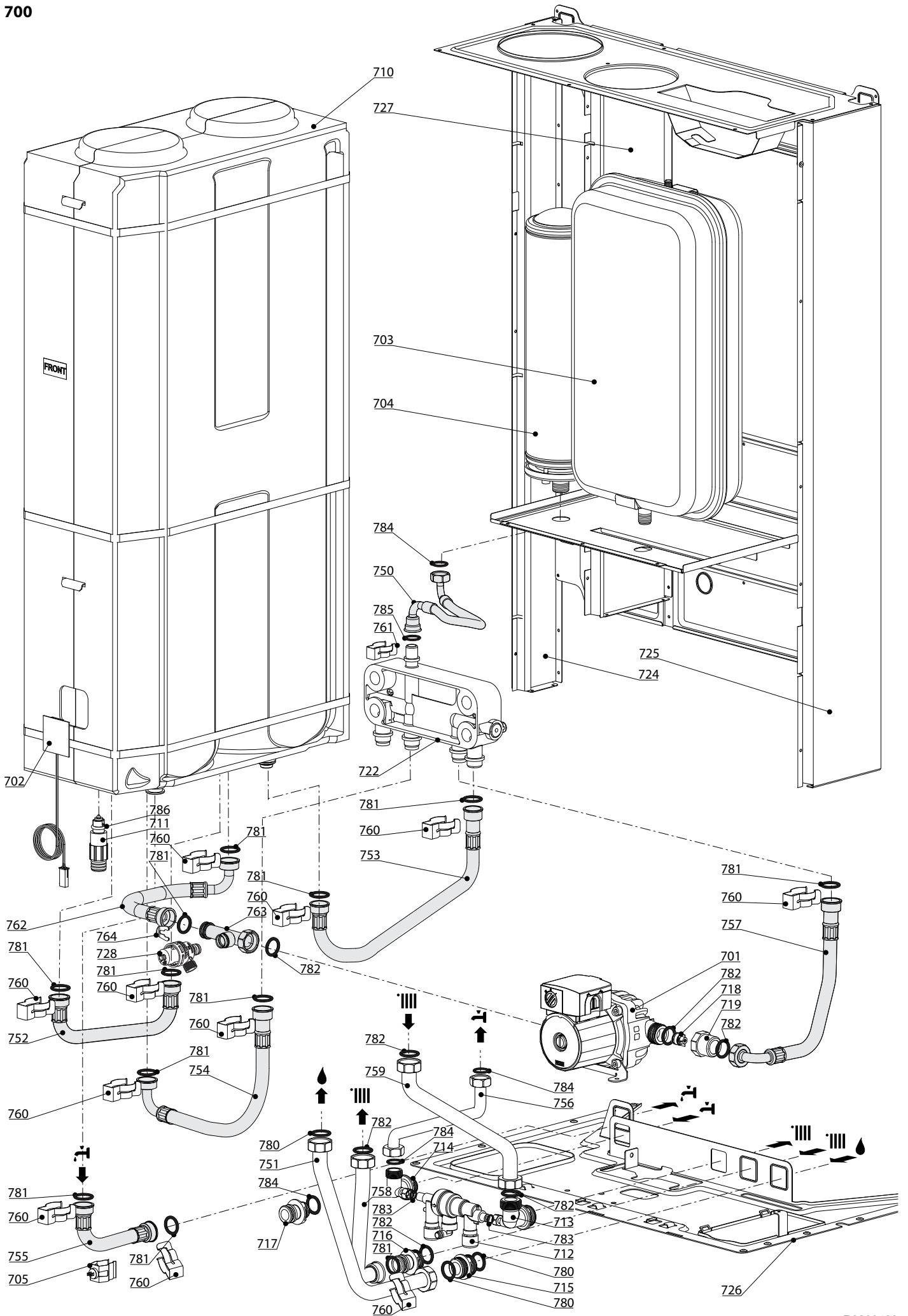
	Description	Manf. Pt. N	Type	1 2 3 4 5 6 7 8 9 10 11 12 13 14 15 16 17 18																		From	to		
<b>0100</b>	<b>BURNER ASSEMBLY</b>																								
0101	ELECTRODE (IGNITION/IONIZATION)	65117626-01		●	●																				
0110	PANELS (KIT)	65117633		●	●																				
0111	HEAT EXCHANGER	65104247		●	●																				
0112	BURNER 14NP	65117623		●	●																				
0113	GAS MANIFOLD 14 INJ. D:0.86	65117624	G20	●	●																				
0122	CLIP	65116517		●	●																				
0125	PIPE	65117625		●	●																				
0178	O-RING 17.86X2.62	61308091		●	●																				
<b>0200</b>	<b>GAS SECTION</b>																								
0201	GAS VALVE SIT 845 SIGMA	65117618		●	●																				
0204	SPARK GENERATOR	60001888		●	●																				
0210	RESTRICTOR D: 5.9	65117655		●	●																				
0214	GAS TUBE	65117619		●	●																				
0217	UNION (3/4»)	65114929		●	●																				
0218	UNION (1/2»)	65114930		●	●																				
0261	CLIP	65105109		●	●																				
0280	O-RING 14X2	60000903		●	●																				
0281	SHEET GASKET D: 24-18.2-1.5	60022835-01		●	●																				
0283	O-RING 21.89X2.62	65117642		●	●																				
<b>0300</b>	<b>FAN ASSEMBLY</b>																								
0301	OVERHEAT THERMOSTAT 49C	61310767		●																					
	THERMOSTAT 75-65°C	999539		●																					
0310	FLUE SPIGOT D: 125->130	65111183		●	●																				
0313	COMBUSTION CHAMBER 24 CF	65117627		●																					
	COMBUSTION CHAMBER 24 VMC	65117628		●																					
0314	COMBUSTION CHAMBER	65117631		●	●																				
<b>0400</b>	<b>SEALED CASE</b>																								
0410	PANEL (COMBUSTION CHAMBER)	65117632		●	●																				
0415	CASE PANEL (L.H. SIDE)	65105676		●	●																				
0416	RIGHT SIDE PANEL	60001245		●	●																				
0417	CASE PANEL (FRONT)	65117724		●	●																				
0422	HAND PANEL	60001244		●	●																				







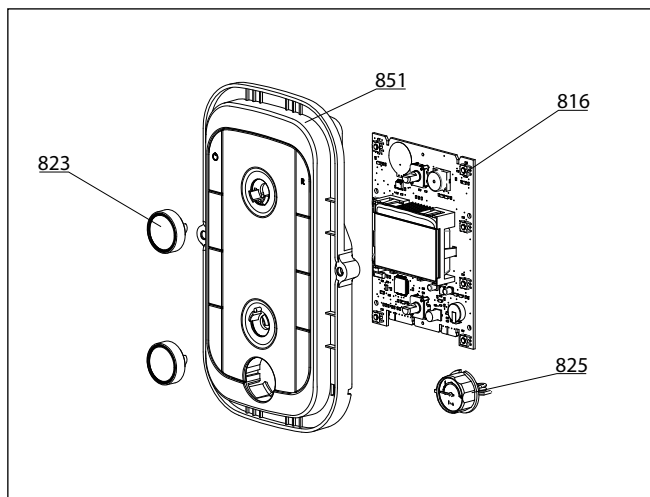
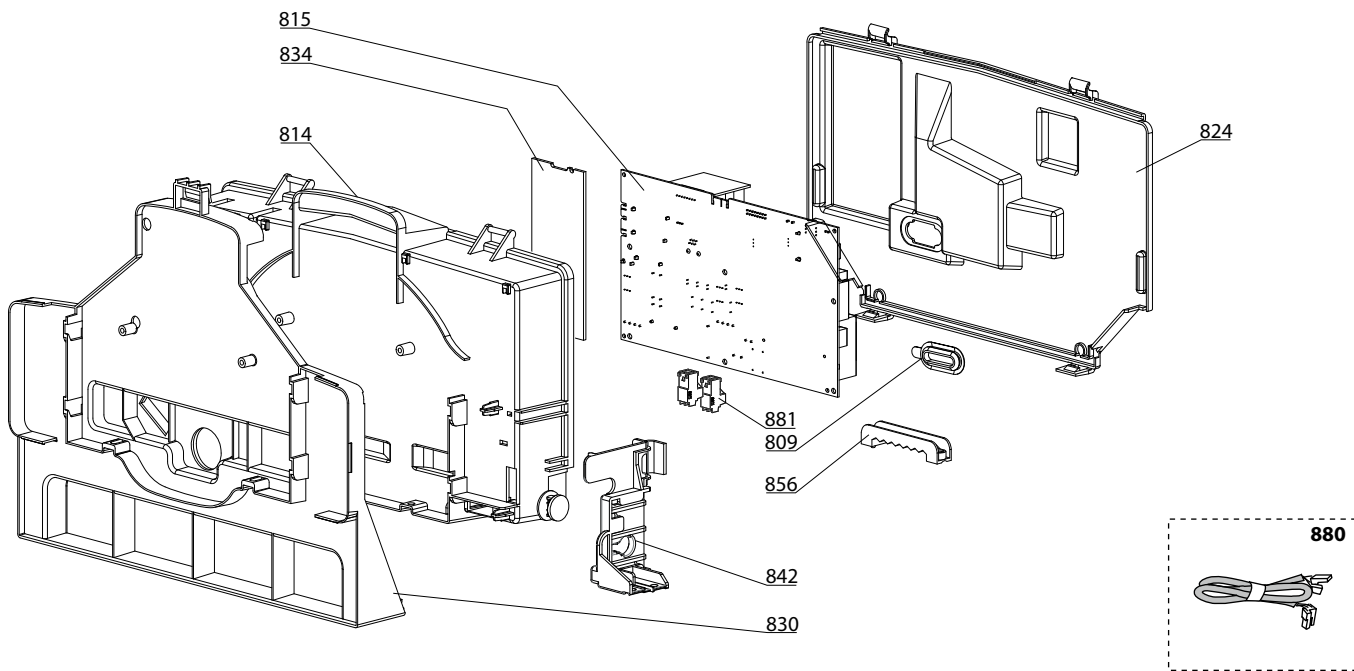




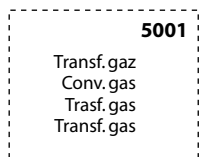


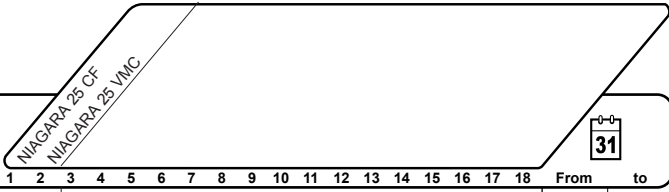
NIAGARA 25 CF  
 NIAGARA 25 VMC

⊕⇒	Description	Manf. Pt. N	Type	1 2 3 4 5 6 7 8 9 10 11 12 13 14 15 16 17 18 From to																	
				1	2	3	4	5	6	7	8	9	10	11	12	13	14	15	16	17	18
0700	HOT WATER TANK																				
0701	PUMP DHW	60002509		●	●																
0702	NTC PROBE	60000822		●	●																
0703	EXPANSION VESSEL 12L	60001243		●	●																
0704	EXPANSION VESSEL 2L	61316921		●	●																
0705	TEMPERATURE PROBE + CLIP	990686-01		●	●																
0710	CYLINDER 40L	60002524		●	●																
0711	DRAIN COCK	65114922		●	●																
0712	DISCONNECTOR	60000263		●	●																
0713	CONNECTION M/M 3/4	60001325		●	●																
0714	CONNECTION M/M 1/2	60001326		●	●																
0715	GAS CONNECTION	60001327		●	●																
0716	HEATING RETURN CONNECTION	60001328		●	●																
0717	HOT WATER CONNECTION	60001329		●	●																
0718	NON-RETURN VALVE	60001330		●	●																
0719	CONNECTION	60001333		●	●																
0722	INTERFACE SYSTEM	60001342		●	●																
0724	LONGERON 900x65mm	60001383		●	●																
0725	LONGERON 900x130mm	60001384		●	●																
0726	HYDRAULIC GROUP SUPPORT	60001599		●	●																
0727	LONGERON 744x133mm	60002520		●	●																
0728	PRESSURE RELIEF VALVE (7 BAR)	65117389		●	●																
0750	PIPE (EXPANSION VESSEL)	60002511		●	●																
0751	GAS PIPE 24KW	65117423		●	●																
0752	BOILER PIPE	60002512		●	●																
0753	TUBE DHW - TEPID ENTRY 25/30KW	60002516		●	●																
0754	TUBE DHW - HOT ENTRY	60002517		●	●																
0755	PIPE (SECONDARY RETURN)	60002514		●	●																
0756	PIPE COLD WATER SANITARY INLET	65117422		●	●																
0757	TUBE - PUMP DHW	60002513		●	●																
0758	PIPE (C.H. RETURN)	65117421		●	●																
0759	PIPE (C.H. FLOW)	65117420		●	●																
0760	CLIP	61307589		●	●																
0761	CLIP	65105109		●	●																
0762	TUBE - PUMP	60002515		●	●																
0763	PIPE (PUMP DIRECT)	65117426		●	●																
0764	CLIP D10	65104260		●	●																
0780	SHEET GASKET D: 24-18.2-1.5	60022835-01		●	●																
0781	O-RING 17.04X3.53	65104262		●	●																
0782	SHEET GASKET D: 24-18.2-1.5	60061855-01		●	●																
0783	SHEET GASKET D8,5X4,1X1,5	60001363		●	●																
0784	WASHER D: 18.4-12.2-1.5	60061855-14		●	●																
0785	O-RING 13X2	65105108		●	●																
0786	O-RING 9.19X2.62	65104313		●	●																



5000





☉→	Description	Manf. Pt. N	Type	NIAGARA 25 CF NIAGARA 25 VMC																		
				1	2	3	4	5	6	7	8	9	10	11	12	13	14	15	16	17	18	From
<b>0800</b>	<b>ELECTRICAL BOX</b>																					
0809	GROMMET (REGULATION ACCESS)	998382		●	●																	
0814	CONTROL PANEL COVER (FRONT)	65115784		●	●																	
0815	P.C.B. (MAIN)	65115783-01		●	●																	
0816	P.C.B. (DISPLAY)	60002839		●	●																	
0823	WHITE KNOB	60002840		●	●																	
0824	CONTROL PANEL COVER (REAR)	65115785		●	●																	
0825	PRESSURE GAUGE	60002838		●	●																	
0830	BASE - BOX	65117727		●	●																	
0834	P.C.B (CLIP-IN)	65113171		●	●																	
0842	SIDE COVER SUPPORT	65117728		●	●																	
0851	FRONT CONTROL PANEL COMPLETE	65117730		●	●																	
0856	CABLE CLAMP	65103377		●	●																	
0880	3-WAY VALVE CABLE	65117729		●	●																	
	CABLE (IONIZATION ELECTRODE)	60001883		●	●																	
	CLIP-IN COMMUNICATION WIRING	65117419		●	●																	
	DISPLAY WIRING	60001250		●	●																	
	FEEDER 240V	60001619		●	●																	
	HEAT SENSOR CYLINDER	60001882		●	●																	
	NTC - PRES SWITCH CABLE	65115789		●																		
	NTC - PRES SWITCH CABLE	65117656			●																	
	POWER CABLE	65117378		●	●																	
	PUMP CABLE	60002519		●	●																	
	PUMP CABLE TACO	65117069	TACO	●	●																	
	PUMP CABLE 1V PANA.	65115788	PANA.	●	●																	
0881	CONNECTOR 2P	65111933		●	●																	
	CONNECTOR 3P (x5)	65111934-01		●	●																	
<b>5000</b>	<b>ACCESSORIES</b>																					
5001	BURNER JET FULL KIT G20	65118068		●	●																	
	BURNER JET FULL KIT G31	65118069		●																		
	KIT SHUNT	65118073		●																		

## LIST OF THE ABBREVIATIONS

HW .....	: Hot water.
CW .....	: Cold water.
C .....	: Ceramic resistance (normal heating).
Ca .....	: Ceramic resistance (accelerated heating)
TP .....	: Immersion heater.
1F .....	: With fittings.
2F .....	: Without fittings.
3F .....	: With fittings and another outlet connection.
AMI .....	: With mixing valve.
SMI .....	: Without mixing valve.
PUISS .....	: Power of th appliance.
PN .....	: Appliance with normal pression.
LP .....	: Appliance with low pression.
PV .....	: Appliance with variable power.
PF .....	: Appliance with fixed power.

## IDENTIFICATION PLATE

### SERIAL NUMBER

<b>10 Characters :</b>	04 05 125 011	Sequential number Manufacturing day Year of manufacture
<b>11 Characters :</b>	1 95 065004 - 31	Technical number of the appliance Sequential number Year of manufacture
Month of manufacture : from 1 to 9 → Jan. to Sep., O → Oct., N → Nov., D → Dec.		
<b>19 Characters :</b>	08 05 0013199 900640031	Product reference Sequential number
Year of manufacture Month of manufacture		
<b>20 Characters :</b>	3675007 XX 2 07 070 00315	Sequential number Manufacturing day Year of manufacture
Product reference Millenium of manufacture		
<b>21 Characters :</b>	3675007 XX 07 070 0000315	Sequential number Manufacturing day
Product reference Year of manufacture		