

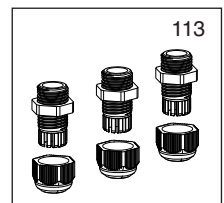
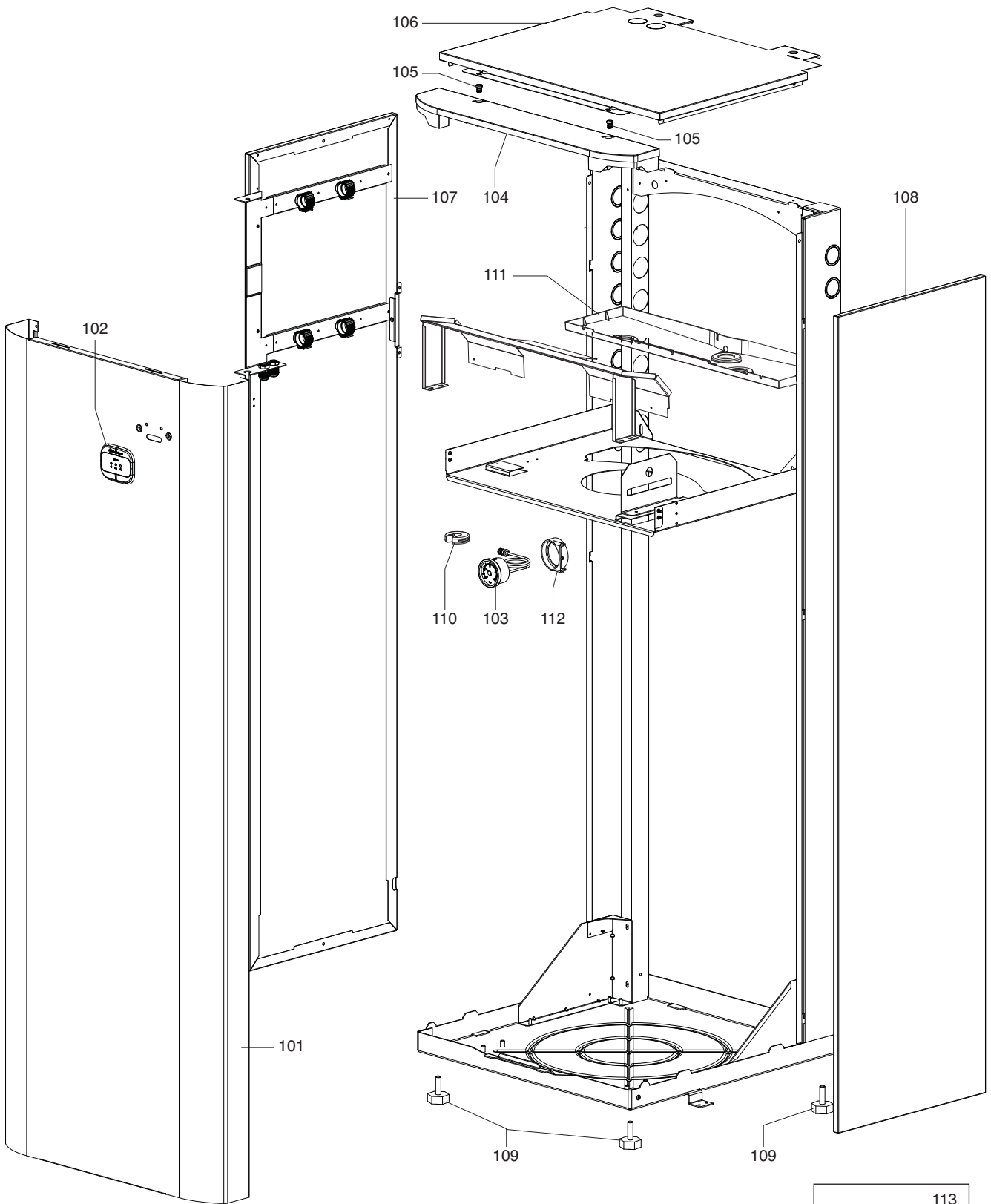
SPARE PARTS EXPLODED VIEW HEAT PUMPS

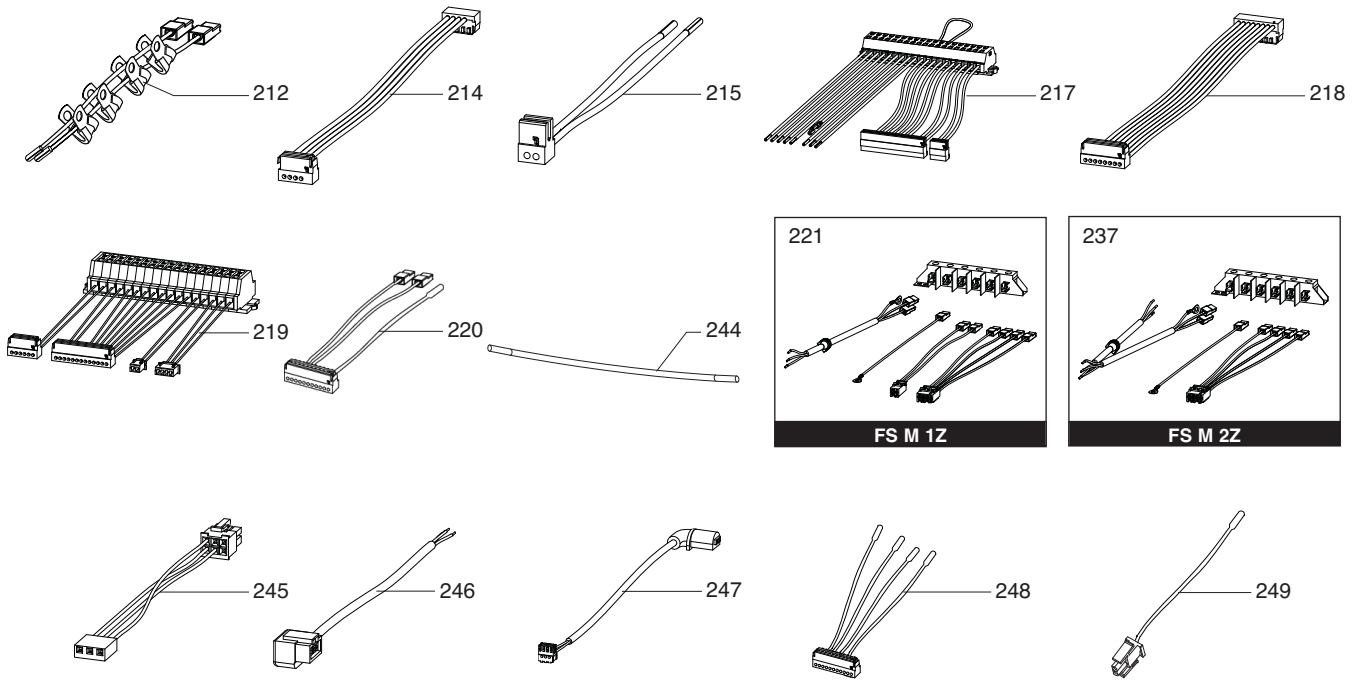
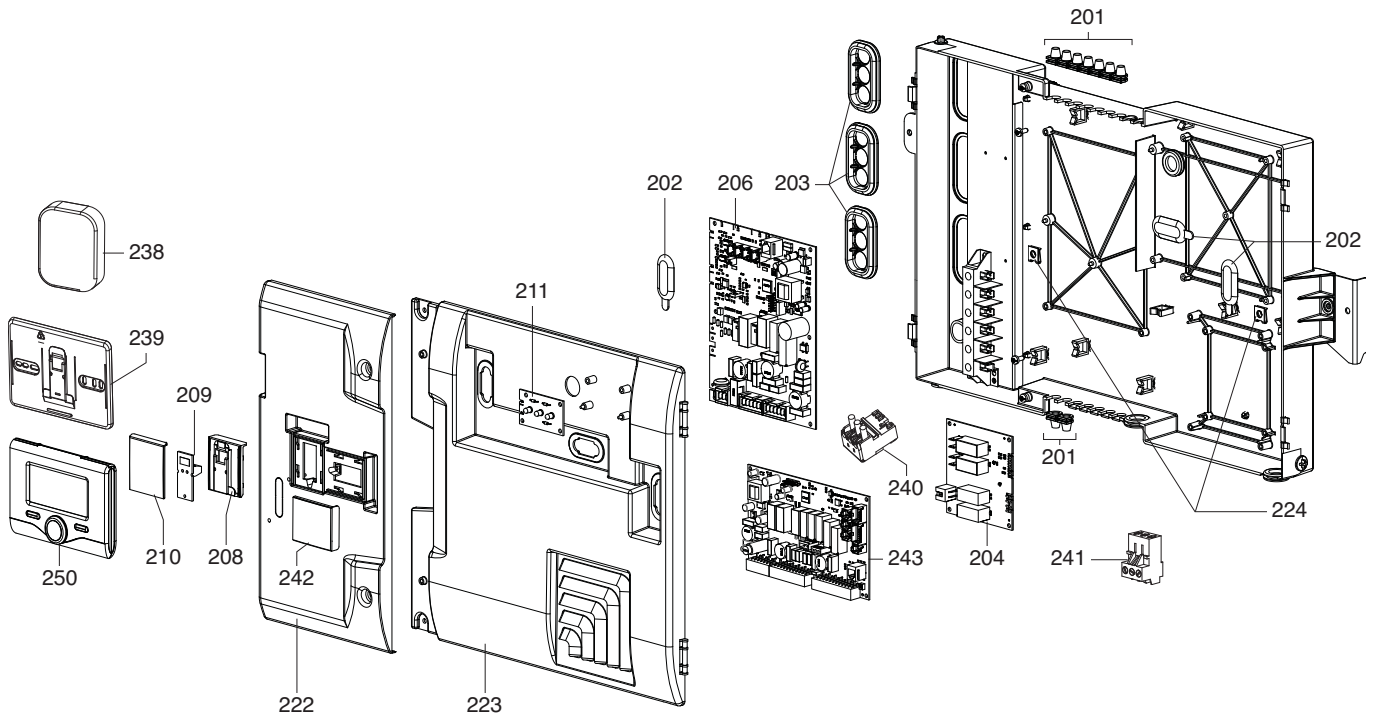
Model

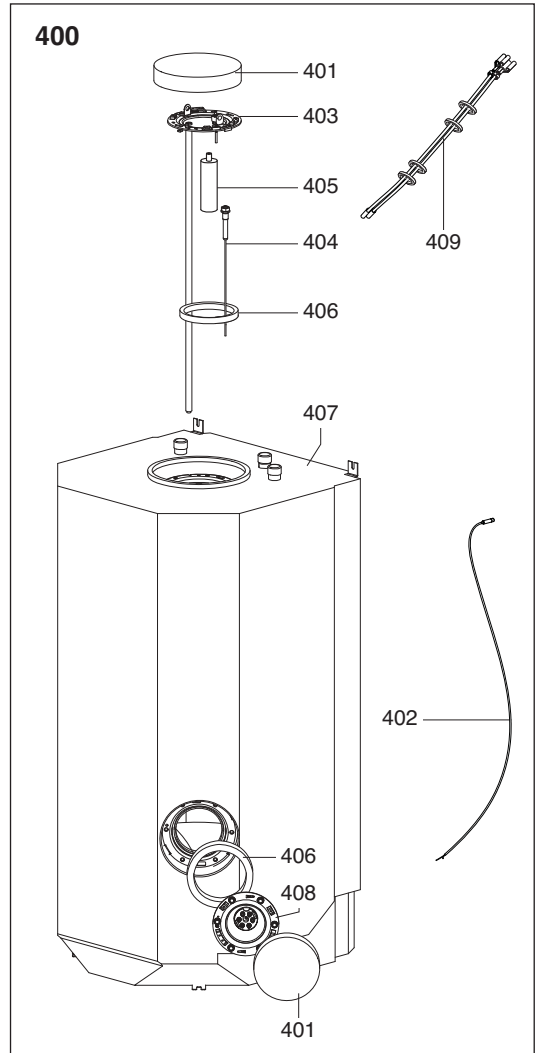
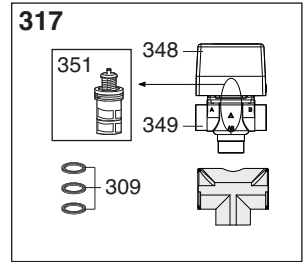
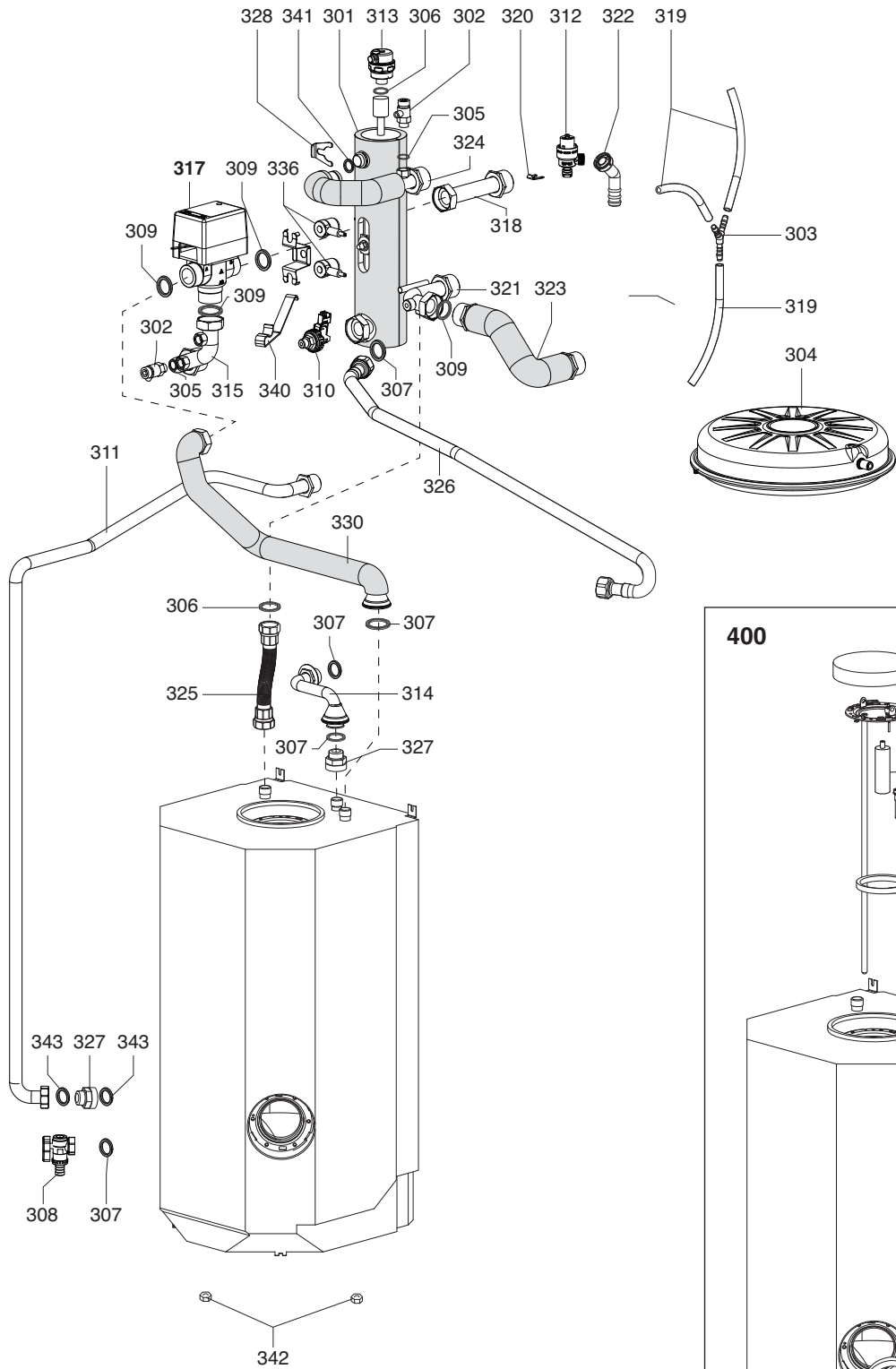
ARIANEXT FSP M

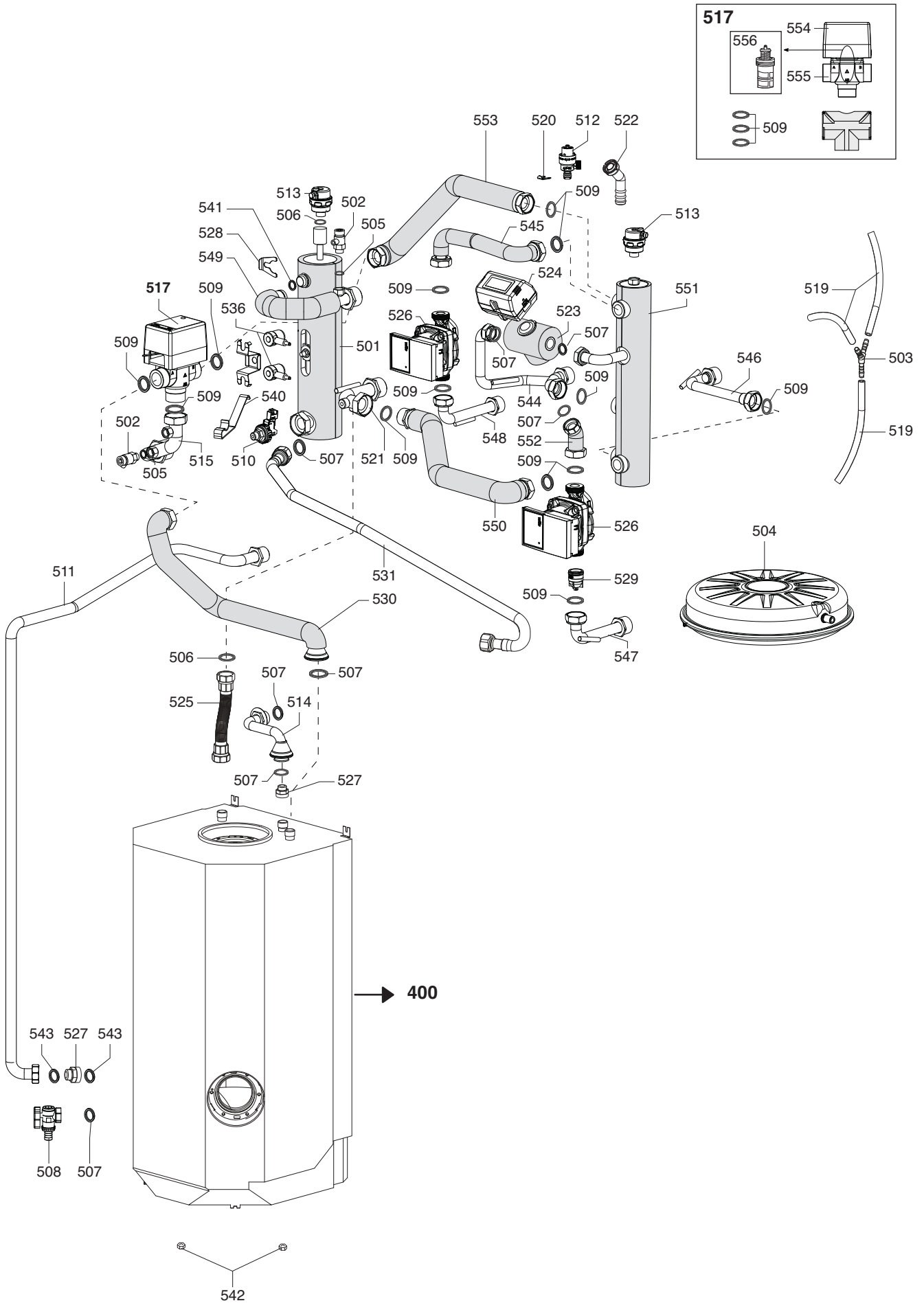
R8217857-08 - 17/05/2021

1	3310515	ARIANEXT FSP M 1Z	09-2017	-
2	3310516	ARIANEXT FSP M 2Z	09-2017	-
Col	Reference	Model type	Begin	End









LIST OF THE ABBREVIATIONS

HW	: Hot water.
CW	: Cold water.
C	: Ceramic resistance (normal heating).
Ca	: Ceramic resistance (accelerated heating)
TP	: Immersion heater.
1F	: With fittings.
2F	: Without fittings.
3F	: With fittings and another outlet connection.
AMI	: With mixing valve.
SMI	: Without mixing valve.
PUISS	: Power of th appliance.
PN	: Appliance with normal pression.
LP	: Appliance with low pression.
PV	: Appliance with variable power.
PF	: Appliance with fixed power.

The indications mentioned on the prices, commercial or technical literature and the scheme are written for your guidance and are available at a given time. The CONSTRUCTOR retains the power to modify the presentation, the form, the size, the conception or the material of the products.
