

SPARE PARTS EXPLODED VIEW GAS-WALL BOILER ATM. BURNER

Model

INOA NOX

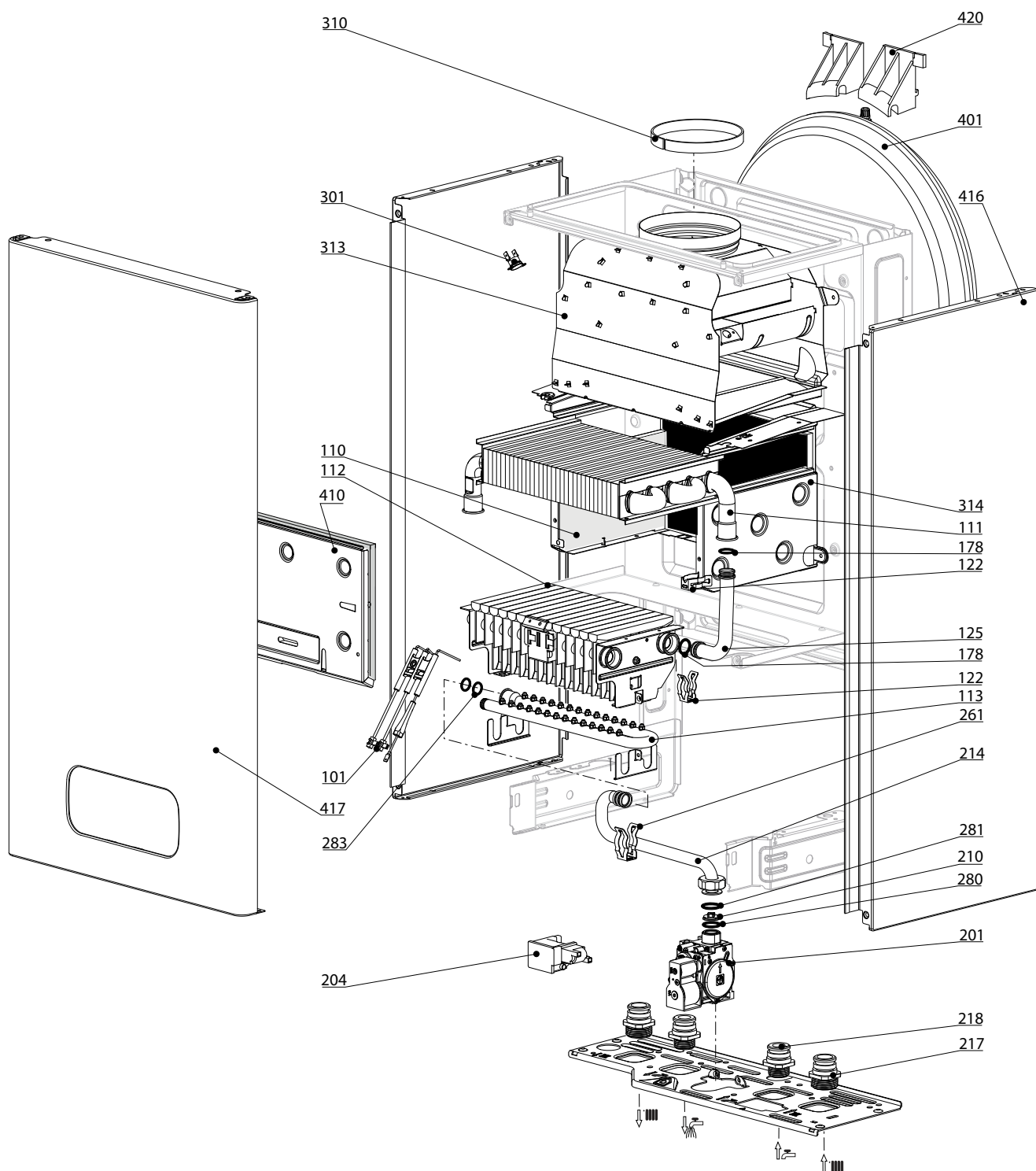
R8203520-04 - 18/01/2019

1	3310636	INOA NOX 25 CF FR	08-2018	-
1	3310634	INOA NOX SHUNT 25 CF FR	08-2018	-
2	3310635	INOA NOX 24 VMC FR	08-2018	-
Col	Reference	Model type	Begin	End

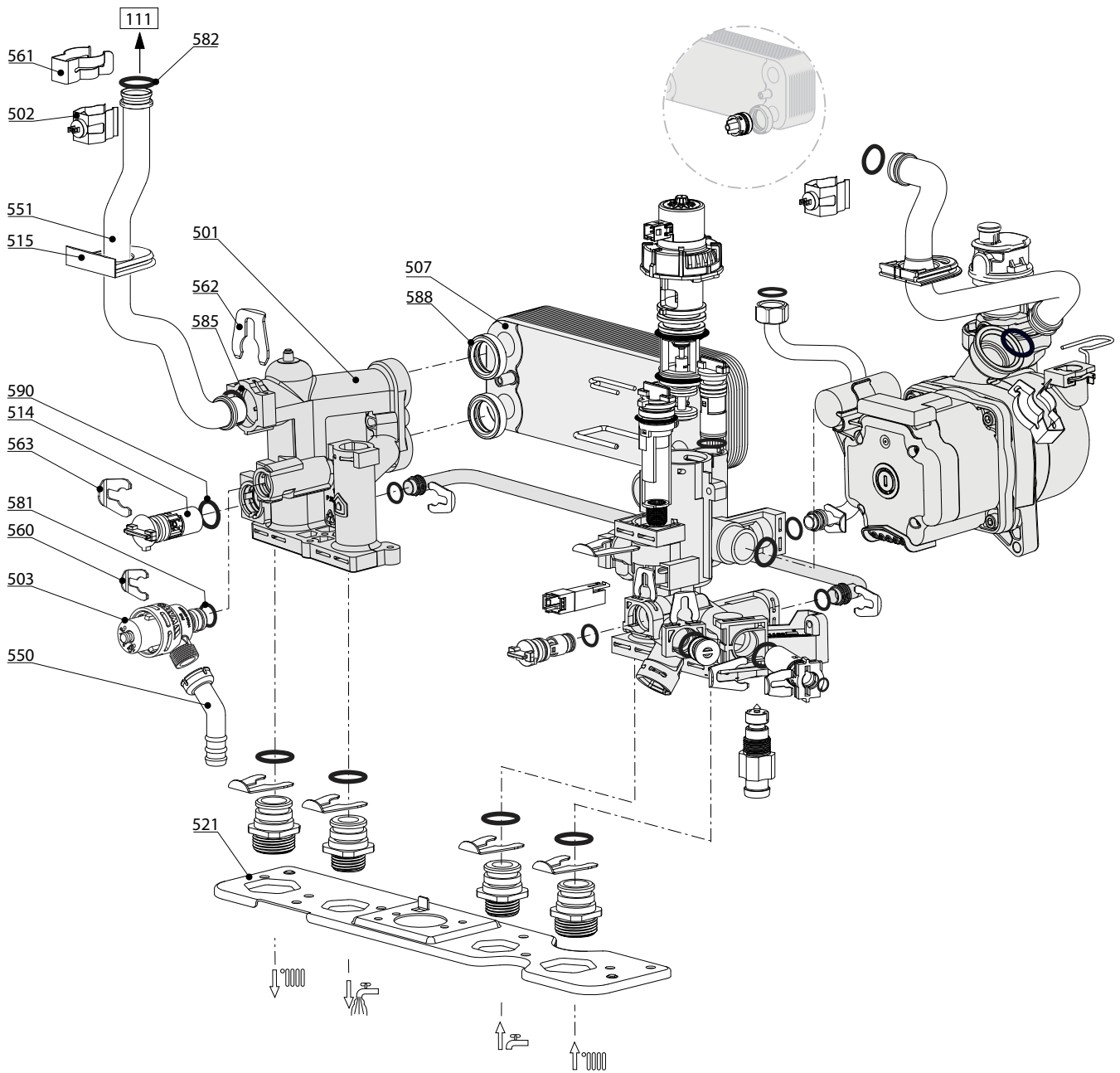
100
200
300
400

INOA NOX

Gas-wall boiler atm. burner

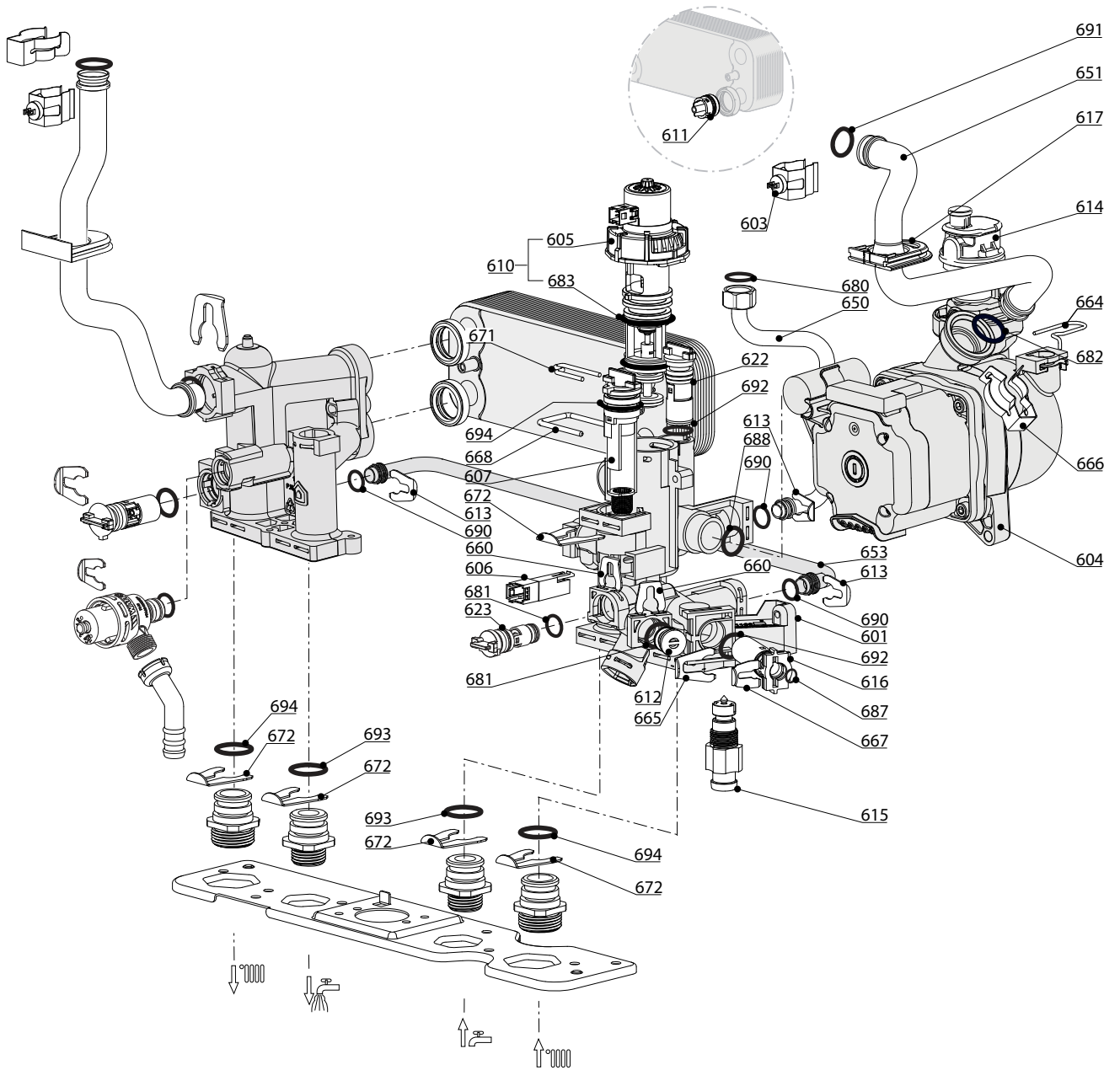


	Description	Manf. Pt. N	Type	INOA NOX CF INOA NOX VMC																		From	to
				1	2	3	4	5	6	7	8	9	10	11	12	13	14	15	16	17	18		
0100	BURNER ASSEMBLY																						
0101	ELECTRODE (IGNITION/IONIZATION)	65117626-01			●	●																	
0110	PANELS (KIT)	65117633			●	●																	
0111	HEAT EXCHANGER	65104247			●	●																	
0112	BURNER 14NP	65117623			●	●																	
0113	GAS MANIFOLD 14 INJ. D:0:86	65117624	G20		●	●																	
0122	CLIP	65116517			●	●																	
0125	PIPE	65117625			●	●																	
0178	O-RING 17.86X2.62	61308091			●	●																	
0200	GAS SECTION																						
0201	GAS VALVE SIT 845 SIGMA	65117618			●	●																	
0204	SPARK GENERATOR	60001888			●	●																	
0210	RESTRICTOR D: 5.9	65117655			●	●																	
0214	GAS TUBE	65117619			●	●																	
0217	UNION (3/4»)	65114929			●	●																	
0218	UNION (1/2»)	65114930			●	●																	
0261	CLIP	65105109			●	●																	
0280	O-RING 14X2	60000903			●	●																	
0281	SHEET GASKET D: 24-18.2-1.5	60022835-01			●	●																	
0283	O-RING 21.89X2.62	65117642			●	●																	
0300	FAN ASSEMBLY																						
0301	OVERHEAT THERMOSTAT 49C	61310767				●																	
	THERMOSTAT 75-65°C	999539			●																		
0310	FLUE SPIGOT D: 125->130	65111183			●	●																	
0313	COMBUSTION CHAMBER 24 CF	65117627			●																		
	COMBUSTION CHAMBER 24 VMC	65117628				●																	
0314	COMBUSTION CHAMBER	65117631			●	●																	
0400	SEALED CASE																						
0401	EXPANSION VESSEL 8L	65104261			●	●																	
0410	PANEL (COMBUSTION CHAMBER)	65117632			●	●																	
0416	SIDE PANELS LEFT + RIGHT - WHITE	65115804			●	●																	
0417	CASE PANEL (FRONT)	60002836-01			●	●																	
0420	EXPANSION VESSEL SUPPORT	65104696			●	●																	



☉→	Description	Manf. Pt. N	Type	INOX CF INOX VMC														From	to
				1	2	3	4	5	6	7	8	9	10	11	12	13	14		

INOX CF INOX VMC	1	2	3	4	5	6	7	8	9	10	11	12	13	14	15	16	17	18	From	to
0500	FLOW GROUP																			
0501	FLOW GROUP	65115933		●	●															05/18
	FLOW GROUP	65117952		●	●														06/18	
0502	TEMPERATURE PROBE + CLIP	990686-01		●	●															
0503	PRESSURE RELIEF VALVE (3 BAR)	61312668		●	●															
0507	SANITARY HEAT EXCHANGER (12 P.)	65116314		●	●															
0514	BY-PASS	65114917		●	●															
0515	GROMMET	60000808		●	●															
0521	HYDRAULIC GROUP SUPPORT	65115797		●	●															
0550	PIPE (SAFETY VALVE OUTLET)	60001955		●	●															
0551	PIPE (C.H. FLOW)	65115763		●	●															
0560	CLIP	65114933		●	●															
0561	CLIP	65116517		●	●															
0562	CLIP D18	65104259		●	●															
0563	CLIP	65114932		●	●															
0581	O-RING 17.96X2.62	65104337		●	●															
0582	O-RING 17.86X2.62	61308091		●	●															
0585	O-RING 17.04X3.53	65104262		●	●															
0588	EXCHANGER GASKET	65114928		●	●															
0590	O-RING 11.91X2.62	65114940		●	●															



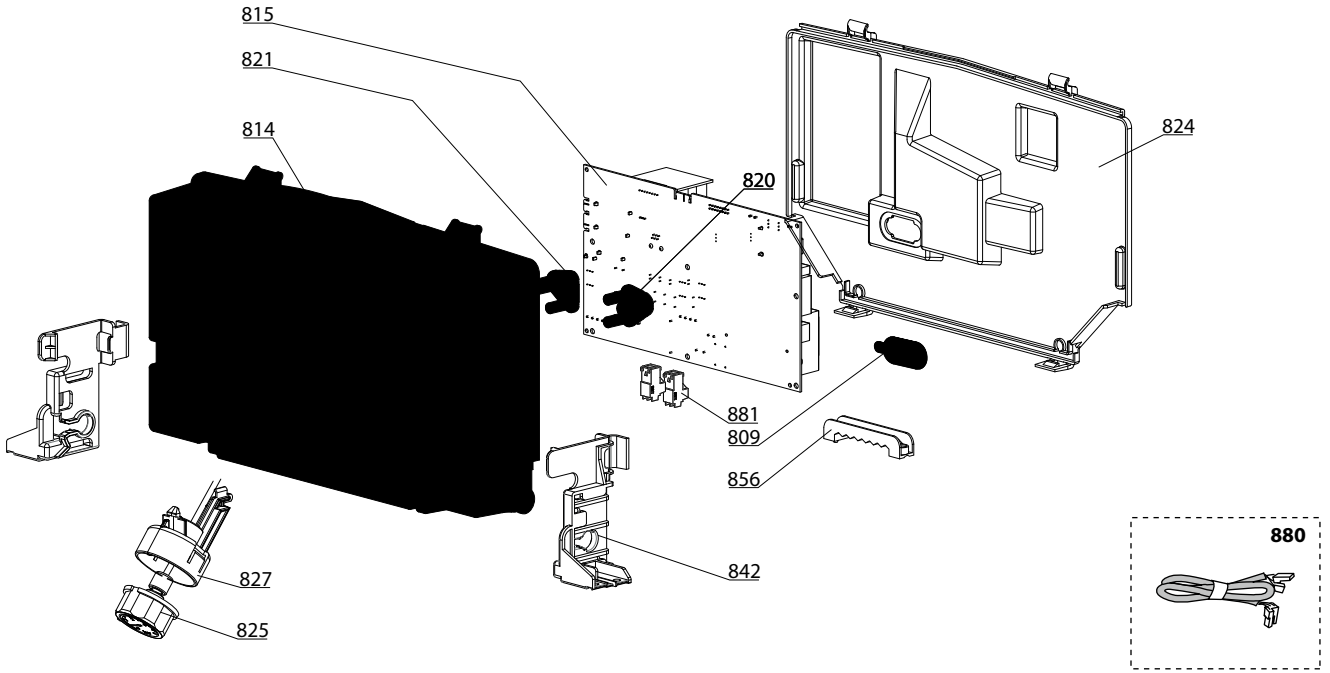
INOA NOX CF
INOA NOX VMC

☉⇒	Description	Manf. Pt. N	Type	INOA NOX CF / INOA NOX VMC																		From	to				
				1	2	3	4	5	6	7	8	9	10	11	12	13	14	15	16	17	18						
0600	RETURN GROUP																										
0601	RETURN GROUP	65116833		●	●																						05/18
	RETURN GROUP	65117954		●	●																					06/18	
0603	TEMPERATURE PROBE + CLIP	990686-01		●	●																						
0604	PUMP 5M PWM TACO	65116908-01	TACO	●	●																						
0605	MOTOR (3-WAY VALVE)	65114936		●	●																						
0606	SENSOR (REED)	65114921-01		●	●																						
0607	FLOW METER	65114919		●	●																						
0610	MOTOR + SPRING 3 WAY VALVE KIT	65114924		●	●																						
0611	RIDUCTORS (KIT)	65116836		●	●																						
0612	PLUG	65114920		●	●																						
0613	CLIP D10	65104260		●	●																						
0614	AUTO AIR VENT - PANASONIC	65116392	PANA.	●	●																						
	AUTO AIR VENT - TACO ENER+	65112086	TACO	●	●																						
0615	DRAIN COCK	65114922		●	●																						
0616	WATER FILTER	65114923		●	●																						
0617	GROMMET	60000808		●	●																						
0622	BY-PASS	65114917		●	●																						
0623	NON-RETURN VALVE	65114918		●	●																						
0650	PIPE (EXPANSION VESSEL)	65115068		●	●																						
0651	PIPE (C.H. RETURN)	65117621		●	●																						
0653	BY-PASS PIPE	65116210		●	●																						05/18
0660	CLIP	65114933		●	●																						
0664	CLIP	65104322		●	●																						
0665	CLIP	65114932		●	●																						
0666	CLIP	60000309		●	●																						
0667	CLIP	65100680		●	●																						
0668	CLIP	65114927		●	●																						
0671	CLIP	65114926		●	●																						
0672	CLIP	65114931		●	●																						
0680	GASKET 3/8»	573521		●	●																						
0681	O-RING 9.9X2.62	65114937		●	●																						
0682	O-RING 17.04X3.53	65104262		●	●																						
0683	O-RING 23.47X2.62	65114939		●	●																						
0687	O-RING 5.7X1.9	61009834-10		●	●																						
0688	O-RING 21.89X2.62	65104320		●	●																						
0690	O-RING 8.9X2.7	61009834-14		●	●																						
0691	O-RING 17.86X2.62	61308091		●	●																						
0692	O-RING 11.91X2.62	65114940		●	●																						
0693	O-RING 15,88X2.62	65114941		●	●																						
0694	O-RING 17.13X2.62	65114938		●	●																						

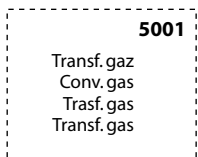
INOA NOX

Gas-wall boiler atm. burner

800



5000



☉⇒	Description	Manf. Pt. N	Type	INOA NOX CF INOA NOX VMC																		From	to
				1	2	3	4	5	6	7	8	9	10	11	12	13	14	15	16	17	18		

31

0800	ELECTRICAL BOX			1	2	3	4	5	6	7	8	9	10	11	12	13	14	15	16	17	18	From	to
0809	GROMMET (REGULATION ACCESS)	998382		●	●																		
0814	CONTROL PANEL COVER (FRONT)	60002837-01		●	●																		
0815	P.C.B. (MAIN)	65115782-01		●	●																		
0820	PUSH BUTTON (R.H.SIDE)	65153181		●	●																		
0821	PUSH BUTTON (L.H.SIDE)	65153180		●	●																		
0824	CONTROL PANEL COVER (REAR)	65115820		●	●																		
0825	PRESSURE GAUGE 0-4 BAR D27MM KPL.	65114200		●	●																		
0827	SUPPORT (PRESSURE GAUGE)	65115809		●	●																		
0842	SIDE COVER SUPPORT	65115811		●	●																		
0856	CABLE CLAMP	65103377		●	●																		
0880	3-WAY VALVE CABLE	65117622		●	●																		
	CABLE (IONIZATION ELECTRODE)	60001883		●	●																		
	EARTH WIRE	65104286		●	●																		
	FEEDER 240V	60001619		●	●																		
	NTC - PRES SWITCH CABLE	65115789		●																			
	NTC - PRES SWITCH CABLE	65117656		●																			
	PUMP CABLE TACO	65117069	TACO	●	●																		
	PUMP CABLE 1V PANA.	65115788	PANA.	●	●																		
0881	CONNECTOR 2P	65111933		●	●																		
	CONNECTOR 3P (x5)	65111934-01		●	●																		
5000	ACCESSORIES																						
5001	BURNER JET FULL KIT G20	65118068		●	●																		
	BURNER JET FULL KIT G31	65118069		●																			
	KIT SHUNT	65118073		●																			

LIST OF THE ABBREVIATIONS

HW	: Hot water.
CW	: Cold water.
C	: Ceramic resistance (normal heating).
Ca	: Ceramic resistance (accelerated heating)
TP	: Immersion heater.
1F	: With fittings.
2F	: Without fittings.
3F	: With fittings and another outlet connection.
AMI	: With mixing valve.
SMI	: Without mixing valve.
PUISS	: Power of th appliance.
PN	: Appliance with normal pression.
LP	: Appliance with low pression.
PV	: Appliance with variable power.
PF	: Appliance with fixed power.

IDENTIFICATION PLATE

SERIAL NUMBER

10 Characters :	04 05 125 011	
		Sequential number
		Manufacturing day
		Year of manufacture
11 Characters :	1 95 065004 - 31	
Month of manufacture :		Technical number of the appliance
from 1 to 9 → Jan. to Sep.,		Sequential number
O → Oct., N → Nov.,		Year of manufacture
D → Dec.		
19 Characters :	08 05 0013199 900640031	
Year of manufacture		Product reference
Month of manufacture		Sequential number
20 Characters :	3675007 XX 2 07 070 00315	
Product reference		Sequential number
Millenium of manufacture		Manufacturing day
		Year of manufacture
21 Characters :	3675007 XX 07 070 0000315	
Product reference		Sequential number
Year of manufacture		Manufacturing day