

SPARE PARTS EXPLODED VIEW GAS WALL BOILERS

Model

CALYDRA GREEN

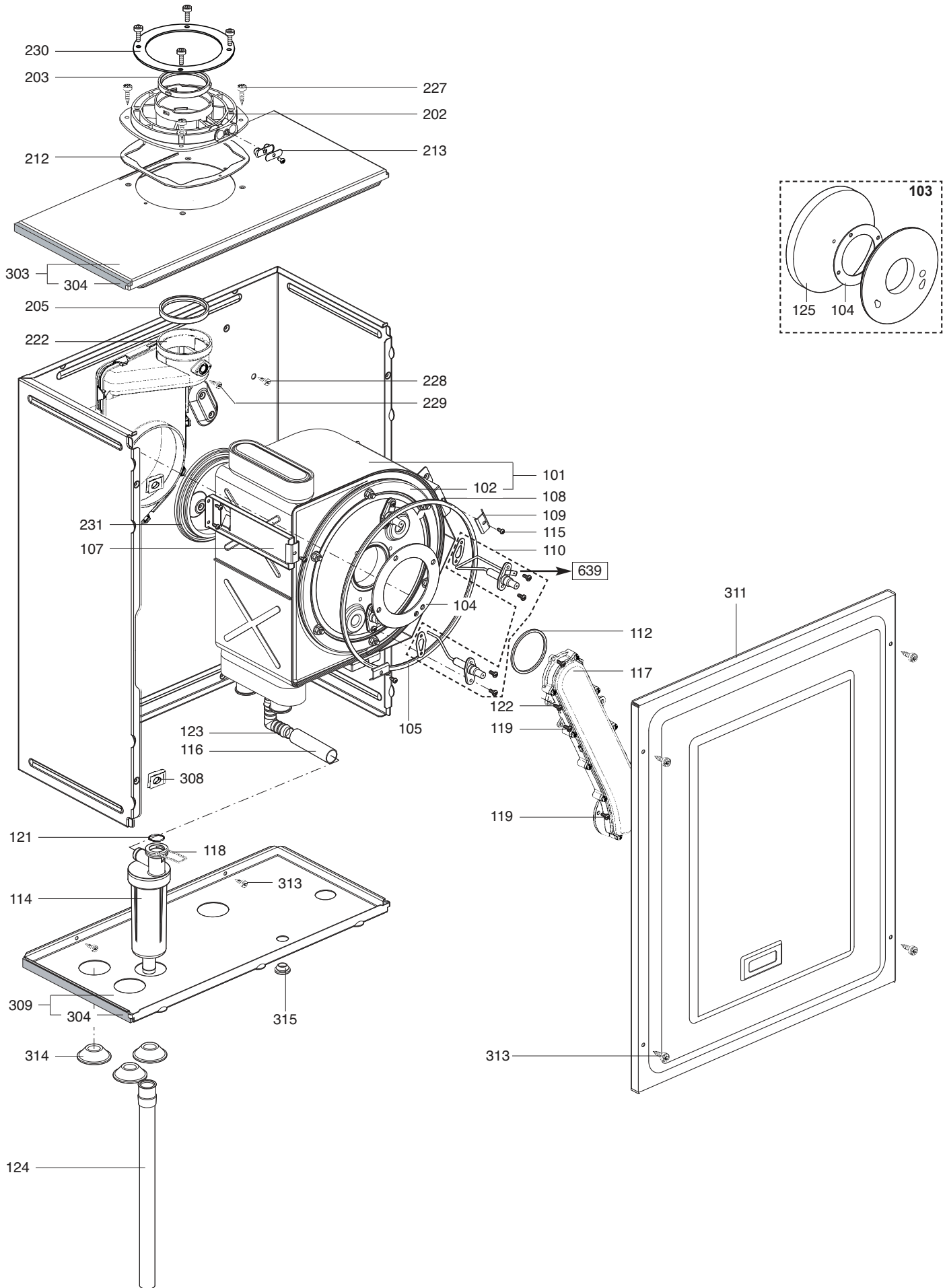
R8202648-07 - 21/03/2012

1	200 006 823 037	CALYDRA GREEN 24 NAT	01/03	12/07
2	200 006 826 037	CALYDRA GREEN 30 NAT	01/03	12/07
Col	Reference	Model type	Begin	End

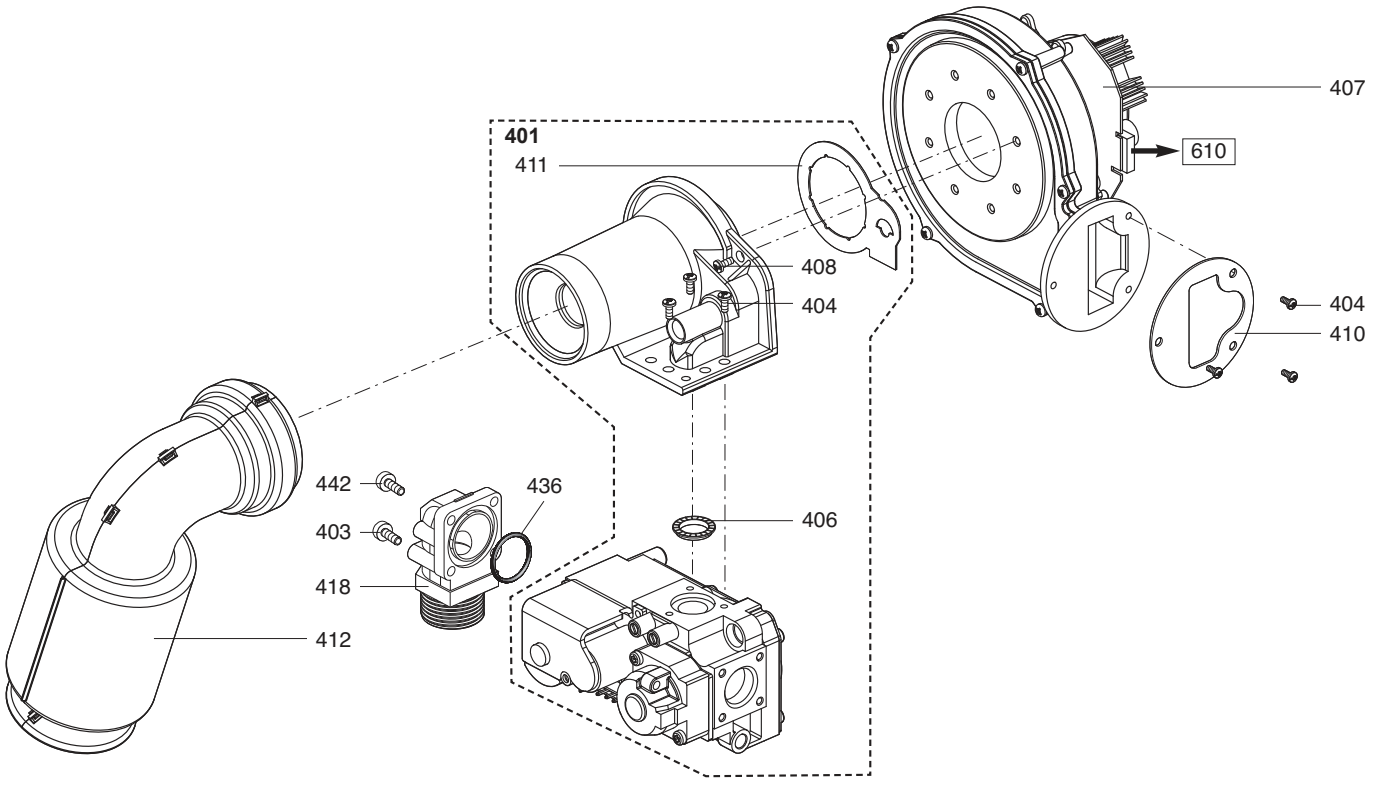
100
200
300

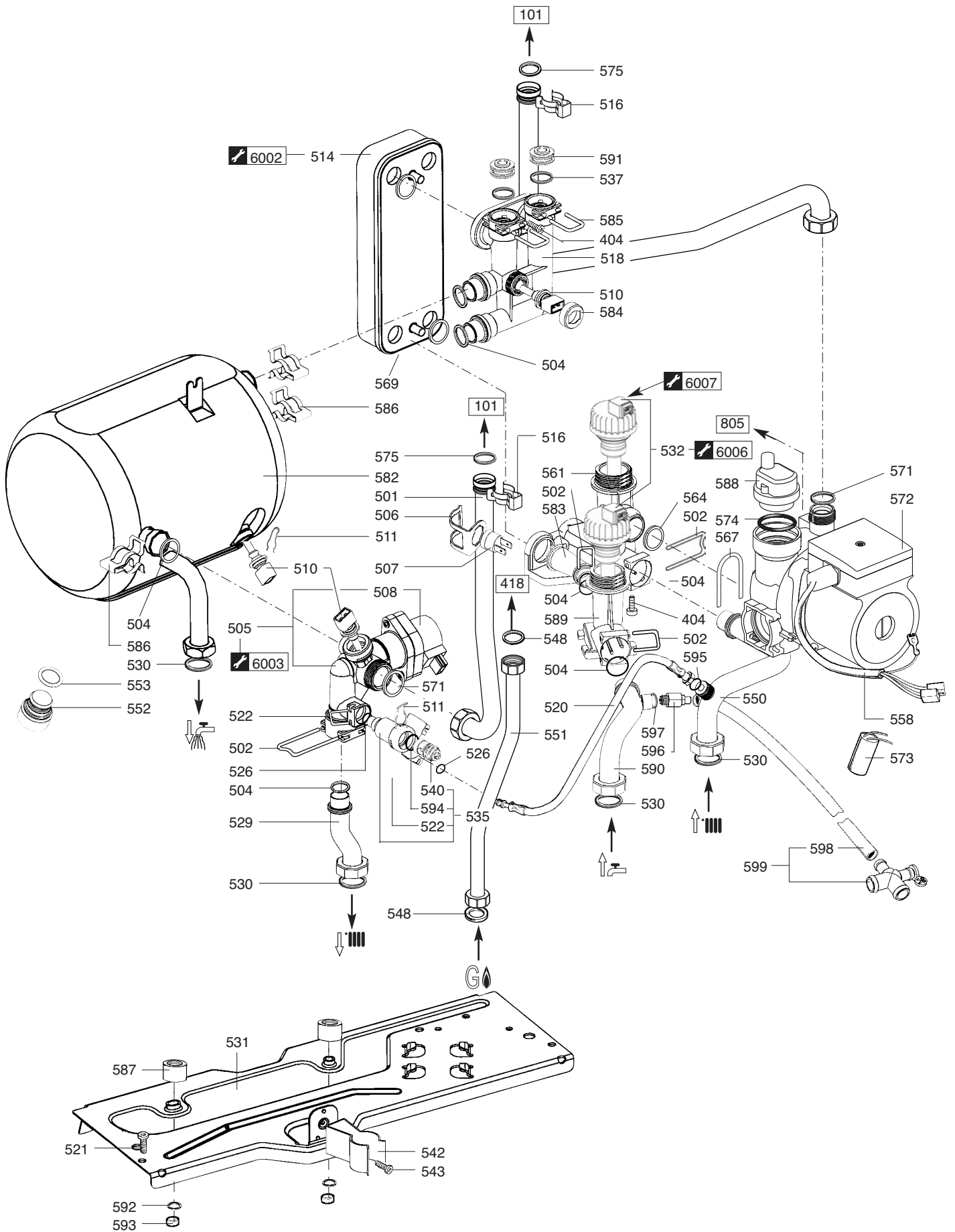
CALYDRA GREEN

Domestic Gas Boilers



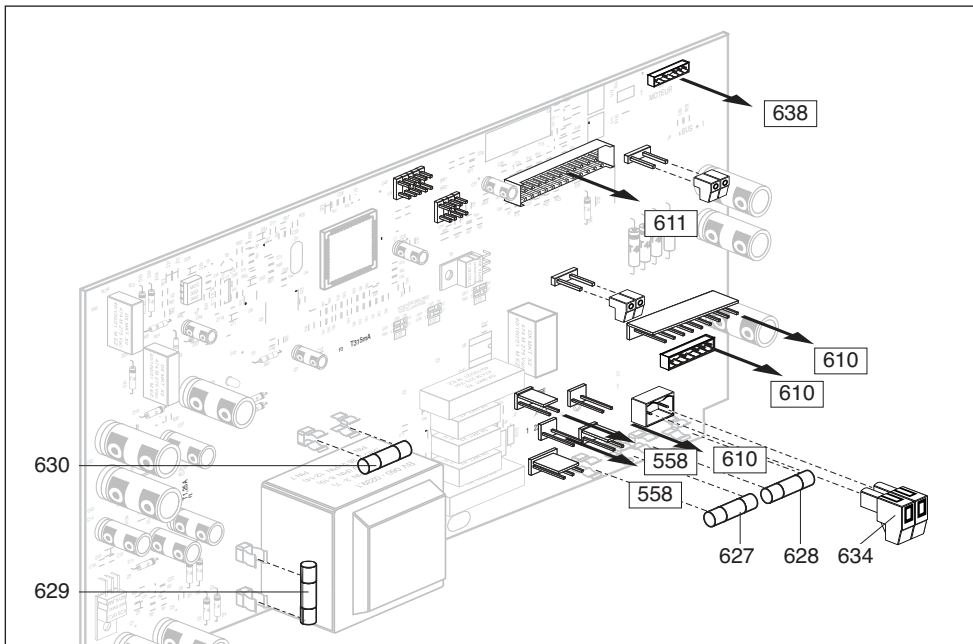
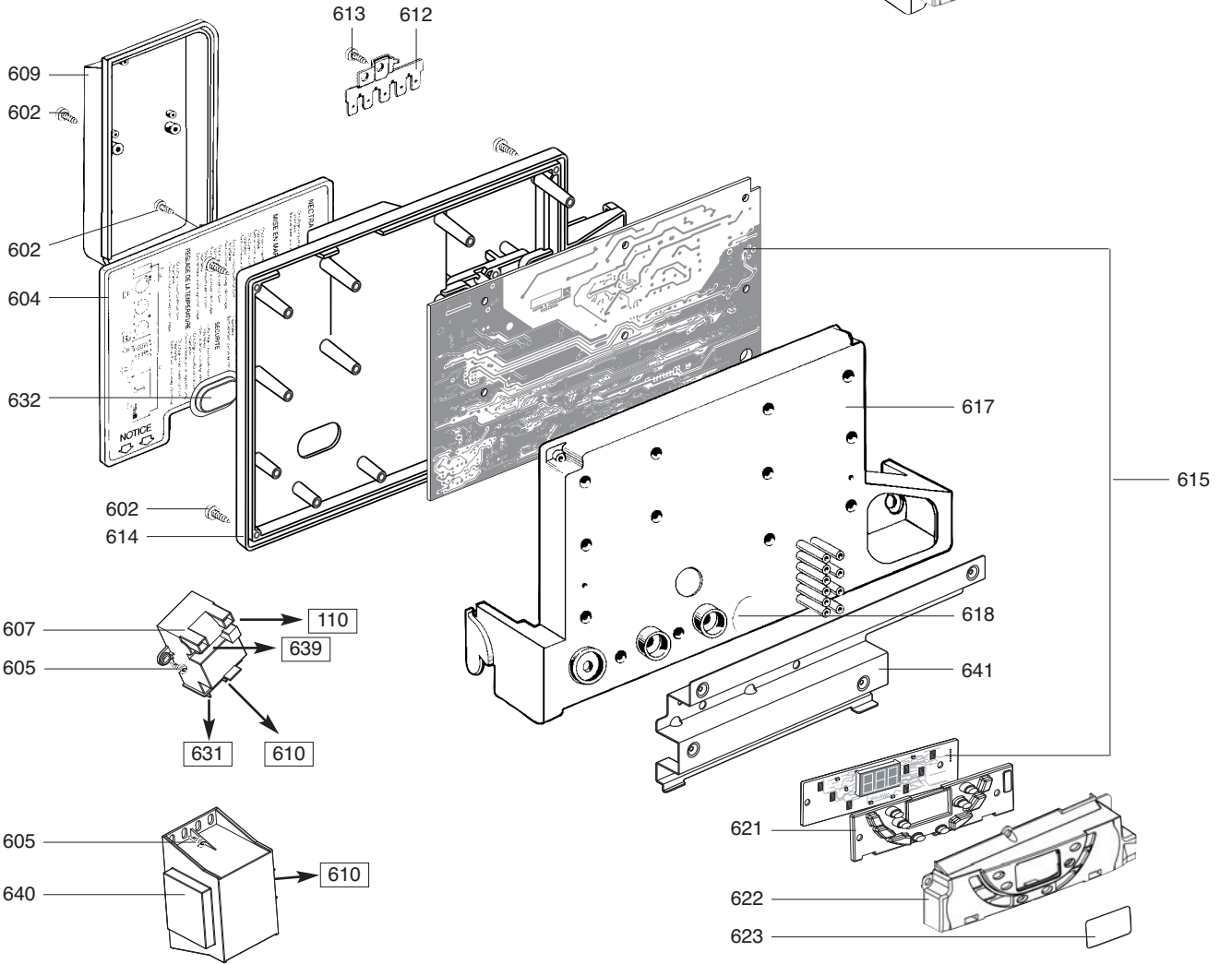
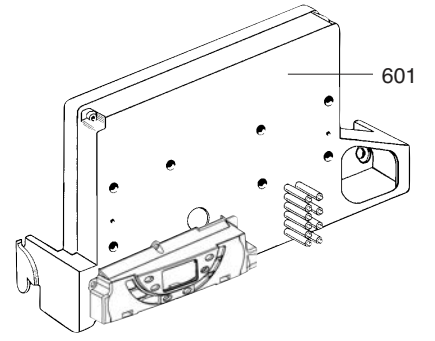
☉	Description	Manf. Pt. N	Type	CALYDRA GREEN 24 FF CALYDRA GREEN 30 FF																	
				1	2	3	4	5	6	7	8	9	10	11	12	13	14	15	16	17	18
0100	BURNER ASSEMBLY																				
0101	BURNER 24KW	61306074		•																	
	BURNER	61309327			•																
0102	DOOR ASSY 30KW	61308491			•																
	DOOR ASSY 24KW	61308492		•																	
0103	COMBUSTION CHAMBER LINING KIT	60000079		•	•																
0104	GASKET D:110-75-2	61309658		•	•																
0105	DOOR GASKET	60001104		•	•																
0107	FIXING BRACKET	61306181		•																	
	FIXING BRACKET	61309237			•																
0108	FIXING BRACKET	61306180		•																	
	FIXING BRACKET	61309238			•																
0109	HOOKING BRACKET	61306448		•	•																
0110	ELECTRODES	61309624		•	•																
0112	WASHER D:65-59-2.6	61307588		•	•																
0114	TRAP	61306078		•	•																
0115	TAPPING SCREW CBLX D: 4.2-9.5	61010125		•	•																
0116	SILICONE TUBE D: 21x2.5 L: 1M	60081265-02		•	•																
0117	DUCT FIRST SECTION	61306026		•	•																
0118	CLIP	61306070		•	•																
0119	SCREW HX M 5-12	61010131		•	•																
0121	O-RING D: 17.76-1.78	61308092		•	•																
0122	SCREW D: 5-14	61308782		•	•																
0123	BARBED NIPLE 90DEG	61309373		•	•																
0124	TUBE PVC D:21 L:500	61311628		•	•																
0125	PANEL (INSULATION - REAR)	65103361		•	•																
0200	FAN ASSEMBLY																				
0202	FLUE CONNECTION	61309242		•	•														10/04		
	FLUE CONNECTION	61315055		•	•														11/04		
0203	GASKET D:66-58.4-9	61310088		•	•																
0205	GASKET D:66.6	61306029		•	•																
0212	GASKET	61300262		•	•																
0213	PLUG KIT	61306698		•	•																
0222	OUTGOING FLUE BOX	61306028		•	•																
0227	TAPPING SCREW CBLX D:4.2-12.5	61010847		•	•																
0228	TAPPING SCREW CBLX D: 6.3-13	61010648		•	•																
0229	TAPPING SCREW CBLX D: 4.2-9.5	61010125		•	•																
0230	GASKET (/ Flue bend turret)	61300258		•	•																
0231	GASKET D:129.4	61306030		•	•																
0300	SEALED CASE																				
0303	TOP PANEL BOX	61305438		•	•																
0304	FOAM SEAL 12.5x5 L: 2.5M	60081273		•	•																
0308	SPIRE CLIP	60057488		•	•																
0309	BASE - BOX	61307613		•	•																
0311	CASE COVER	60081851		•																	
	CASE COVER	61400102			•																
0313	TAPPING SCREW CBLX D:4.2-12.5	61010847		•	•																
0314	GROMMET	61010109		•	•																
0315	GROMMET	60039017		•	•																



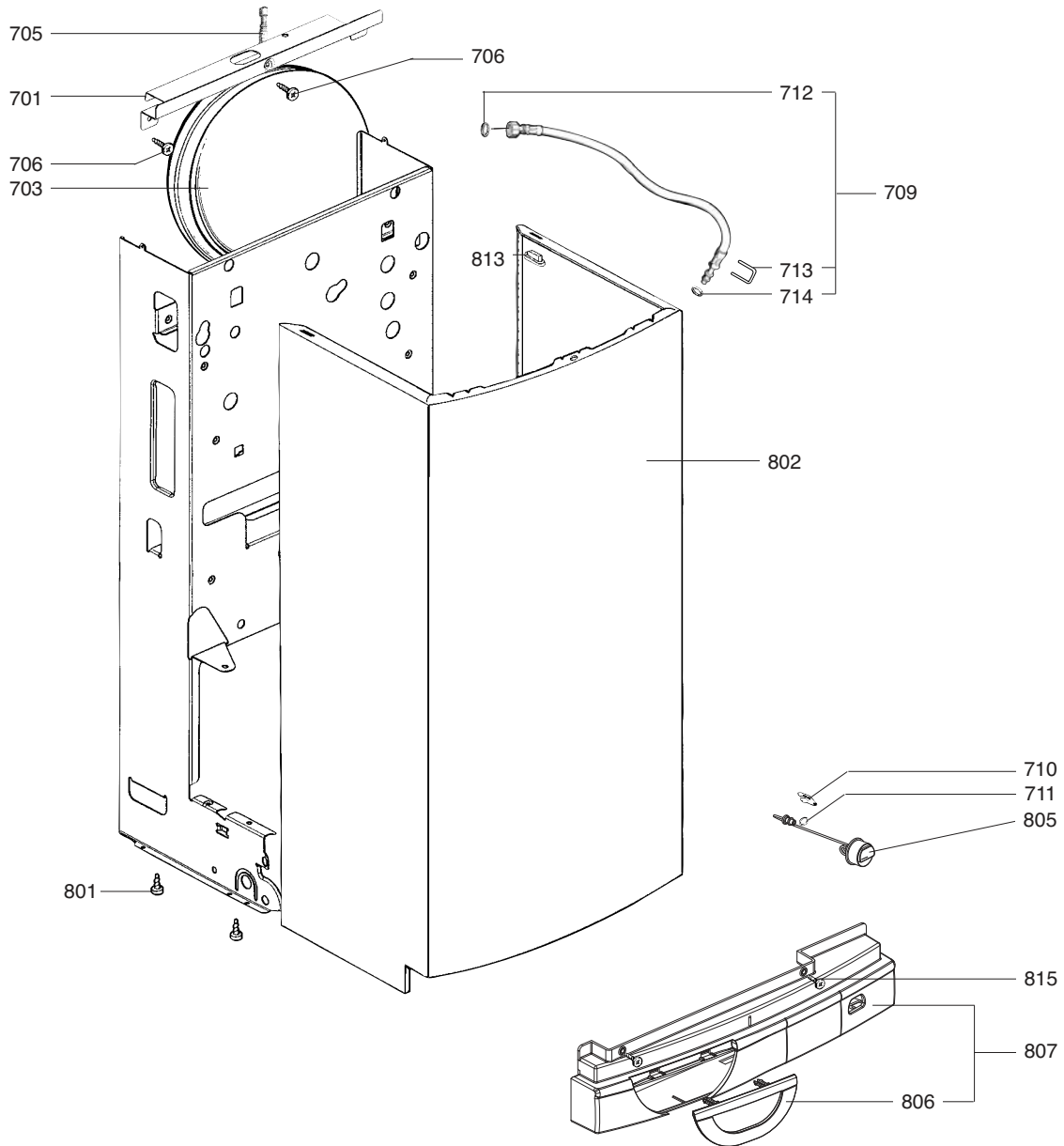


☞	Description	Manf. Pt. N	Type		
				1 2 3 4 5 6 7 8 9 10 11 12 13 14 15 16 17 18	<div style="border: 1px solid black; padding: 2px; width: fit-content; margin: 0 auto;">31</div>

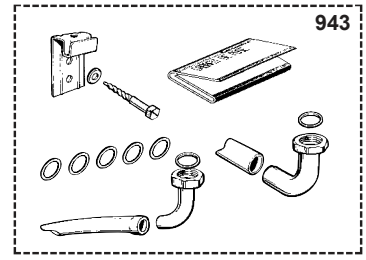
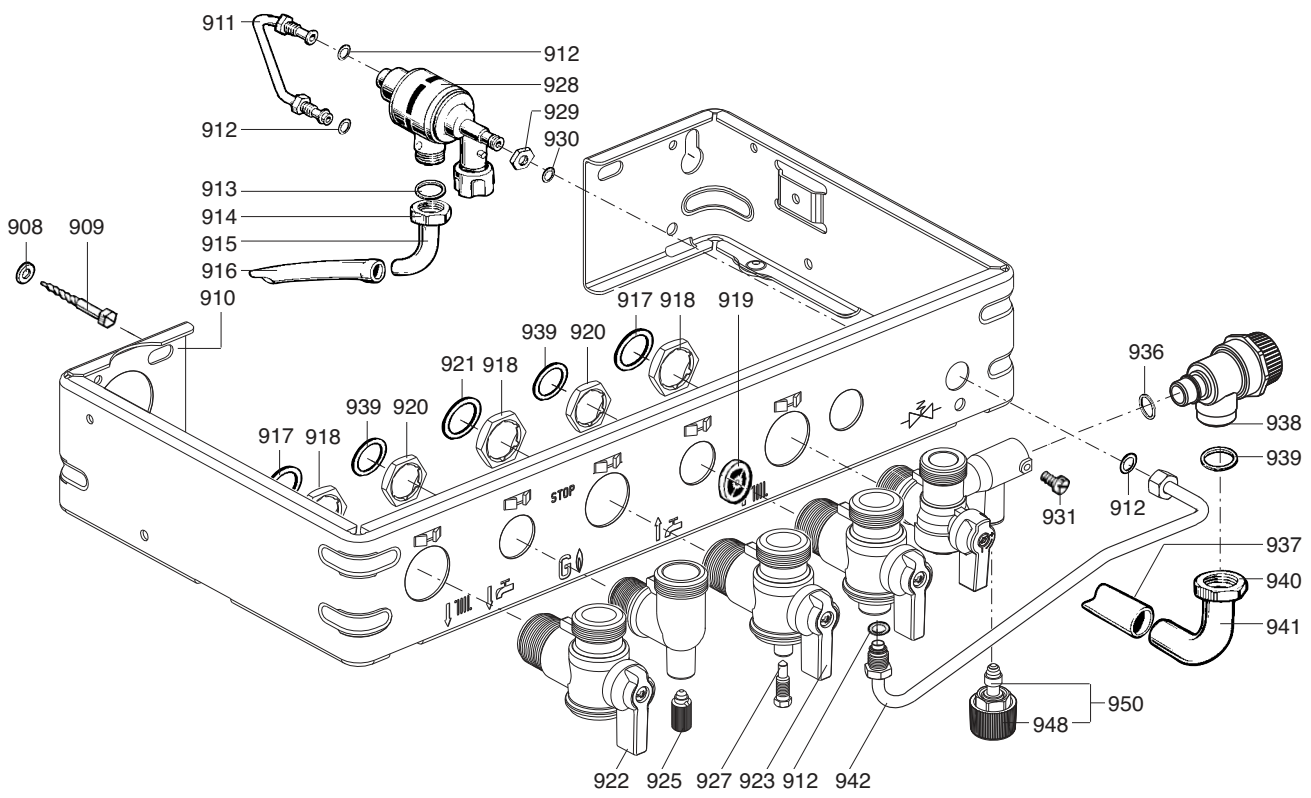
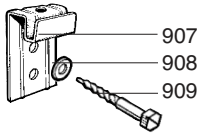
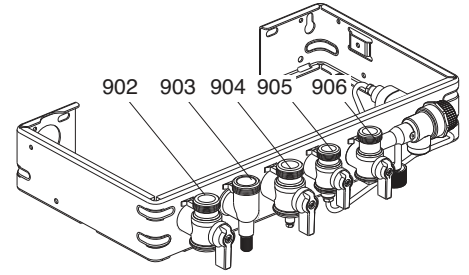
0500	HYDRAULIC BLOCK				
0501	TUBE-EXCHAN TO THREE-WAY VALVE	61310175		• •	
0502	HEATING CONNECTION PIN	61002399		• •	
0504	O-RING D: 17-4	60024164-51		• •	
0505	THREE-WAY VALVE	60081839		• •	
0506	CLIP	61010050		• •	
0507	OVERHEAT THERMOSTAT 100C	61010572		• •	
0508	MOTOR - THREE-WAY VALVE	60081953		• •	
0510	THERMISTOR TEMP. SENSOR	61000733		• •	
0511	TEMPERATURE SENSOR CLIP	61002083		• •	
0514	WATER / WATER HEAT EXCHANGER 16	61302409-01		• •	
0516	CLIP	61307589		• •	
0518	TOP INTERFACE SYSTEM	61014228		• •	
0520	FLEXIBLE PIPE	61012952		• •	
0521	TAPPING SCREW CBLX D: 6.3-13	61010648		• •	
0522	CLIP	61010005		• •	
0526	O-RING D: 8.9-2.7	61009834-14		• •	
0529	HEATING FLOW TUBE	61014220		• •	
0530	SHEET GASKET D: 24-17-1.5	60061855-19		• •	
0531	HYDRAULIC PLATE	61014214		• •	
0532	WATER THROTTLE	60081471		• •	
0535	TAP BODY	61012963		• •	
0537	O-RING D: 13.6-2.7	60024164-18		• •	
0540	SPINDLE	61012946		• •	
0542	CLIP	60079845		• •	
0543	TAPPING SCREW CBLX D: 4.2-9.5	61010125		• •	
0548	SHEET GASKET D: 24-18.2-1.5	60022835-01		• •	
0550	HEATING RETURN TUBE	61014218		• •	
0551	GAS TUBE	61307590		•	
	GAS TUBE	61309556		•	
0552	PLUG	61015245		• •	
0553	O-RING D: 8.9-1.9	60024164-13		• •	
0558	PUMP LEAD (2 SPEEDS)	61306995		• •	
0561	BOTTOM INTERFACE SYSTEM	61014172		• •	
0564	O-RING D: 24.6-3.6	61009834-30		• •	
0565	HEATING FILTER	61305560		• •	
0567	CLIP	60030898-03		• •	
0569	EXCHANGER GASKET	65104334		• •	
0571	O-RING D: 16-1.9	61009833-37		• •	
0572	PUMP + AIR SEPARATOR 15/50	61301964		• •	
	PUMP + AIR SEPARATOR 15/60	61303461		• •	
0573	CAPACITOR	61000652-10		• •	
0574	GASKET KIT	61304618		• •	
0575	O-RING D: 17.86-2.62	61308091		• •	
0582	CYLINDER 6L	61012790		• •	
0583	LINKING TUBE	61012808		• •	
0584	NUT	61012886		• •	
0585	PIN	61012909-02		• •	
0586	CLIP	61012983		• •	
0587	WASHER D: 12.5-5.2-5	61015757		• •	
0588	AIR SEPARATOR HEAD ASSEMBLY	61304608		• •	
0589	STOPPED WATER THROTTLE BODY	61012743		• •	
0590	COLD WATER TUBE	61014983		• •	08/04
	COLD WATER TUBE	61315414		• •	09/04
0591	PLUG	61002490		• •	
0592	WASHER D: 12-6.2-1.2	60007059-03		• •	
0593	NUT H M 6-1	60026501-03		• •	
0594	O-RING D: 2.7-10.5	61009834-15		• •	
0595	SHEET GASKET D: 10.5-6.2-1.5	60022831-07		• •	
0596	PRESSURE RELIEF VALVE DRAIN	61014984		• •	
0597	SHEET GASKET D: 13.9-10.4-1.5	60061853-02		• •	
0598	TUBE PVC D: 9x12 L: 1M	60081266		• •	
0599	CONNECTION	61020242		• •	



☉⇒	Description	Manf. Pt. N	Type	CALYDRA GREEN 24 FF CALYDRA GREEN 30 FF																	
				1	2	3	4	5	6	7	8	9	10	11	12	13	14	15	16	17	18
0600	ELECTRICAL BOX																				
0601	ELECTRICAL BOX	61311319		•	•																
0602	SCREW FX90 L:16	61020510		•	•																
0604	INSTRUCTIONS SUPPORT	61307594		•	•																
0605	TAPPING SCREW CBLX D: 4.2-9.5	61010125		•	•																
0607	IGNITER	61002105-20		•	•																
0609	CONNECTOR COVER	61010014		•	•																
0610	FAN-IGNITER CABLE	61309837		•	•																
0611	WIRE ASSEMBLY	61309454		•	•																
0612	CONNECTION STRIP	61010152		•	•																
0613	TAPPING SCREW TCBL D:4 L:10	61020509		•	•																
0614	ELECTRICAL BOX COVER	61010007		•	•																
0615	PRINTED CIRCUIT BOARDS	61310357		•	•																
0617	ELECTRIC BOX PLATE	61010006		•	•																
0618	PLUG	61011316		•	•																
0621	TRANSMITTER OF LEDS	61306012		•	•																
0622	CONTROL PANEL	61306019		•	•																
0623	SIGHT GLASS	61303830		•	•																
0627	FUSE 250V 2A - TEMPORIZED	61003456		•	•																
0628	FUSE 250V 1A - TEMPORIZED	61003634		•	•																
0629	FUSE 250V 1.25A - TEMPORIZED	61003635		•	•																
0630	FUSE 250V 0.315A - TEMPORIZED	61307845		•	•																
0631	EARTH WIRE	61309966		•	•																
0632	CLOSURE PLATE	61304599		•	•																
0634	CONNECTING TERMINAL	61308032		•	•																
0638	CABLE THREE WAY VALVE	61305893		•	•																
0639	ELECTRODE CABLE	61308086		•	•																
0640	TRANSFORMER	61308149		•	•																
0641	SPACER	61308945		•																	

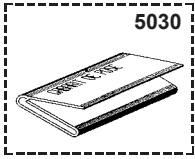
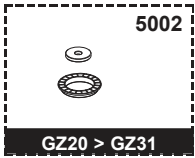


☉⇒	Description	Manf. Pt. N	Type	CALYDRA GREEN 24 FF CALYDRA GREEN 30 FF																	
				1	2	3	4	5	6	7	8	9	10	11	12	13	14	15	16	17	18
0700	CHASSIS																				
0701	TOP STAY PLATE	61010029		•	•																
0703	EXPANSION VESSEL	60056676-06		•	•																
0705	EXPANSION VESSEL AIR HOSE	61010170		•	•																
0706	TAPPING SCREW CBLX D: 6.3-19	61014516		•	•																
0709	FLEXIBLE PIPE KIT	60081824		•	•																
0710	CLIP	61002406		•	•																
0711	O RING D: 5.7-1.9	61009834-10		•	•																
0712	SHEET GASKET D: 12-6-2	61308868		•	•																
0713	CLIP	61010005		•	•																
0714	O-RING D: 8.9-2.7	61009834-14		•	•																
0800	FRONT CASE																				
0801	TAPPING SCREW CBLX D: 4.2-9.5	61010125		•	•																
0802	CASE	61010016		•																	
	CASE	61309874			•																
0805	PRESSURE GAUGE	61303158		•	•																
0806	DOOR	61306020		•	•																
0807	SERIGRA. STRIP (WITHOUT PROG.)	61310207		•	•																
0813	SPACER	61015797		•	•																
0815	SCREW FX90 L:16	61020510		•	•																

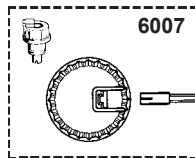
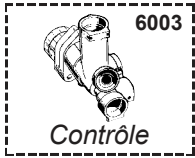
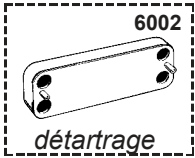


☉⇒	Description	Manf. Pt. N	Type	CALYDRA GREEN 24 FF CALYDRA GREEN 30 FF																	
				1	2	3	4	5	6	7	8	9	10	11	12	13	14	15	16	17	18
0900	JIG PLATE & PIPE FITTING																				
0902	WATER FLOW SERVICE TAP	61020388		•	•																
0903	HOT WATER CONNECTION	61020916		•	•																
0904	GAS SERVICE TAP	61020389		•	•																
0905	COLD WATER TAP	61302612		•	•																
0906	WATER RETURN SERVICE TAP	61302614		•	•																
0907	WALL HOOK	61002497		•	•																
0908	WASHER D: 14.2-7.2-1.2	60005369-03		•	•																
0909	WOOD SCREW	60025617-03		•	•																
0911	DISCONNECTOR TUBE	61010065		•	•																
0912	O-RING D: 6-1	60024164-41		•	•																
0913	SHEET GASKET D: 14.8-10.3-1.5	60061854-11		•	•																
0914	NUT 3/8» THICK: 11	60020746-20		•	•																
0915	CONNECTING PIPE	60001574		•	•																
0916	TUBE PVC D: 9x12 L: 1M	60081266		•	•																
0917	SHEET GASKET D: 24-17-1.5	60061855-19		•	•																
0918	LOCK NUT	60031140		•	•																
0919	FLOW REGULATORE 7L/MIN(DARK GREEN)	61002775-07		•	•																
	FLOW REGULATORE 8L/MIN (WHITE)	61002775-08		•	•																
	FLOW REGULATORE 10L/MIN (BLUE)	61002775-10		•	•																
	FLOW REGULATORE 12L/MIN (RED)	61002775-12		•	•																
	FLOW REGULATORE 14L/MIN (PINK)	61002775-14		•	•																
	FLOW REGULATORE 15L/MIN (PALE GREEN)	61002775-15		•	•																
0920	CONTRODADO H 1/2	60031139		•	•																
0921	SHEET GASKET D: 24-18.2-1.5	60022835-01		•	•																
0922	HAND LEVER BLACK	61302611		•	•																
0923	HAND LEVER YELLOW	61302610		•	•																
0925	DRAIN SCREW ASSY	60081028		•	•																
0927	PRESSURE TEST POINT SCREW	61016378		•	•																
0928	DISCONNECTOR KIT	60081664		•	•																
0929	NUT H M 10-1	60031825-08		•	•																
0930	SHEET GASKET D: 8.5-4.1-1.5	60061852-12		•	•																
0931	GRUB SCREW	61304327		•	•																
0936	O-RING D: 13.6-2.7	61009834-18		•	•																
0937	TUBE PVC D: 13x17 L: 1M	60081266-02		•	•																
0938	PRESSURE RELIEF VALVE	61020933		•	•																
0939	WASHER D: 18.4-12.2-1.5	60061855-14		•	•																
0940	NUT 1/2» THICK: 10	60020747-38		•	•																
0941	VALVE CONNECTING PIPE	60047727		•	•																
0942	FILLER NECK	61020885		•	•																
0943	ACCESSORY KIT	61010324		•	•																
0948	GREY KNOB	61302613		•	•																
0950	TAP HEAD	61314798		•	•														01/04		

5000



6000



LIST OF THE ABBREVIATIONS

HW	: Hot water.
CW	: Cold water.
C	: Ceramic resistance (normal heating).
Ca	: Ceramic resistance (accelerated heating)
TP	: Immersion heater.
1F	: With fittings.
2F	: Without fittings.
3F	: With fittings and another outlet connection.
AMI	: With mixing valve.
SMI	: Without mixing valve.
PUISS	: Power of th appliance.
PN	: Appliance with normal pression.
LP	: Appliance with low pression.
PV	: Appliance with variable power.
PF	: Appliance with fixed power.

IDENTIFICATION PLATE

SERIAL NUMBER

10 Characters :	04 05 125 011	
		Sequential number
		Manufacturing day
		Year of manufacture
11 Characters :	1 95 065004 - 31	
Month of manufacture :		Technical number of the appliance
from 1 to 9 → Jan. to Sep.,		Sequential number
O → Oct., N → Nov.,		Year of manufacture
D → Dec.		
19 Characters :	08 05 0013199 900640031	
Year of manufacture		Product reference
Month of manufacture		Sequential number
20 Characters :	3675007 XX 2 07 070 00315	
Product reference		Sequential number
Millenium of manufacture		Manufacturing day
		Year of manufacture
21 Characters :	3675007 XX 07 070 0000315	
Product reference		Sequential number
Year of manufacture		Manufacturing day

The indications mentioned on the prices, commercial or technical literature and the scheme are written for your guidance and are available at a given time. The CONSTRUCTOR retains the power to modify the presentation, the form, the size, the conception or the material of the products.